

## Assembly Manual / Manuel d'Assemblage Montageanleitung / Montagehandleiding



Scan this QR code or visit [vulyplay.com/install](http://vulyplay.com/install) for digital manual copy.  
 Scannez ce code QR ou visitez [vulyplay.com/install](http://vulyplay.com/install) pour obtenir une version numérique du manuel.  
 Scannen Sie diesen QR-Code oder besuchen Sie [vulyplay.com/install](http://vulyplay.com/install), um eine digitale Version des Handbuchs zu erhalten.  
 Scan deze QR-code of ga naar [vulyplay.com/install](http://vulyplay.com/install) voor een digitale versie van de handleiding.

### ATTENTION!

**SAFETY INFORMATION,  
INSTALLATION, CARE AND  
MAINTENANCE INSTRUCTIONS.  
READ PRIOR TO ASSEMBLING  
AND USING THE PRODUCT.**

Vuly Play cares about safety. Adult supervision is required at all times whilst equipment is in use.

If you have any feedback regarding our instructions, feel free to email [instructions@vulyplay.com](mailto:instructions@vulyplay.com) so that we can continue to improve.

### ATTENTION!

**INFORMATIONS DE SÉCURITÉ,  
INSTRUCTIONS D'INSTALLATION,  
D'ENTRETIEN ET DE MAINTENANCE.  
À LIRE AVANT D'ASSEMBLER ET  
D'UTILISER LE PRODUIT.**

Vuly Play se soucie de votre sécurité. La surveillance d'un adulte est requise en permanence lorsque l'équipement est utilisé.

Si vous avez des commentaires concernant nos instructions, n'hésitez pas à nous écrire à l'adresse suivante [instructions@vulyplay.com](mailto:instructions@vulyplay.com) afin que nous puissions continuer à les améliorer.

### ACHTUNG!

**SICHERHEITSINFORMATIONEN,  
INSTALLATIONS-, PFLEGE- UND  
WARTUNGSANLEITUNGEN. VOR  
DEM ZUSAMMENBAU UND DER  
VERWENDUNG DES PRODUKTS  
UNBEDINGT LESEN.**

Vuly Play legt großen Wert auf Sicherheit. Die Aufsicht durch eine erwachsene Person ist während der Nutzung des Geräts jederzeit erforderlich.

Wenn Sie Feedback zu unseren Anleitungen haben, senden Sie gerne eine E-Mail an [instructions@vulyplay.com](mailto:instructions@vulyplay.com) damit wir uns weiterhin verbessern können.

### LET OP!

**VEILIGHEIDSINFORMATIE,  
INSTALLATIE-, VERZORGINGS-  
EN ONDERHOUDSINSTRUCTIES.  
LEES DIT VOORDAT JE  
HET PRODUCT MONTEERT  
EN GEBRUIKT.**

Vuly Play geeft om veiligheid. Toezicht door een volwassene is altijd vereist zolang de apparatuur in gebruik is.

Heb je opmerkingen over onze instructies? Stuur dan gerust een e-mail naar [instructions@vulyplay.com](mailto:instructions@vulyplay.com) zodat wij ons kunnen blijven verbeteren.

## Contents

Read and follow all instructions in this manual before using your system, and do not use it in any way that is not described in this manual. Responsibility rests with the owner and supervisors of the product to make sure that all users are aware of the practices specified in this manual.

## Contenu

Veillez lire et suivre toutes les instructions de ce manuel avant d'utiliser votre produit, et ne l'utilisez en aucun cas d'une manière qui ne serait pas décrite dans ce document. Il incombe au propriétaire ainsi qu'aux personnes en charge de la surveillance du produit de s'assurer que tous les utilisateurs sont informés des consignes spécifiées dans ce manuel.

## Inhalt

Lesen und befolgen Sie alle Anweisungen in diesem Handbuch, bevor Sie Ihr produkt verwenden, und benutzen Sie es nicht auf eine Weise, die nicht in diesem Handbuch beschrieben ist. Es liegt in der Verantwortung der Eigentümerinnen und Aufsichtspersonen des produkts, sicherzustellen, dass alle Benutzerinnen über die in diesem Handbuch aufgeführten Hinweise informiert sind.

## Inhoud

Lees en volg alle instructies in deze handleiding voordat je het systeem gebruikt, en gebruik het niet op een andere manier dan in deze handleiding is beschreven. De verantwoordelijkheid ligt bij de eigenaar en toezichthouders van het product om ervoor te zorgen dat alle gebruikers op de hoogte zijn van de praktijken die in deze handleiding zijn gespecificeerd.



<b>1.0. Legal Disclaimer &amp; Conditions of Sale</b> .....	<b>2</b>	5.2. Top Frame / Cadre Supérieur / Oberer Rahmen / Bovenframe	36
<b>2.0. Care and Maintenance</b> .....	<b>4</b>	5.3. Side Bay Pro / Baie Latérale Pro / Seitenbucht Pro / Zijbay Pro	42
2.1. General Care.....	4	5.4. H-Frame Pro / Cadres en H Pro / H-Rahmen Pro.....	48
2.2. Rust and Corrosion.....	4	5.5. Frame Assembly / Assemblage du Cadre / Rahmenmontage /	Frameassemblage.....
2.3. Textile Deterioration.....	4	5.6. Cross Brace / Traverse / Kreuzstrebe / Kruisversterking....	69
2.4. Weather Care.....	4	5.7. Anchoring / Ancrage / Verankerung / Verankering.....	74
<b>3.0. Usage and Behaviour</b> .....	<b>5</b>	5.8. Troubleshooting / Dépannage / Fehlerbehebung /	Probleemoplossing.....
3.1. Safe Use Information.....	5		78
3.2. Safe Use Instructions.....	5	<b>6.0. Product Registration</b> .....	<b>80</b>
<b>1.0. Avertissement Légal Et Conditions De Vente</b> .....	<b>6</b>	<b>7.0. Half-Price Replacement Parts</b> .....	<b>80</b>
<b>2.0. Entretien et Maintenance</b> .....	<b>8</b>	<b>8.0. Warranty</b> .....	<b>80</b>
2.1. Entretien Général.....	8	8.1. Warranty Periods.....	80
2.2. Rouille et Corrosion.....	8	8.2. Inclusions.....	80
2.3. Détérioration des Textiles.....	8	8.3. Exclusions.....	80
2.4. Entretien en Fonction des Conditions Météorologiques.....	8	8.4. Warranty Claims.....	81
<b>3.0. Utilisation et Comportement</b> .....	<b>9</b>	8.5. Country-Specific Consumer Law Notices.....	81
3.1. Informations sur une Utilisation en toute Sécurité.....	9	<b>9.0. Missing Parts</b> .....	<b>82</b>
3.2. Instructions pour une Utilisation Sécuritaire.....	9	<b>6.0. Enregistrement du Produit</b> .....	<b>84</b>
<b>1.0. Rechtlicher Hinweis Und Verkaufsbedingungen</b> .....	<b>10</b>	<b>7.0. Pièces de Rechange à Moitié Prix</b> .....	<b>84</b>
<b>2.0. Pflege und Wartung</b> .....	<b>12</b>	<b>8.0. Garantie</b> .....	<b>84</b>
2.1. Allgemeine Pflege.....	12	8.1. Durées de garantie.....	84
2.2. Rost und Korrosion.....	12	8.2. Inclusions.....	84
2.3. Textilverschleiß.....	12	8.3. Exclusions.....	84
2.4. Witterungspflege.....	12	8.4. Réclamations au titre de la garantie.....	85
<b>3.0. Nutzung und Verhalten</b> .....	<b>13</b>	8.5. Législation nationale sur la protection des consommateurs	86
3.1. Sicherheitshinweise zur Nutzung.....	13	<b>9.0. Pièces Manquantes</b> .....	<b>86</b>
3.2. Anweisungen für den sicheren Gebrauch.....	13	<b>6.0. Produktregistrierung</b> .....	<b>88</b>
<b>1.0. Uridische disclaimer &amp; Verkoopvoorwaardene</b> .....	<b>14</b>	<b>7.0. Ersatzteile zum halben Preis</b> .....	<b>88</b>
<b>2.0. Verzorging en onderhoud</b> .....	<b>16</b>	<b>8.0. Garantie</b> .....	<b>88</b>
2.1. Algemene verzorging.....	16	8.1. Garantiefristen.....	88
2.2. Roest en corrosie.....	16	8.2. Eingeschlossene Leistungen.....	88
2.3. Achteruitgang van textiel.....	16	8.3. Ausnahmen.....	88
2.4. Weerbestendigheid.....	16	8.4. Garantieansprüche.....	89
<b>3.0. Gebruik en gedrag</b> .....	<b>17</b>	8.5. Länderspezifisches Verbraucherschutzrecht.....	89
3.1. Veilige gebruiksinformatie.....	17	<b>9.0. Fehlende Teile</b> .....	<b>90</b>
3.2. Instructies voor veilig gebruik.....	17	<b>6.0. Productregistratie</b> .....	<b>92</b>
<b>4.0. Pre-Assembly Tips &amp; Tricks / Astuces et Conseils Avant</b>		<b>7.0. Half-Price vervangingsonderdelen</b> .....	<b>92</b>
<b>l'Assemblage / Tipps &amp; Tricks vor dem Aufbau / Tips &amp; tricks</b>		<b>8.0. Garantie</b> .....	<b>92</b>
<b>vóór de montage</b> .....	<b>18</b>	8.1. Garantieperiodes.....	92
4.1. Warnings / Avertissements / Hinweise / Waarschuwingen ...	18	8.2. Inbegrepen.....	92
4.2. Quest System / Système Quest / Quest-System / Quest-		8.3. Uitsluitingen.....	92
systeem.....	19	8.4. Garantieclaims.....	93
4.3. Uneven Ground / Sol Irrégulier / Unebener Untergrund /		8.5. Land-specifieke kennisgevingen inzake consumentenrecht	94
Ongelijke ondergrond.....	22	<b>9.0. Ontbrekende onderdelen</b> .....	<b>94</b>
4.4. Size Reference / Référence de Taille / Größenangabe /			
Afmetingsreferentie.....	22		
4.5. Fasteners / Fixations / Befestigungselemente /			
Bevestigingsmiddelen.....	23		
4.6. Road Map / Feuille de Route / Bauplan / Routekaart.....	24		
4.7. Parts and Components / Pièces et Composants / Teile und			
Komponenten / Onderdelen en Componenten.....	25		
<b>5.0. Assembly Instructions / Instructions d'Assemblage/</b>			
<b>Montageanleitung / Montage-instructies</b> .....	<b>30</b>		
5.1. Monkey Bar / Barre de Singe / Affenstangen / Apenrak.....	30		



# 1.0. Legal Disclaimer & Conditions of Sale

The following Conditions of Sale apply to and bind the purchasers of any Vuly Play product.

This product is manufactured and distributed exclusively by the following legal entities in their respective regions:

- **Australia:** Vuly Play Group ABN 48 655 129 623  
Address: 95 Ingleston Road, Wakerley, QLD 4154
- **United States:** Vuly USA  
Operations Corp. EIN 99-2968094  
Address: 1087 W. River St., Ste 310, Boise, ID 83702
- **Canada:** Vuly Canada Operations Corp. C1025301  
Address: 1055 W. Georgia St Unit 1500 Vancouver, BC V6E 4N7
- **United Kingdom:** United Kingdom Play Ltd 16492883  
Address: Windsor House Station Court, Station Road, Great Shelford, Cambridge, UK, CB22 5NE
- **Europe:** Europe Play Operations B.V.  
Address: Hofplein 20, Rotterdam, 3032 AC, Netherlands

Each entity is solely responsible for sales, support, product safety, warranty, and compliance in its country. Any legal claims, disputes, or liability matters must be addressed exclusively in the country where the product was purchased and under the laws of that jurisdiction.

## NOTICE TO USER:

Please read this agreement carefully before purchasing or assembling this product. By opening this package or commencing assembly, you acknowledge that you have read, understood, and agreed to these Conditions of Sale. If purchasing on behalf of another person, you agree you are acting as their agent.

## IMPORTANT NOTICE – LEGAL RIGHTS:

Exclusion of liability – waiver of right to sue – assumption of risk – these conditions affect your legal rights. Use of this product involves inherent risks. Users assume full responsibility for safe operation, correct assembly, and maintenance.

All Vuly Play Products are subject to following conditions-

1. To the maximum extent permitted by the law, Vuly Play, its employees, directors and agents will not be liable to the customer, their dependents or legal representatives for damage to property, personal injury or death suffered by the customer because the Product was not manufactured or supplied with due care and skill, the Product is not reasonably fit for its purpose or because of negligence, breach of contract, breach of statute or breach of statutory duty by Vuly Play.
2. Vuly Play, its employees, directors and agents are not liable to the customer, their dependents or legal representatives for personal injury or death suffered by the customer because the Product was not:
  - a. Installed in accordance with the Vuly Play

instruction manual. It is the customer's responsibility to check all boxes to confirm that all components are included and in the correct condition before assembly.

- b. Installed with due care and skill, by the customer or a third party assembly service;
  - c. and in the same condition as when the Product was supplied, due to wear and tear –including, but not limited to, weather damage, deterioration of the fabric, UV deterioration or rust.
3. The customer acknowledges that using the Product can be dangerous, with inherent risks and hazards. As a consequence, personal injury or death may occur. The customer assumes and accepts all such risks, and hereby – to the full extent permitted by law – waives the right of action against, and fully releases Vuly Play for, loss, damages, personal injury or death in any way caused by, or relating to, the customer's participation in such activities.

This includes – without limitation – liability for any negligent or tortuous acts or omission, breach of duty, breach of contract or breach of statutory duty on the part of Vuly Play, its office bearers, directors, employees or agents.

## WARNING!

To reduce the risk of injury while using the system, enforce the following:

- Minimum user age – 6 years.
- Maximum number of users – 4.
- Adult assembly required.
- Adult supervision required at all times.
- Ensure that the system is secured with anchors or bolts before use.
- Exercise caution at heights. Maximum fall height is 2.2 m. / 7ft.
- Three adults required for assembly.
- Strong winds and wild weather can cause products to lift up and move, to avoid danger please secure your product.

## You will need these for assembly:

- Ladder
- Rubber mallet
- Tape measure or ruler.





**Vuly Play Group**

AU: 1300 667 514

US: 1-833-333-8888

CAD:(866) 866-8858

UK: 03333 660062

FR: 0801 84 16 77

[www.vulyplay.com](http://www.vulyplay.com)



## 2.0. Care and Maintenance

Improper maintenance or lack of care can lead to your system deteriorating earlier than expected and causing injury. Please follow these instructions to ensure that your product lasts for as long as possible.

### 2.1. General Care

- Retain this manual.
- Inspect before and after each use.
- Replace any worn, deteriorated, defective or missing parts immediately and only through Vuly Play.
- Tighten all hardware, including elements that secure the system to the ground.
- Keep away objects that could damage textile components.
- Ensure that moving steel components remain well lubricated.
- Use only parts and accessories recommended by Vuly Play.

### 2.2. Rust and Corrosion

- Be aware of, and check, areas that are particularly prone to rusting:
  - Places where water is easily trapped.
  - Hollow sections of steel (which can appear in good condition on the outside, while hiding rust on the inside).
  - Sections where steel components join together.
- Inspect the inside of all tubes every 6 months – as well as after rain – and remove any water from the inside surfaces.
- Use general-purpose grease on steel connection areas.
- Avoid cleaning steel components excessively; it may reduce the effectiveness of their protective coatings.

### 2.3. Textile Deterioration

- Remove textile parts, and store them – in their original packaging – in a cool, dry and dark place when the system will be unused for over 1 month. Prolonged exposure to UV sunlight can shorten the lifespan of textile materials.

### 2.4. Weather Care

Components are susceptible to deterioration from use and environmental conditions – such as sunlight, rain, salt and heat – to varying degrees.

If your system will be unused for any extended period, disassemble it, return it to its original packaging and store it in a dry place.



**RAIN:** Remove any fallen debris after rain and wipe off residual water with a dry cloth.



**WIND:** Disconnect any accessories, and cover the frame with a storm cover.



**HEAT:** Cover when not in use to minimise UV damage.



**SNOW:** Store your monkey bars indoors to protect them from damage. If you must use them outdoors, remove the shade cover from top and remove snow build up.

## COMPONENTS WILL DETERIORATE OVER TIME.

Record your date of purchase:



/ /



**WARNING: STRONG WINDS AND WILD WEATHER CAN CAUSE PRODUCTS TO LIFT UP AND MOVE, TO AVOID DANGER PLEASE SECURE YOUR PRODUCT.**

## 3.0. Usage and Behaviour

Improper maintenance or lack of care can lead to your system deteriorating earlier than expected and causing injury. Please follow these instructions to ensure that your product lasts for as long as possible.

### 3.1. Safe Use Information

- Maximum user weight: 80kg. / 176lbs. .
- User limitation: Do not exceed more than two users on one side at any time.
- Domestic and outdoor use only.
- Suitable for ages 6 and over.
- Maximum users at one time: 4.
- Minimum 3 adults required for assembly.

### 3.2. Safe Use Instructions



**ADULT SUPERVISION IS REQUIRED AT ALL TIMES WHILST EQUIPMENT IS IN USE. VULY PLAY CARES ABOUT SAFETY.**



**WARNING: TO REDUCE THE RISK OF INJURY WHILE USING THE SYSTEM, ENFORCE THE FOLLOWING.**

- Install the system on level ground and in a well lit area, no less than 2 m (6 ft) from any structure or obstruction – such as a fence, garage, house, overhanging branches, laundry lines, or electrical wires.
  - Ensure that your chosen surface allows the system to be firmly embedded with the included Anchor Kit or with strong bolts.
  - Preference installing the system on a surface with impact-attenuating properties – such as grass. A fall onto a hard surface can result in serious injury or death to the equipment user.
  - Check that you have all parts required for assembly.
  - Lock nuts and bolts securely.
  - Children must not use the equipment until properly installed.
- Ensure that the system has been assembled by an adult, in accordance with the assembly instructions.
  - Ensure that the system has been checked over before use, and that all attachments are secure.
  - Do not use in strong wind conditions or wet weather, and keep the system secure.
  - Ensure active and competent adult supervision at all times while children are using the system.
  - Wear comfortable clothing, which allows full and free movement, and closed-in footwear.
    - Do not wear jewellery, drawstrings, cords, loops, buckles or anything that could entangle in components and become a strangulation hazard, a contact hazard or damage the system.
    - Empty pockets and hands before use.
  - Exercise caution at heights.
  - Make sure that the areas around, underneath and above the system are clear.
  - Demonstrate safe use for children before allowing them onto the system.
  - Do not walk close to, in front of, behind, or between moving items.
  - Do not to attach items that are not specifically designed for use with the system, such as – but not limited to – jump ropes, clothesline, pet leashes, cables and chains.



# 1.0. Avertissement Légal Et Conditions De Vente

Les conditions de vente suivantes s'appliquent aux acheteurs de tout produit Vuly Play et les engagent juridiquement.

Ce produit est fabriqué et distribué exclusivement par les entités juridiques suivantes dans leurs régions respectives:

- **Australie:** Vuly Play Group ABN 48 655 129 623  
Adresse: 95 Ingleston Road, Wakerley, QLD 4154
- **États-Unis:** Vuly USA Operations Corp.  
EIN 99-2968094  
Adresse: 1087 W. River St., Ste 310, Boise, ID 83702
- **Canada:** Vuly Canada Operations Corp. C1025301  
Adresse: 1055 W. Georgia St, Unité 1500, Vancouver, BC V6E 4N7
- **Royaume-Uni:** United Kingdom Play Ltd 16492883  
Adresse : Windsor House Station Court, Station Road, Great Shelford, Cambridge, Royaume-Uni, CB22 5NE
- **Europe:** Europe Play Operations B.V.  
Adresse: Hofplein 20, Rotterdam, 3032 AC, Netherlands.

Chaque entité est uniquement responsable des ventes, de l'assistance, de la sécurité des produits, de la garantie et de la conformité dans son pays. Toute réclamation juridique, tout litige ou toute responsabilité doivent être traités exclusivement dans le pays où le produit a été acheté, selon les lois de cette juridiction.

## AVIS À L'UTILISATEUR:

Veillez lire attentivement le présent accord avant d'acheter ou d'assembler ce produit. En ouvrant cet emballage ou en débutant l'assemblage, vous reconnaissez avoir lu, compris et accepté les présentes conditions de vente. Si vous effectuez l'achat pour le compte d'une autre personne, vous acceptez d'agir en tant que mandataire.

## AVIS IMPORTANT – DROITS LÉGAUX:

Exclusion de responsabilité—renonciation au droit de poursuite—acceptation des risques: ces conditions affectent vos droits légaux. L'utilisation de ce produit comporte des risques inhérents. L'utilisateur assume l'entière responsabilité de l'utilisation sécurisée, du montage conforme et de l'entretien adéquat.

Tous les produits Vuly Play sont soumis aux conditions suivantes:

1. Dans toute la mesure permise par la loi, Vuly Play, ses employés, directeurs et agents ne sauraient être tenus responsables envers le client, ses ayants droit ou représentants légaux pour tout dommage matériel, blessure ou décès résultant:
  - d'un produit non fabriqué ou fourni avec la diligence et la compétence requises; d'un produit non adapté à l'usage prévu; d'un manquement contractuel,

d'une négligence ou d'une violation de la loi par Vuly Play.

2. Vuly Play, ses employés, directeurs et agents ne sauraient être tenus responsables pour toute blessure ou tout décès résultant du fait que le produit:
  - a. N'a pas été installé conformément au manuel d'instructions de Vuly Play. Il incombe au client de vérifier toutes les boîtes pour s'assurer que tous les composants sont présents et en bon état avant l'assemblage.
  - b. N'a pas été installé avec soin et compétence, que ce soit par le client ou par un service tiers.
  - c. N'a pas été maintenu dans l'état d'origine, en raison d'une usure normale (notamment les intempéries, la détérioration des textiles, l'exposition aux UV ou la rouille).
3. Le client reconnaît que l'utilisation de ce produit comporte des risques inhérents. Des blessures ou un décès peuvent en découler. Le client accepte l'ensemble de ces risques et renonce, dans toute la mesure permise par la loi, à tout recours contre Vuly Play, pour toute perte, tout dommage, toute blessure ou tout décès causé directement ou indirectement par l'utilisation du produit.

Cela inclut, sans s'y limiter, toute responsabilité découlant d'un acte ou d'une omission négligente, d'un manquement contractuel ou légal de Vuly Play, de ses dirigeants, employés ou représentants.

## AVERTISSEMENT!

Pour réduire les risques de blessure lors de l'utilisation du système, appliquez les consignes suivantes:

- Âge minimum de l'utilisateur – 6 ans.
- Nombre maximal d'utilisateurs –4.
- Assemblage par un adulte requis.
- Supervision par un adulte requise en tout temps.
- Assurez-vous que le système est fixé avec des ancrs ou des boulons avant utilisation.
- Faites preuve de prudence en hauteur. Hauteur de chute maximale: 2,2 m / 7 pieds.
- Trois adultes sont nécessaires pour l'assemblage.
- De forts vents et des conditions météorologiques extrêmes peuvent soulever ou déplacer le produit; pour éviter tout danger, veuillez bien le fixer.

## Vous aurez besoin pour l'assemblage:

- Échelle
- Maillet en caoutchouc
- Ruban à mesurer ou règle.





**Vuly Play Group**

AU: 1300 667 514

US: 1-833-333-8888

CAD:(866) 866-8858

UK: 03333 660062

FR: 0801 84 16 77

[www.vulyplay.com](http://www.vulyplay.com)



## 2.0. Entretien et Maintenance

Un entretien inadéquat peut provoquer une détérioration prématurée de votre produit et entraîner des blessures. Suivez ces consignes pour assurer sa durabilité.

### 2.1. Entretien Général

- Conservez ce manuel.
- Inspectez l'équipement avant et après chaque usage.
- Remplacez immédiatement toute pièce usée ou manquante uniquement via Vuly Play.
- Serrez tous les éléments de fixation, y compris ceux liés à l'ancrage.
- Éloignez les objets susceptibles d'endommager les textiles.
- Maintenez les pièces métalliques mobiles bien lubrifiées.
- Utilisez exclusivement les pièces et accessoires recommandés par Vuly Play.

### 2.2. Rouille et Corrosion

- Soyez attentif aux zones particulièrement sujettes à la rouille et inspectez-les régulièrement:
  - Les endroits où l'eau peut facilement s'accumuler.
  - Les sections creuses en acier (qui peuvent paraître en bon état à l'extérieur tout en dissimulant de la rouille à l'intérieur).
  - Les zones où les composants en acier sont assemblés.
- Inspectez l'intérieur de tous les tubes tous les 6 mois – ainsi qu'après la pluie – et éliminez toute présence d'eau sur les surfaces internes.
- Appliquez une graisse polyvalente sur les zones de connexion en acier.
- Évitez de nettoyer de manière excessive les composants en acier, car cela pourrait réduire l'efficacité de leurs revêtements de protection.

### 2.3. Détérioration des Textiles

- Retirez les pièces textiles et rangez-les – dans leur emballage d'origine – dans un endroit frais, sec et sombre si le système ne sera pas utilisé pendant plus d'un mois. Une exposition prolongée au soleil (UV) peut réduire la durée de vie des matériaux textiles.

### 2.4. Entretien en Fonction des Conditions Météorologiques

Les composants peuvent se détériorer à des degrés divers en raison de l'utilisation et des conditions environnementales – telles que l'exposition au soleil, à la pluie, au sel ou à la chaleur. Si votre système ne sera pas utilisé pendant une période prolongée, démontez-le, remplacez-le dans son emballage d'origine et rangez-le dans un endroit sec.



**PLUIE:** Enlevez tout débris tombé après la pluie et essuyez l'eau résiduelle avec un chiffon sec.



**VENT:** Déconnectez tous les accessoires et couvrez la structure avec une housse anti-tempête.



**CHALEUR:** Couvrez le système lorsqu'il n'est pas utilisé pour réduire les dommages causés par les UV.



**NEIGE:** Rangez vos barres de singe à l'intérieur pour les protéger. Si vous devez les utiliser en extérieur, retirez la toile d'ombrage supérieure et enlevez l'accumulation de neige.

## LES COMPOSANTS SE DÉTÉRIORERONT AVEC LE TEMPS.

Notez la date de votre achat:



/ /



**ATTENTION: DE FORTS VENTS ET DES CONDITIONS MÉTÉOROLOGIQUES EXTRÊMES PEUVENT SOULEVER OU DÉPLACER LE PRODUIT. POUR ÉVITER TOUT DANGER, VEILLEZ À TOUJOURS LE FIXER SOLIDEMENT.**



## 3.0. Utilisation et Comportement

Un mauvais entretien ou un manque de soin peut entraîner une détérioration prématurée du système et provoquer des blessures. Veuillez suivre ces instructions pour garantir la longévité maximale de votre produit.

### 3.1. Informations sur une Utilisation en toute Sécurité

- Poids maximal de l'utilisateur : 80kg. / 176lbs. .
- Limitation d'utilisateurs : ne pas dépasser deux utilisateurs sur un même côté à la fois.
- Usage exclusivement domestique et en extérieur.
- Convient aux enfants de 6 ans et plus.
- Nombre maximum d'utilisateurs en même temps: 4.
- Un minimum de 3 adultes est requis pour l'assemblage.

### 3.2. Instructions pour une Utilisation Sécuritaire



**LA SURVEILLANCE D'UN ADULTE EST REQUISE À TOUT MOMENT PENDANT L'UTILISATION DE L'ÉQUIPEMENT. VULY PLAY ACCORDE UNE GRANDE IMPORTANCE À LA SÉCURITÉ**



**AVERTISSEMENT: POUR RÉDUIRE LES RISQUES DE BLESSURE PENDANT L'UTILISATION DU SYSTÈME, APPLIQUEZ LES CONSIGNES SUIVANTES**

- Assurez-vous que le produit a été assemblé par un adulte, conformément aux instructions de montage.
- Assurez-vous que le système a été contrôlé avant utilisation et que toutes les fixations sont sécurisées.
- Ne pas utiliser en cas de vents violents ou par temps humide, et assurez-vous à ce que le système soit solidement fixé.
- Une surveillance active et compétente d'un adulte est requise à tout moment lorsque des enfants utilisent le système.
- Portez des vêtements confortables qui permettent une liberté de mouvement totale, ainsi que des chaussures fermées.
  - Ne portez pas de bijoux, de cordons, de lacets, de boucles ni d'éléments pouvant s'emmêler dans les composants, risquant de provoquer une strangulation, une blessure ou d'endommager le système.
  - Videz vos poches et vos mains avant utilisation.
- Soyez prudent à des hauteurs élevées.
- Assurez-vous que les zones autour, en dessous et au-dessus du système sont dégagées.

- Montrez aux enfants comment utiliser le système de manière sécuritaire avant de les y autoriser.
- Ne marchez pas à proximité, devant, derrière ou entre les éléments en mouvement.
- N'attachez pas d'objets qui ne sont pas spécifiquement conçus pour être utilisés avec le système – comme, entre autres, des cordes à sauter, des cordes à linge, des laisses pour animaux, des câbles ou des chaînes.
- Installez le système sur un terrain plat, dans une zone bien éclairée, à au moins 2 m (6 pieds) de toute structure ou obstruction – telle qu'une clôture, un garage, une maison, des branches surplombantes, des fils à linge ou des câbles électriques.
- Assurez-vous que la surface sélectionnée permet un ancrage solide du système à l'aide du kit d'ancrage inclus ou de boulons robustes.
- Il est recommandé d'installer le système sur une surface absorbant les chocs – comme de l'herbe. Une chute sur une surface dure peut entraîner des blessures graves voire mortelles pour l'utilisateur.
- Assurez-vous que vous disposez de toutes les pièces nécessaires pour l'assemblage.
- Serrez fermement les écrous et boulons.
- Les enfants ne doivent pas utiliser l'équipement tant qu'il n'est pas correctement installé.



# 1.0. Rechtlicher Hinweis Und Verkaufsbedingungen

Die folgenden Verkaufsbedingungen gelten für Käufer eines Vuly-Play-Produkts und sind für sie verbindlich.

Dieses Produkt wird ausschließlich von den folgenden juristischen Personen in ihren jeweiligen Regionen hergestellt und vertrieben:

- **Australien:** Vuly Play Group ABN 48 655 129 623  
Adresse: 95 Ingleston Road, Wakerley, QLD 4154
- **Vereinigte Staaten:** Vuly USA Operations Corp.  
EIN 99-2968094  
Adresse: 1087 W. River St., Ste 310, Boise, ID 83702
- **Kanada:** Vuly Canada Operations Corp. C1025301  
Adresse: 1055 W. Georgia St, Einheit 1500, Vancouver, BC V6E 4N7
- **Vereinigtes Königreich:** United Kingdom Play Ltd  
16492883  
Adresse: Windsor House Station Court, Station Road, Great Shelford, Cambridge, UK, CB22 5NE
- **Europa:** Europe Play Operations B.V.  
Adresse: Hofplein 20, Rotterdam, 3032 AC, Netherlands

Jede dieser Einheiten ist ausschließlich für Verkauf, Support, Produktsicherheit, Garantie und Gesetzeskonformität im jeweiligen Land verantwortlich.

Alle rechtlichen Ansprüche, Streitigkeiten oder Haftungsfragen sind ausschließlich in dem Land geltend zu machen, in dem das Produkt erworben wurde, und unterliegen dem Recht dieser Gerichtsbarkeit.

## HINWEIS FÜR DEN BENUTZER:

Bitte lesen Sie dieses Dokument sorgfältig durch, bevor Sie dieses Produkt kaufen oder zusammenbauen. Mit dem Öffnen der Verpackung oder dem Beginn der Montage bestätigen Sie, dass Sie diese Verkaufsbedingungen gelesen, verstanden und akzeptiert haben. Wenn Sie im Namen einer anderen Person kaufen, erklären Sie sich damit einverstanden, als deren Vertreter zu handeln.

## WICHTIGER HINWEIS – RECHTLICHE HINWEISE:

Haftungsausschluss—Verzicht auf das Klagerecht—Risikübernahme – diese Bedingungen beeinträchtigen Ihre gesetzlichen Rechte. Die Verwendung dieses Produkts ist mit inhärenten Risiken verbunden. Die Nutzer\*innen tragen die volle Verantwortung für sicheren Betrieb, korrekten Aufbau und Wartung.

Für alle Vuly-Play-Produkte gelten die folgenden Bedingungen:

1. Soweit gesetzlich zulässig, haften Vuly Play, seine Mitarbeitenden, Geschäftsführung und Vertreter nicht gegenüber dem Kunden, dessen Angehörigen oder gesetzlichen Vertretern für Sachschäden, Körperverletzungen oder Todesfälle, die daraus resultieren,– dass das Produkt nicht mit angemessener Sorgfalt und Fachkenntnis hergestellt oder geliefert

wurde,– dass das Produkt nicht für den vorgesehenen Zweck geeignet war,– oder aufgrund von Fahrlässigkeit, Vertragsbruch, Gesetzesverstoß oder Pflichtverletzung durch Vuly Play.

2. Vuly Play, seine Mitarbeitenden, Geschäftsführung und Vertreter haften nicht für Verletzungen oder Todesfälle, die dadurch verursacht wurden, dass das Produkt:
  - a. nicht gemäß der Vuly-Play-Montageanleitung installiert wurde. Es liegt in der Verantwortung des Kunden, alle Kartons zu überprüfen, um sicherzustellen, dass alle Komponenten vollständig und unversehrt sind, bevor mit der Montage begonnen wird.
  - b. nicht mit angemessener Sorgfalt und Fachkenntnis installiert wurde – entweder durch den Kunden selbst oder durch einen externen Montageservice.
  - c. sich nicht mehr im Originalzustand befand – z. B. durch Abnutzung oder äußere Einflüsse wie Wetterschäden, Stoffverschleiß, UV-Belastung oder Rost.
3. Der Kunde erkennt an, dass die Nutzung des Produkts gefährlich sein und mit Risiken verbunden sein kann. Verletzungen oder Todesfälle sind möglich. Der Kunde übernimmt diese Risiken vollständig und verzichtet—soweit gesetzlich zulässig—auf jegliche Ansprüche gegen Vuly Play und entbindet das Unternehmen vollständig von jeder Haftung für Verluste, Schäden, Verletzungen oder Todesfälle, die durch oder im Zusammenhang mit der Nutzung des Produkts entstehen.

Dies umfasst—ohne Einschränkung—auch Haftung aus Fahrlässigkeit, unerlaubten Handlungen, Pflichtverletzungen, Vertragsverletzungen oder Verstößen gegen gesetzliche Pflichten durch Vuly Play, seine Führungskräfte, Mitarbeitenden oder Vertreter.



## **ACHTUNG!**

Um das Verletzungsrisiko bei der Verwendung des Systems zu verringern, beachten Sie Folgendes:

- Minimales Benutzeralter – 6 Jahre.
- Maximale Benutzeranzahl – 4.
- Montage nur durch Erwachsene.
- Ständige Aufsicht durch Erwachsene erforderlich.
- Stellen Sie sicher, dass das System vor der Nutzung mit Ankern oder Bolzen gesichert ist.
- Vorsicht bei der Nutzung in der Höhe. Maximale Fallhöhe: 2,2 m / 7 ft.
- Drei Erwachsene erforderlich für die Montage.
- Starke Winde und Unwetter können das Produkt anheben oder verschieben – sichern Sie es unbedingt.

### **Für die Montage benötigen Sie:**

- Leiter
- Gummihammer
- Maßband oder Lineal.

#### **Vuly Play Group**

AU: 1300 667 514

US: 1-833-333-8888

CAD:(866) 866-8858

UK: 03333 660062

FR: 0801 84 16 77

[www.vulyplay.com](http://www.vulyplay.com)



## 2.0. Pflege und Wartung

Unsachgemäße Wartung oder mangelnde Pflege kann dazu führen, dass Ihr (Produkt) früher als erwartet verschleißt und Verletzungen verursacht. Befolgen Sie bitte diese Anweisungen, um die Lebensdauer Ihres (Produkts) zu maximieren.

### 2.1. Allgemeine Pflege

- Bewahren Sie dieses Handbuch auf.
- Überprüfen Sie das Produkt vor und nach jeder Nutzung.
- Ersetzen Sie abgenutzte, beschädigte, defekte oder fehlende Teile umgehend und ausschließlich durch Originalteile von Vuly Play.
- Ziehen Sie alle Befestigungselemente nach, insbesondere jene, die das System am Boden verankern.
- Halten Sie Gegenstände fern, die textile Bestandteile beschädigen könnten.
- Stellen Sie sicher, dass bewegliche Stahlteile gut geschmiert bleiben.
- Verwenden Sie ausschließlich von Vuly Play empfohlene Ersatzteile und Zubehör.

### 2.2. Rost und Korrosion

- Achten Sie auf Bereiche, die besonders rostanfällig sind, und überprüfen Sie diese regelmäßig:
  - Stellen, an denen sich Wasser leicht ansammelt.
  - Hohlprofile aus Stahl (sie können außen gut aussehen, aber innen versteckten Rost enthalten).
  - Verbindungsstellen von Stahlkomponenten.
- Kontrollieren Sie alle Rohre alle 6 Monate—sowie nach Regen—auf Wassereinlagerungen im Inneren und entfernen Sie ggf. vorhandenes Wasser.
- Verwenden Sie Universalfett an den Stahlverbindungen.
- Reinigen Sie Stahlkomponenten nicht übermäßig, da dies den Schutzüberzug beeinträchtigen kann.

### 2.3. Textilverschleiß

- Entfernen Sie textile Bestandteile und lagern Sie sie—in ihrer Originalverpackung—an einem kühlen, trockenen und dunklen Ort, wenn das System länger als einen Monat nicht verwendet wird. Längere Sonneneinstrahlung durch UV-Licht kann die Lebensdauer von Textilmaterialien verkürzen

### 2.4. Witterungspflege

Komponenten können je nach Nutzung und Umwelteinflüssen—wie Sonnenlicht, Regen, Salz und Hitze—unterschiedlich schnell verschleiben. Wenn das System längere Zeit nicht genutzt wird, demontieren Sie es, packen Sie es in die Originalverpackung und lagern Sie es an einem trockenen Ort.



**REGEN:** Entfernen Sie heruntergefallene Rückstände nach Regen und wischen Sie verbleibendes Wasser mit einem trockenen Tuch ab.



**WIND:** Entfernen Sie alle Zubehörteile und bedecken Sie den Rahmen mit einer Sturmschutzabdeckung.



**HITZE:** Decken Sie das Produkt ab, wenn es nicht in Gebrauch ist, um UV-Schäden zu minimieren.



**SCHNEE:** Lagern Sie Ihre Klettergerüste (Monkey Bars) im Innenbereich, um sie zu schützen. Wenn sie im Freien verwendet werden müssen, entfernen Sie die Schattenabdeckung oben und beseitigen Sie Schneemengen.

## KOMPONENTEN WERDEN MIT DER ZEIT VERSCHLEISSEN.

Notieren Sie das Kaufdatum:



/ /



**WARNUNG: STARKE WINDE UND UNWETTER KÖNNEN DAS PRODUKT ANHEBEN ODER VERSCHIEBEN. UM GEFAHREN ZU VERMEIDEN, SICHERN SIE IHR PRODUKT BITTE ORDNUNGSGEMÄSS.**

## 3.0. Nutzung und Verhalten

Unsachgemäße Wartung oder mangelnde Pflege kann dazu führen, dass Ihr System früher als erwartet verschleißt und Verletzungen verursacht. Bitte befolgen Sie diese Anweisungen, um die Lebensdauer Ihres Produkts zu maximieren.

### 3.1. Sicherheitshinweise zur Nutzung

- Maximalgewicht pro Benutzer: 80kg. / 176lbs. .
- Benutzerbegrenzung: Auf einer Seite dürfen sich nicht mehr als zwei Benutzer gleichzeitig befinden.
- Nur für den häuslichen und Außenbereich bestimmt.
- Geeignet für Kinder ab 6 Jahren.
- Maximale Anzahl gleichzeitiger Benutzer: 4.
- Mindestens 3 Erwachsene erforderlich für den Aufbau.

### 3.2. Anweisungen für den sicheren Gebrauch



**WARNUNG: ZUR VERRINGERUNG DES VERLETZUNGSRIKOS BEI DER NUTZUNG DES SYSTEMS BEFOLGEN SIE BITTE DIE FOLGENDEN HINWEISE.**



**WÄHREND DER NUTZUNG DES GERÄTS IST JEDERZEIT DIE AUFSICHT EINES ERWACHSENEN ERFORDERLICH. VULY PLAY LEGT GROSSEN WERT AUF SICHERHEIT.**

- Gehen Sie nicht in die Nähe, vor, hinter oder zwischen beweglichen Teilen.
  - Befestigen Sie keine Gegenstände, die nicht speziell für das System vorgesehen sind – z. B. Springseile, Wäscheleinen, Hundeleinen, Kabel oder Ketten.
  - Installieren Sie das System auf ebenem Boden und in einem gut beleuchteten Bereich, mindestens 2 m (6 ft) von Strukturen oder Hindernissen entfernt – wie etwa Zäunen, Garagen, Häusern, überhängenden Ästen, Wäscheleinen oder Stromleitungen.
  - Stellen Sie sicher, dass der Untergrund die feste Verankerung des Systems mit dem mitgelieferten Anker-Kit oder stabilen Bolzen erlaubt.
  - Installieren Sie das System vorzugsweise auf einer stoßdämpfenden Oberfläche – z. B. Gras. Ein Sturz auf eine harte Fläche kann zu schweren Verletzungen oder zum Tod führen.
  - Überprüfen Sie, ob alle für die Montage erforderlichen Teile vorhanden sind.
  - Ziehen Sie Muttern und Schrauben sicher fest.
  - Kinder dürfen das Gerät erst benutzen, wenn es vollständig und korrekt montiert ist.
- Stellen Sie sicher, dass das Produkt von einem Erwachsenen gemäß der Montageanleitung aufgebaut wurde.
  - Überprüfen Sie das System vor der Benutzung und stellen Sie sicher, dass alle Verbindungen gesichert sind.
  - Verwenden Sie das Produkt nicht bei starkem Wind oder bei Nässe, und sichern Sie es ordnungsgemäß.
  - Eine aktive und kompetente Beaufsichtigung durch einen Erwachsenen ist jederzeit erforderlich, wenn Kinder das System benutzen.
  - Tragen Sie bequeme Kleidung, die volle Bewegungsfreiheit erlaubt, sowie geschlossene Schuhe.
    - Tragen Sie keinen Schmuck, keine Kordeln, Bänder, Schlaufen, Schnallen oder Ähnliches, das sich in den Komponenten verfangen könnte und eine Strangulations- oder Verletzungsgefahr darstellen oder das System beschädigen könnte.
    - Leeren Sie Taschen und Hände vor der Benutzung.
  - Seien Sie besonders vorsichtig bei Aktivitäten in der Höhe.
  - Stellen Sie sicher, dass die Bereiche um, unter und über dem System frei sind.
  - Zeigen Sie Kindern die sichere Benutzung, bevor Sie ihnen den Zugang zum System erlauben.



# 1.0. Uridische disclaimer & Verkoopvoorwaardene

De volgende verkoopvoorwaarden zijn van toepassing op en bindend voor de kopers van elk Vuly Play-product.

Dit product wordt uitsluitend geproduceerd en gedistribueerd door de volgende rechtspersonen in hun respectieve regio's:

- **Australien:** Vuly Play Group ABN 48 655 129 623  
Adresse: 95 Ingleston Road, Wakerley, QLD 4154
- **Vereinigde Staten:** Vuly USA Operations Corp.  
EIN 99-2968094  
Adresse: 1087 W. River St., Ste 310, Boise, ID 83702
- **Kanada:** Vuly Canada Operations Corp. C1025301  
Adresse: 1055 W. Georgia St, Einheit 1500, Vancouver, BC V6E 4N7
- **Vereinigtes Königreich:** United Kingdom Play Ltd  
16492883  
Adresse: Windsor House Station Court, Station Road, Great Shelford, Cambridge, UK, CB22 5NE
- **Europa:** Europe Play Operations B.V.  
Adresse: Hofplein 20, Rotterdam,  
3032 AC, Netherlands

Elke entiteit is uitsluitend verantwoordelijk voor verkoop, ondersteuning, productveiligheid, garantie en naleving in het eigen land. Eventuele juridische claims, geschillen of aansprakelijkheidskwesties moeten uitsluitend worden behandeld in het land waar het product is gekocht en onder de wetgeving van dat rechtsgebied.

## KENNISGEVING AAN DE GEBRUIKER:

Lees deze overeenkomst zorgvuldig door voordat je dit product aanschaft of monteert. Door deze verpakking te openen of met de montage te beginnen, bevestig je dat je deze verkoopvoorwaarden hebt gelezen, begrepen en aanvaard.

Indien je het product namens een andere persoon aanschaft, stem je ermee in dat je optreedt als diens vertegenwoordiger.

## BELANGRIJKE KENNISGEVING – RECHTEN:

Uitsluiting van aansprakelijkheid – afstand van het recht om te procederen – aanvaarding van risico – deze voorwaarden hebben gevolgen voor je wettelijke rechten. Het gebruik van dit product brengt inherente risico's met zich mee. Gebruikers nemen de volledige verantwoordelijkheid voor veilig gebruik, correcte montage en onderhoud.

Alle Vuly Play-producten zijn onderworpen aan de volgende voorwaarden –

1. Voor zover maximaal toegestaan door de wet zijn Vuly Play, haar werknemers, bestuurders en agenten niet aansprakelijk tegenover de klant, diens afhankelijken of wettelijke vertegenwoordigers voor schade aan eigendommen, persoonlijk letsel of overlijden van de klant doordat het product niet met de vereiste zorg en

vakmanschap is vervaardigd of geleverd, het product niet redelijkerwijs geschikt is voor het doel of wegens nalatigheid, contractbreuk, schending van wet- of regelgeving door Vuly Play.

2. Vuly Play, haar werknemers, bestuurders en agenten zijn niet aansprakelijk tegenover de klant, diens afhankelijken of wettelijke vertegenwoordigers voor persoonlijk letsel of overlijden van de klant doordat het product niet:
  - a. Is geïnstalleerd in overeenstemming met de handleiding van Vuly Play. Het is de verantwoordelijkheid van de klant om alle dozen te controleren om te bevestigen dat alle onderdelen aanwezig zijn en in correcte staat vóór de montage.
  - b. Is geïnstalleerd met de vereiste zorg en vakmanschap, door de klant of door een externe montageservice;
  - c. In dezelfde staat verkeert als waarin het product werd geleverd, door slijtage – waaronder, maar niet beperkt tot, weersschade, achteruitgang van textiel, UV-verwerking of roest.
3. De klant erkent dat het gebruik van het product gevaarlijk kan zijn en inherente risico's en gevaren met zich meebrengt. Hierdoor kan persoonlijk letsel of overlijden optreden. De klant neemt en aanvaardt al deze risico's op zich en doet hierbij – voor zover maximaal toegestaan door de wet – afstand van het recht op rechtsvordering tegen Vuly Play en stelt Vuly Play volledig vrij van aansprakelijkheid voor verlies, schade, persoonlijk letsel of overlijden, op welke manier dan ook veroorzaakt door of verband houdend met de deelname van de klant aan dergelijke activiteiten.

Dit omvat – zonder beperking – aansprakelijkheid voor enige nalatige of onrechtmatige daad of nalaten, plichtsverzuim, contractbreuk of schending van een wettelijke verplichting door Vuly Play, haar functionarissen, bestuurders, werknemers of agenten.



## **WAARSCHUWING!**

Om het risico op letsel tijdens het gebruik van het systeem te verminderen, moet het volgende worden nageleefd:

- Minimumleeftijd gebruiker – 6 jaar.
- Maximum aantal gebruikers – 4.
- Montage door een volwassene vereist.
- Toezicht door een volwassene te allen tijde vereist.
- Zorg ervoor dat het systeem met ankers of bouten is bevestigd vóór gebruik.
- Wees voorzichtig op hoogte. Maximale valhoogte is 2,2m / 7 ft.
- Drie volwassenen vereist voor de montage.
- Sterke wind en extreem weer kunnen ertoe leiden dat producten loskomen en verplaatsen; bevestig je product goed om gevaar te voorkomen.

### **Voor de montage heb je het volgende nodig:**

- Ladder
- Rubberen hamer
- Rolmaat of liniaal

#### **Vuly Play Group**

AU: 1300 667 514

US: 1-833-333-8888

CAD:(866) 866-8858

UK: 03333 660062

FR: 0801 84 16 77

[www.vulyplay.com](http://www.vulyplay.com)



## 2.0. Verzorging en onderhoud

Onjuist onderhoud of gebrek aan zorg kan ertoe leiden dat je systeem eerder dan verwacht achteruitgaat en letsel veroorzaakt. Volg deze instructies om ervoor te zorgen dat je product zo lang mogelijk meegaat.

### 2.1. Algemene verzorging

- Bewaar deze handleiding.
- Inspecteer vóór en na elk gebruik.
- Vervang versleten, aangetaste, defecte of ontbrekende onderdelen onmiddellijk en uitsluitend via Vuly Play.
- Draai alle bevestigingsmiddelen aan, inclusief onderdelen die het systeem aan de grond verankeren.
- Houd voorwerpen weg die textielonderdelen kunnen beschadigen.
- Zorg ervoor dat bewegende stalen onderdelen goed gesmeerd blijven.
- Gebruik alleen onderdelen en accessoires die door Vuly Play worden aanbevolen.

### 2.2. Roest en corrosie

- Wees alert op, en controleer, gebieden die bijzonder gevoelig zijn voor roestvorming:
  - Plaatsen waar water gemakkelijk blijft staan.
  - Holle delen van staal (die er aan de buitenkant goed uit kunnen zien, maar aan de binnenkant roes verbergen).
  - Delen waar stalen componenten met elkaar verbonden zijn.
- Inspecteer de binnenzijde van alle buizen elke 6 maanden – evenals na regen – en verwijder eventueel aanwezig water van de binnenoppervlakken.
- Gebruik universeel vet op stalen verbindingen.
- Vermijd overmatig reinigen van stalen componenten; dit kan de effectiviteit van hun beschermende coatings verminderen.





### 2.3. Achteruitgang van textiel

- Verwijder textielonderdelen en bewaar deze – in hun originele verpakking – op een koele, droge en donkere plaats wanneer het systeem langer dan 1 maand niet wordt gebruikt. Langdurige blootstelling aan UV-zonlicht kan de levensduur van textielmaterialen verkorten.

### 2.4. Weerbestendigheid

Onderdelen zijn in wisselende mate gevoelig voor slijtage door gebruik en omgevingsinvloeden – zoals zonlicht, regen, zout en hitte.

Als je systeem langere tijd niet wordt gebruikt, demonteer het dan, plaats het terug in de originele verpakking en bewaar het op een droge plaats.

-  **REGEN:** Verwijder na regen gevallen vuil en veeg restwater af met een droge doek.
-  **WIND:** Koppel accessoires los en dek het frame af met een stormhoes.
-  **HITTE:** Dek af wanneer niet in gebruik om UV-schade te beperken.
-  **SNEEUW:** Bewaar je apenrek binnenshuis om schade te voorkomen. Als je het toch buiten moet gebruiken, verwijder dan de schaduwdoek van de bovenkant en verwijder opgehoopte sneeuw.

### ONDERDELEN ZULLEN IN DE LOOP VAN DE TIJD ACHTERUITGAAN.

Noteer je aankoopdatum:

	/	/
---	---	---



**WAARSCHUWING: STERKE WIND EN EXTREEM WEER KUNNEN ERTOE LEIDEN DAT PRODUCTEN LOSKOMEN EN VERPLAATSEN; BEVESTIG JE PRODUCT GOED OM GEVAAR TE VOORKOMEN.**

## 3.0. Gebruik en gedrag

Onjuist onderhoud of gebrek aan zorg kan ertoe leiden dat je systeem eerder dan verwacht achteruitgaat en letsel veroorzaakt. Volg deze instructies om ervoor te zorgen dat je product zo lang mogelijk meegaat.

### 3.1. Veilige gebruiksinformatie

- Maximaal gebruikersgewicht: 80 kg / 176 lbs.
- Gebruiksbeperking: niet meer dan twee gebruikers tegelijk aan één zijde.
- Alleen voor huishoudelijk en buitengebruik.
- Geschikt voor leeftijden vanaf 6 jaar.
- Maximum aantal gebruikers tegelijk: 4.
- Minimaal 3 volwassenen vereist voor de montage.

### 3.2. Instructies voor veilig gebruik



**WARNUNG: ZUR VERRINGERUNG DES VERLETZUNGSRIKOS BEI DER NUTZUNG DES SYSTEMS BEFOLGEN SIE BITTE DIE FOLGENDEN HINWEISE.**



**WÄHREND DER NUTZUNG DES GERÄTS IST JEDERZEIT DIE AUFSICHT EINES ERWACHSENEN ERFORDERLICH. VULY PLAY LEGT GROSSEN WERT AUF SICHERHEIT.**

- Zorg ervoor dat het systeem door een volwassene is gemonteerd, in overeenstemming met de montage-instructies.
- Zorg ervoor dat het systeem vóór gebruik is gecontroleerd en dat alle bevestigingen stevig vastzitten.
- Niet gebruiken bij harde wind of nat weer, en houd het systeem goed vastgezet.
- Zorg te allen tijde voor actief en bekwaam toezicht door een volwassene wanneer kinderen het systeem gebruiken.
- Draag comfortabele kleding die volledige en vrije beweging toestaat, en gesloten schoeisel.
  - Draag geen sieraden, trekkoorden, koorden, lussen, gespen of iets anders dat verstrikt kan raken in onderdelen en kan leiden tot verstikking, contactgevaar of beschadiging van het systeem.
  - Maak zakken en handen leeg vóór gebruik.
- Wees voorzichtig op hoogte.
- Zorg ervoor dat de ruimtes rond, onder en boven het systeem vrij zijn.
- Demonstreer veilig gebruik aan kinderen voordat je hen toestaat het systeem te gebruiken.
- Loop niet dicht bij, voor, achter of tussen bewegende onderdelen.

- Bevestig geen voorwerpen die niet specifiek zijn ontworpen voor gebruik met het systeem, zoals – maar niet beperkt tot – springtouwen, waslijnen, dierenriemen, kabels en kettingen.
- Installeer het systeem op vlakke grond en in een goed verlichte omgeving, op minimaal 2 m (6 ft) afstand van enige structuur of obstakel – zoals een hek, garage, huis, overhangende takken, waslijnen of elektriciteitsdraden.
- Zorg ervoor dat het gekozen oppervlak het mogelijk maakt het systeem stevig te verankeren met de meegeleverde ankerzet of met sterke bouten.
- Bij voorkeur het systeem installeren op een ondergrond met schokabsorberende eigenschappen – zoals gras. Een val op een harde ondergrond kan leiden tot ernstig letsel of overlijden van de gebruiker.
- Controleer of je alle onderdelen voor de montage hebt.
- Draai moeren en bouten stevig vast.
- Kinderen mogen de apparatuur niet gebruiken voordat deze correct is geïnstalleerd.



## 4.0. Pre-Assembly Tips & Tricks / Astuces et Conseils Avant l'Assemblage / Tipps & Tricks vor dem Aufbau / Tips & tricks vóór de montage

**TAKE TIME TO READ THESE TIPS & TRICKS CAREFULLY!**

**PRENEZ LE TEMPS DE LIRE ATTENTIVEMENT CES ASTUCES ET CONSEILS !**

**NEHMEN SIE SICH ZEIT, UM DIESE TIPPS & TRICKS SORGFÄLTIG ZU LESEN!**

**NEEM DE TIJD OM DEZE TIPS & TRICKS ZORGVULDIG TE LEZEN!**

### 4.1. Warnings / Avertissements / Hinweise / Waarschuwingen



**NOTE:** A friendly reminder or helpful tip.  
**REMARQUE:** Un rappel amical ou un conseil utile.  
**HINWEIS:** Ein freundlicher Hinweis oder nützlicher Tipp.  
**OPMERKING:** Een vriendelijke herinnering of handige tip.

**WARNING!** A critical piece of information that must be followed.  
**ATTENTION!** Une information essentielle qui doit impérativement être suivie.  
**ACHTUNG!** Eine wichtige Information, die unbedingt beachtet werden muss.  
**WAARSCHUWING!** Essentiële informatie die strikt moet worden opgevolgd.



Notes and warnings can be found in the orange boxes throughout the assembly manual. Please look out for them and take care to follow their instruction. Additional warnings and instructions can be found with the symbols shown above.

Les remarques et avertissements se trouvent dans les encadrés orange tout au long du manuel d'assemblage. Veuillez les repérer et suivre attentivement leurs instructions. D'autres avertissements et instructions sont indiqués à l'aide des symboles présentés ci-dessus.

Hinweise und Warnungen finden Sie in den orangefarbenen Kästchen im gesamten Montagehandbuch. Achten Sie auf diese Hinweise und befolgen Sie sie sorgfältig. Weitere Warnungen und Anleitungen sind durch die oben gezeigten Symbole gekennzeichnet.

Opmerkingen en waarschuwingen zijn te vinden in de oranje kaders in de montagehandleiding. Let hierop en volg de instructies zorgvuldig op. Aanvullende w a a r s c h u w i n g e n en instructies zijn te vinden bij de hierboven getoonde symbolen.

## 4.2. Quest System / Système Quest / Quest-System / Quest-systeem

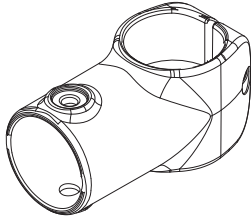
### 4.2.1. Joiner Fitting/ Raccord de Jonction/ Verbindungsstück Anbringen / Verbindingsstuk

Each joiner has a standard version and a **cross-brace** version. The cross brace version has additional mounting loops (highlighted in orange). During assembly, pay attention to which one is required and the orientation of the part.

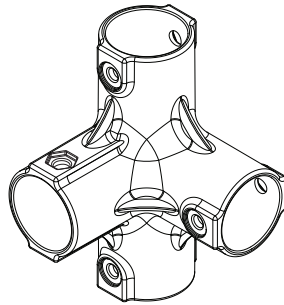
Chaque raccord de jonction existe en version standard et en version pour **traverse**. La version pour traverse comprend des boucles de fixation supplémentaires (mises en évidence en orange). Pendant l'assemblage, assurez-vous à utiliser la version requise et à respecter le bon sens d'orientation de la pièce.

Jedes Verbindungsstück ist in einer Standard- und einer **Querstreben**-Version erhältlich. Die Querstreben-Version verfügt über zusätzliche Befestigungsschlaufen (orange markiert). Achten Sie beim Aufbau darauf, welches Teil erforderlich ist und wie es richtig ausgerichtet wird.

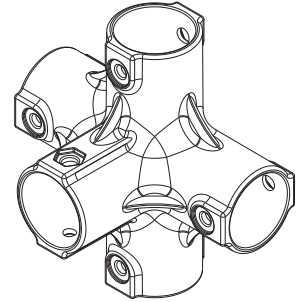
Elke verbinder heeft een standaardversie en een **kruisversterkte** versie. De kruisversterkte versie heeft extra bevestigingslusen (gemarkeerd in oranje). Let tijdens de montage goed op welke versie vereist is en op de oriëntatie van het onderdeel.



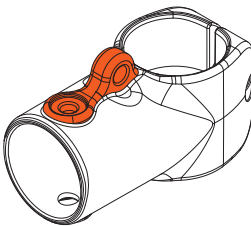
AJ



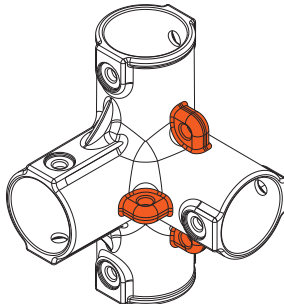
4J



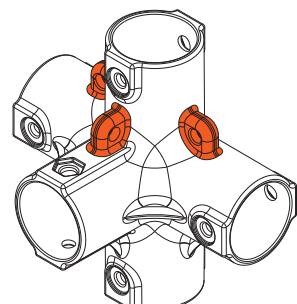
5J



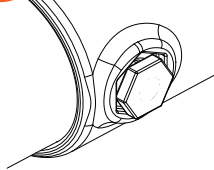
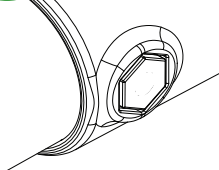
AJCB



4JCB



5JCB

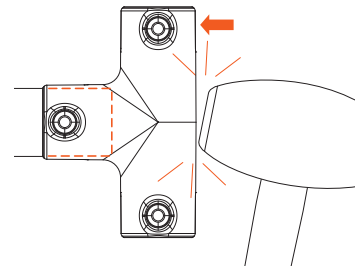
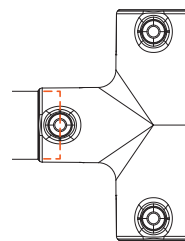


When inserting the hex barrel nuts, ensure that the hex nut is correctly inserted into the specified area.

Lors de l'insertion des écrous cylindriques hexagonaux, assurez-vous que l'écrou est correctement inséré dans l'emplacement prévu.

Beim Einsetzen der sechseckigen Laufmuttern stellen Sie sicher, dass die Mutter korrekt im vorgesehenen Bereich eingesetzt ist.

Wanneer je de zeskantige loopmoeren plaatst, zorg er dan voor dat de zeskantmoer correct in het aangegeven gebied geplaatst.



If the joiner is too tight to insert by hand, use a rubber ended mallet to knock it into place.

Si le raccord de jonction est trop serré pour être inséré à la main, utilisez un maillet en caoutchouc pour le mettre en place.

Wenn das Verbindungsstück zu fest ist, um es mit der Hand einzusetzen, verwenden Sie einen Gummihammer, um es vorsichtig einzuschlagen.

Als de verbinder te strak is om met de hand in te voegen, gebruik dan een rubberen hamer om deze op zijn plaats te tikken.



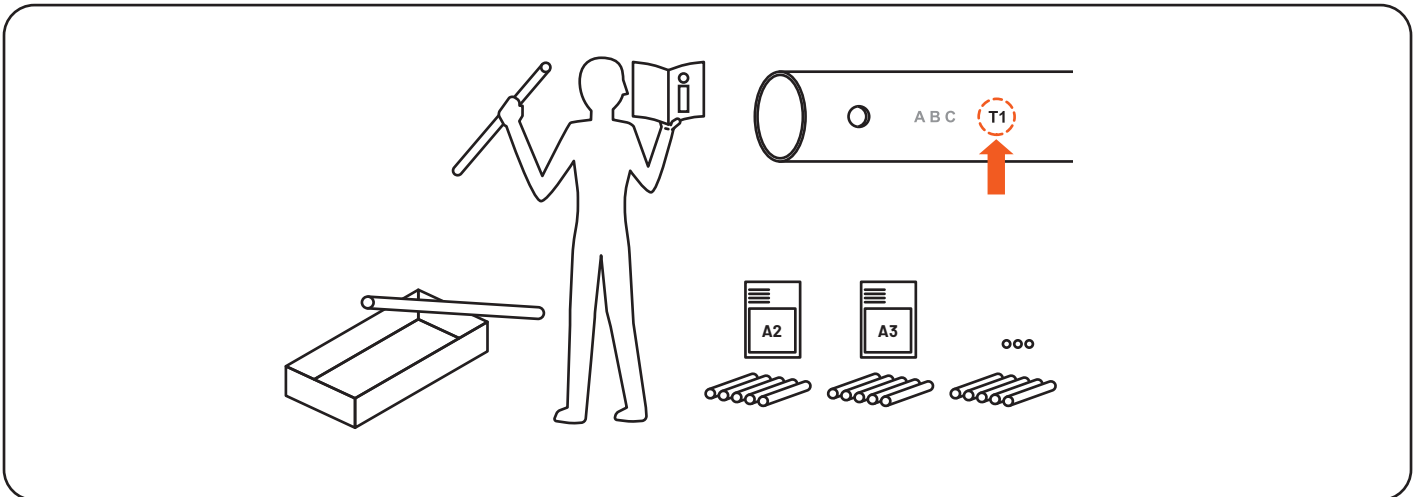
## 4.2.2. Tube Sorting / Tri des Tubes / Sortierung der Rohre / Sorteren van buizen

It is highly recommended that before commencing assembly of each section, open the indicated boxes and pre-organise all tubes and joiners into piles of the same type. Find the tube code printed on the tube as shown below.

Il est fortement recommandé, avant de commencer l'assemblage de chaque section, d'ouvrir les boîtes indiquées et de préorganiser tous les tubes et raccords en tas par type. Repérez le code imprimé sur chaque tube comme illustré ci-dessous.

Es wird dringend empfohlen, vor Beginn der Montage jeder Sektion die angegebenen Kartons zu öffnen und alle Rohre und Verbindungsstücke nach Typ zu sortieren. Den Rohrcode finden Sie, wie unten gezeigt, auf dem Rohr aufgedruckt.

Het wordt sterk aanbevolen om, voordat je met de montage van elk onderdeel begint, de aangegeven dozen te openen en alle buizen en verbinders vooraf te sorteren in stapels van hetzelfde type. Zoek de buiscodes die op de buis zijn afgedrukt, zoals hieronder weergegeven.



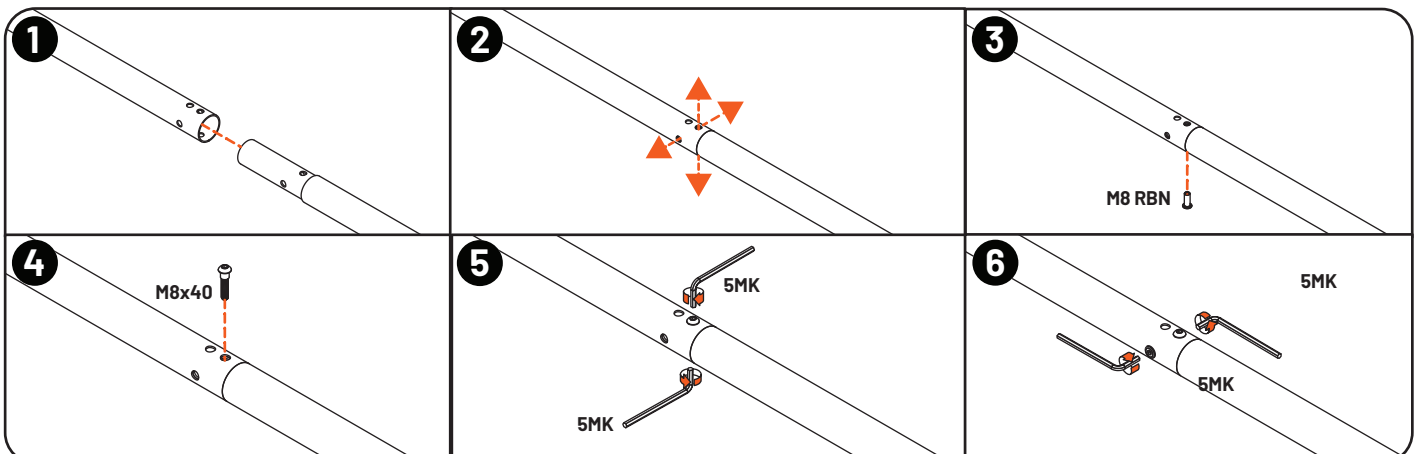
## 4.2.3. Tube Fitting / Assemblage des Tubes / Montage der Rohre / Buisverbinding

The following diagram shows the recommended way of fastening the M8x40 bolt to the M8 round barrel nut. First insert the poles into position making sure the holes align, then insert the M8 round barrel nut and keep it in place while inserting the M8x40 in the other end. Finger tighten then use both 5mm Allen keys to tighten as shown.

Le schéma suivant montre la méthode recommandée pour fixer le boulon M8x40 à l'écrou cylindrique M8. Insérez d'abord les poteaux en vous assurant que les trous sont bien alignés, puis insérez l'écrou cylindrique M8 et maintenez-le en place pendant que vous insérez le boulon M8x40 de l'autre côté. Serrez d'abord à la main, puis utilisez les deux clés Allen de 5 mm pour serrer comme illustré.

Die folgende Abbildung zeigt die empfohlene Methode zur Befestigung der M8x40-Schraube an der M8-Rundmutter. Setzen Sie zuerst die Stangen in Position und achten Sie darauf, dass die Löcher übereinstimmen. Führen Sie dann die M8-Rundmutter ein und halten Sie sie fest, während Sie die M8x40-Schraube von der anderen Seite einsetzen. Zuerst mit den Fingern anziehen, dann mit zwei 5 mm-Inbusschlüsseln wie gezeigt estziehen.

Het onderstaande diagram toont de aanbevolen manier om de M8x40-bout aan de M8 ronde loopmoer te bevestigen. Plaats eerst de palen in positie en zorg ervoor dat de gaten op één lijn liggen. Steek vervolgens de M8 ronde loopmoer in en houd deze op zijn plaats terwijl je de M8x40 in het andere uiteinde steekt. Draai eerst met de hand vast en gebruik daarna beide 5 mm-inbussleutels om aan te draaien zoals weergegeven.



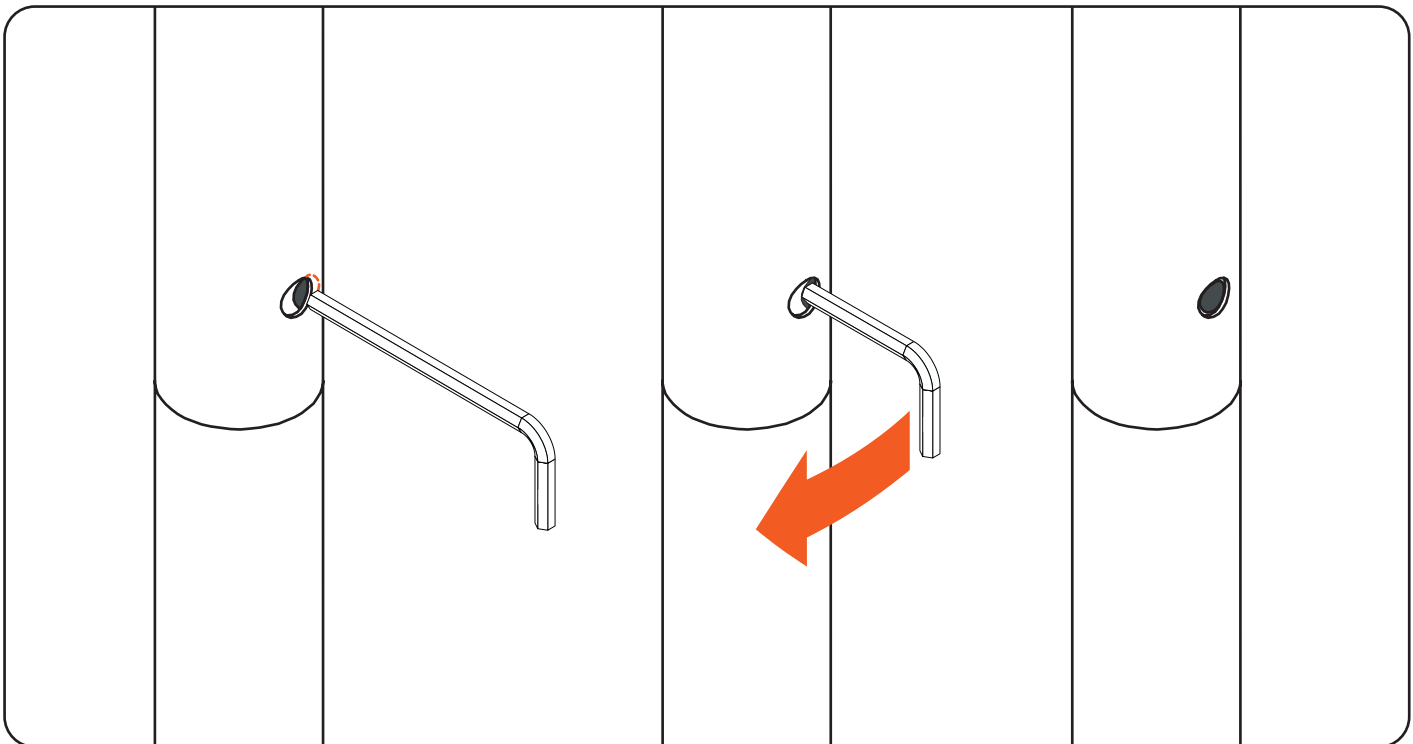
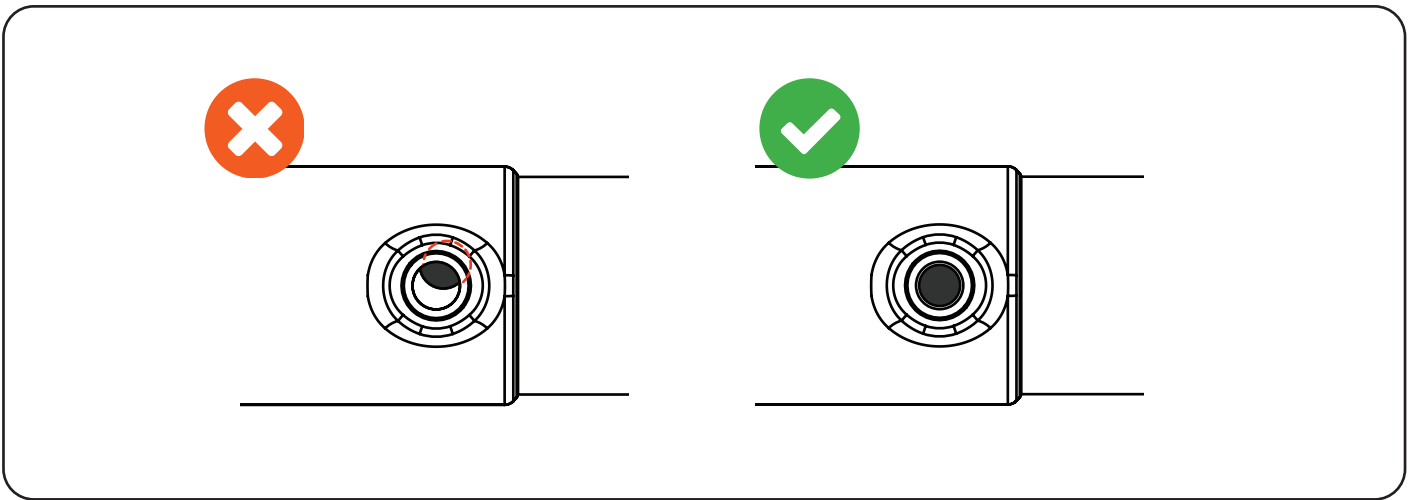
#### 4.2.4. Tube Alignment / Alignement des Tubes / Ausrichtung der Rohre / Uitlijning van buizen

To align the joiner holes with the holes in the frame tube, take the large 6mm Allen key and insert it into the top hole in the joiner tube then twist until the holes align. If further alignment is required, remove the Allen key and place it through the holes in the joiner and the tube. Use the Allen key to lever the holes into alignment.

Pour aligner les trous du raccord avec ceux du tube du cadre, insérez la grande clé Allen de 6 mm dans le trou supérieur du raccord, puis tournez jusqu'à ce que les trous soient alignés. Si un alignement supplémentaire est nécessaire, retirez la clé Allen et insérez-la à travers les trous du raccord et du tube. Utilisez ensuite la clé Allen comme levier pour aligner les trous.

Um die Löcher des Verbindungsstücks mit denen des Rahmenrohrs auszurichten, stecken Sie den großen 6mm-Inbusschlüssel in das obere Loch des Verbindungsrohrs und drehen Sie, bis die Löcher übereinstimmen. Falls weitere Ausrichtung erforderlich ist, entfernen Sie den Inbusschlüssel und führen ihn durch die Löcher des Verbinders und des Rohrs. Verwenden Sie den Schlüssel als Hebel, um die Löcher auszurichten.

Om de gaten van de verbinder uit te lijnen met de gaten in de framebuis, neem je de grote 6 mm-inbussleutel en steek je deze in het bovenste gat van de verbinderbuis. Draai vervolgens totdat de gaten op één lijn liggen. Als verdere uitlijning nodig is, verwijder je de inbussleutel en steek je deze door de gaten in de verbinder en de buis. Gebruik de inbussleutel om de gaten op één lijn te wrikken.



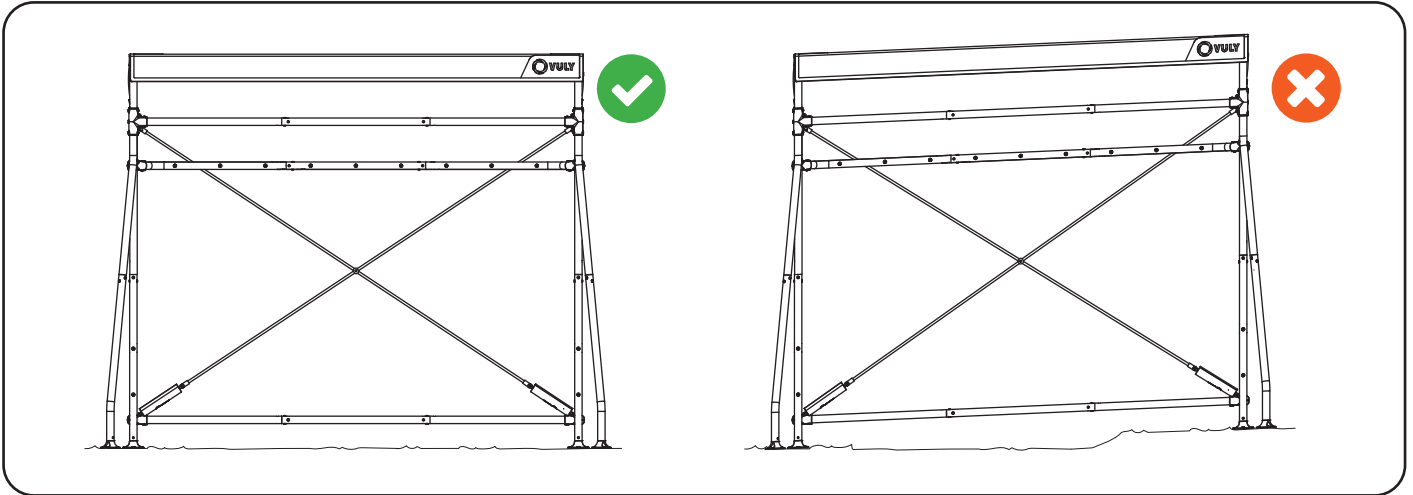
### 4.3. Uneven Ground / Sol Irrégulier / Unebener Untergrund / Ongelijke ondergrond

Ensure that the ground at the installation location is level and clear of obstructions. Installing on an uneven surface can cause misalignment and instability.

Assurez-vous que le sol à l'endroit d'installation est plat et exempt d'obstacles. Une installation sur une surface irrégulière peut entraîner un mauvais alignement et un instabilité.

Stellen Sie sicher, dass der Untergrund am Installationsort eben ist und keine Hindernisse vorhanden sind. Eine Montage auf unebenem Boden kann zu Fehlstellungen und Instabilität führen.

Zorg ervoor dat de grond op de installatielocatie vlak is en vrij van obstakels. Installatie op een oneffen ondergrond kan tot verkeerde uitlijning en instabiliteit leiden.



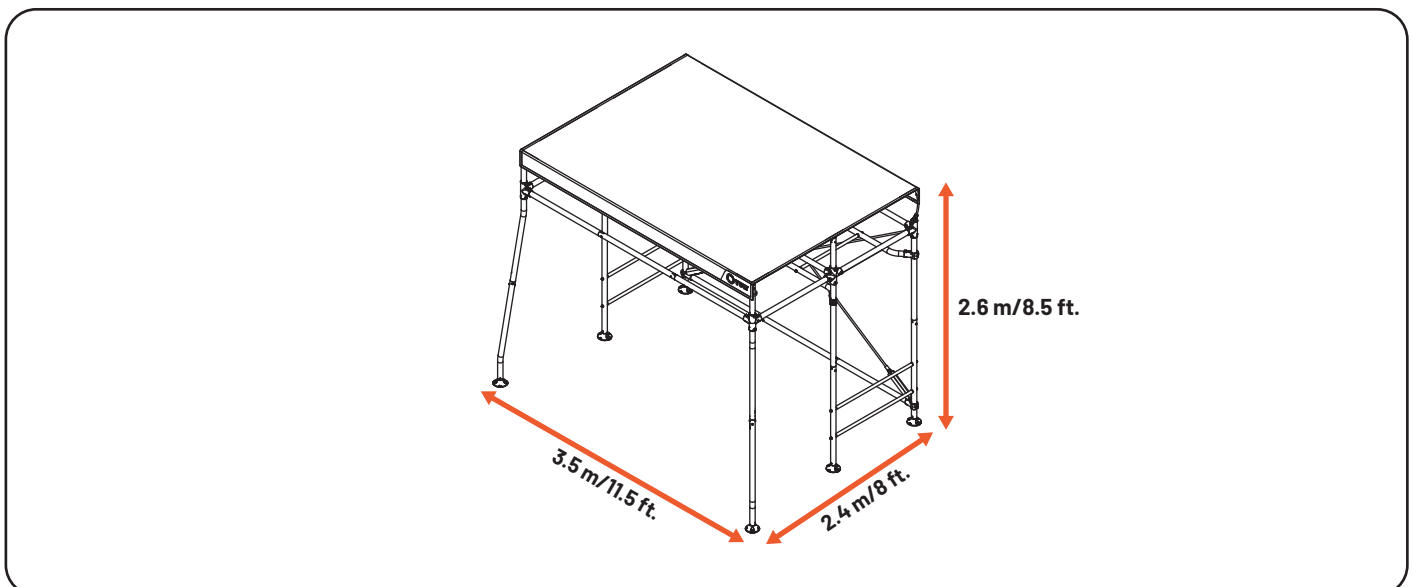
### 4.4. Size Reference / Référence de Taille / Größenangabe / Afmetingsreferentie

Take note of the overall size of the product. Ensure a big enough area is cleared and that no obstacles are within the area of installation. Identify any trees with limbs that pose a risk of falling and damaging the product.

Tenez compte de la taille totale du produit. Assurez-vous à dégager une zone suffisamment grande et à ce qu'aucun obstacle ne se trouve dans la zone d'installation. Identifiez tout arbre dont les branches pourraient tomber et endommager le produit.

Beachten Sie die Gesamtgröße des Produkts. Sorgen Sie dafür, dass ein ausreichend großer Bereich freigeräumt ist und sich keine Hindernisse innerhalb der Installationsfläche befinden. Achten Sie auf Bäume mit Ästen, die abbrechen und das Produkt beschädigen könnten.

Houd rekening met de totale afmetingen van het product. Zorg dat er een voldoende groot gebied is vrijgemaakt en dat er zich geen obstakels binnen de installatieruimte bevinden. Identificeer bomen met takken die een risico vormen om af te breken en het product te beschadigen.



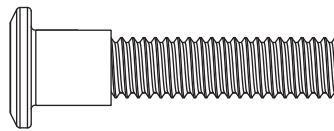
## 4.5. Fasteners / Fixations / Befestigungselemente / Bevestigingsmiddelen

The following diagrams are 1:1 scale. These can be found throughout the manual to help identify the right fasteners to use. Allen keys will be provided for tightening the fasteners. The 5mm Allen key can be used to tighten the fasteners in the box on the top and the 6mm Allen key can be used to tighten the fastener in the box on the bottom.

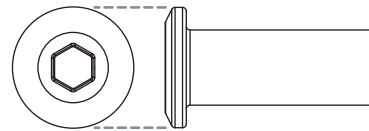
Les schémas suivants sont à l'échelle 1:1. Ils se trouvent tout au long du manuel pour vous aider à identifier les bonnes fixations à utiliser. Des clés Allen seront fournies pour le serrage des fixations. La clé Allen de 5 mm peut être utilisée pour serrer les fixations dans la boîte du haut, et la clé Allen de 6 mm pour celles dans la boîte du bas.

Die folgenden Abbildungen sind im Maßstab 1:1 dargestellt. Sie helfen Ihnen dabei, die richtigen Befestigungen zu identifizieren und finden sich im gesamten Handbuch. Für das Anziehen der Befestigungen werden Inbusschlüssel mitgeliefert. Der 5 mm-Inbusschlüssel kann zum Festziehen der Befestigung im oberen Kasten und der 6 mm-Inbusschlüssel für die im unteren Kasten verwendet werden.

De onderstaande diagrammen zijn op schaal 1:1. Deze vind je door de hele handleiding om te helpen bij het identificeren van de juiste bevestigingsmiddelen. Inbussleutels worden meegeleverd voor het aandraaien van de bevestigingsmiddelen. De 5 mm-inbussleutel kan worden gebruikt om de bevestigingsmiddelen in het bovenste vak vast te draaien en de 6 mm-inbussleutel kan worden gebruikt om het bevestigingsmiddel in het onderste vak vast te draaien.



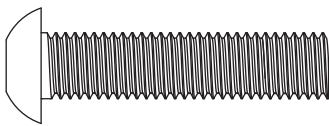
**M8x40**



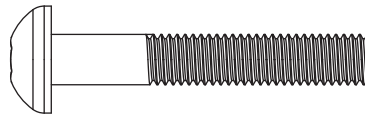
**M8 RBN**



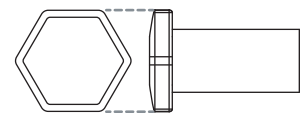
**5MK**



**M10x45**



**M8x50**



**M8 HBN**



**6MK**



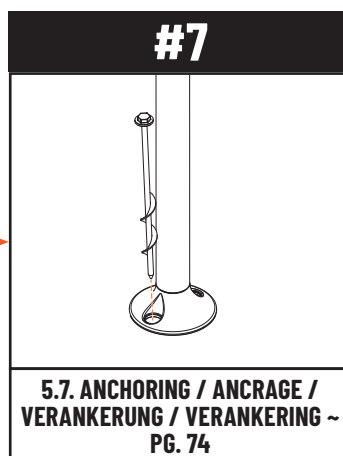
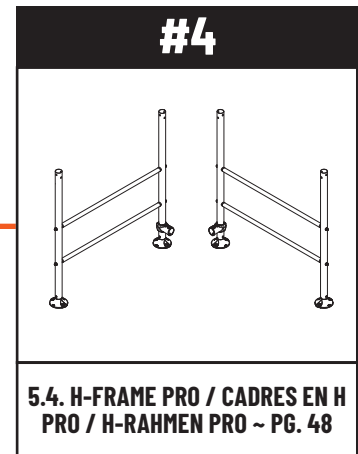
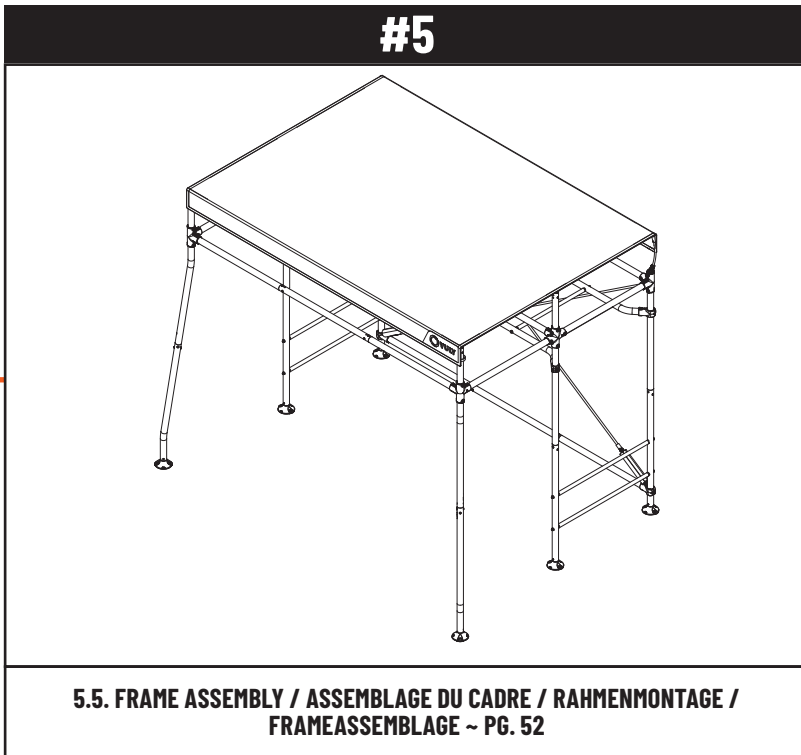
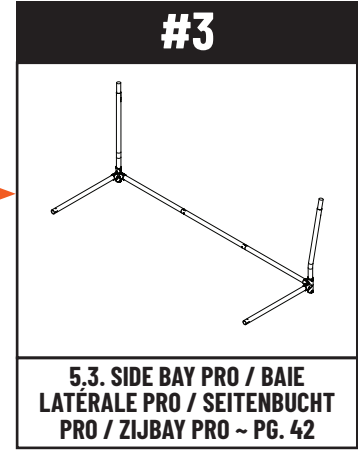
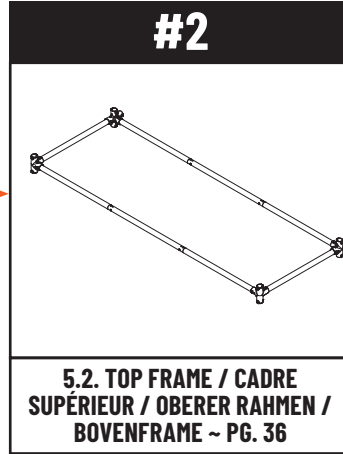
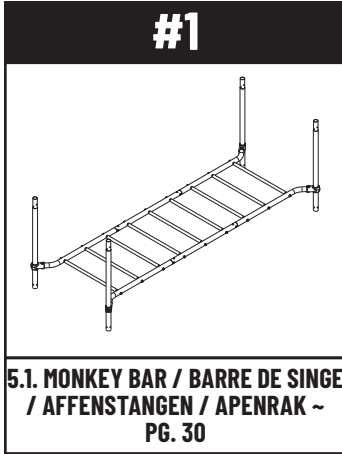
## 4.6. Road Map / Feuille de Route / Bauplan / Routekaart

Construction of the playset is broken up into the following sections. Follow this manual in sequence to help you build the complete playset.

La construction de l'aire de jeu est divisée en plusieurs sections. Suivez ce manuel dans l'ordre pour vous aider à assembler l'aire de jeu complète.

Der Aufbau des Spielgeräts ist in die folgenden Abschnitte unterteilt. Folgen Sie diesem Handbuch Schritt für Schritt, um das komplette Spielgerät zusammenzubauen.

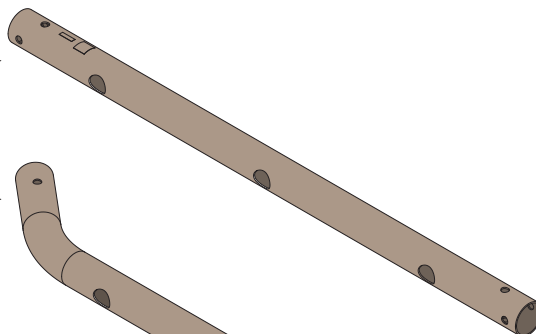
De constructie van het speeltoestel is onderverdeeld in de volgende secties. Volg deze handleiding in de juiste volgorde om het volledige speeltoestel te bouwen.



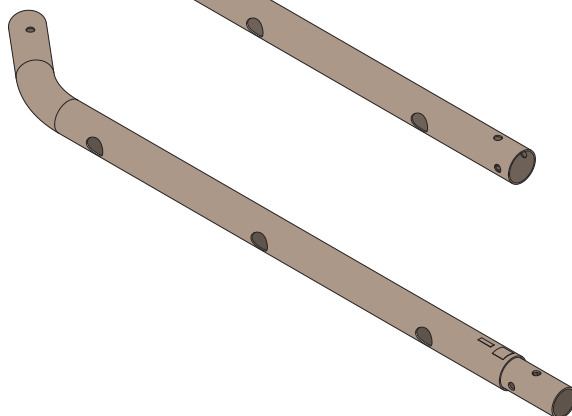
## 4.7. Parts and Components / Pièces et Composants / Teile und Komponenten / Onderdelen en Componenten

### MB1

MB2 x2

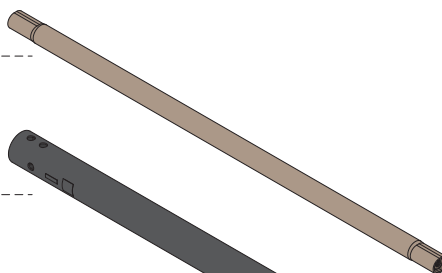


MB4 x4

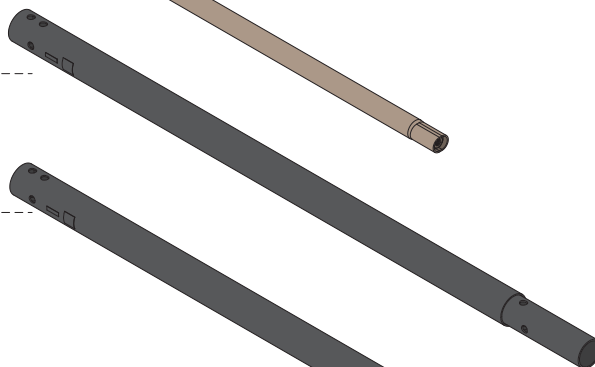


### MB2

MB x9



T2 x2



T3 x1



### A

T2 x4



T3 x4



# B

T2 2x

T3 3x



**C****x2**

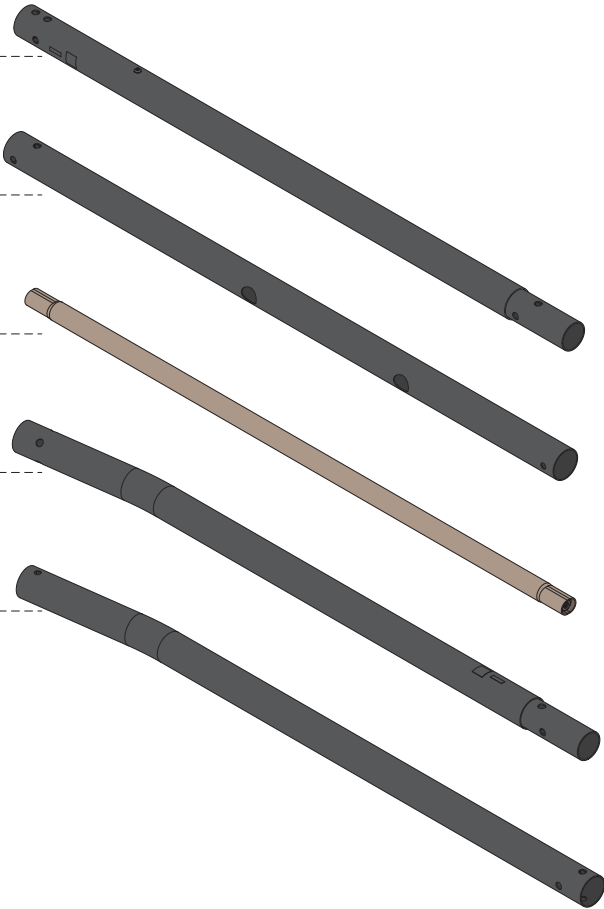
T1 x2

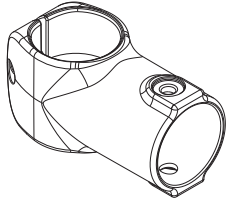
T4 x2

T5 x2

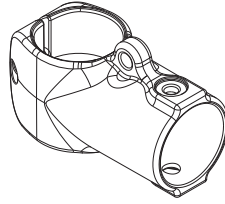
L1 x1

L2 x1

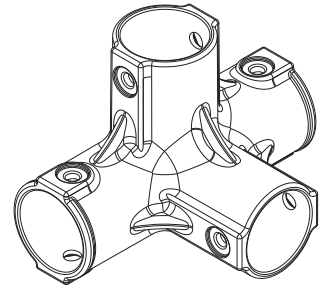




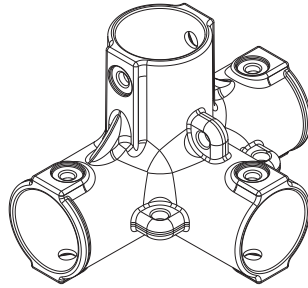
**x4  
AJ**



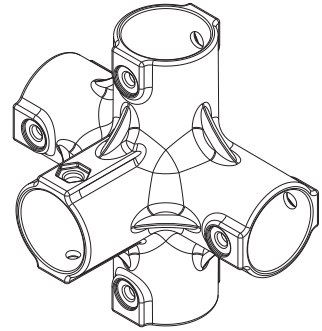
**x2  
AJCB**



**x2  
4J**



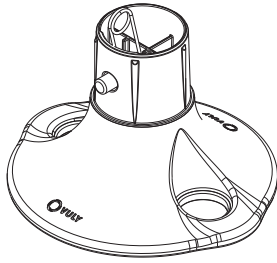
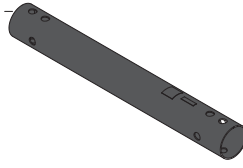
**x2  
4JCB**



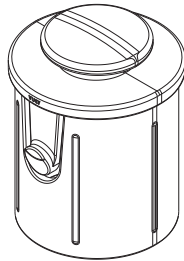
**x2  
5J**

# M

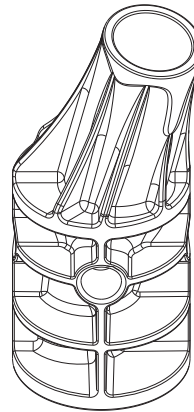
S1 x4



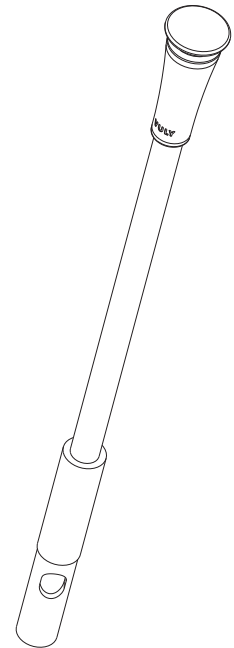
x6  
QF



x4  
SCP



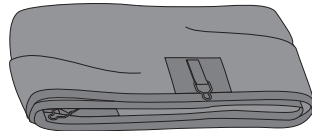
x2  
SPA



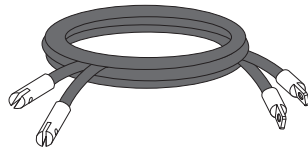
x2  
SPB



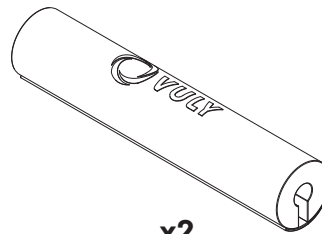
x6  
AK



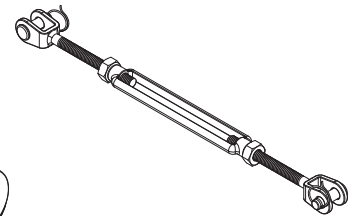
x1  
M-SC



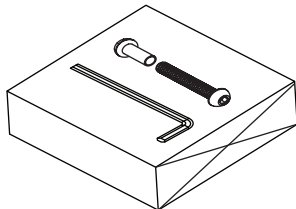
x1  
M/L-CB



x2  
TBC



x2  
TB



x1  
M-HW



## 5.0. Assembly Instructions / Instructions d'Assemblage / Montageanleitung / Montage-instructies

### 5.1.

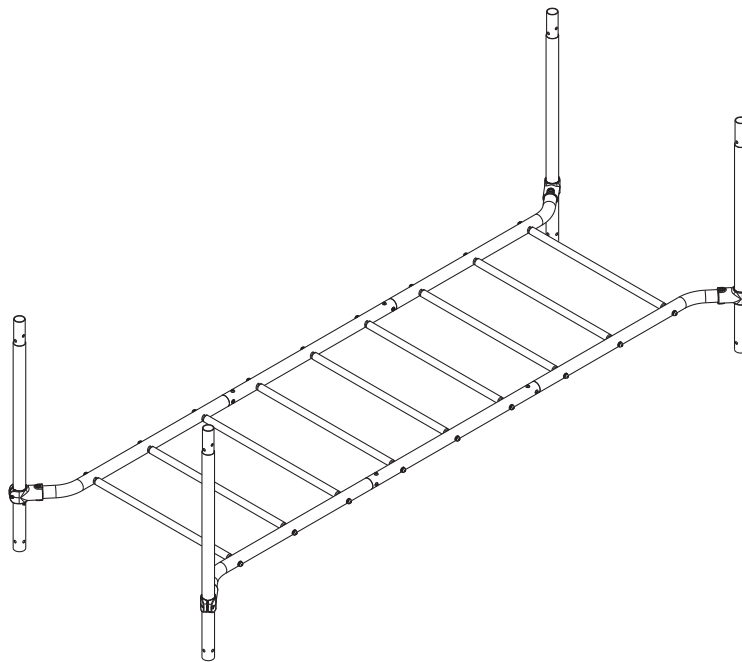
## MONKEY BAR / BARRE DE SINGE / AFFENSTANGEN / APENRAK

DURING ASSEMBLY,  
ENSURE BOLTS AND NUTS  
ARE FINGER TIGHTENED  
UNTIL DIRECTED TO  
TIGHTEN FIRMLY.

PENDANT LE MONTAGE,  
ASSUREZ-VOUS À CE QUE LES  
BOULONS ET ÉCROUS SOIENT  
SERRÉS À LA MAIN JUSQU'À  
CE QU'IL SOIT INDIQUÉ DE LES  
SERRER FERMEMENT.

WÄHREND DER MONTAGE MÜSSEN  
SCHRAUBEN UND MUTTERN  
ZUNÄCHST NUR MIT DEN FINGERN  
ANGEZOGEN WERDEN, BIS ZUM  
ZEITPUNKT DER ENDGÜLTIGEN  
BEFESTIGUNG.

TIJDENS DE MONTAGE, DRAAI JE  
BOUTEN EN MOEREN EERST MET  
DE HAND AAN EN PAS STEVIG  
VAST WANNEER DIT WORDT  
AANGEGEVEN.



### Required Boxes / Boîtes Requises / Erforderliche Kartons / Vereiste dozen

MB1

C X2

M

MB2

JM

### Required Components / Composants Requis / Erforderliche Komponenten / Vereiste componenten

#### Tubes / Rohre / Buizen

- MB2 .....x2
- MB4 .....x4
- MB .....x9
- T1 .....x4

#### Joiners / Raccords / Verbindungen / Verbinders

- AJ .....x4

#### Fasteners / Fixations / Befestigungselemente / Bevestigingsmiddelen

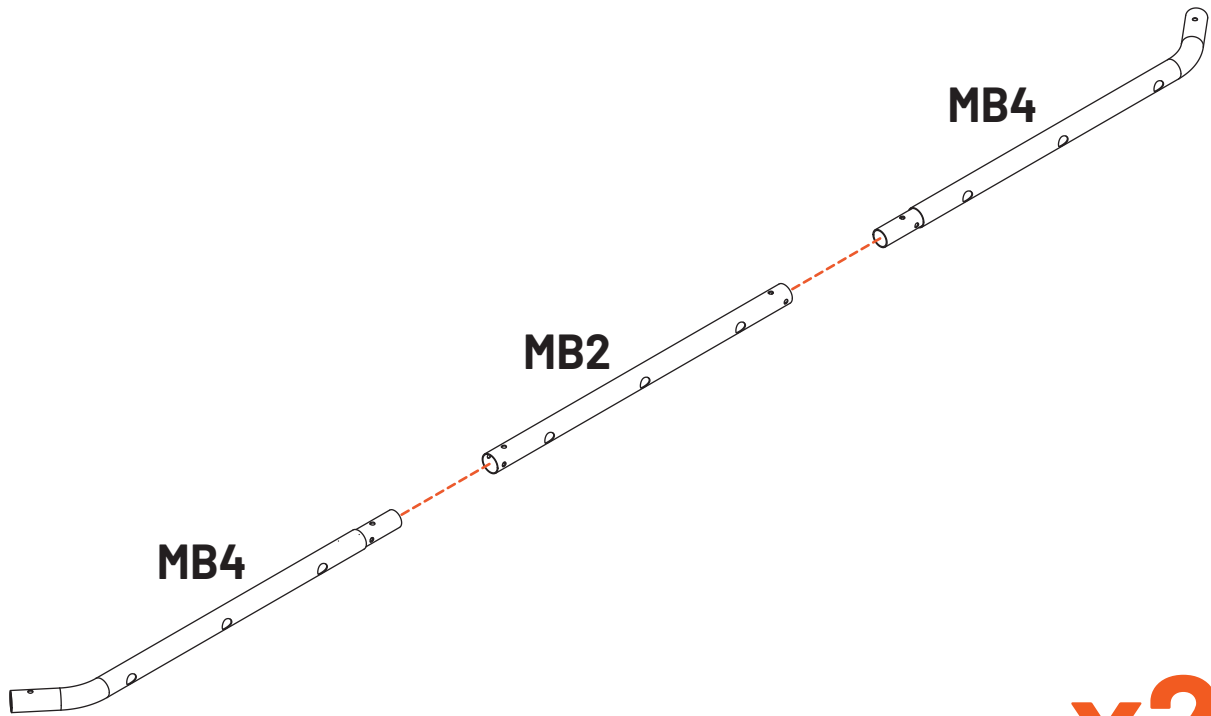
- M8x40 .....x8
- M8x50 .....x4
- M10x45 .....x18
- M8 RBN .....x8
- M8 HBN .....x4
- M10 SW .....x18
- M10 PW .....x18

#### Tools / Outils / Werkzeuge / Gereedschap

- 6MK .....x1
- 5MK .....x2

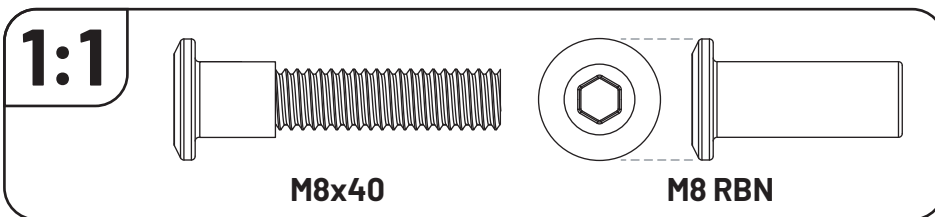
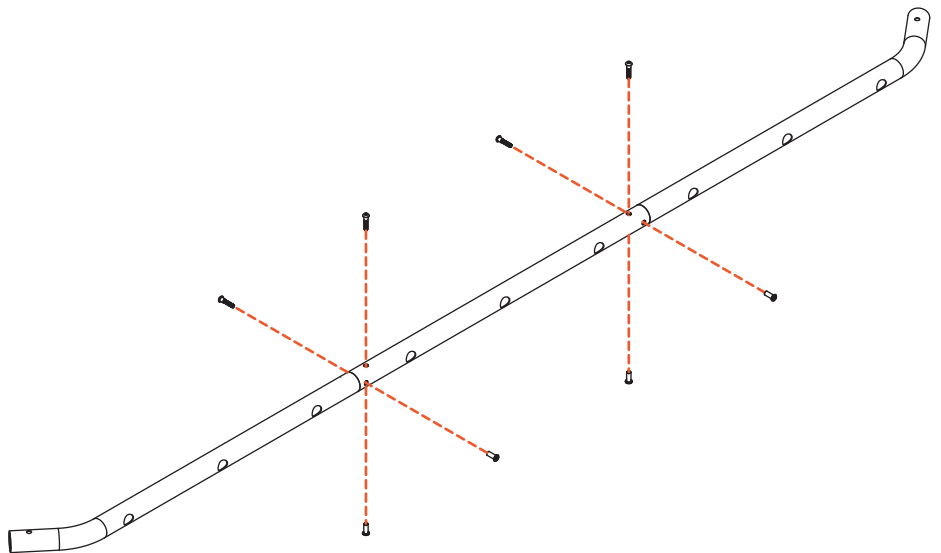
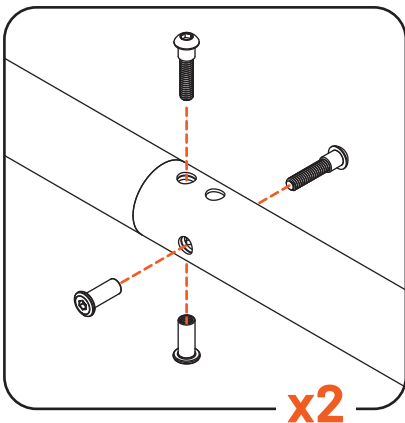


# 1



# x2

# 2



# x2



**WARNING!** Only finger tighten fasteners at this step.

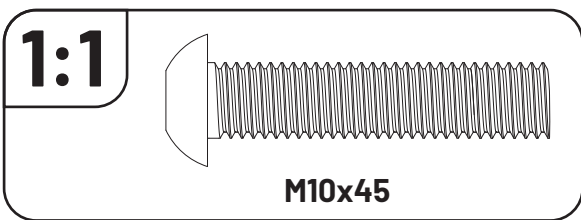
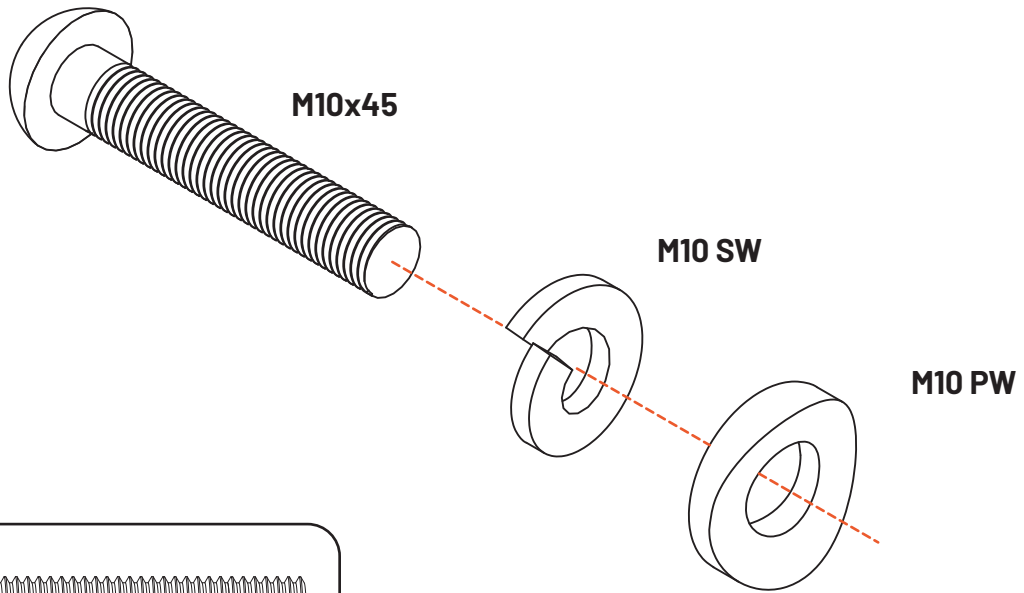
**ATTENTION!** Ne serrez les fixations qu'à la main à cette étape.

**ACHTUNG!** Befestigungselemente in diesem Schritt nur von Hand anziehen.

**WAARSCHUWING!** Draai de bevestigingsmiddelen in deze stap alleen met de hand aan.

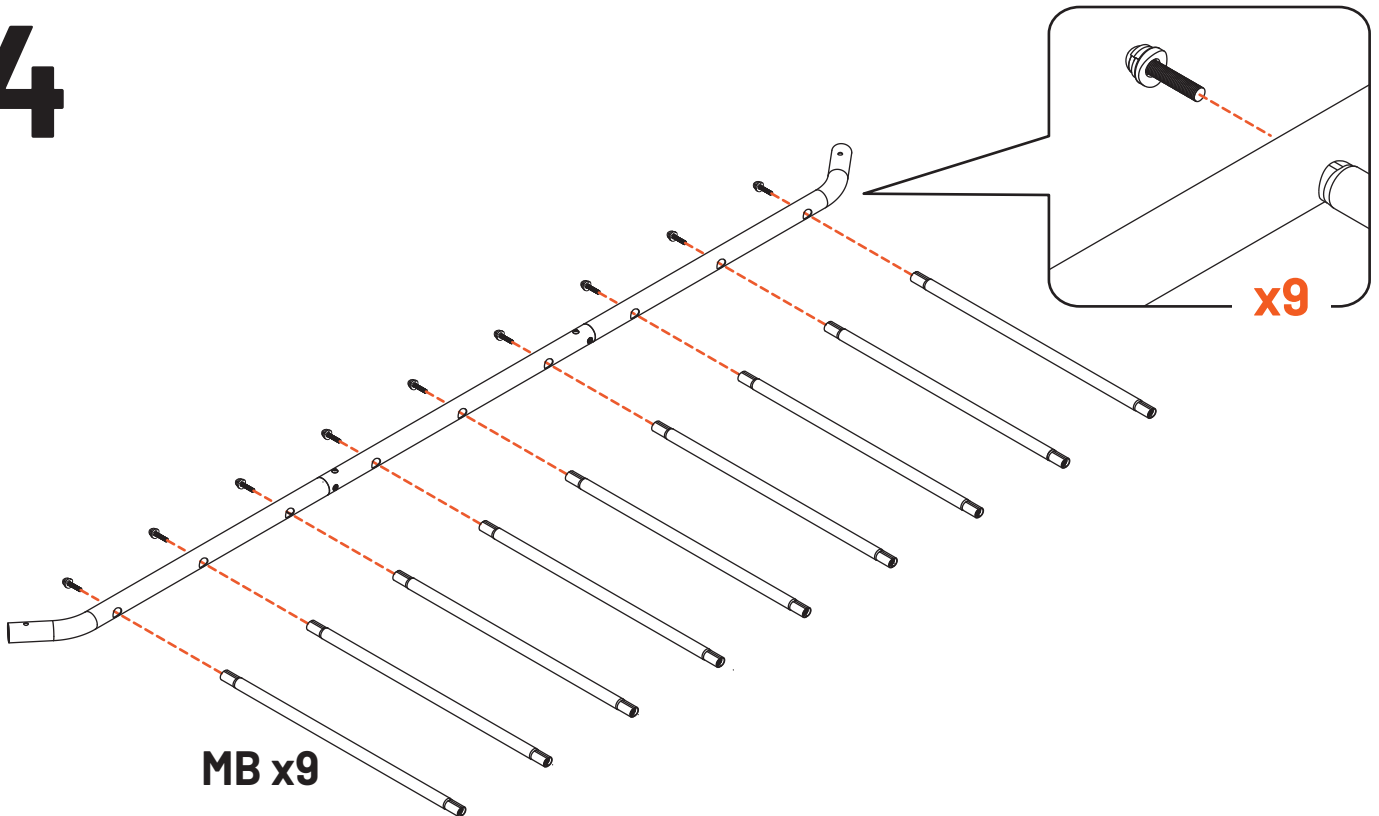


# 3



# x18

# 4



**WARNING!** Only finger tighten fasteners at this step.

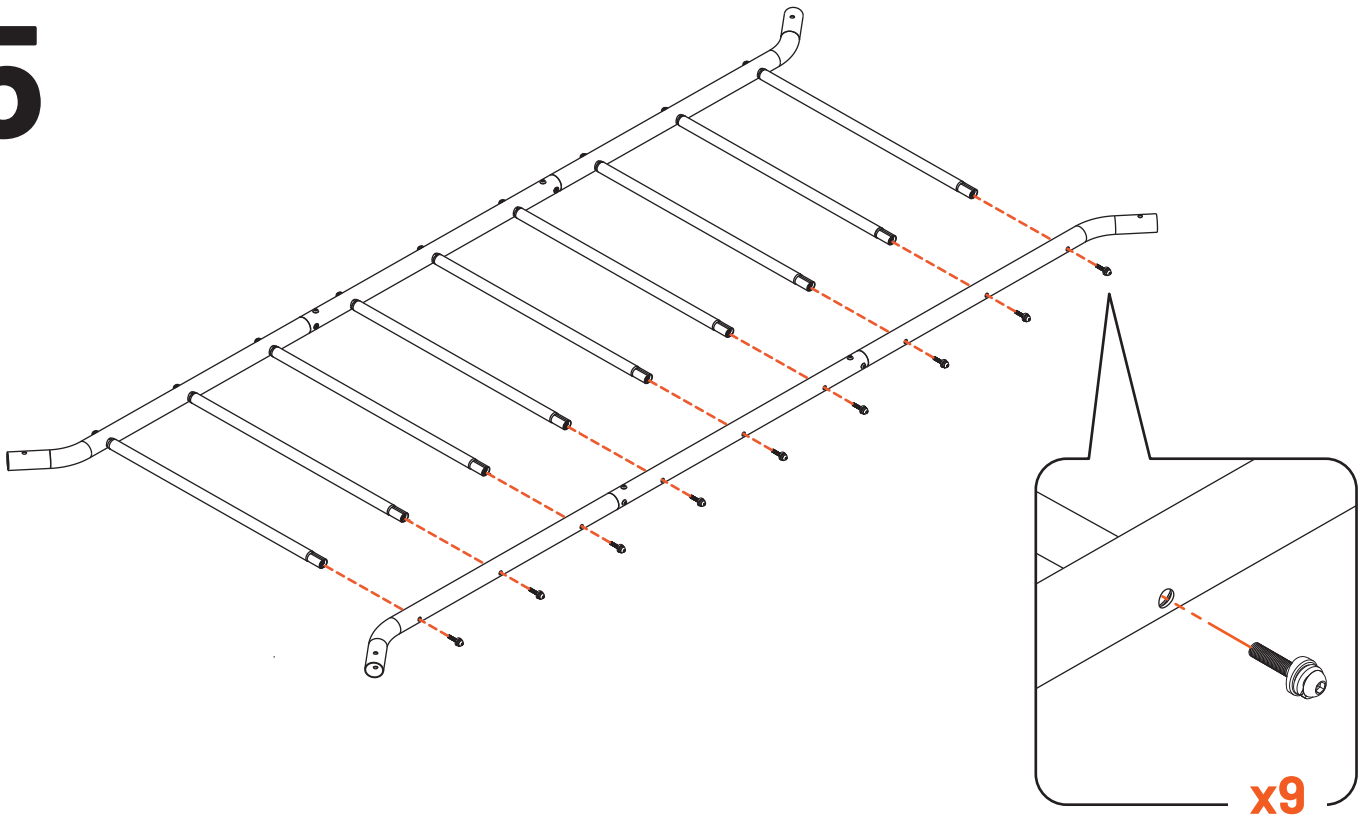
**ATTENTION!** Ne serrez les fixations qu'à la main à cette étape.

**ACHTUNG!** Befestigungselemente in diesem Schritt nur von Hand anziehen.

**WAARSCHUWING!** Draai de bevestigingsmiddelen in deze stap alleen met de hand aan.



# 5



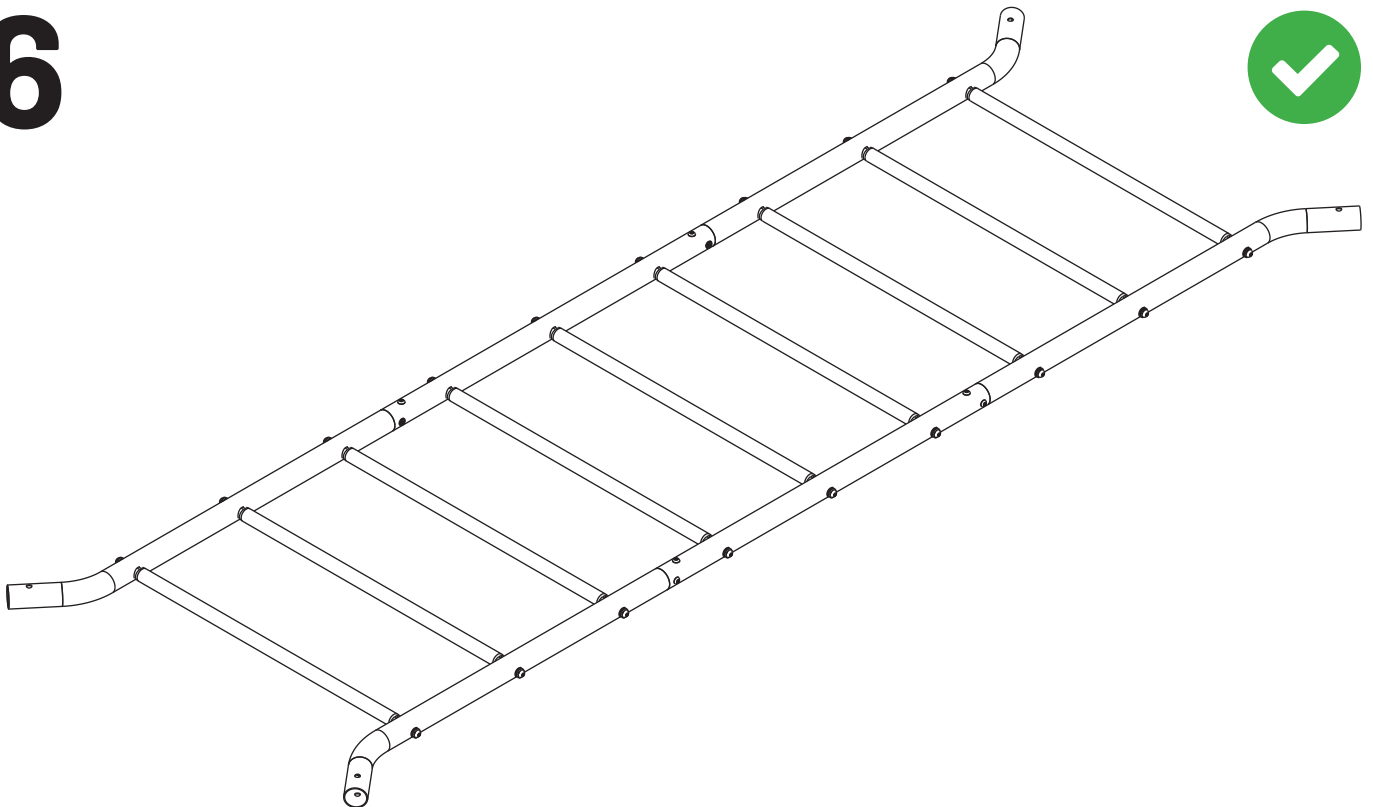
**WARNING!** Only finger tighten fasteners at this step.

**ATTENTION!** Ne serrez les fixations qu'à la main à cette étape.

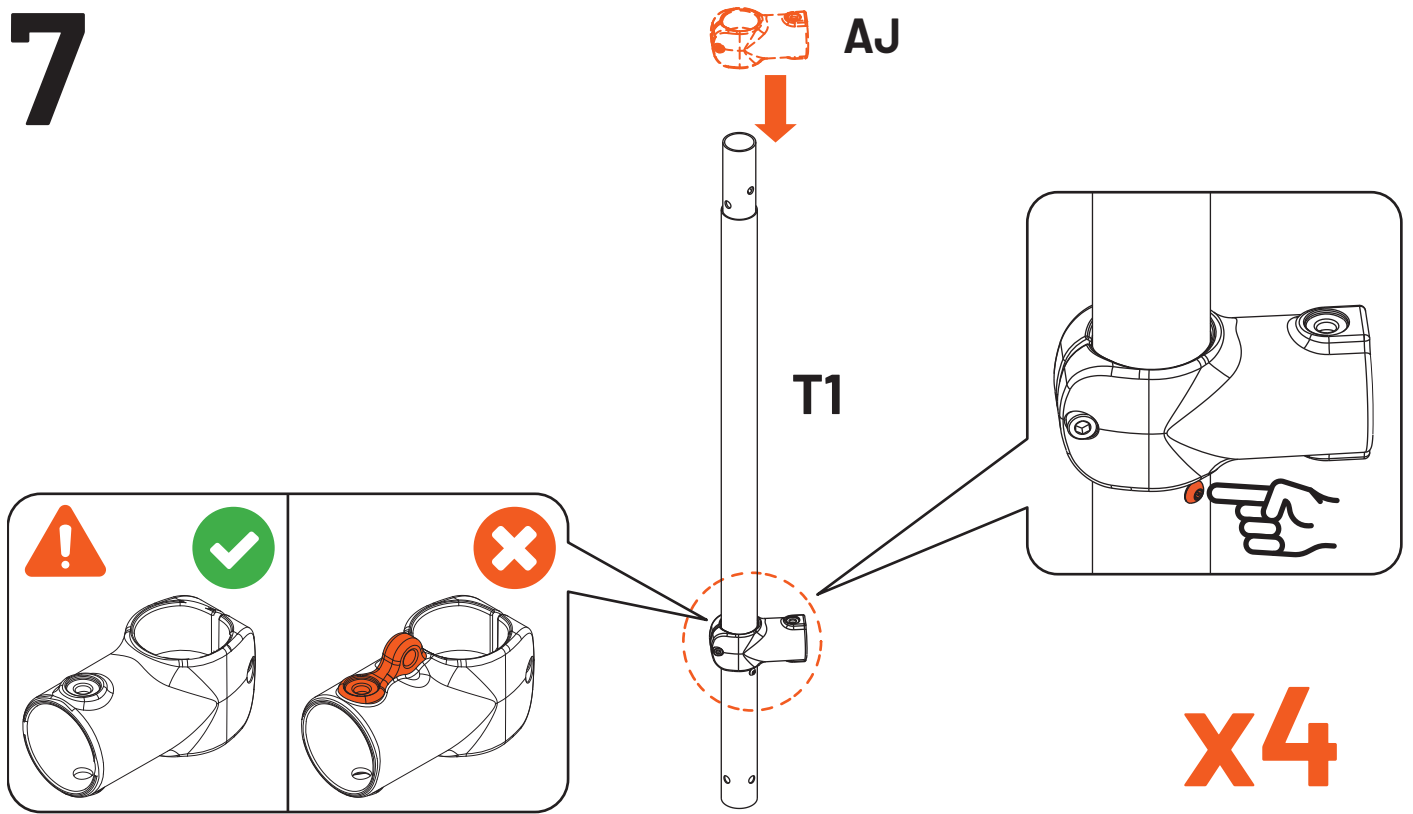
**ACHTUNG!** Befestigungselemente in diesem Schritt nur von Hand anziehen.

**WAARSCHUWING!** Draai de bevestigingsmiddelen in deze stap alleen met de hand aan.

# 6



# 7



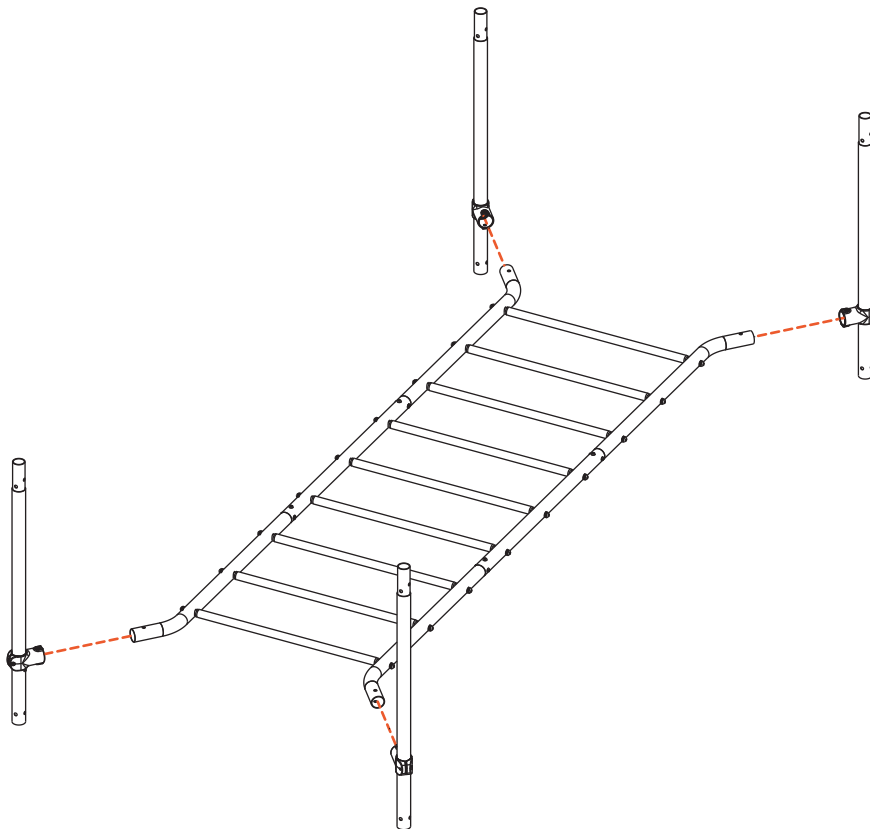
**WARNING!** Do not use AJCB. Ensure regular AJ are used.

**ATTENTION!** N'utilisez pas l'AJCB. Utilisez uniquement les AJ standards.

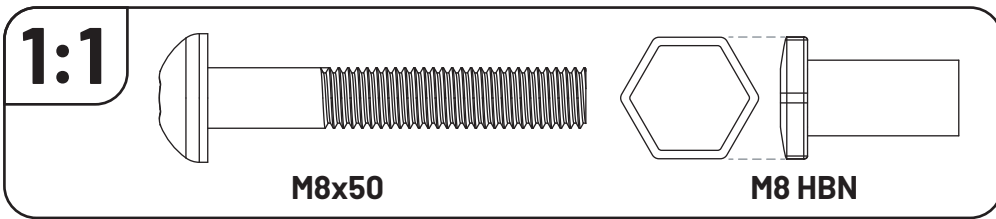
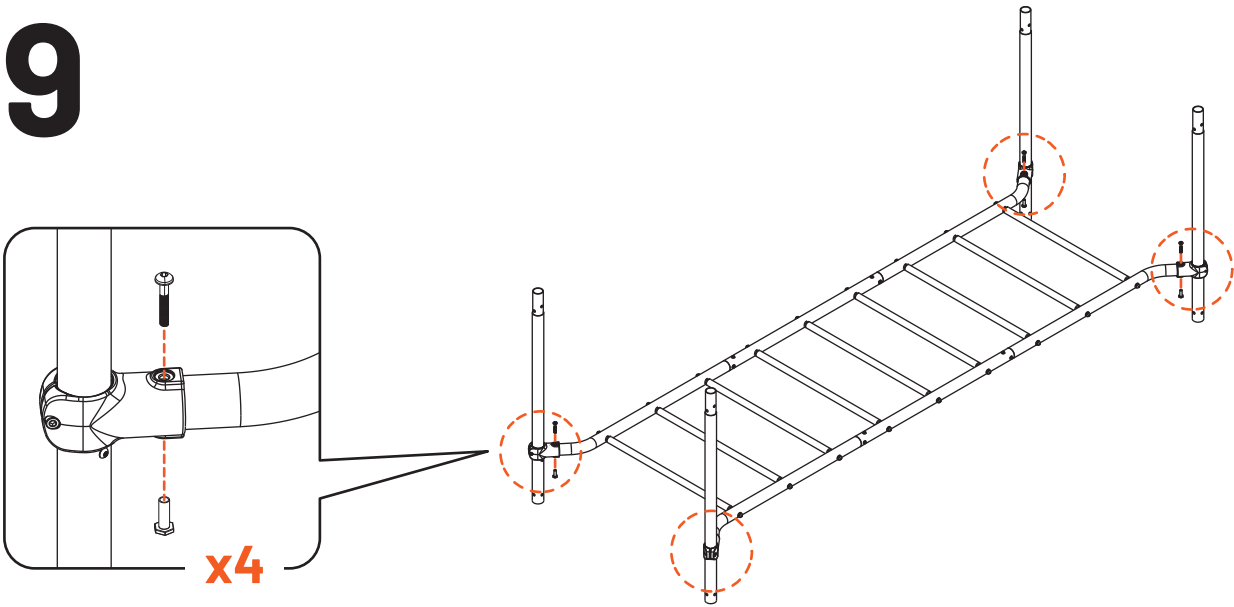
**ACHTUNG!** Verwenden Sie kein AJCB. Stellen Sie sicher, dass reguläre AJ verwendet werden.

**WAARSCHUWING!** Gebruik AJCB niet. Zorg ervoor dat gewone AJ worden gebruikt.

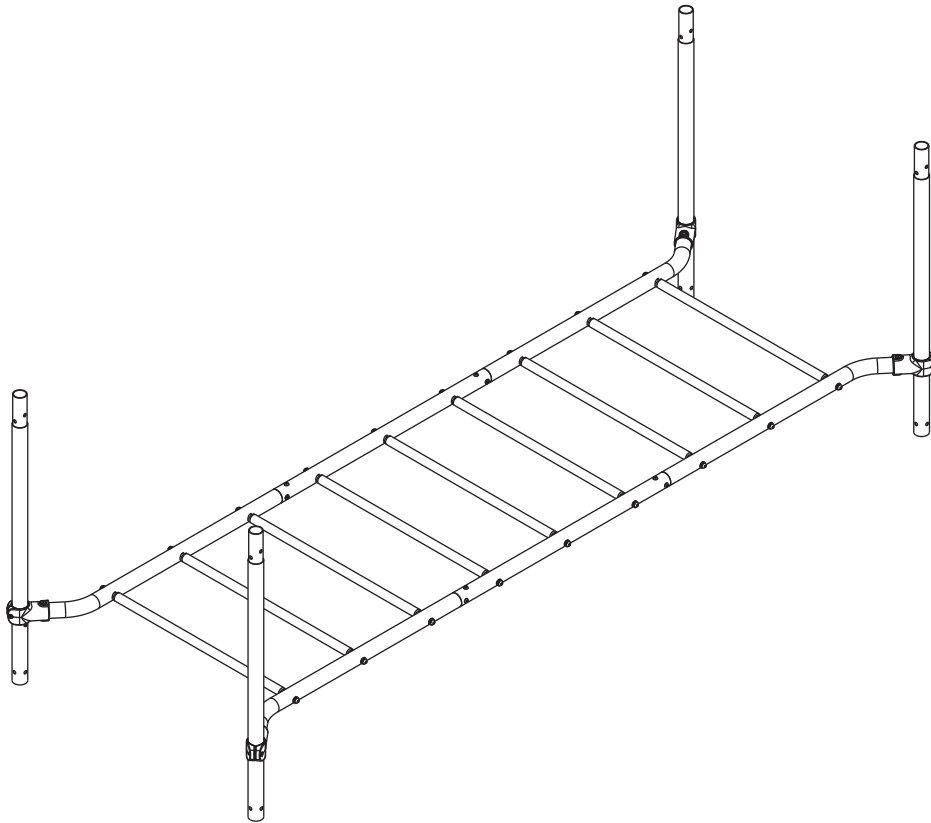
# 8



# 9



# 10



## 5.2.

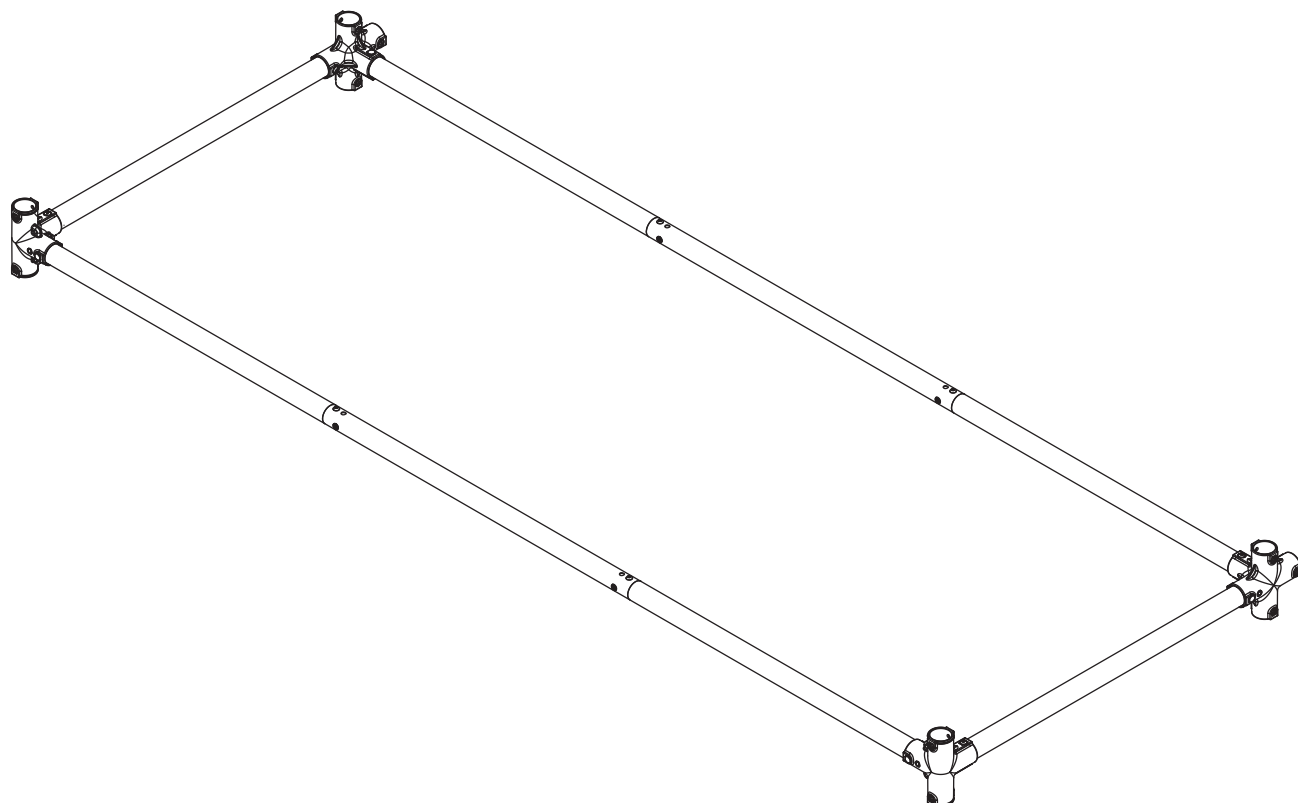
# TOP FRAME / CADRE SUPÉRIEUR / OBERER RAHMEN / BOVENFRAME

DURING ASSEMBLY,  
ENSURE BOLTS AND NUTS  
ARE FINGER TIGHTENED  
UNTIL DIRECTED TO  
TIGHTEN FIRMLY.

PENDANT LE MONTAGE,  
ASSUREZ-VOUS À CE QUE LES  
BOULONS ET ÉCROUS SOIENT  
SERRÉS À LA MAIN JUSQU'À  
CE QU'IL SOIT INDIQUÉ DE LES  
SERRER FERMEMENT.

WÄHREND DER MONTAGE MÜSSEN  
SCHRAUBEN UND MUTTERN  
ZUNÄCHST NUR MIT DEN FINGERN  
ANGEZOGEN WERDEN, BIS ZUM  
ZEITPUNKT DER ENDGÜLTIGEN  
BEFESTIGUNG.

TIJDENS DE MONTAGE, DRAAI JE  
BOUTEN EN MOEREN EERST MET  
DE HAND AAN EN PAS STEVIG  
VAST WANNEER DIT WORDT  
AANGEGEVEN.



### Required Boxes / Boîtes Requises / Erforderliche Kartons / Vereiste dozen

A

M

JM

### Required Components / Composants Requis / Erforderliche Komponenten / Vereiste componenten

#### Tubes / Rohre / Buizen

- T2 .....x4
- T3 .....x4

#### Joiners / Raccords / Verbindungen / Verbinders

- 4JCB .....x2
- 5J .....x2

#### Fasteners / Fixations / Befestigungselemente / Bevestigingsmiddelen

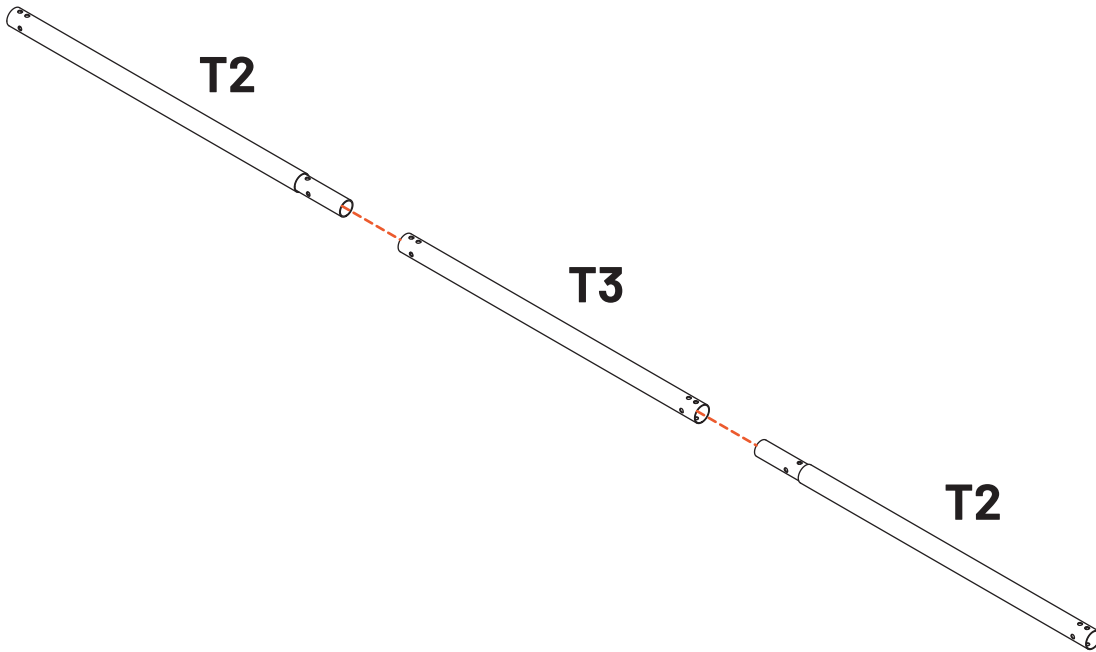
- M8x50 .....x8
- HBN .....x8
- M8x40 .....x8
- RBN .....x8

#### Tools / Outils / Werkzeuge / Gereedschap

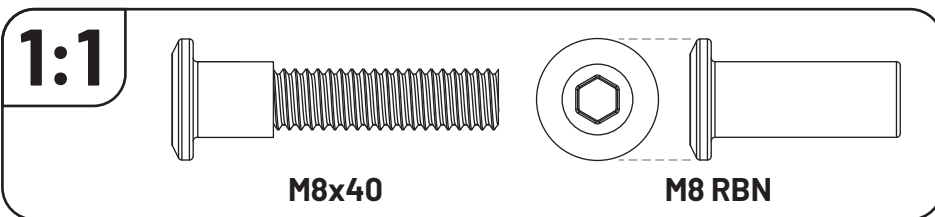
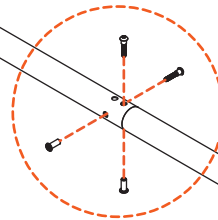
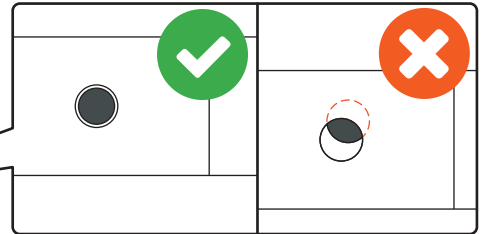
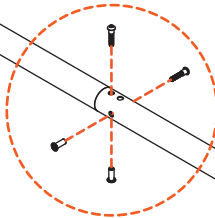
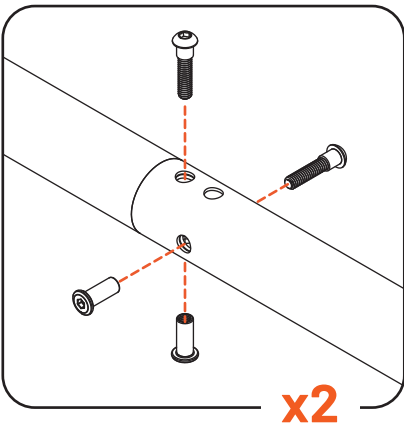
- 6MK .....x1
- 5MK .....x2



# 1



# 2



**WARNING!** Ensure that holes are aligned correctly before inserting fasteners.

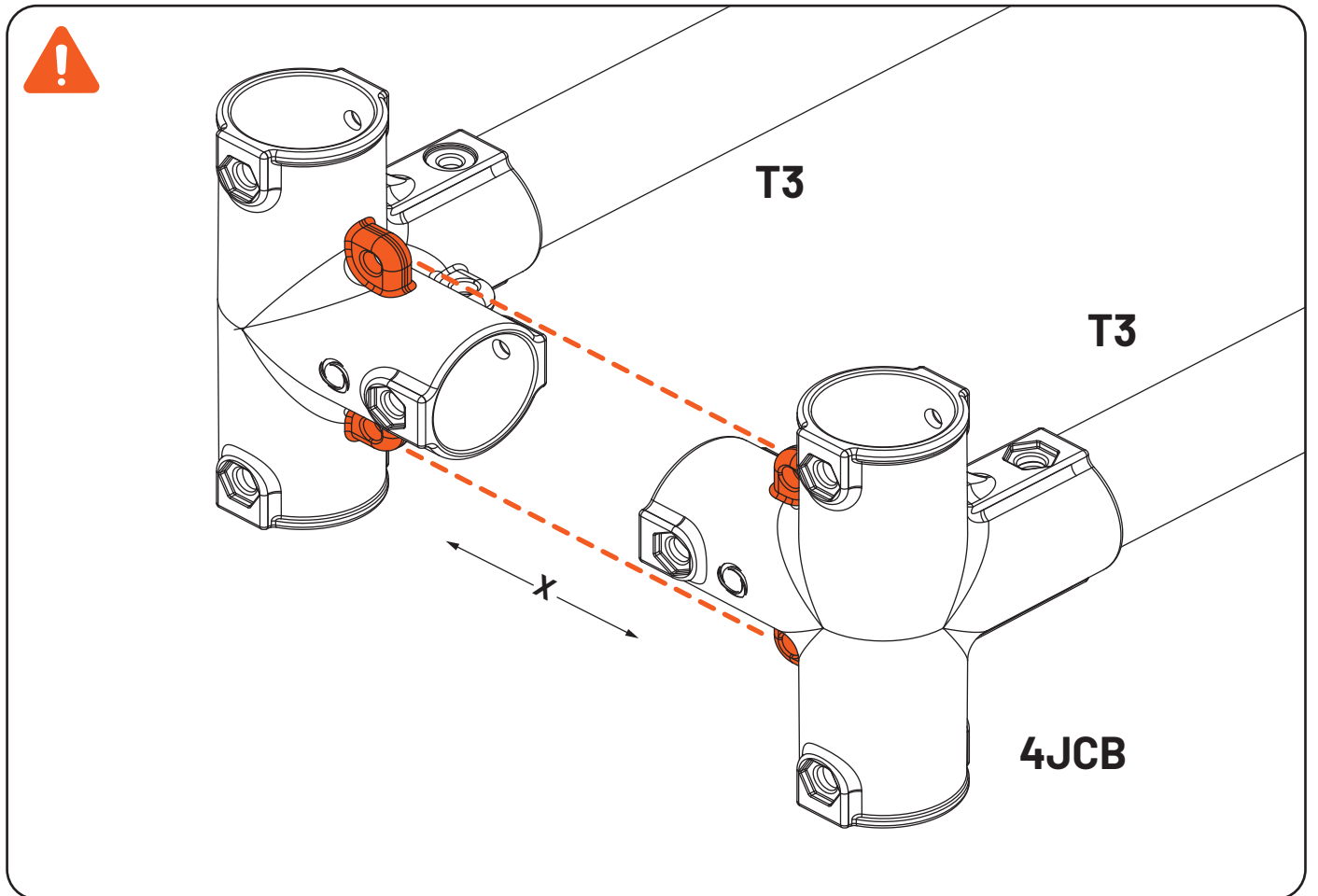
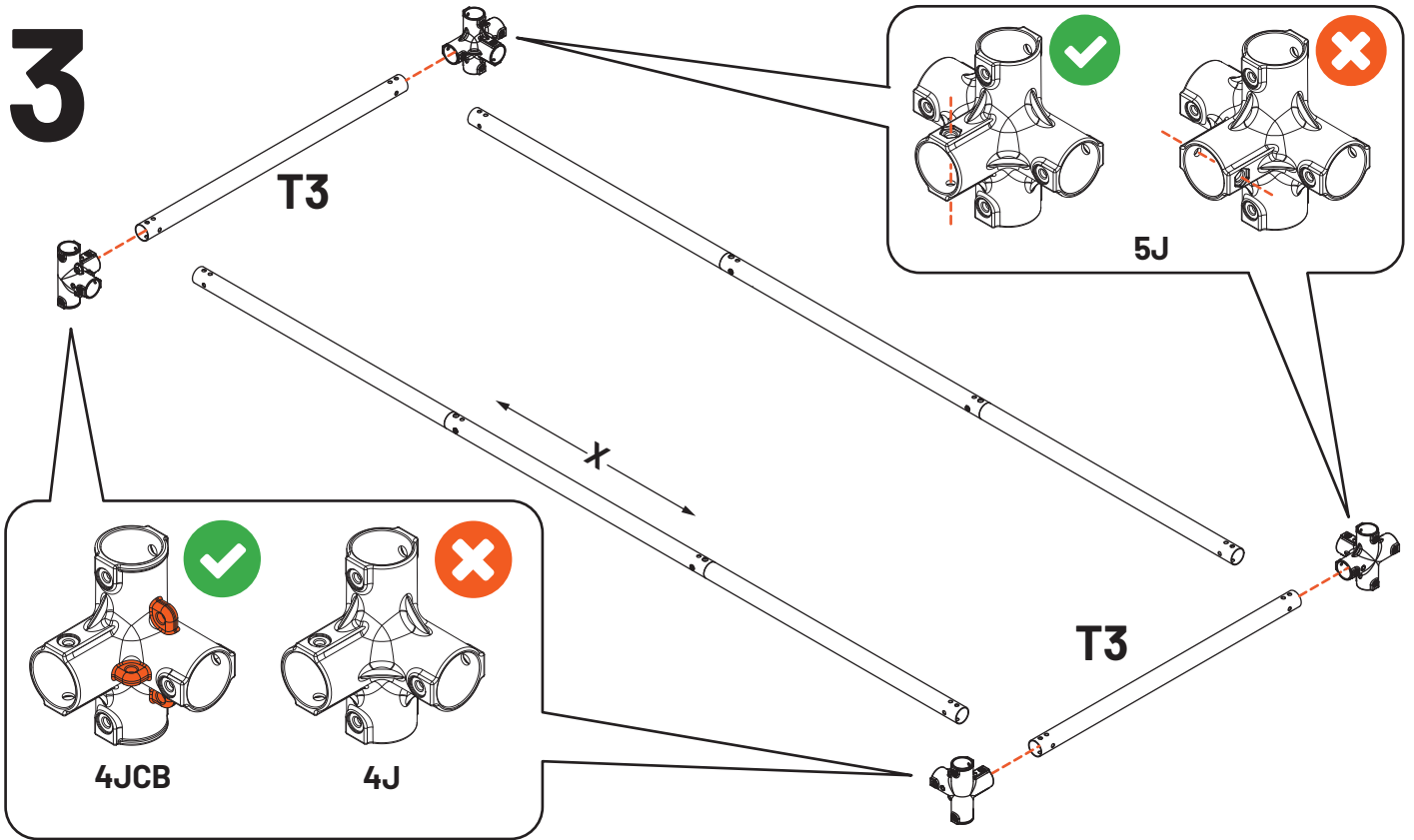
**ATTENTION!** Assurez-vous que les trous sont correctement alignés avant d'insérer les fixations.

**ACHTUNG!** Stellen Sie sicher, dass die Löcher korrekt ausgerichtet sind, bevor Sie Befestigungen einsetzen.

**WAARSCHUWING!** Zorg ervoor dat de gaten correct zijn uitgelijnd voordat de bevestigingsmiddelen worden geplaatst.



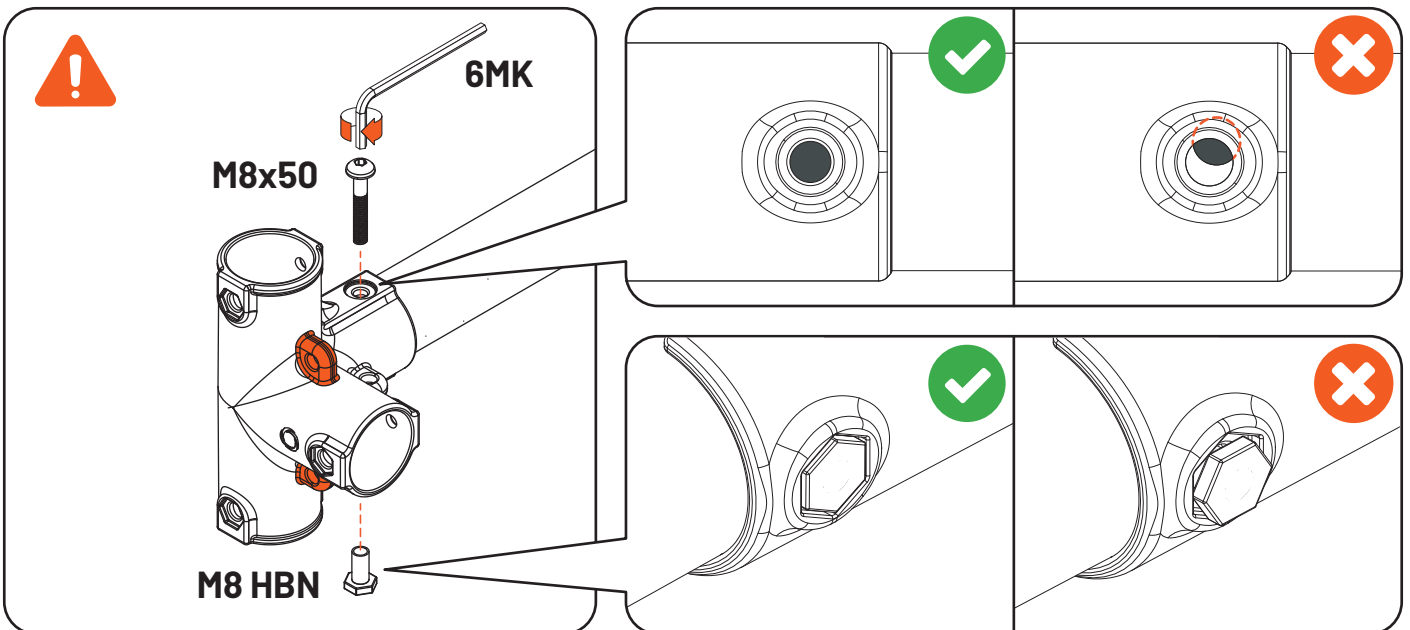
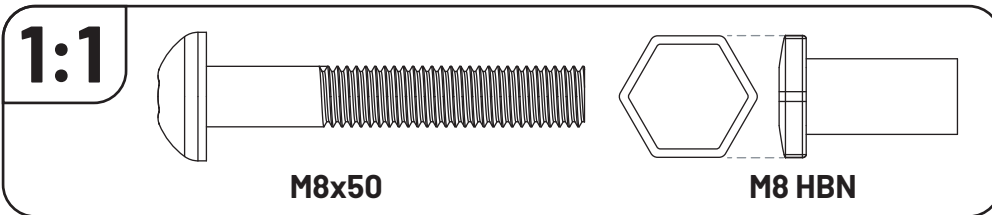
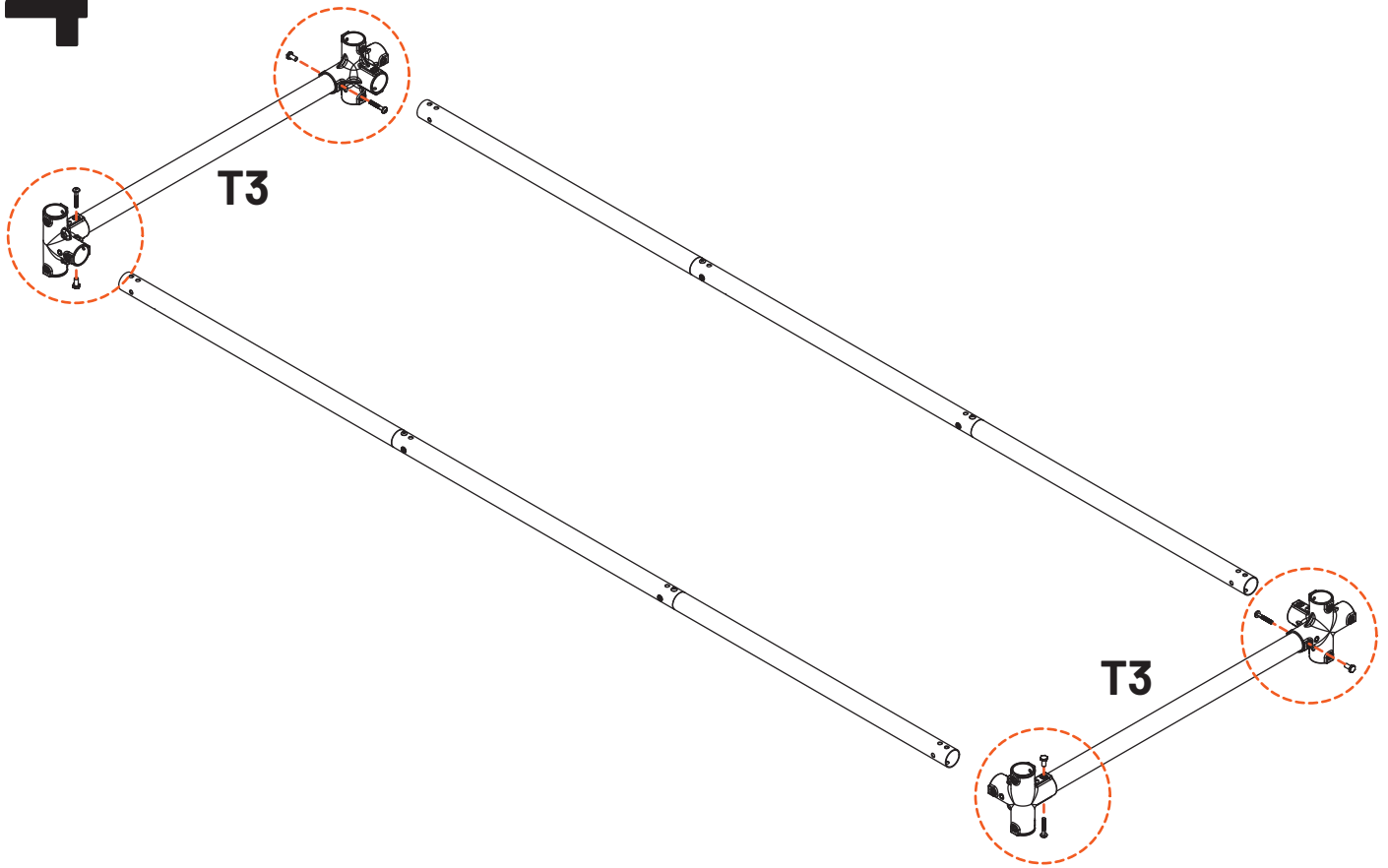
# 3



**WARNING!** Ensure that 4JCB points are used and orientated as shown.  
**ATTENTION!** Assurez-vous que les points de fixation 4JCB sont utilisés et orientés comme indiqué.  
**ACHTUNG!** Stellen Sie sicher, dass 4JCB-Punkte wie gezeigt verwendet und ausgerichtet werden.  
**WAARSCHUWING!** Zorg ervoor dat 4JCB-punten worden gebruikt en georiënteerd zoals aangegeven.



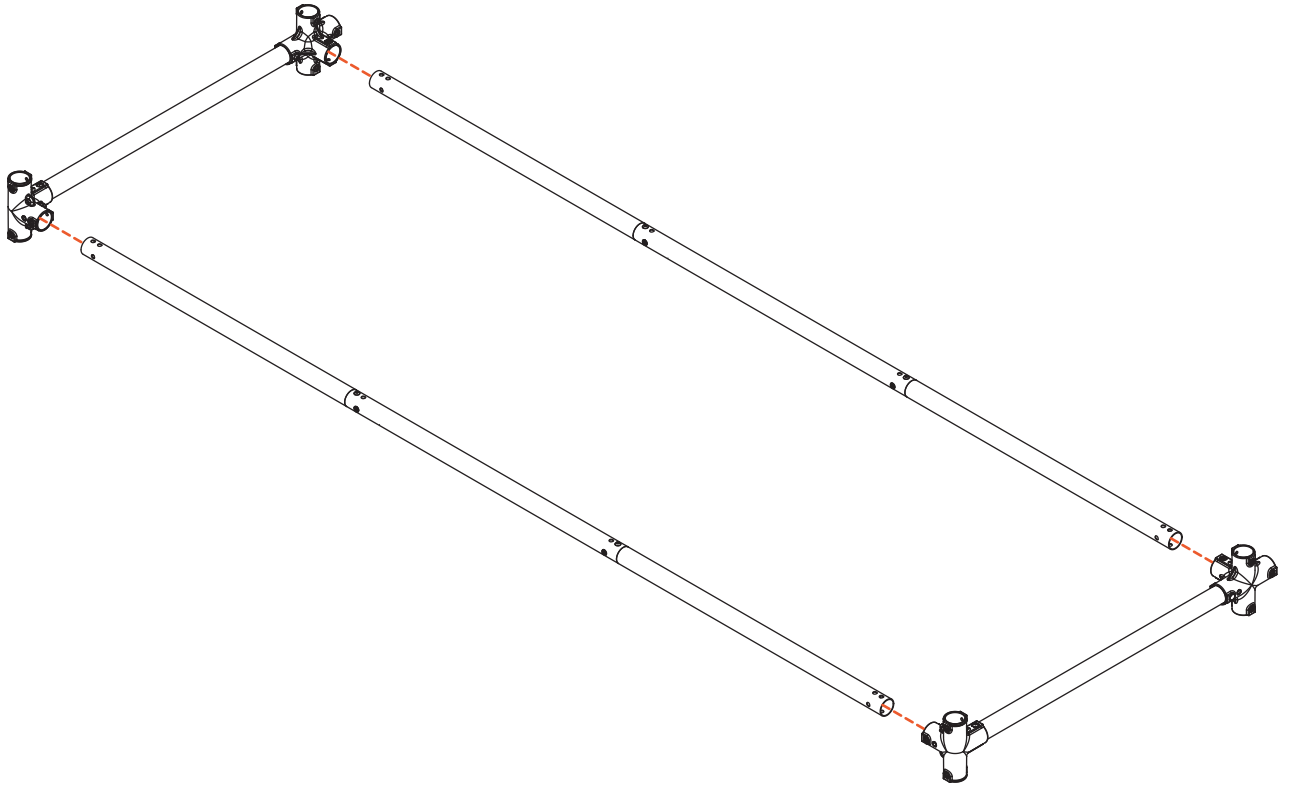
# 4



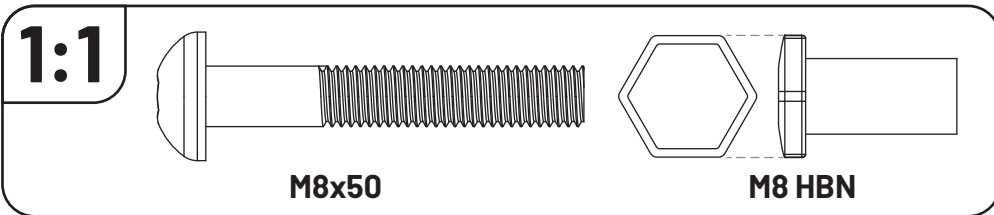
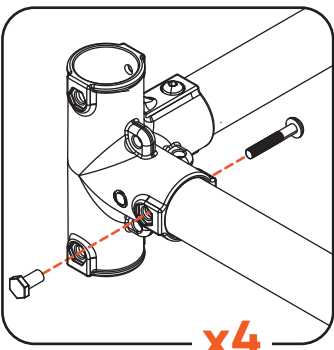
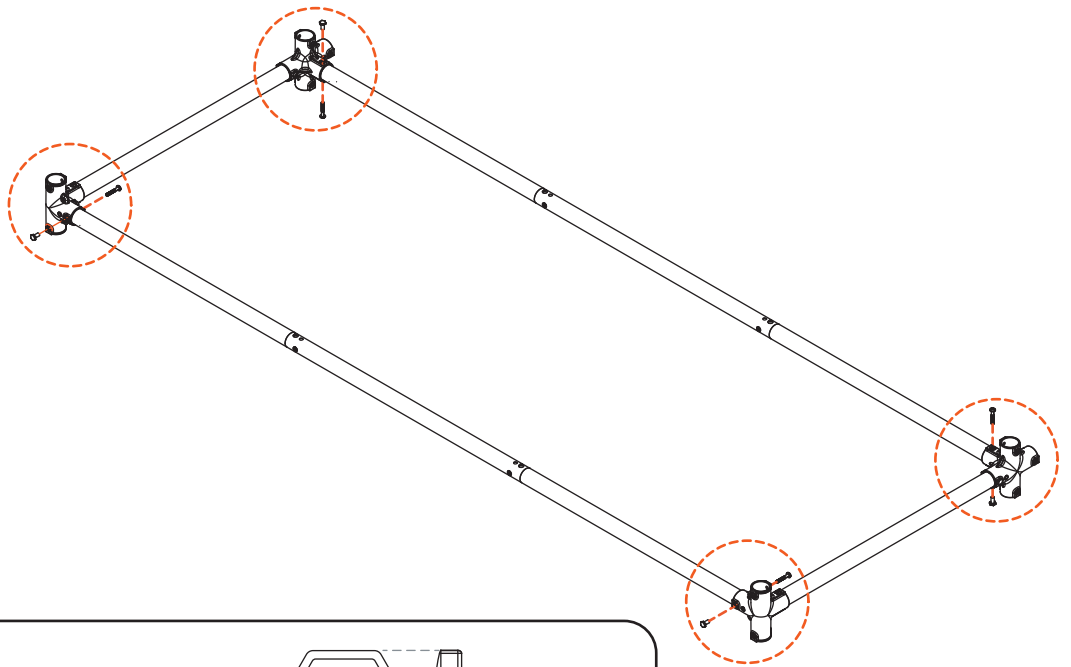
**WARNING!** Ensure that holes are aligned and M8 HBN is seated correctly before inserting M8x50.  
**ATTENTION!** Assurez-vous que les trous sont alignés et que le M8 HBN est correctement en place avant d'insérer le M8x50.  
**ACHTUNG!** Stellen Sie sicher, dass die Löcher ausgerichtet sind und der M8 HBN richtig sitzt, bevor Sie den M8x50 einsetzen.  
**WAARSCHUWING!** Zorg ervoor dat de gaten zijn uitgelijnd en dat de M8 HBN correct is geplaatst voordat de M8x50 wordt ingebracht.



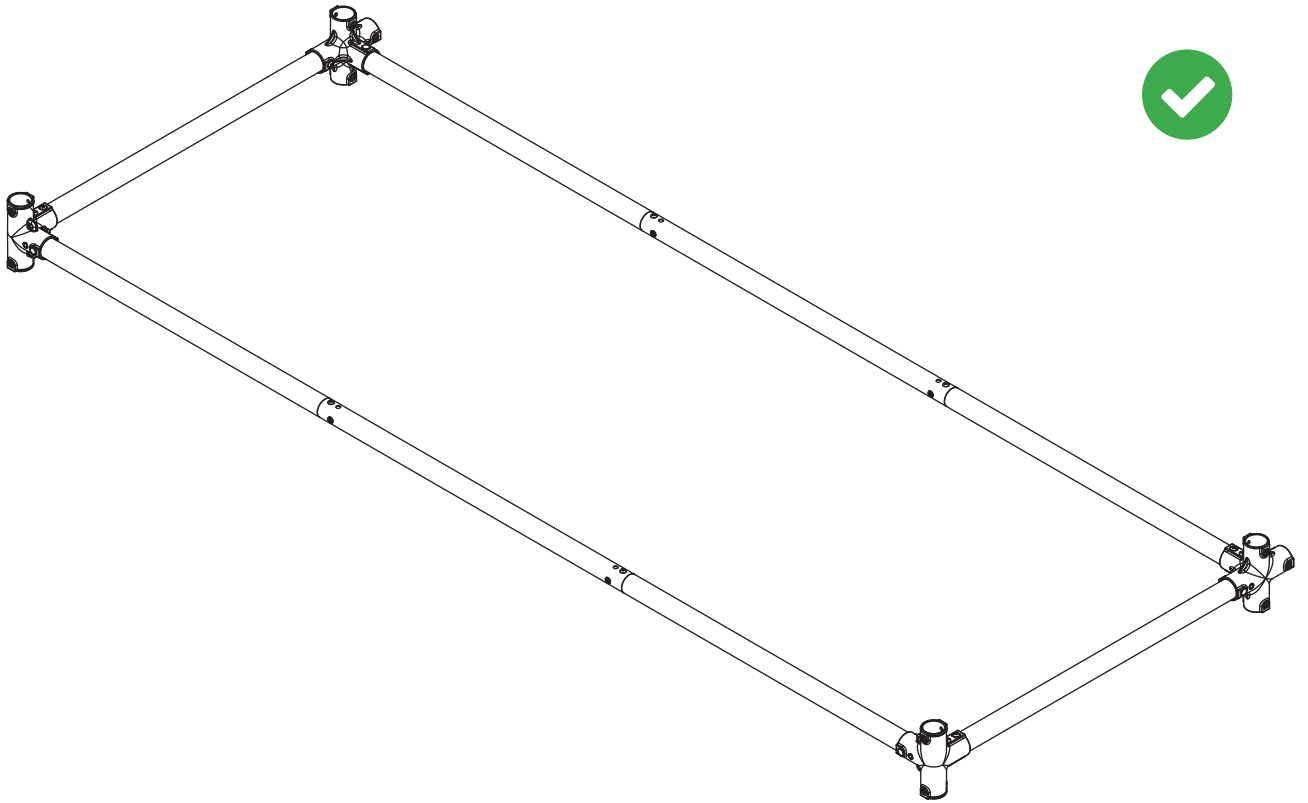
# 5



# 6



7



# 5.3.

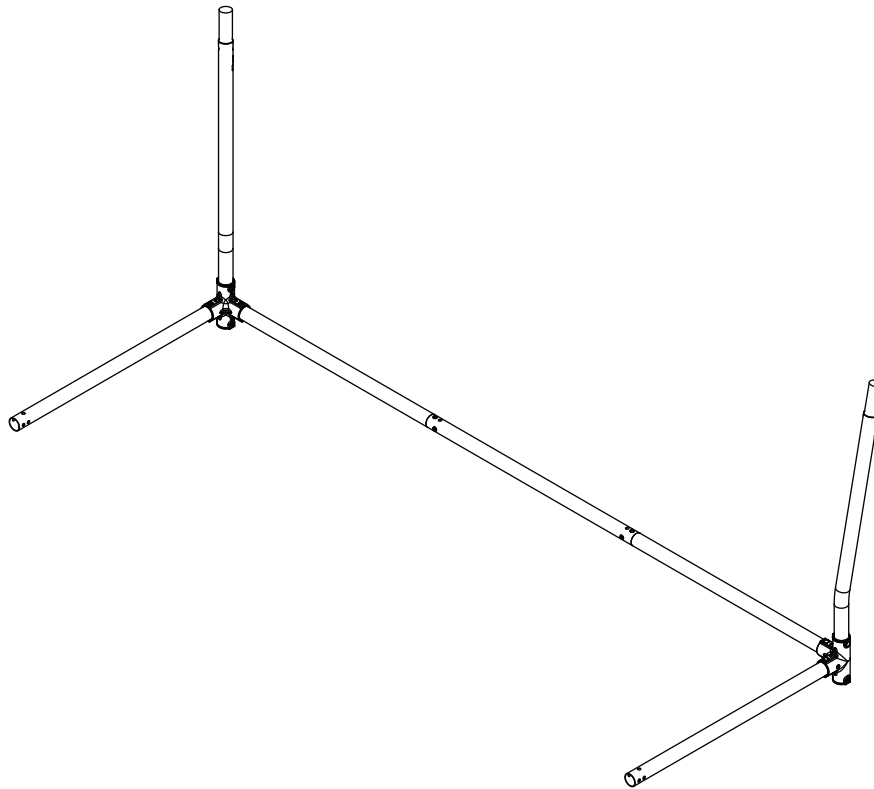
# SIDE BAY PRO / BAIE LATÉRALE PRO / SEITENBUCHT PRO / ZIJBAY PRO

DURING ASSEMBLY, ENSURE BOLTS AND NUTS ARE FINGER TIGHTENED UNTIL DIRECTED TO TIGHTEN FIRMLY.

PENDANT LE MONTAGE, ASSUREZ-VOUS À CE QUE LES BOULONS ET ÉCROUS SOIENT SERRÉS À LA MAIN JUSQU'À CE QU'IL SOIT INDIQUÉ DE LES SERRER FERMEMENT.

WÄHREND DER MONTAGE MÜSSEN SCHRAUBEN UND MUTTERN ZUNÄCHST NUR MIT DEN FINGERN ANGEZOGEN WERDEN, BIS ZUM ZEITPUNKT DER ENDGÜLTIGEN BEFESTIGUNG.

TIJDENS DE MONTAGE, DRAAI JE BOUTEN EN MOEREN EERST MET DE HAND AAN EN PAS STEVIG VAST WANNEER DIT WORDT AANGEGEVEN.



## Required Boxes / Boîtes Requises / Erforderliche Kartons / Vereiste dozen

**B**

**M**

**C X2**

**JM**

## Required Components / Composants Requis / Erforderliche Komponenten / Vereiste componenten

### Tubes / Rohre / Buizen

- T2 .....x2
- T3 .....x3
- L1 .....x2

### Joiners / Raccords / Verbindungen / Verbinders

- 4J .....x

### Tools / Outils / Werkzeuge / Gereedschap

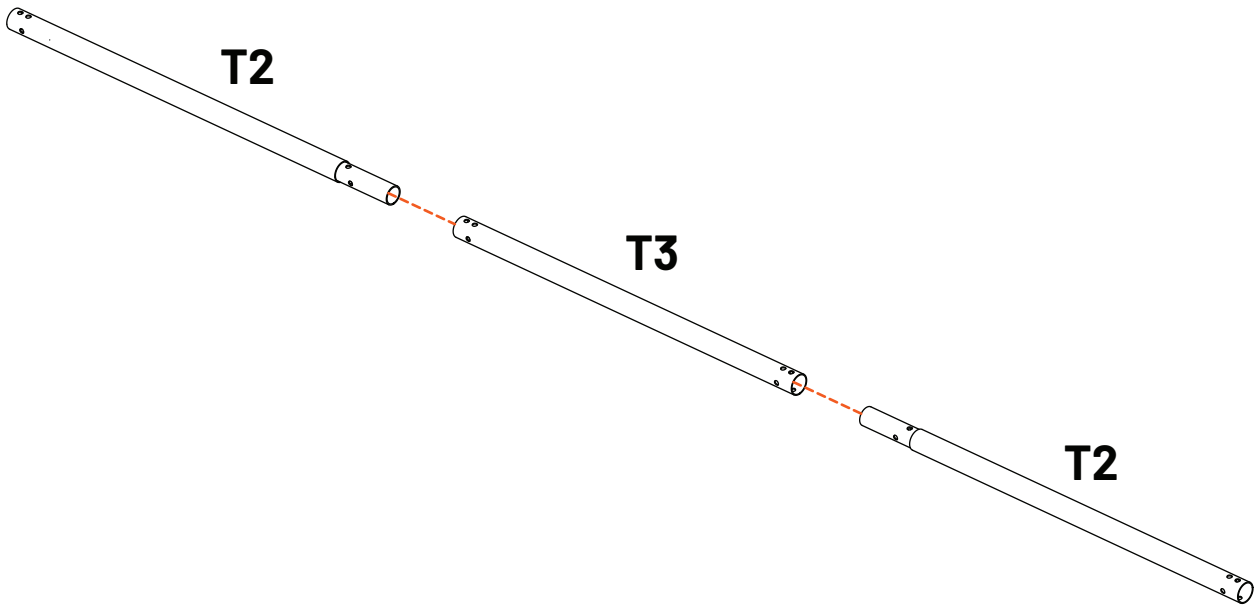
- 6MK .....x1
- 5MK .....x2

### Fasteners / Fixations / Befestigungselemente / Bevestigingsmiddelen

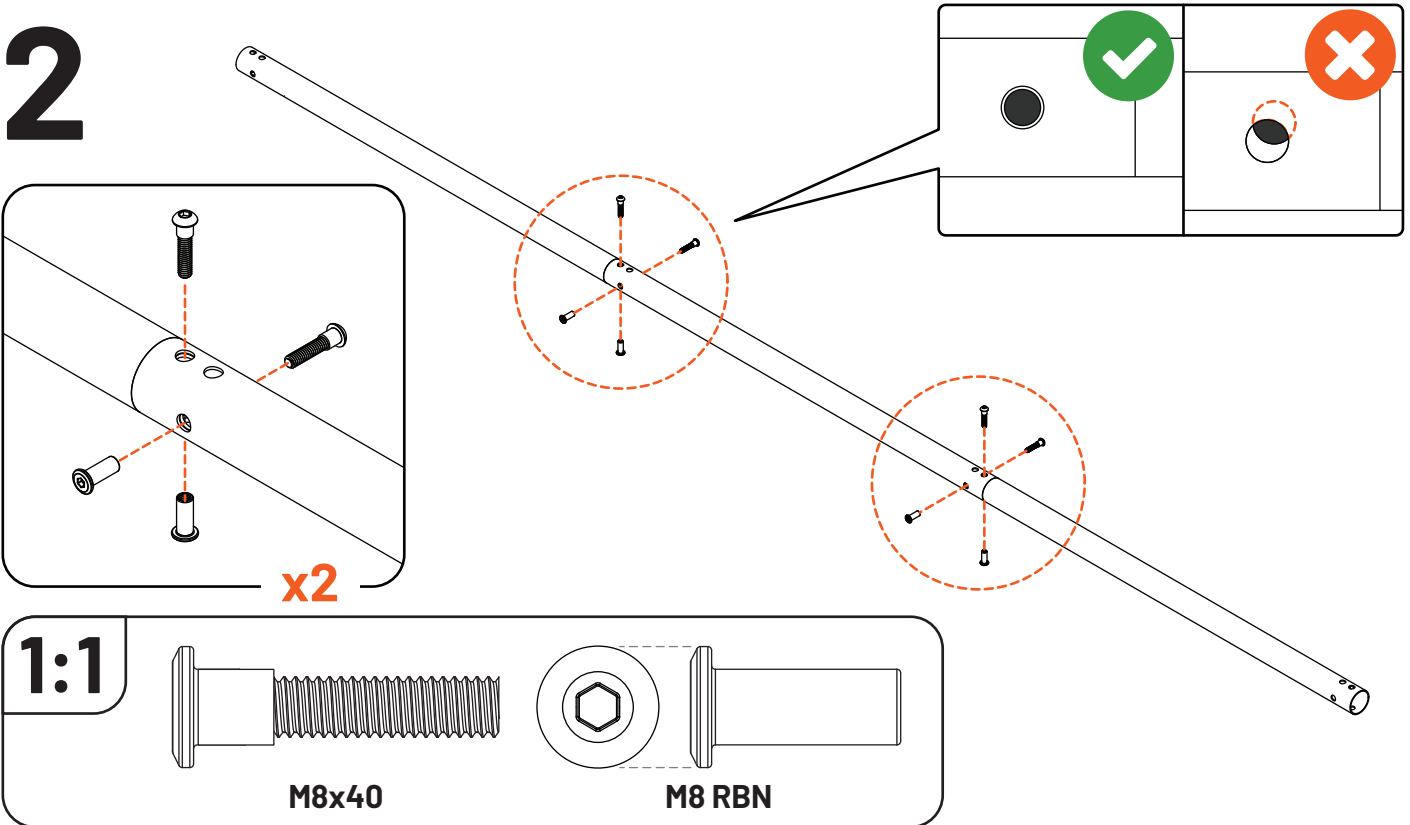
- M8x40.....x4
- M8 RBN .....x4
- M8x50 .....x6
- M8 HBN.....x6



# 1



# 2



**WARNING!** Ensure that holes are aligned correctly before inserting fasteners.

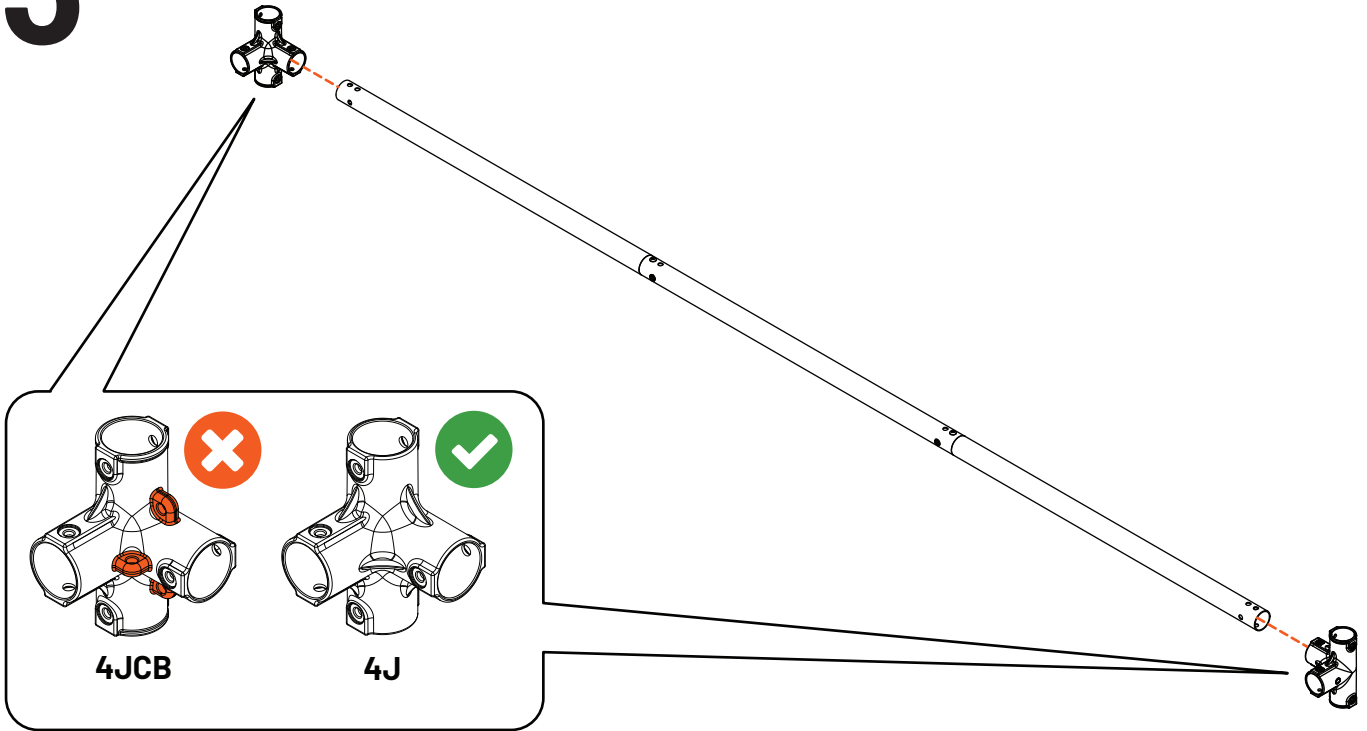
**ATTENTION!** Assurez-vous que les trous sont correctement alignés avant d'insérer les fixations

**ACHTUNG!** Stellen Sie sicher, dass die Löcher korrekt ausgerichtet sind, bevor Sie Befestigungen einsetzen.

**WAARSCHUWING!** Zorg ervoor dat de gaten correct zijn uitgelijnd voordat de bevestigingsmiddelen worden geplaatst.

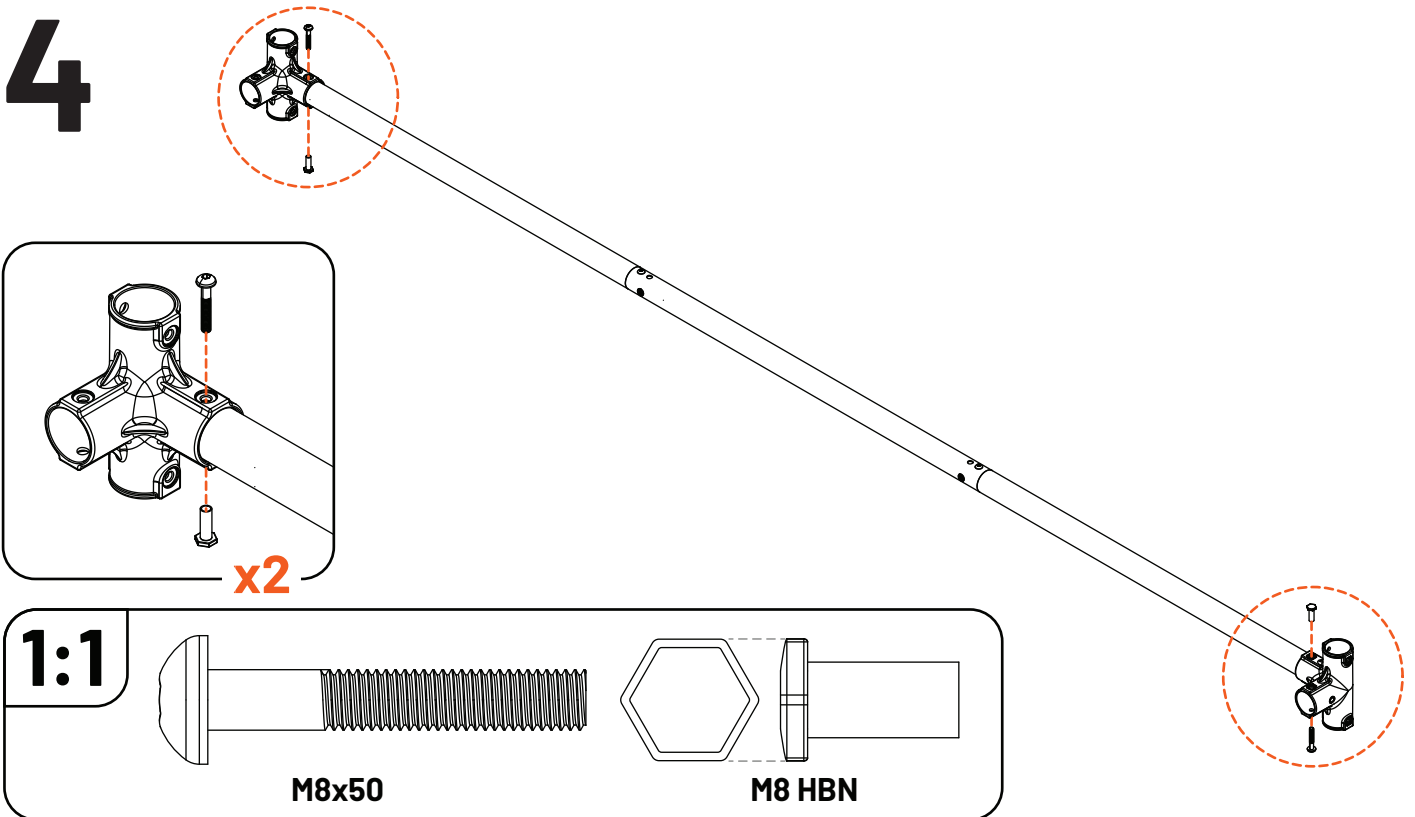


# 3

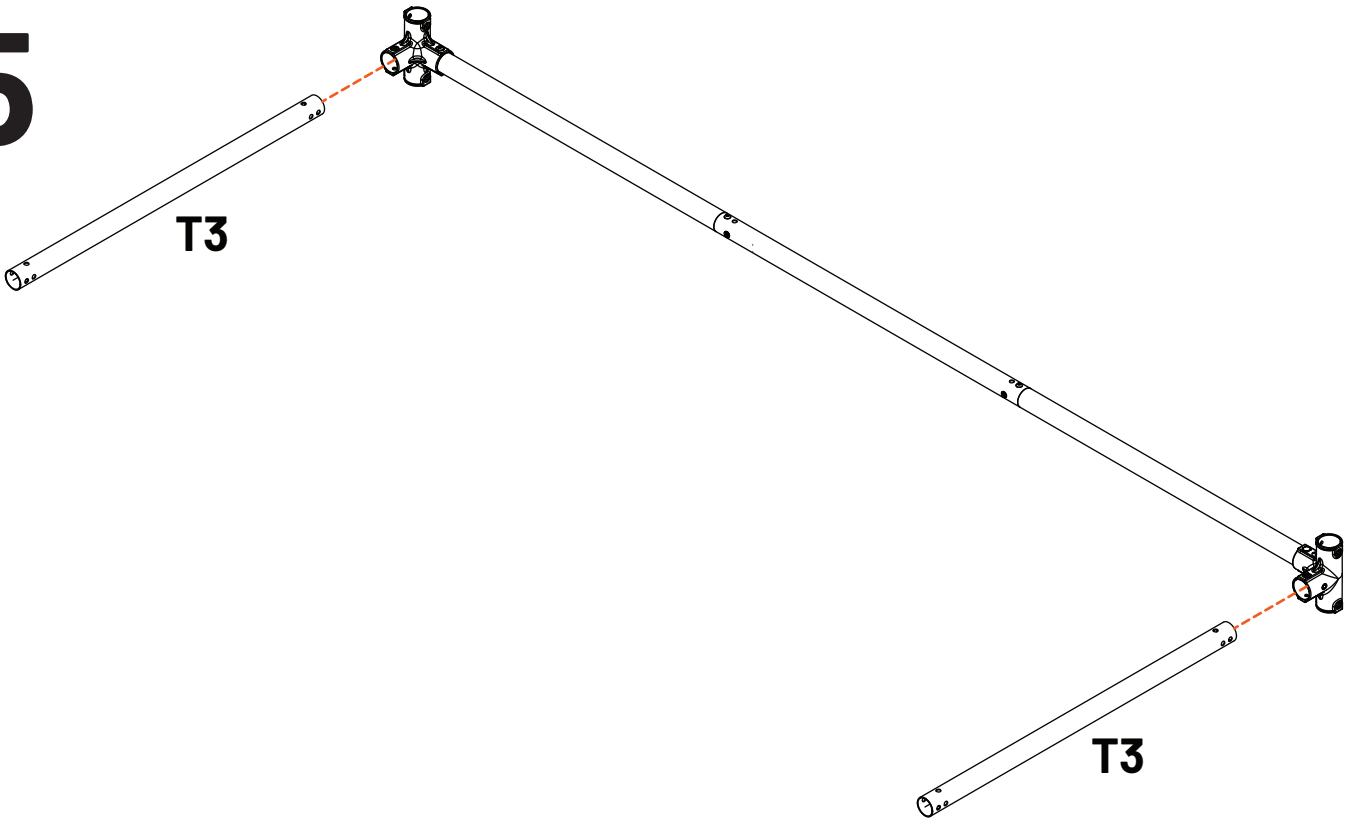


**WARNING!** Ensure that 4J without Cross-Brace attachment points are used.  
**ATTENTION!** Assurez-vous que des 4J sans points de fixation pour traverse sont utilisés.  
**ACHTUNG!** Stellen Sie sicher, dass 4J ohne Kreuzstreben-Befestigungspunkte verwendet werden.  
**WAARSCHUWING!** Zorg ervoor dat 4J zonder kruisversterkings-bevestigingspunten worden gebruikt.

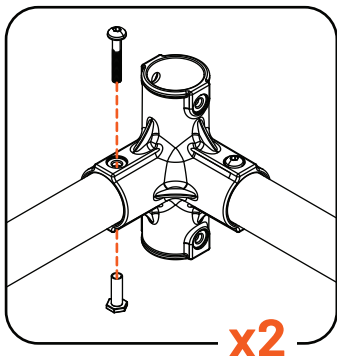
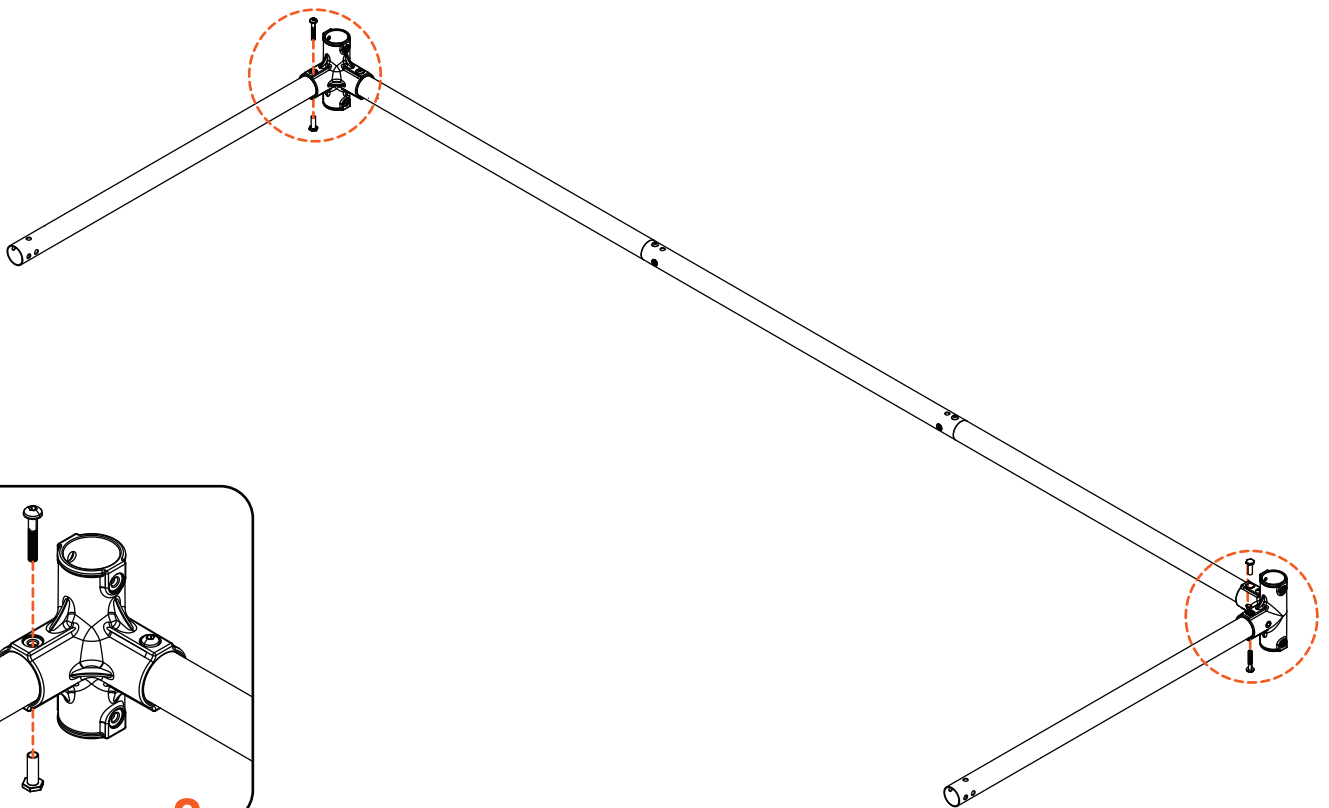
# 4



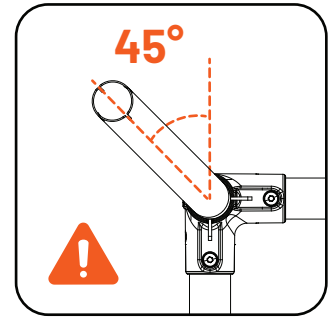
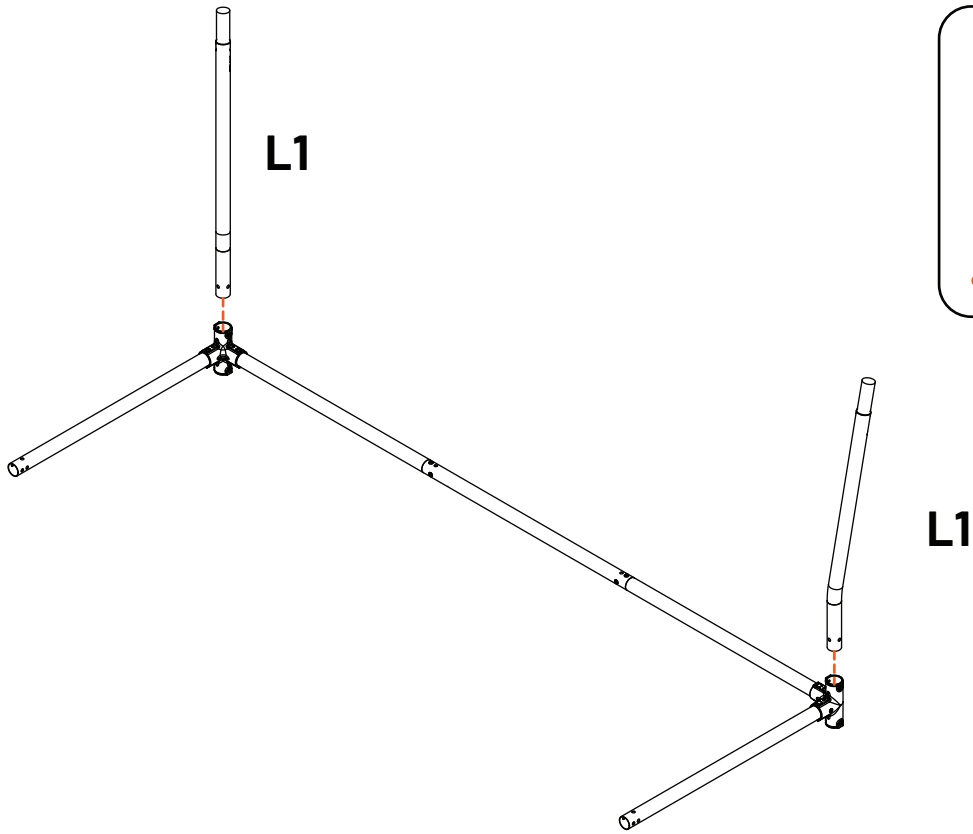
# 5



# 6

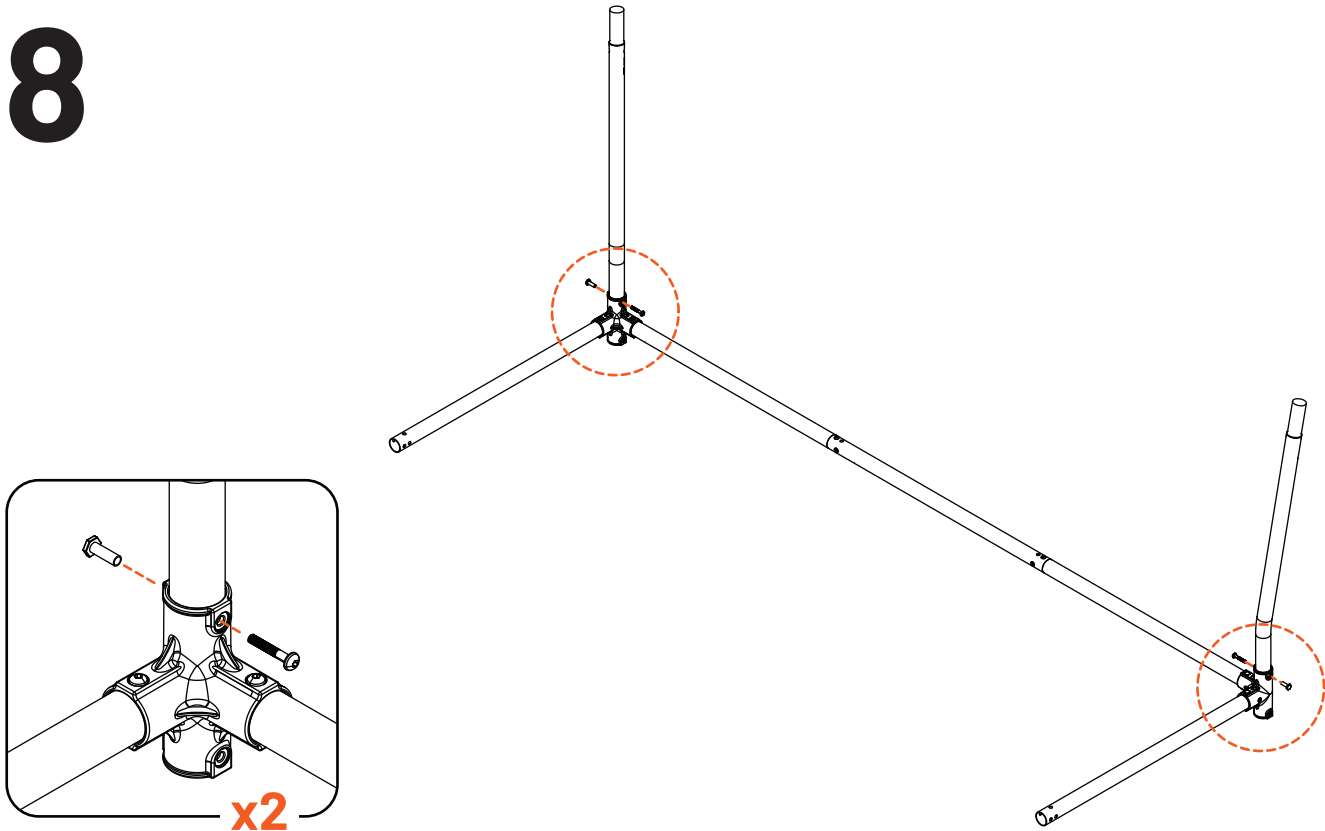


# 7



**WARNING!** Ensure that L1 tubes are angled outwards at 45 degrees.  
**ATTENTION!** Assurez-vous que les tubes L1 sont inclinés vers l'extérieur à 45 degrés.  
**ACHTUNG!** Stellen Sie sicher, dass die L1-Rohre im Winkel von 45-Grad nach außen geneigt sind.  
**WAARSCHUWING!** Zorg ervoor dat de L1-buizen onder een hoek van 45 graden naar buiten zijn gericht.

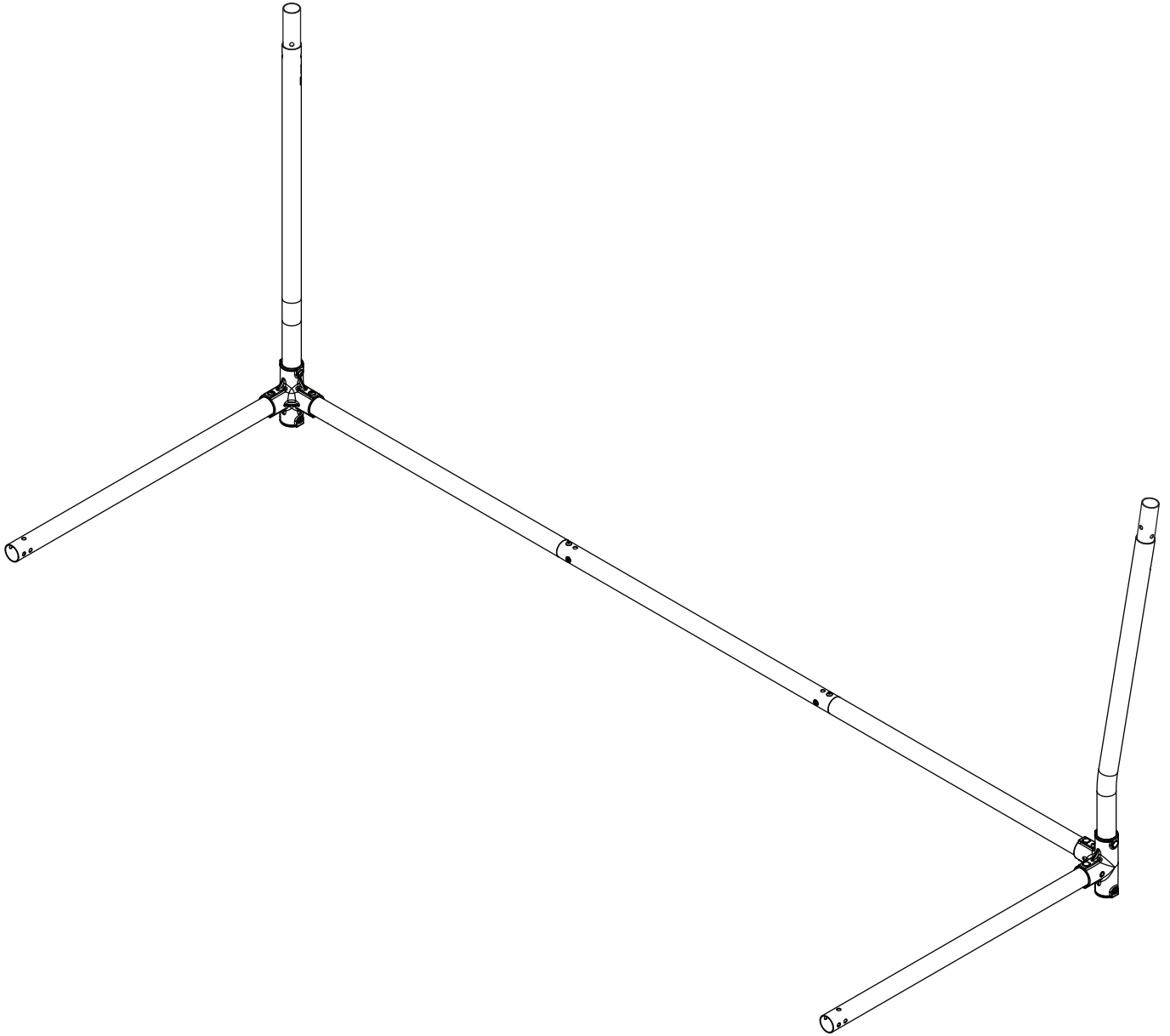
# 8



**NOTE:** Ensure that all fasteners on the sub-assembly are tightened.  
**REMARQUE:** Assurez-vous que toutes les fixations du sous-ensemble sont bien serrées.  
**HINWEIS:** Stellen Sie sicher, dass alle Befestigungen an der Baugruppe festgezogen sind.  
**OPMERKING:** Zorg ervoor dat alle bevestigingsmiddelen op de subassemblage zijn vastgedraaid.



9



# 5.4.

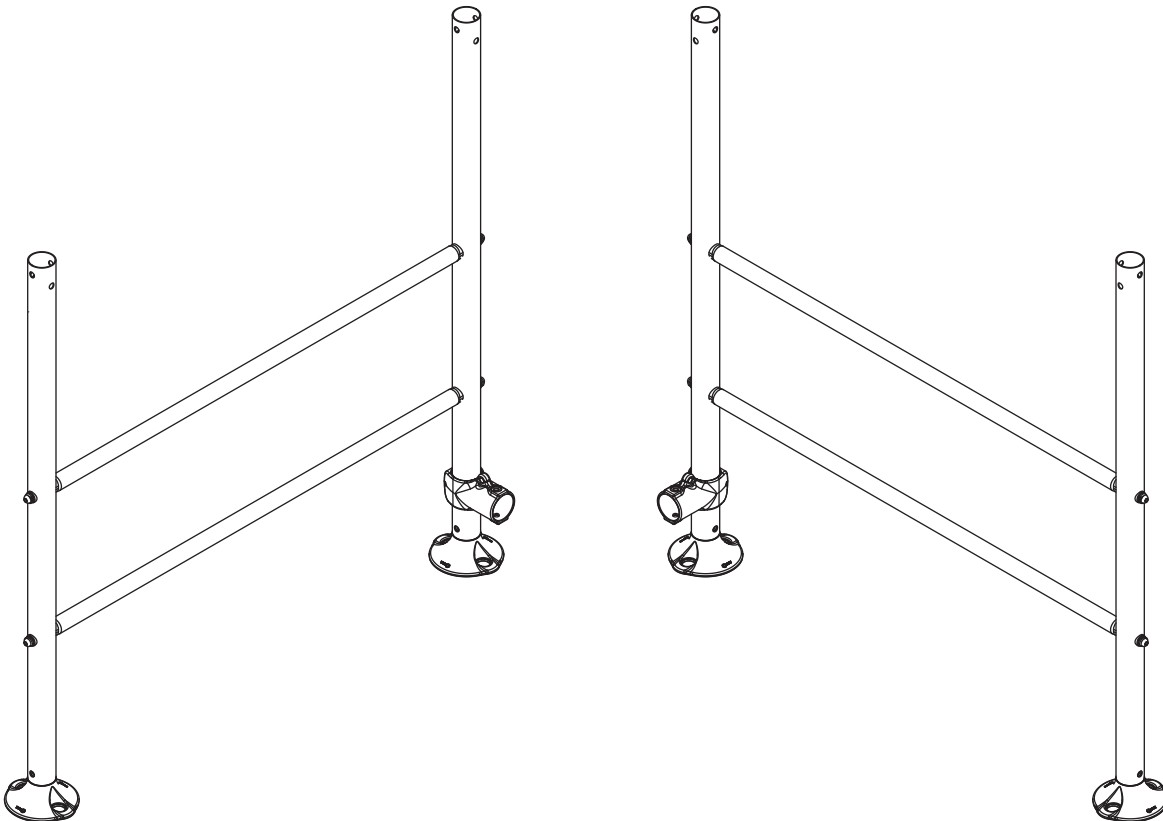
# H-FRAME PRO / CADRES EN H PRO / H-RAHMEN PRO

DURING ASSEMBLY, ENSURE BOLTS AND NUTS ARE FINGER TIGHTENED UNTIL DIRECTED TO TIGHTEN FIRMLY.

PENDANT LE MONTAGE, ASSUREZ-VOUS À CE QUE LES BOULONS ET ÉCROUS SOIENT SERRÉS À LA MAIN JUSQU'À CE QU'IL SOIT INDIQUÉ DE LES SERRER FERMEMENT.

WÄHREND DER MONTAGE MÜSSEN SCHRAUBEN UND MUTTERN ZUNÄCHST NUR MIT DEN FINGERN ANGEZOGEN WERDEN, BIS ZUM ZEITPUNKT DER ENDGÜLTIGEN BEFESTIGUNG.

TIJDENS DE MONTAGE, DRAAI JE BOUTEN EN MOEREN EERST MET DE HAND AAN EN PAS STEVIG VAST WANNEER DIT WORDT AANGEGEVEN.



## Required Boxes / Boîtes Requises / Erforderliche Kartons / Vereiste dozen

- M
- C X2
- JM

## Required Components / Composants Requis / Erforderliche Komponenten / Vereiste componenten

### Tubes / Rohre / Buizen

- T4 .....x4
- T5 .....x4

### Tools / Outils / Werkzeuge / Gereedschap

- 6MK .....x1

### Joiners / Raccords / Verbindungen / Verbinders

- AJCB.....x2

### Misc. / Div. / Versch. / Diversen

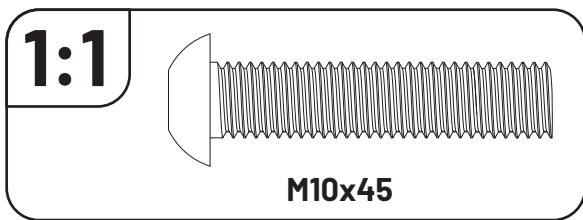
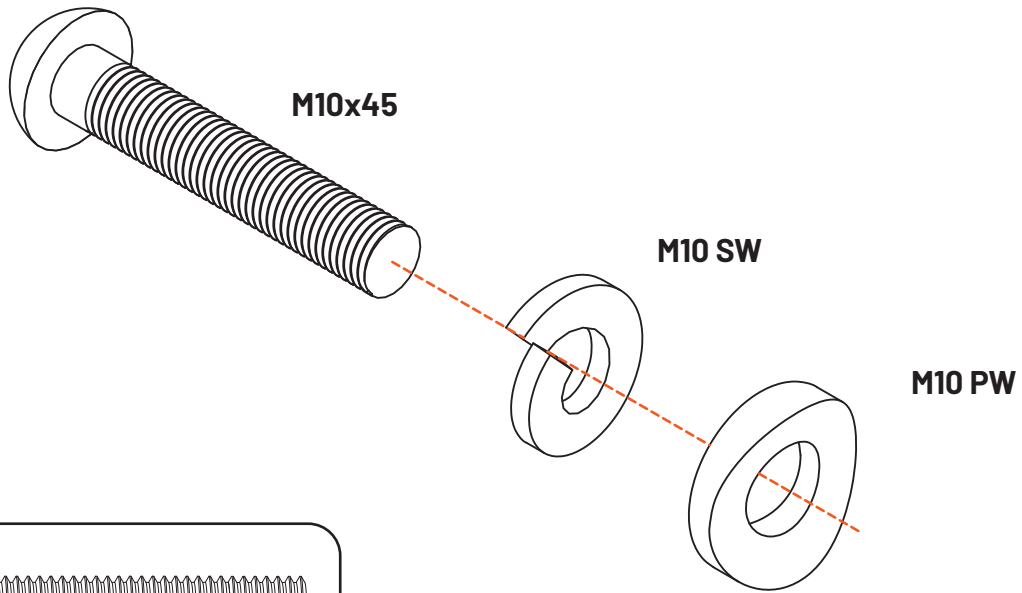
- QF.....x4

### Fasteners / Fixations / Befestigungselemente / Bevestigingsmiddelen

- M10x45 .....x8
- M10SW .....x8
- M10PW .....x8

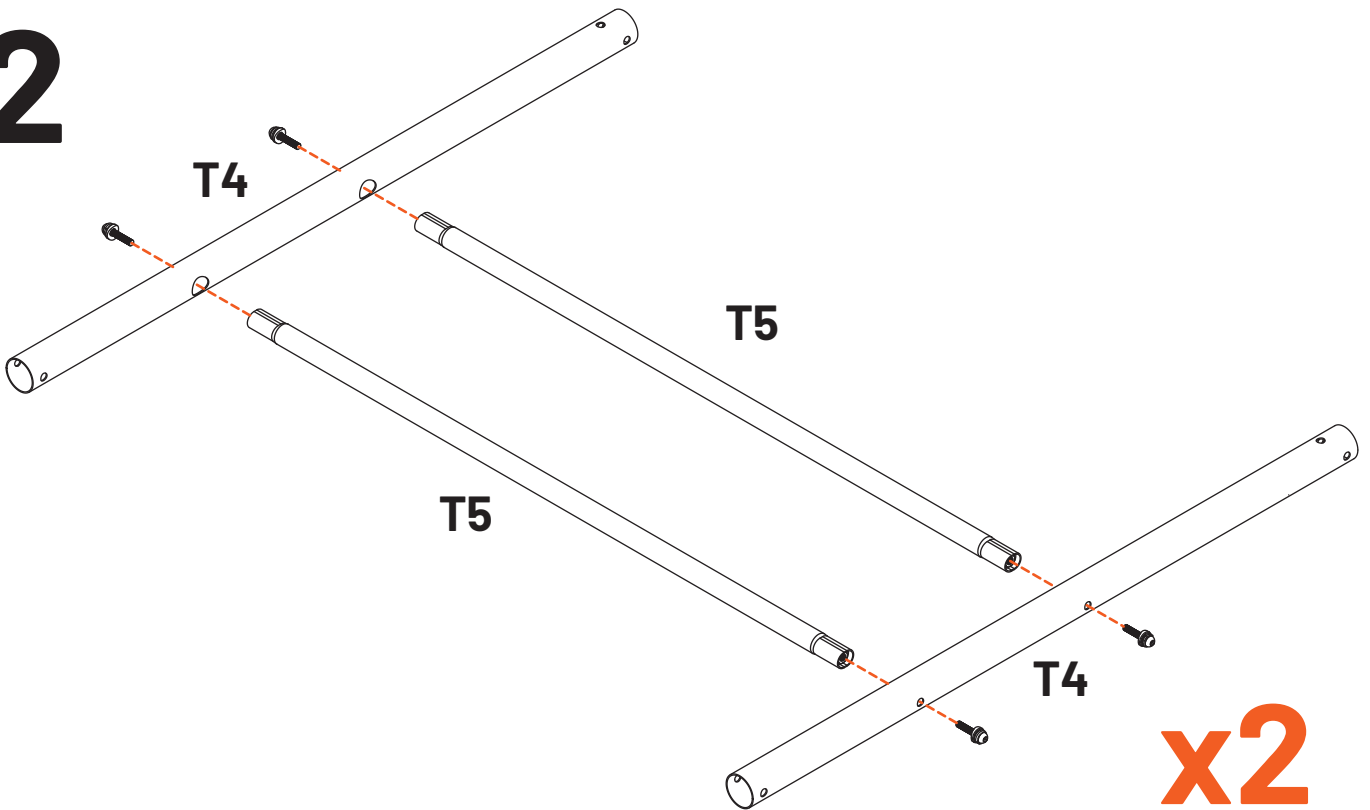


# 1



# x8

# 2



# x2



**WARNING!** Engage fasteners in threads of T5 and tubes. Do not fully tighten.

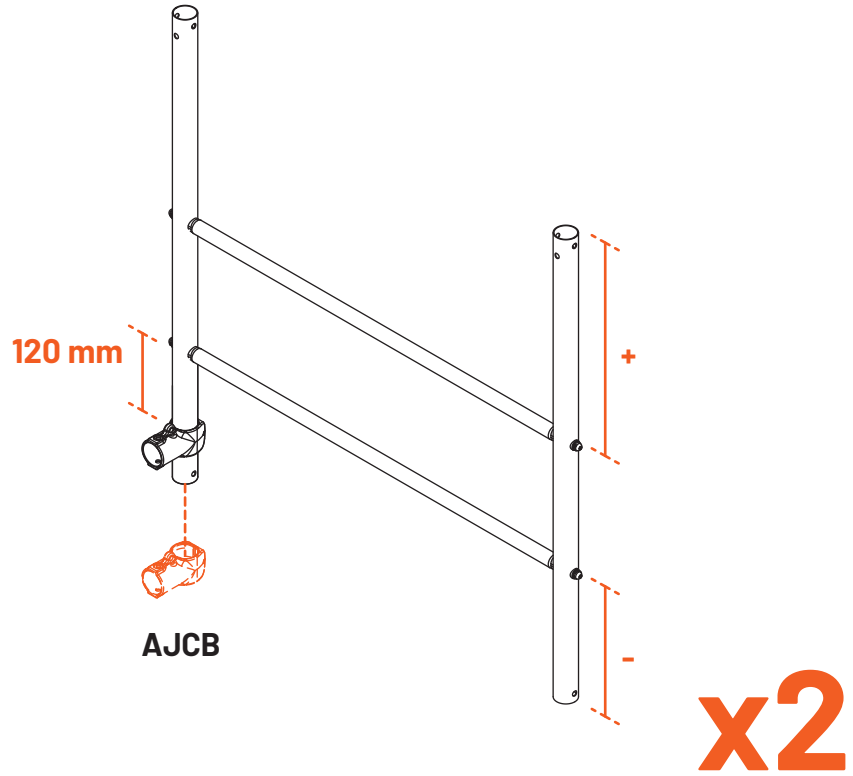
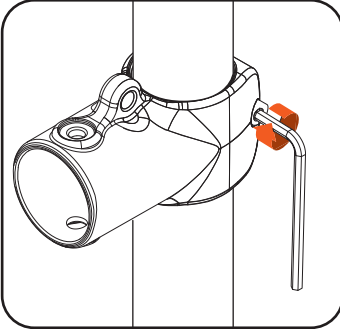
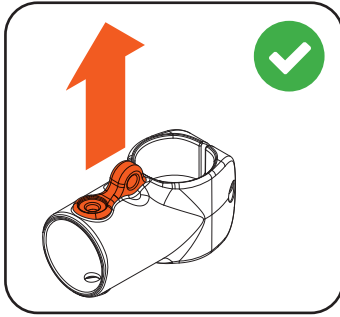
**ATTENTION!** Engagez les fixations dans les filetages des tubes T5. Ne serrez pas complètement.

**ACHTUNG!** Schrauben Sie die Befestigungselemente in die Gewinde der T5-Rohre ein. Nicht vollständig festziehen.

**WAARSCHUWING!** Draai de bevestigingsmiddelen in de schroefdraad van de T5-buizen. Draai nog niet volledig vast.



# 3



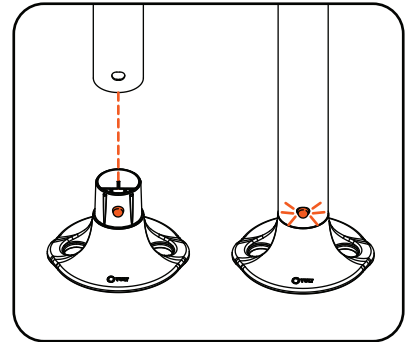
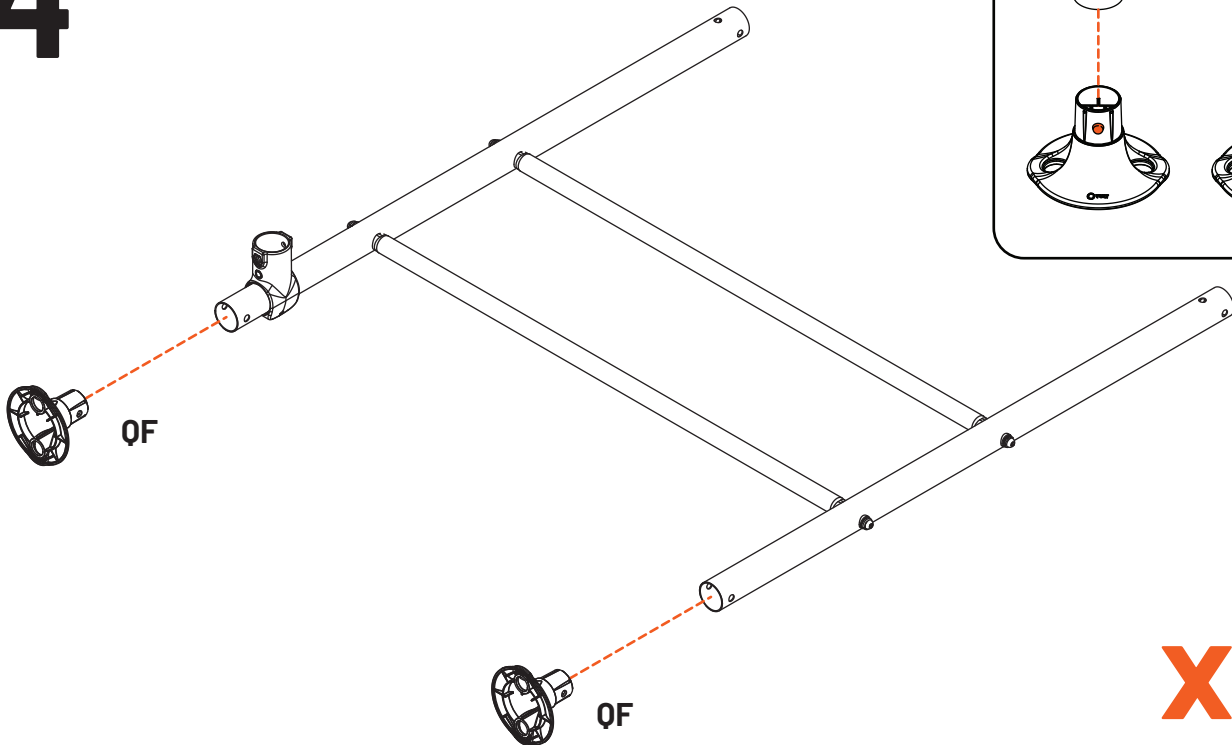
**WARNING!** Ensure the Cross-Brace attachment point is facing up. Position 120mm beneath T5 tube.

**ATTENTION!** Assurez-vous que le point de fixation de la traverse est orienté vers le haut. Positionnez-la 120 mm sous le tube T5.

**ACHTUNG!** Stellen Sie sicher, dass der Befestigungspunkt der Kreuzstrebe nach oben zeigt. Positionieren Sie ihn 120 mm unter dem T5-Rohr.

**WAARSCHUWING!** Zorg ervoor dat het bevestigingspunt van de kruisversterking naar boven is gericht. Plaats dit 120 mm onder de T5-buis.

# 4



**WARNING!** Ensure that push buttons on QF are correctly engaged.

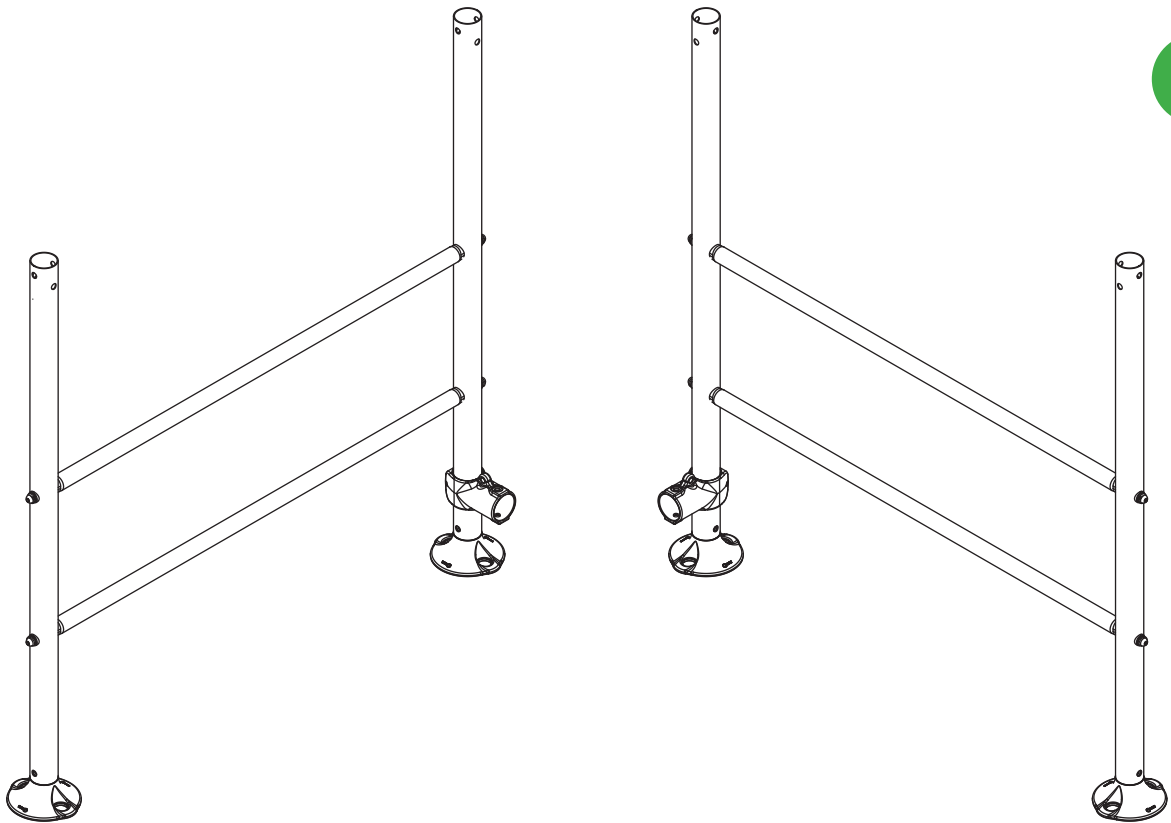
**ATTENTION!** Assurez-vous que les boutons-poussoirs sur les QF sont correctement enclenchés.

**ACHTUNG!** Stellen Sie sicher, dass die Druckknöpfe an den QF korrekt eingerastet sind.

**WAARSCHUWING!** Zorg ervoor dat de drukknoppen op de QF correct vastklikken.



# 5



**NOTE:** Position the AJCB so they face each other.

**REMARQUE:** Positionnez les AJCB de manière à ce qu'ils se fassent face.

**HINWEIS:** Positionieren Sie die AJCB so, dass sie einander zugewandt sind.

**OPMERKING:** Plaats de AJCB op de H-frames zodat ze naar elkaar gericht zijn.



# 5.5.

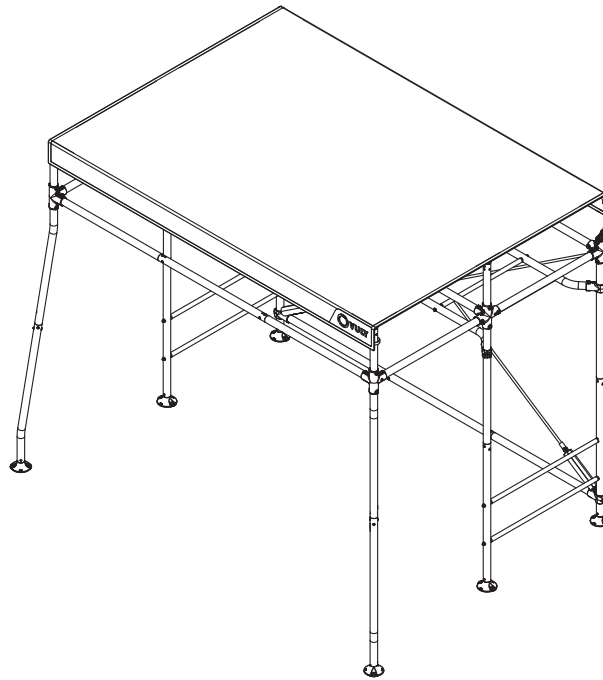
# FRAME ASSEMBLY / ASSEMBLAGE DU CADRE / RAHMENMONTAGE / FRAMEASSEMBLAGE

DURING ASSEMBLY, ENSURE BOLTS AND NUTS ARE FINGER TIGHTENED UNTIL DIRECTED TO W/TIGHTEN FIRMLY.

PENDANT LE MONTAGE, ASSUREZ-VOUS À CE QUE LES BOULONS ET ÉCROUS SOIENT SERRÉS À LA MAIN JUSQU'À CE QU'IL SOIT INDIQUÉ DE LES SERRER FERMEMENT.

WÄHREND DER MONTAGE MÜSSEN SCHRAUBEN UND MUTTERN ZUNÄCHST NUR MIT DEN FINGERN ANGEZOGEN WERDEN, BIS ZUM ZEITPUNKT DER ENDGÜLTIGEN BEFESTIGUNG.

TIJDENS DE MONTAGE, DRAAI JE BOUTEN EN MOEREN EERST MET DE HAND AAN EN PAS STEVIG VAST WANNEER DIT WORDT AANGEGEVEN.



## Required Boxes / Boîtes requises / Erforderliche Kartons / Vereiste dozen

M

C X2

MB2

## Required Components / Composants Requis / Erforderliche Komponenten / Vereiste componenten

### Tubes / Rohre / Buizen

- S1 .....x4
- L2.....x2
- T2 .....x2
- T3 .....x1
- FPB .....x22

### Tools / Outils / Werkzeuge / Gereedschap

- 6MK .....x1
- 5MK .....x2

### Misc. / Div. / Versch. / Diversen

- QF.....x2
- S-SC.....x1
- SCP.....x

### Joiners / Raccords / Verbindungen / Verbinders

- SPA .....x2

### Fasteners / Fixations / Befestigungselemente / Bevestigingsmiddelen

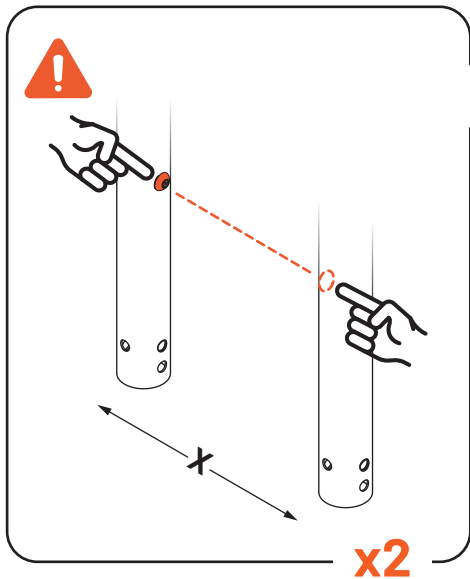
- M8x50 ..... x14
- HBN ..... x14
- M8x40..... x16
- RBN..... x16

### Sub-Assemblies / Sous-Ensembles / Unterbaugruppen / Subassemblages

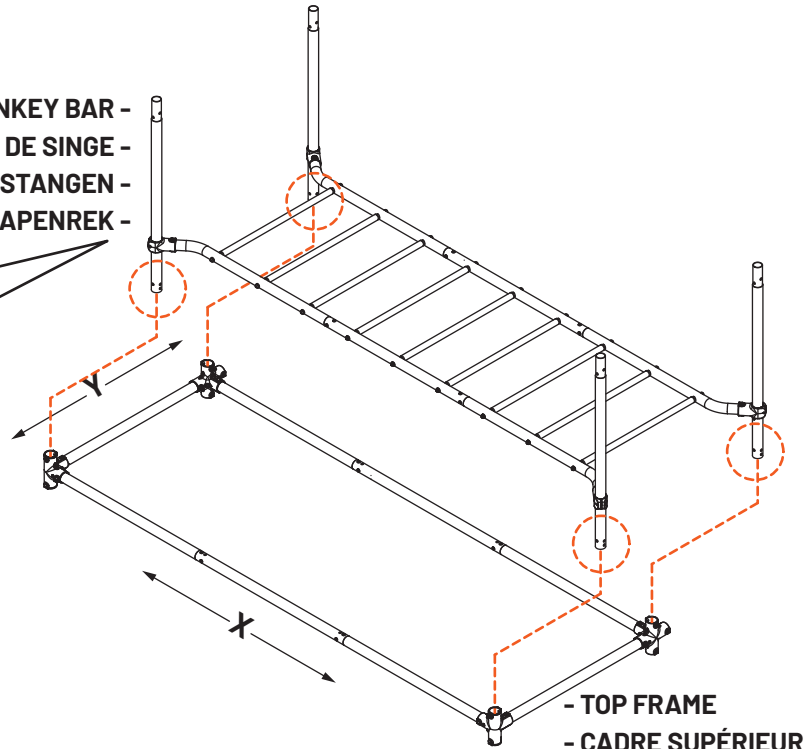
- 5.1.....x1
- 5.2.....x1
- 5.3.....x1
- 5.4.....x2



# 1



MONKEY BAR -  
BARRE DE SINGE -  
AFFENSTANGEN -  
APENREK -

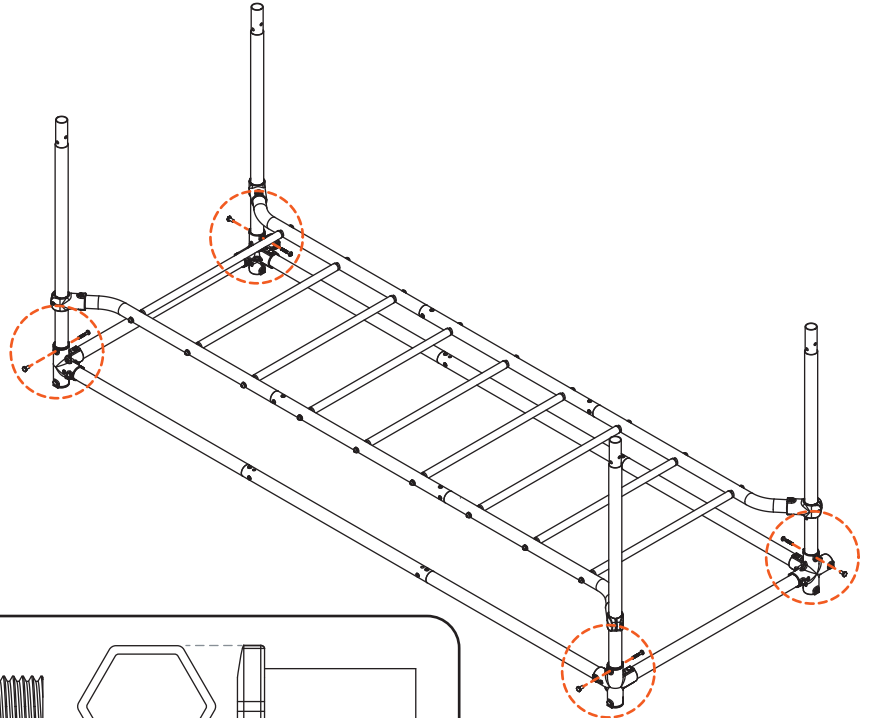
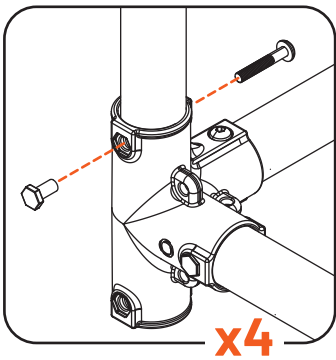


- TOP FRAME  
- CADRE SUPÉRIEUR  
- OBERER RAHMEN  
- BOVENFRAME

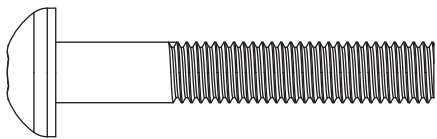


**WARNING!** Ensure that rivets on T1 tubes are positioned in line with the X axis.  
**ATTENTION!** Assurez-vous que les rivets sur les tubes T1 sont alignés avec l'axe X.  
**ACHTUNG!** Stellen Sie sicher, dass die Nieten an den T1-Rohren mit der X seite ausgerichtet Achse.  
**WAARSCHUWING!** Zorg ervoor dat de klinknagels op de T1-buizen in lijn zijn met de X-as.

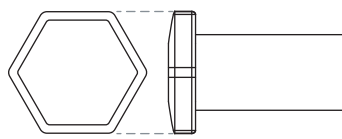
# 2



1:1



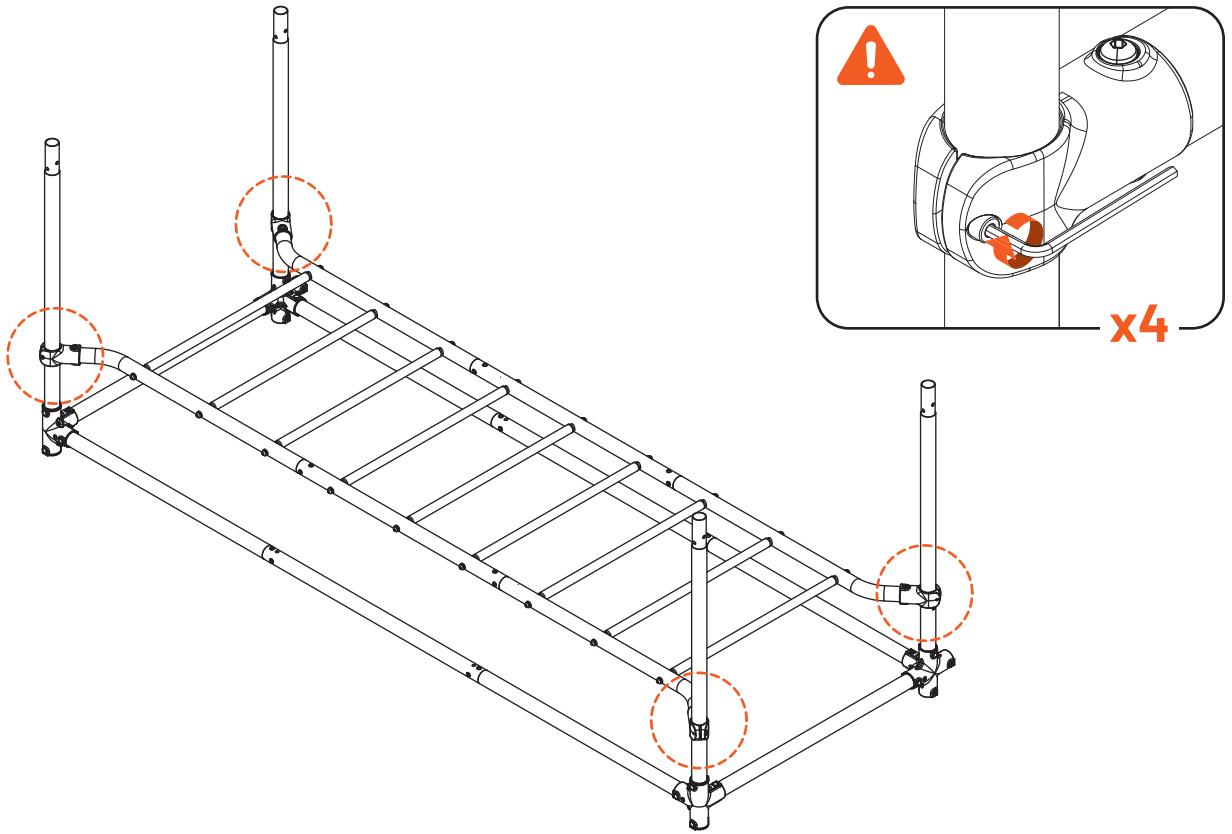
M8x50



M8 HBN

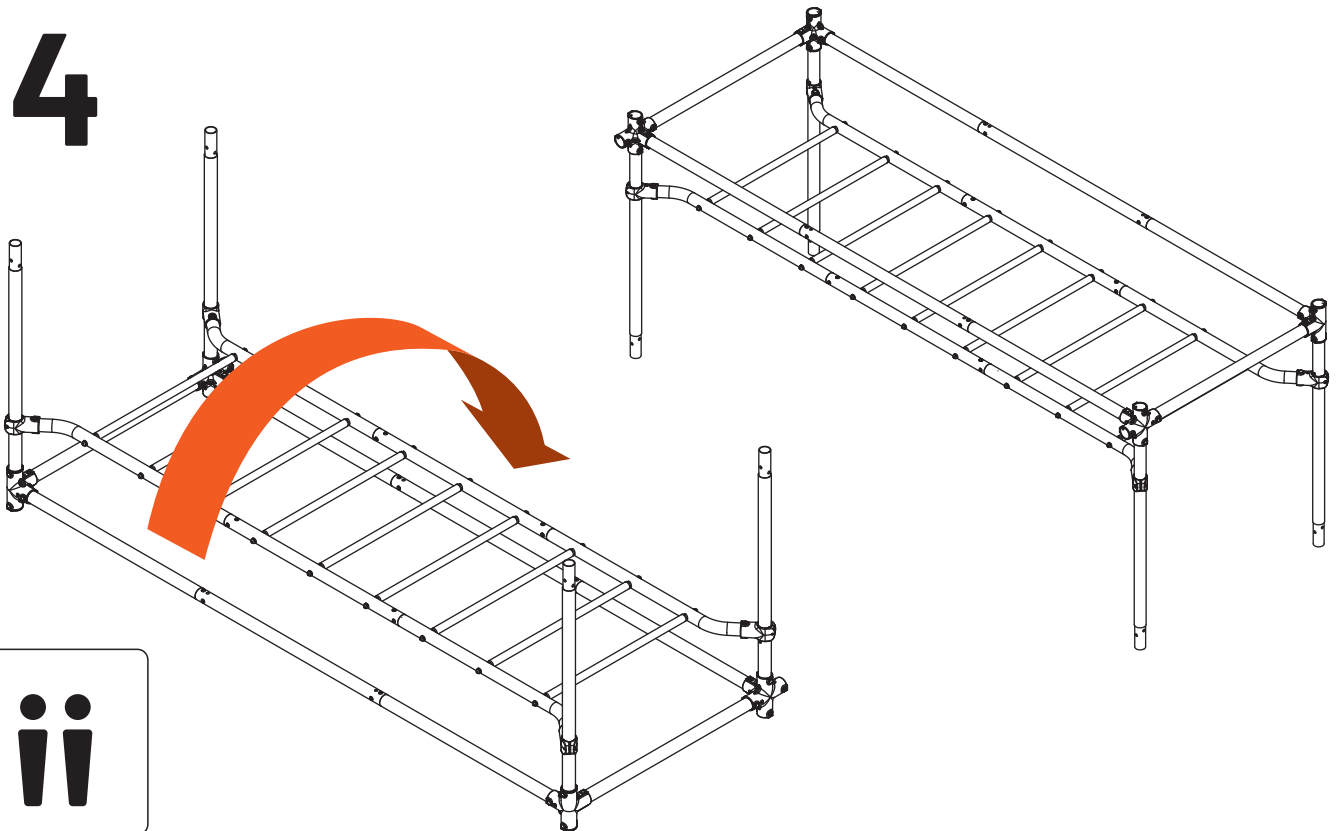


# 3



**WARNING!** Tighten AJ before flipping frame.  
**ATTENTION!** Serrez les AJ avant de retourner le cadre.  
**ACHTUNG!** Ziehen Sie die AJ fest, bevor Sie den Rahmen umdrehen.  
**WAARSCHUWING!** Draai de AJ vast voordat je het frame omdraait.

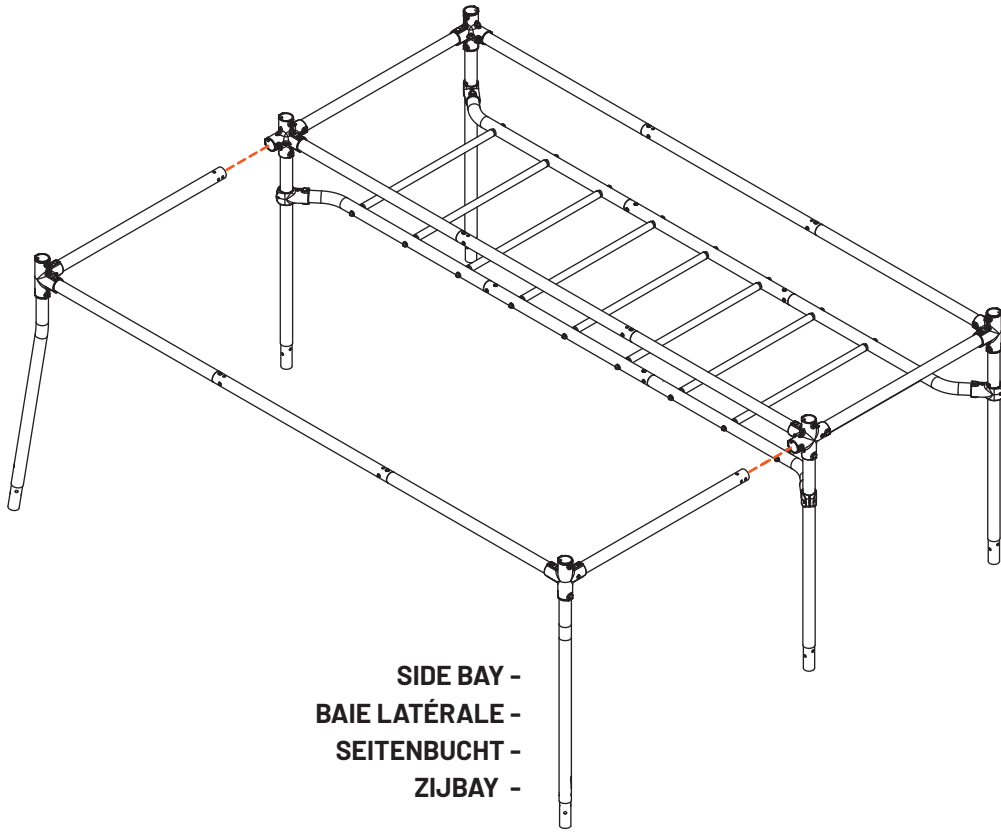
# 4



**WARNING!** Minimum two people required to flip frame, exercise caution  
**ATTENTION!** Minimum deux personnes nécessaires pour retourner le cadre, faites preuve de prudence.  
**ACHTUNG!** Mindestens zwei Personen erforderlich, um den Rahmen zu drehen - Vorsicht!  
**WAARSCHUWING!** Voor het omdraaien van het frame zijn minimaal twee personen vereist, wees voorzichtig.

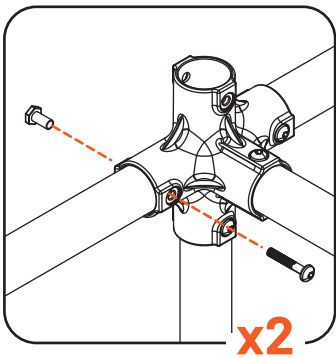


# 5

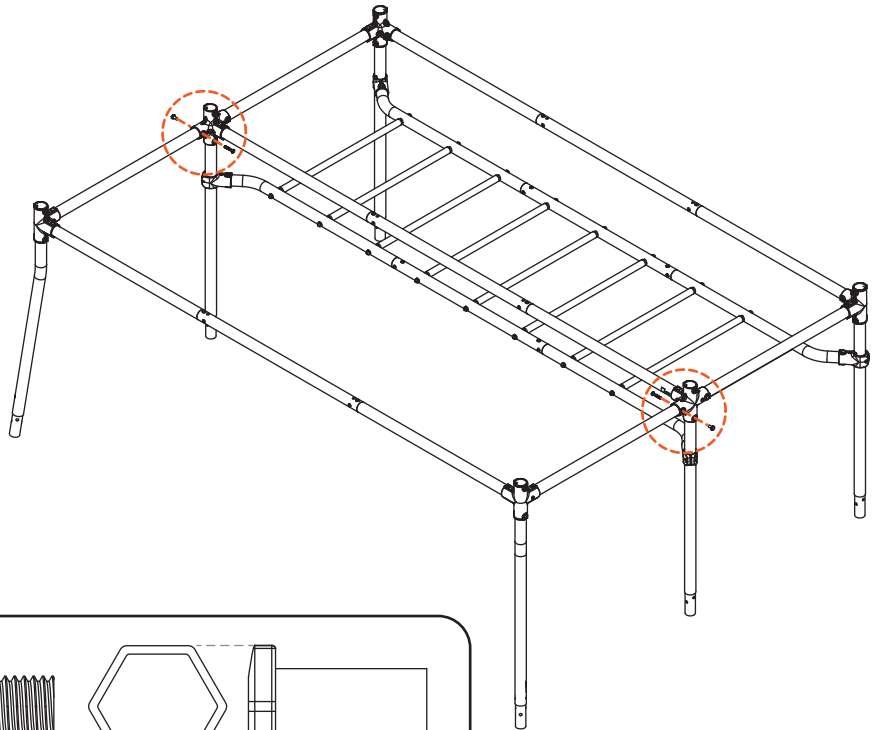


SIDE BAY -  
BAIE LATÉRALE -  
SEITENBUCHT -  
ZIJBAY -

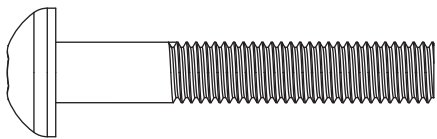
# 6



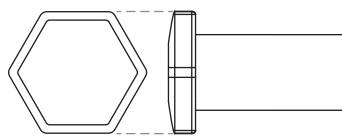
x2



1:1



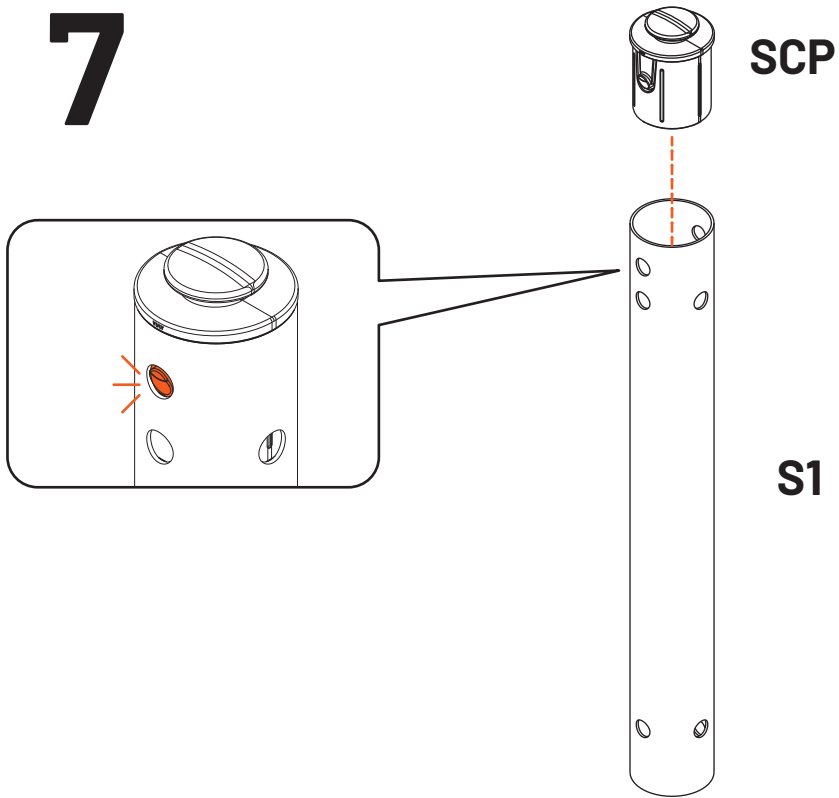
M8x50



M8 HBN

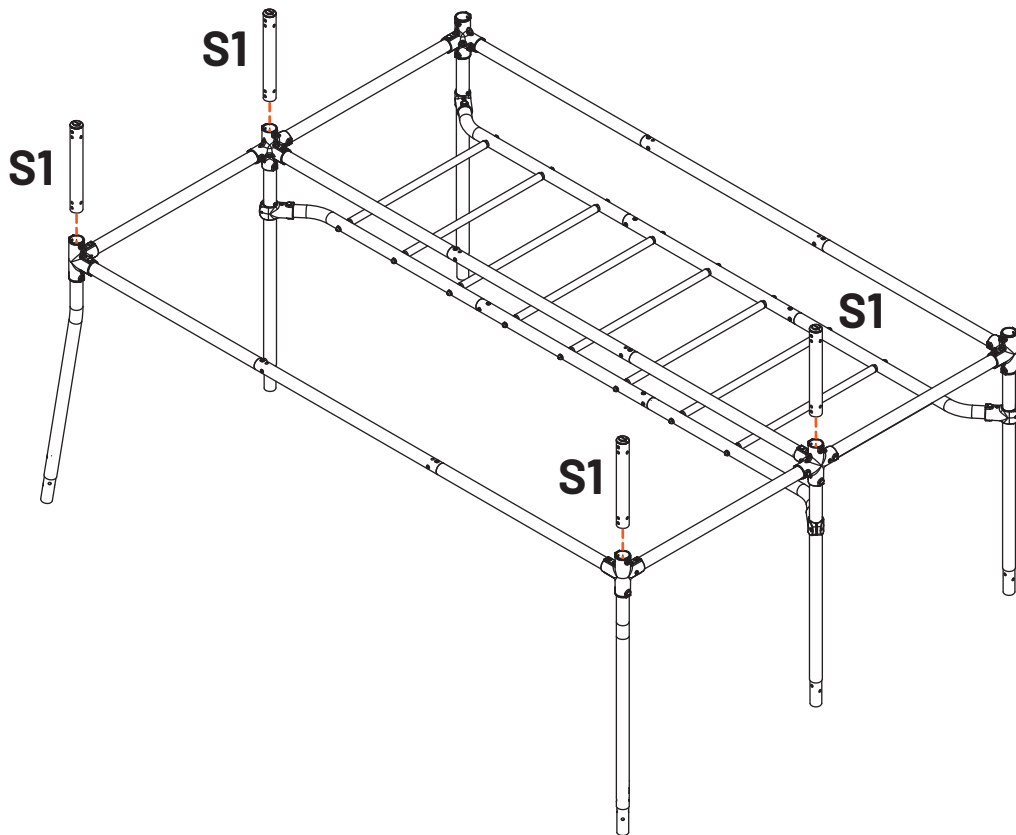


# 7

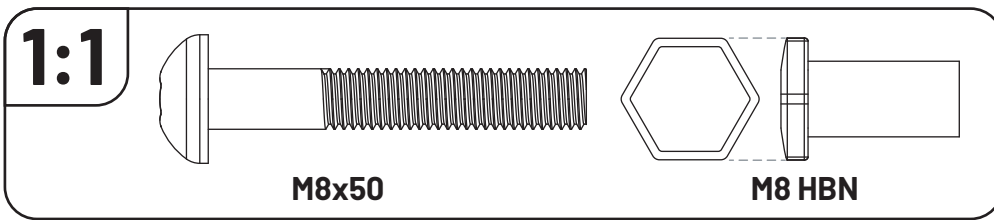
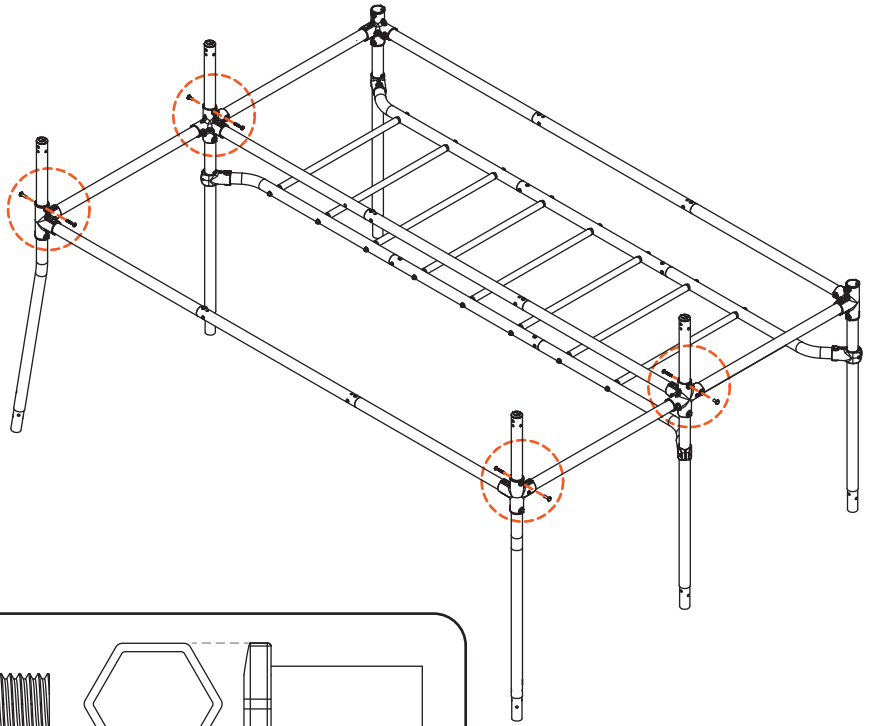
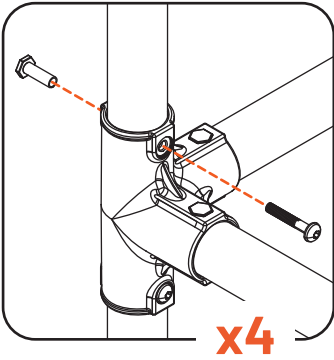


x4

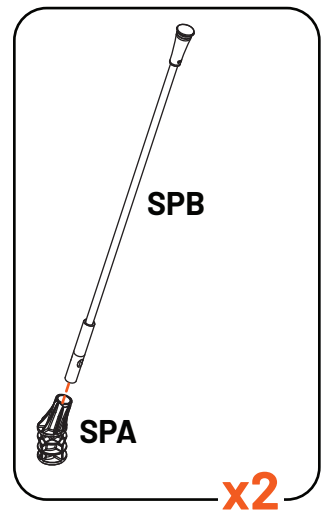
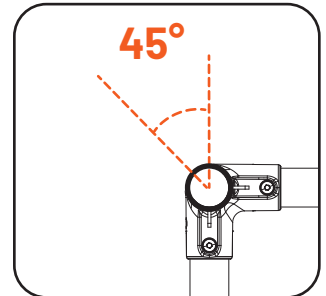
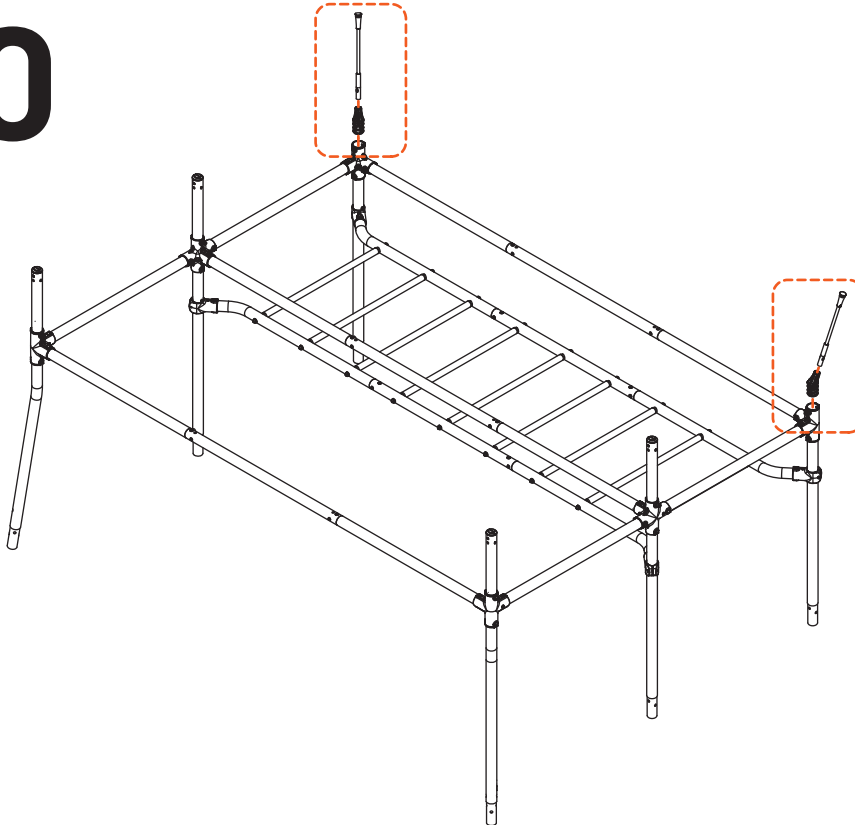
# 8



# 9



# 10



**WARNING!** Ensure SPB are angled outwards at 45 degrees.

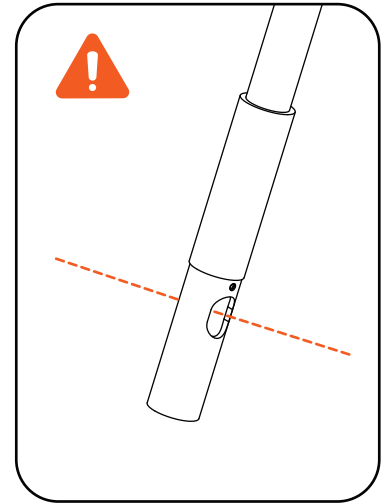
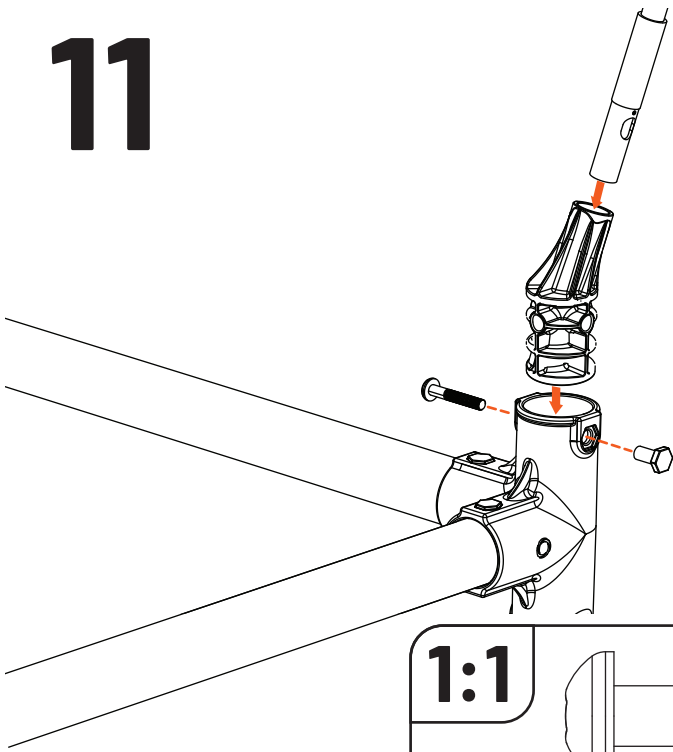
**ATTENTION!** Assurez-vous que les SPB sont inclinés vers l'extérieur à 45 degrés.

**ACHTUNG!** Stellen Sie sicher, dass die SPB in einem Winkel von 45 Grad nach außen geneigt sind.

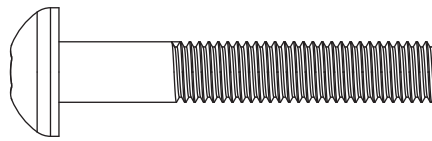
**WAARSCHUWING!** Zorg ervoor dat de SPB onder een hoek van 45 graden naar buiten zijn gericht.



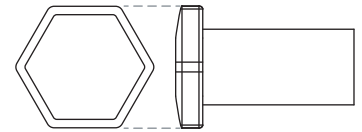
# 11



1:1



M8x50



M8 HBN

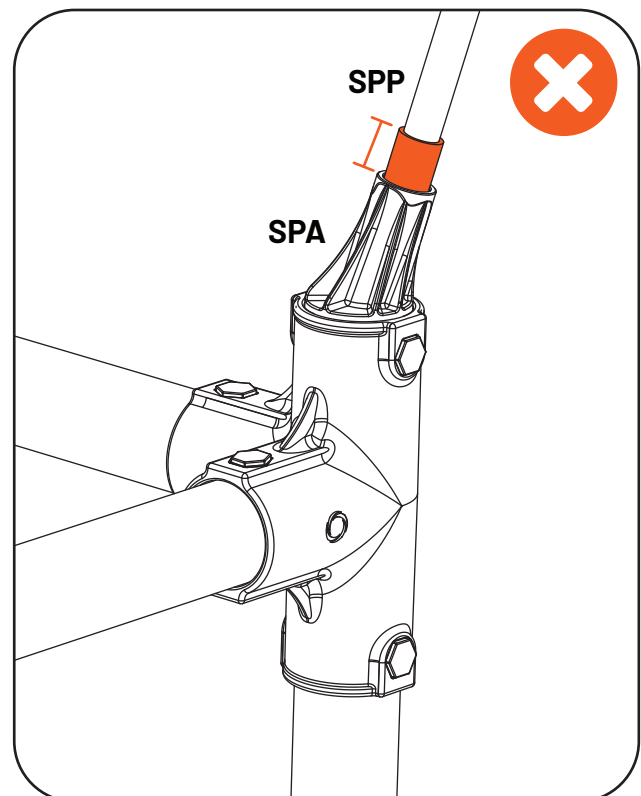
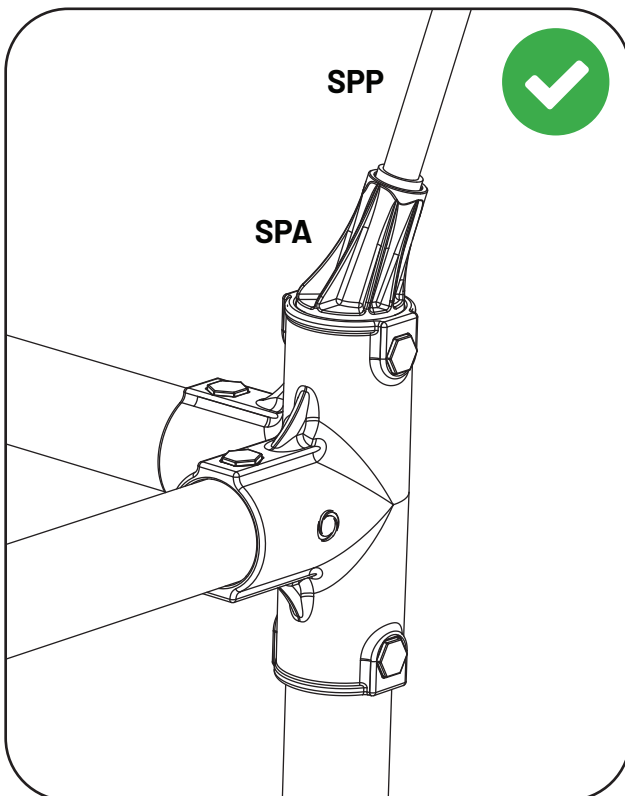


**WARNING!** Ensure Bolts pass through the slot in the SPB.

**ATTENTION!** Assurez-vous que les boulons passent à travers la fente dans les SPB.

**ACHTUNG!** Stellen Sie sicher, dass die Schrauben durch den Schlitz in den SPB geführt werden.

**WAARSCHUWING!** Zorg ervoor dat de bouten door de sleuf in de SPB gaan.



**WARNING!** Once fastened, ensure metal sleeve on SPB is sitting flush with SPA opening.

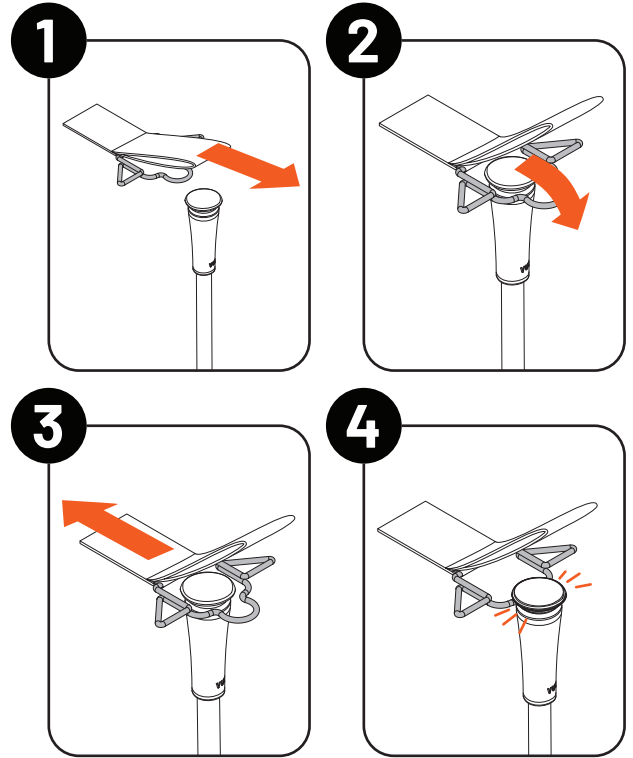
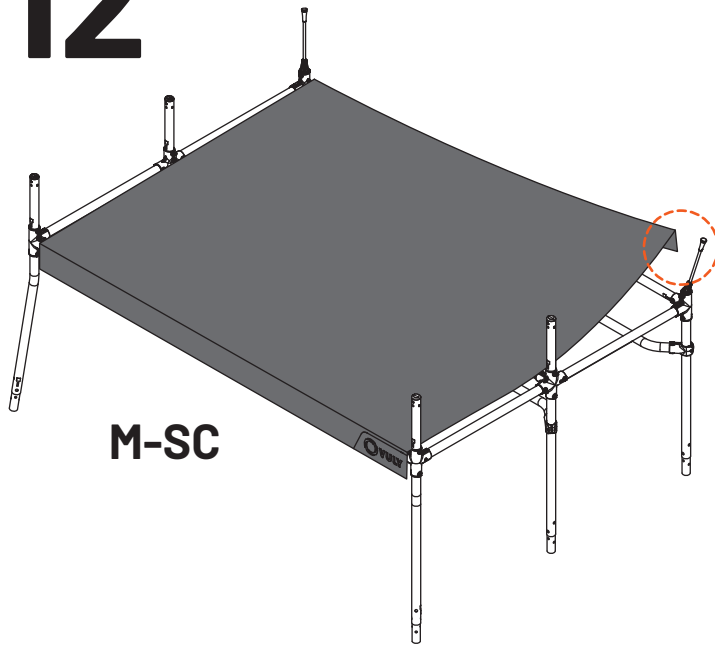
**ATTENTION!** Une fois fixé, assurez-vous que la bague métallique du SPB est bien à fleur de l'ouverture du SPA.

**ACHTUNG!** Nach dem Befestigen sicherstellen, dass die Metallhülse am SPB bündig mit der Öffnung des SPA sitzt.

**WAARSCHUWING!** Zorg er na het vastzetten voor dat de metalen huls op de SPB/SPP gelijk ligt met de opening van de SPA.



# 12



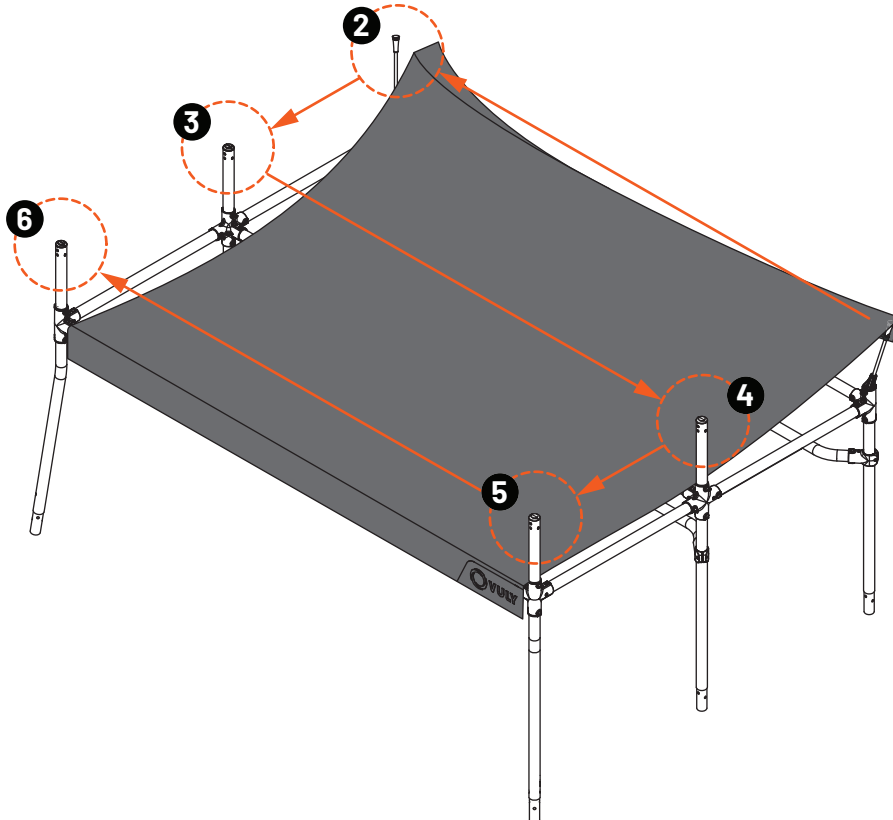
**NOTE:** Lift the M-SC clip over the connection point and pull until it snaps into place.

**REMARQUE:** Placez le clip metal du M-SC au-delà du point de connexion, puis tirez jusqu'à ce qu'il s'enclenche.

**HINWEIS:** Heben Sie die M-SC-Klammer über den Verbindungspunkt an und ziehen Sie, bis sie einrastet.

**OPMERKING:** Til de M-SC-clip over het verbindingspunt en trek totdat deze vastklikt.

# 13



**NOTE:** Continue until the M-SC is connected at all indicated locations.

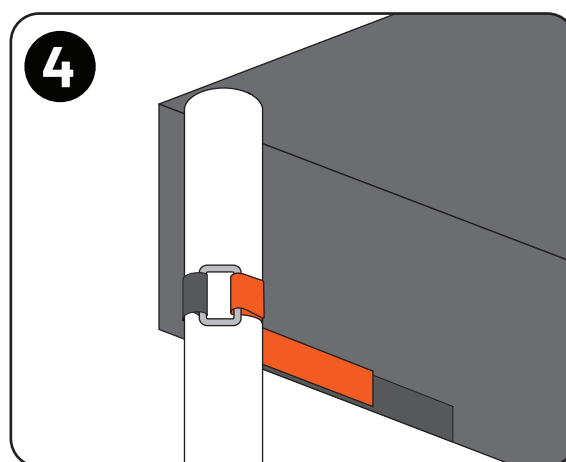
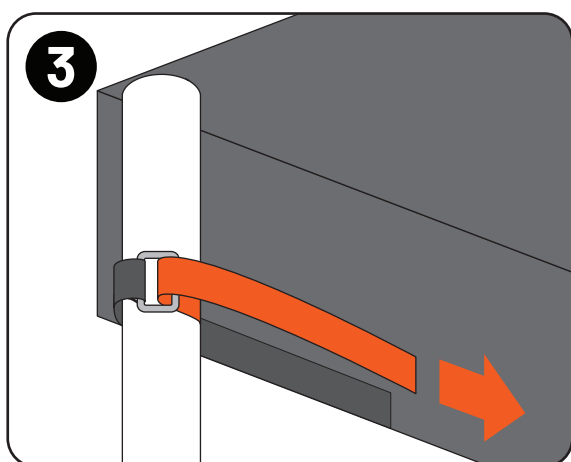
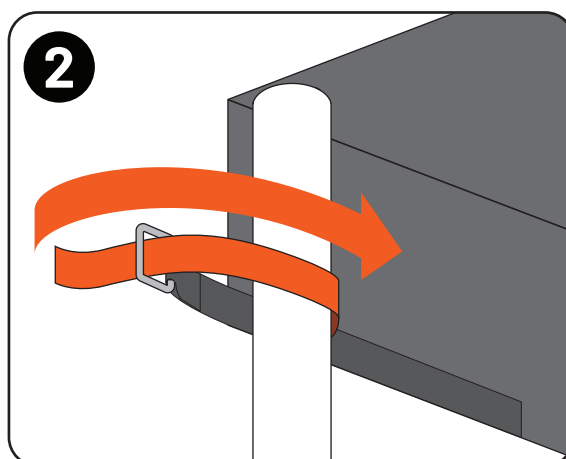
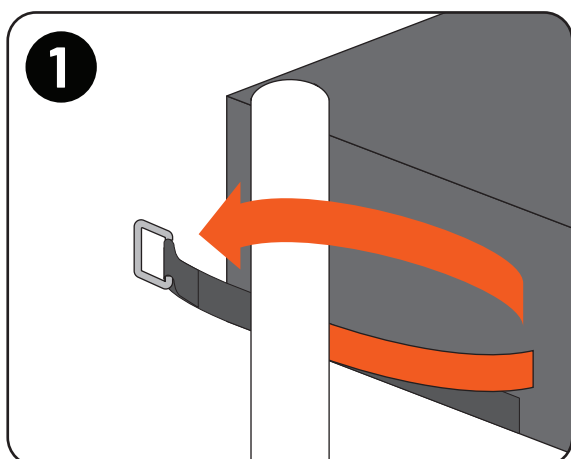
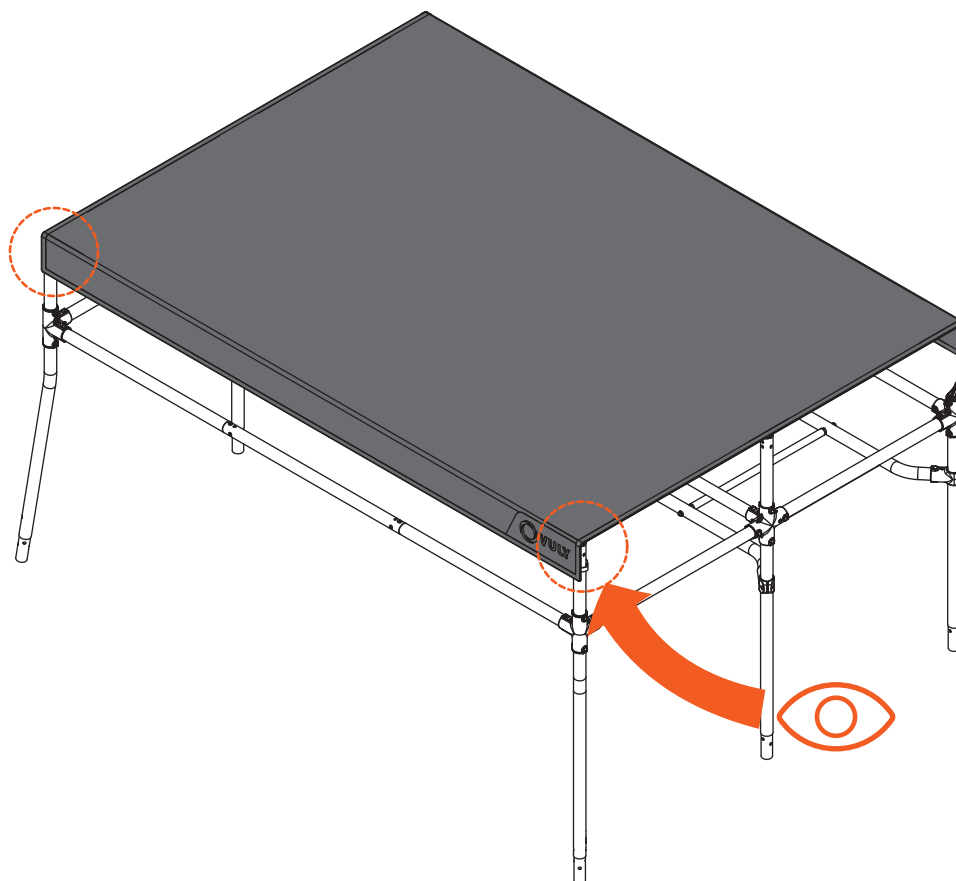
**REMARQUE:** Continuez jusqu'à ce que le M-SC soit connecté à tous les emplacements indiqués.

**HINWEIS:** Fahren Sie fort, bis die M-SC an allen angegebenen Stellen verbunden ist.

**OPMERKING:** Ga door totdat de M-SC op alle aangegeven plaatsen is verbonden



# 14



**NOTE:** Pass the strap on the M-SC around the S1. Thread the strap through the buckle and pass back over. Pull to tighten and then secure.

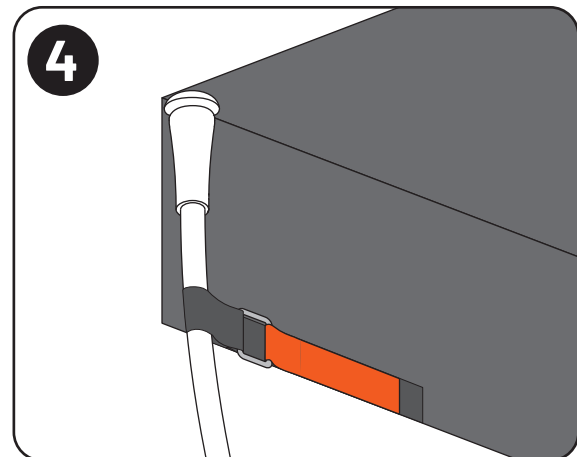
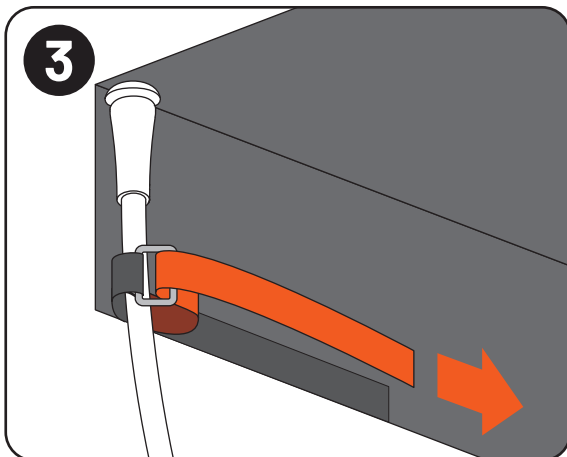
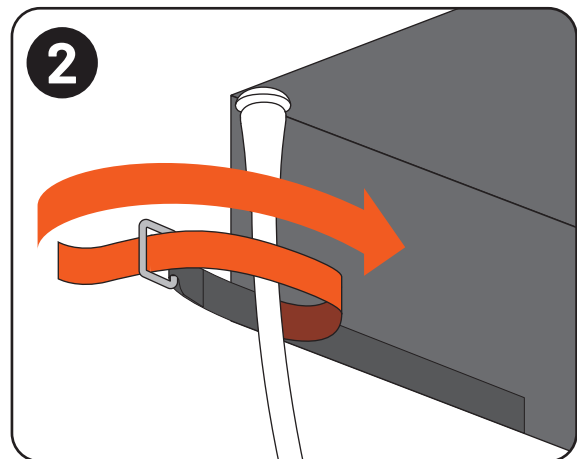
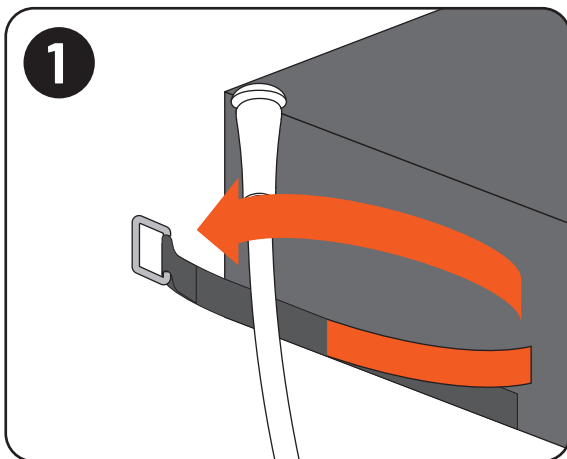
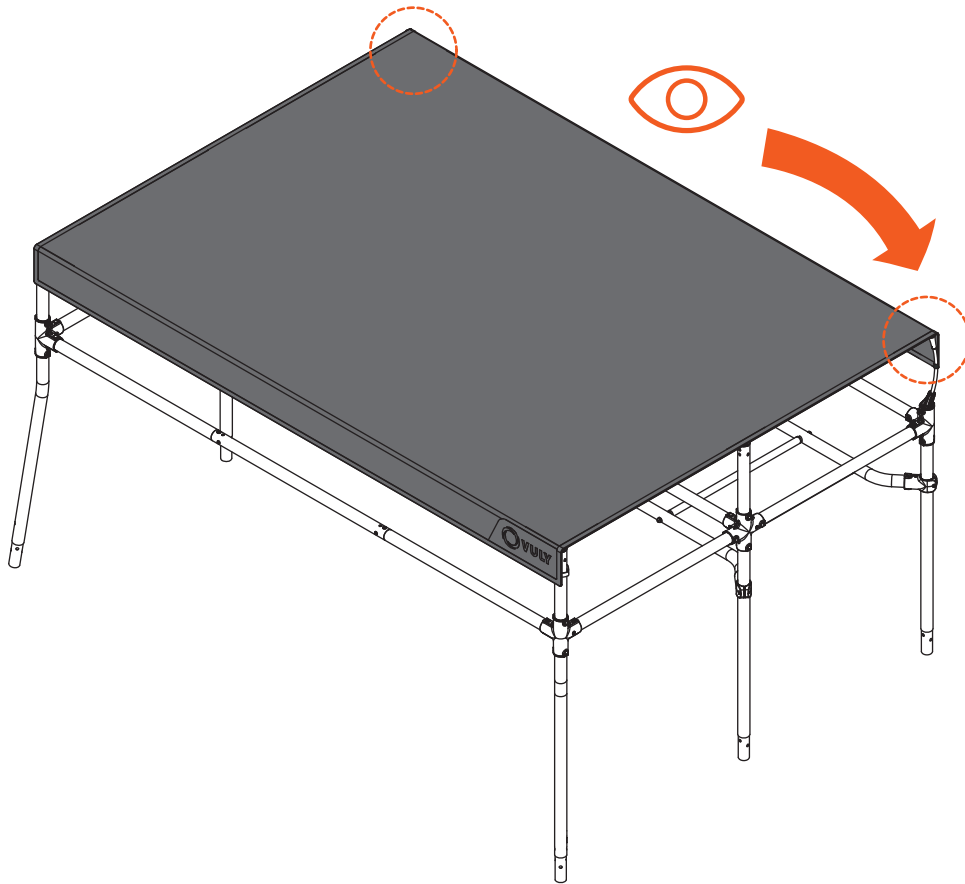
**REMARQUE:** Passez la sangle du M-SC autour du S1. Faites passer la sangle dans la boucle puis repassez-la. Tirez pour serrer, puis sécuriser la sangle.

**HINWEIS:** Führen Sie den Gurt an der M-SC um den S1 herum. Fädeln Sie den Gurt durch die Schnalle und führen Sie ihn zurück darüber. Ziehen Sie zum Spannen und Sichern.

**OPMERKING:** Leid de band van de M-SC rond de S1. Steek de band door de gesp en haal hem terug over. Trek aan om vast te zetten en beveilig vervolgens.



# 15



**NOTE:** Pass the strap on the M-SC around the SPB. Thread the strap through the buckle and pass back over. Pull to tighten and then secure.

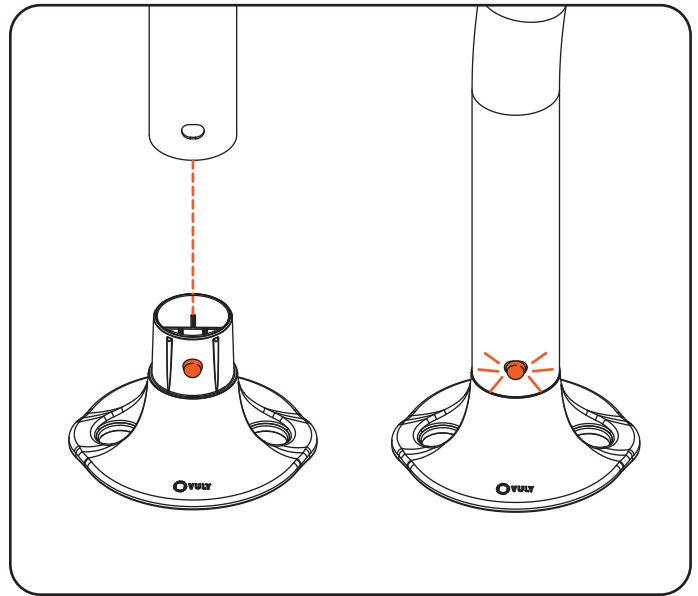
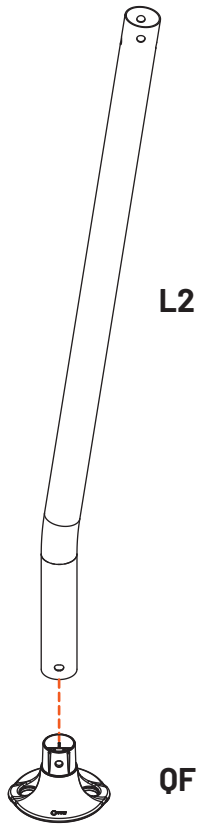
**REMARQUE:** Passez la sangle du M-SC autour du SPB. Faites passer la sangle dans la boucle puis repassez-la. Tirez pour serrer, puis sécuriser la sangle.

**HINWEIS:** Führen Sie den Gurt an der M-SC um den SPB herum. Fädeln Sie den Gurt durch die Schnalle und führen Sie ihn zurück darüber. Ziehen Sie zum Spannen und Sichern.

**OPMERKING:** Leid de band van de M-SC rond de SPB. Steek de band door de gesp en haal hem terug over. Trek aan om vast te zetten en beveilig vervolgens.



# 16



# x2



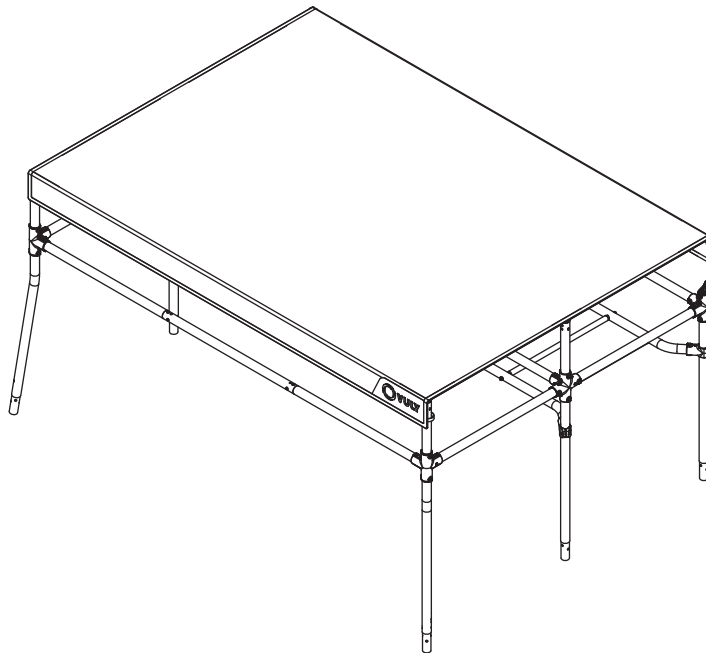
**WARNING!** Ensure that push buttons on QF are correctly engaged.

**ATTENTION!** Assurez-vous que les boutons-poussoirs sur les QF sont correctement enclenchés.

**ACHTUNG!** Stellen Sie sicher, dass die Druckknöpfe an den QF korrekt eingerastet sind.

**WAARSCHUWING!** Zorg ervoor dat de drukknoppen op de QF correct vastklikken.

# 17



**NOTE:** View from far side for next steps.

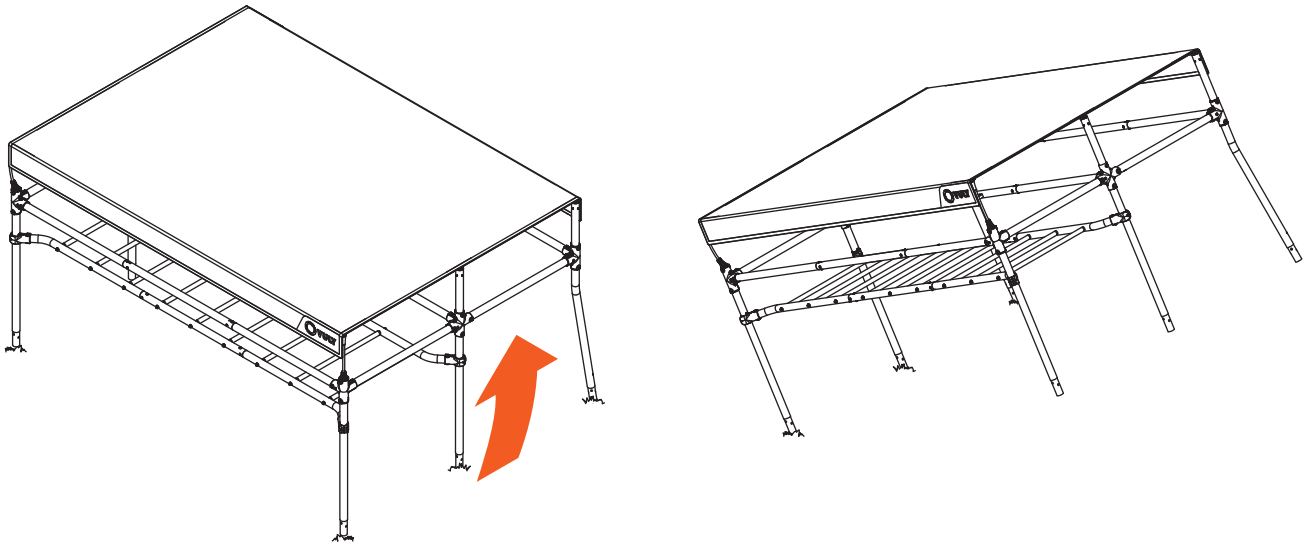
**REMARQUE:** Vue depuis le côté opposé pour les prochaines étapes.

**HINWEIS:** Ansicht von der gegenüberliegenden Seite für die nächsten Schritte.

**OPMERKING:** Bekijk vanaf de overzijde voor de volgende stappen.



# 18



**WARNING!** Lift frame with two people while a third person inserts the H-Frame and L2 legs.

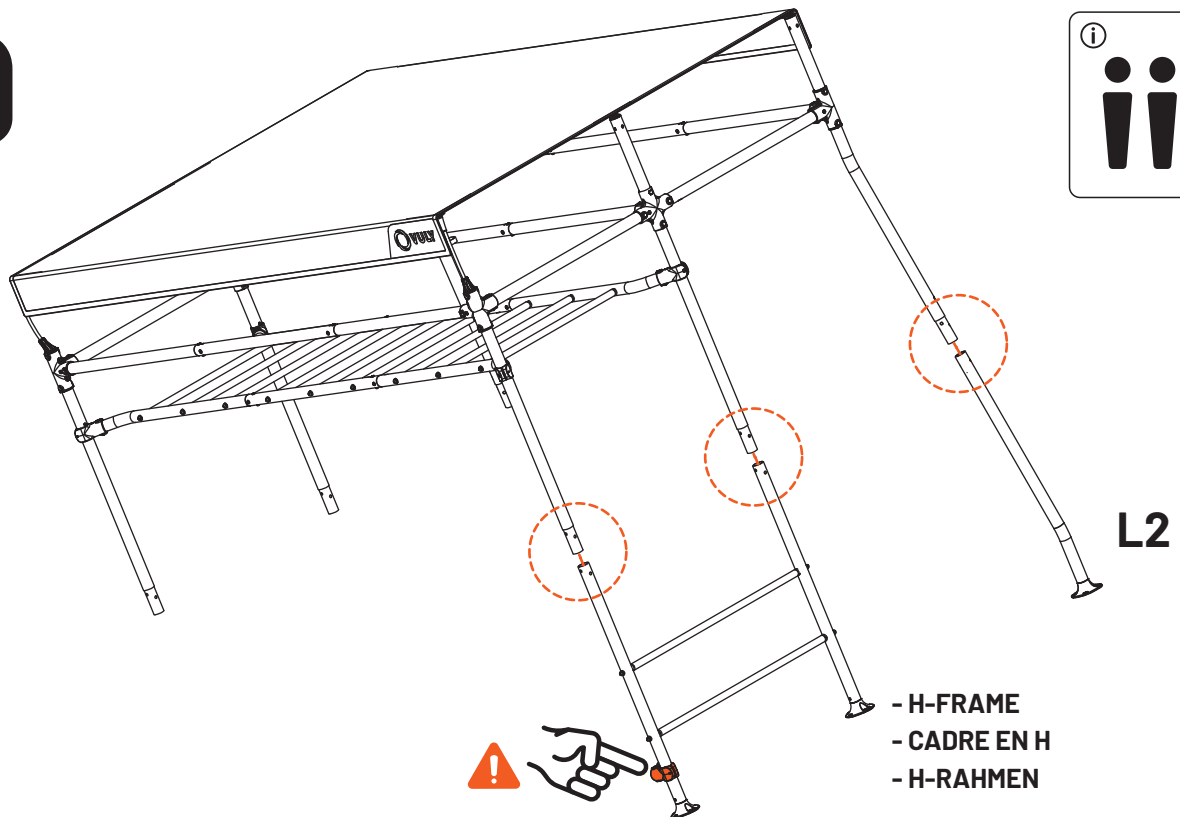
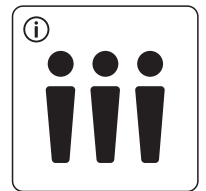
**ATTENTION!** Soulevez le cadre avec deux personnes pendant qu'une troisième insère le cadre en H et les pieds L2.

**ACHTUNG!** Heben Sie den Rahmen mit zwei Personen an, während eine dritte Person den H-Rahmen und die L2-Beine einsetzt.

**WAARSCHUWING!** Til het frame met twee personen op terwijl een derde persoon het H-frame en de L2-poten plaatst.



# 19



**WARNING!** When inserting H-Frame, ensure the AJCB is on the outside.

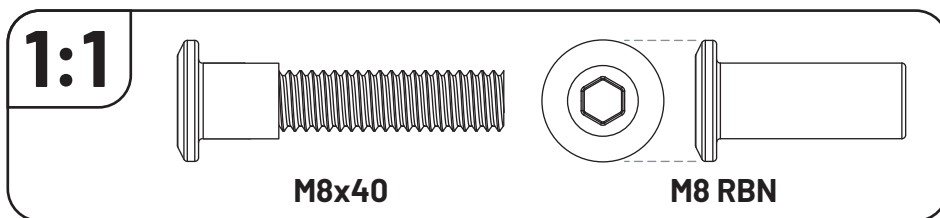
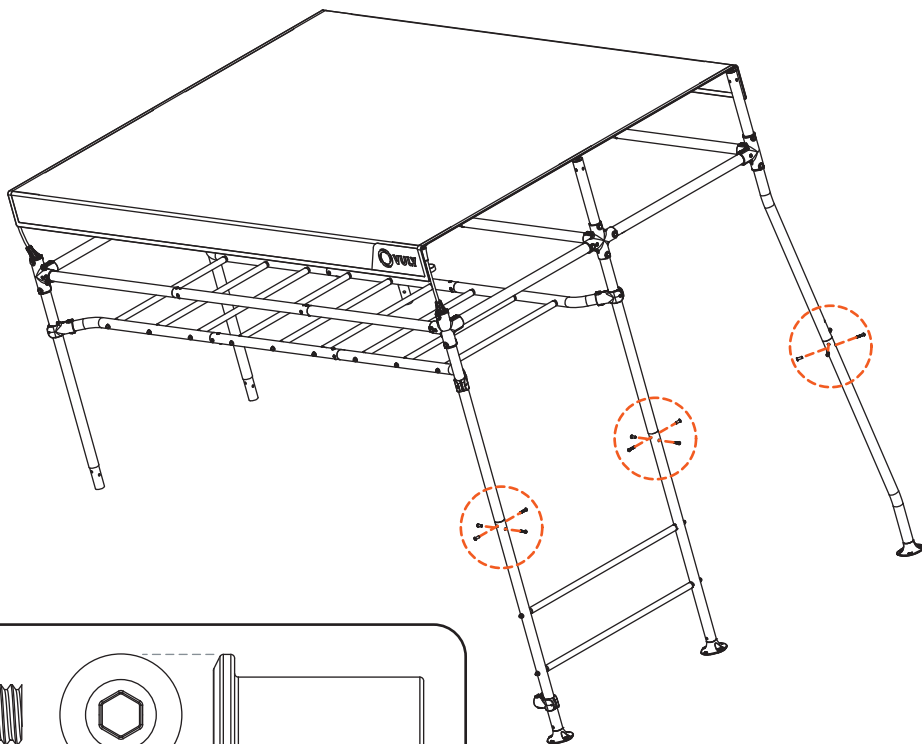
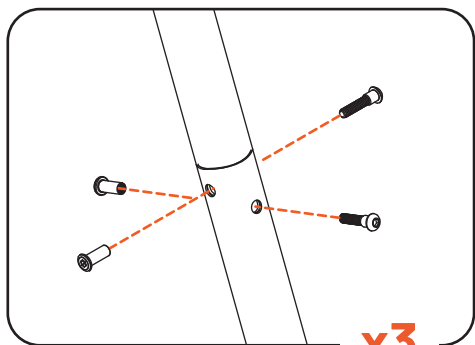
**ATTENTION!** Lors de l'insertion du cadre en H, Assurez-vous que l'AJCB est à l'extérieur.

**ACHTUNG!** Achten Sie beim Einsetzen des H-Rahmens darauf, dass die AJCB außen liegt.

**WAARSCHUWING!** Zorg er bij het plaatsen van het H-frame voor dat de AJCB aan de buitenzijde zit.



# 20



**NOTE:** If H-Frame and T1 tube holes don't align, see:

**REMARQUE:** Si les trous du cadre en H et du tube T1 ne sont pas alignés, voir:

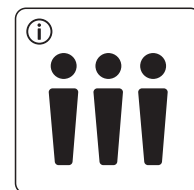
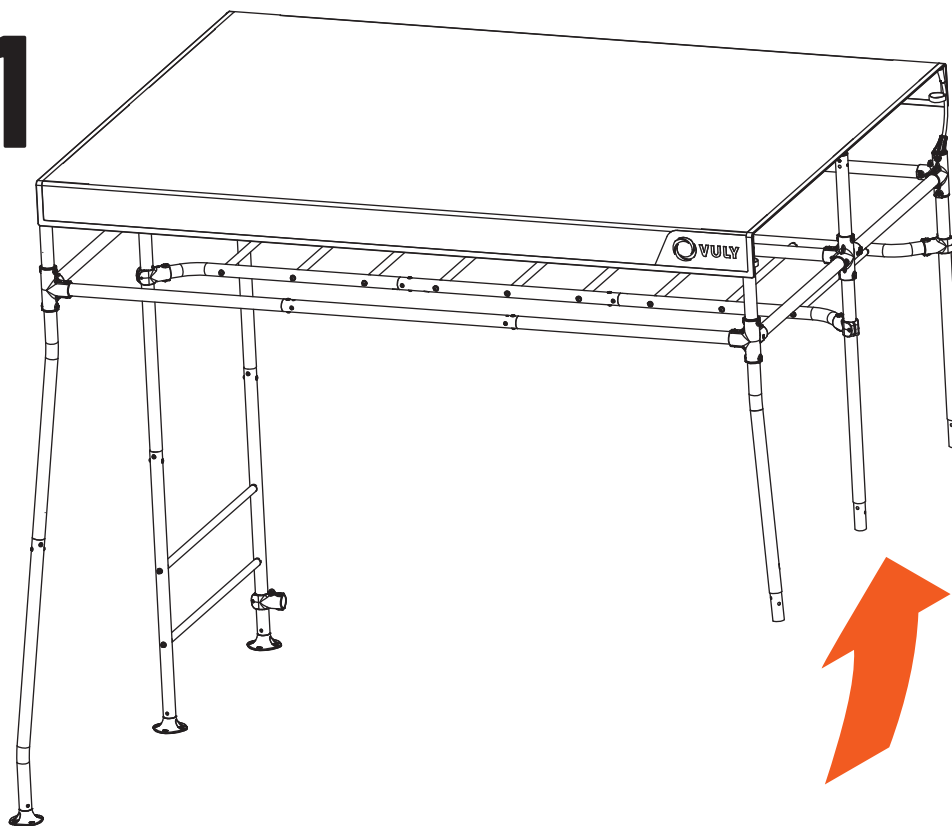
**HINWEIS:** Wenn die Löcher am H-Rahmen und T1-Rohr nicht übereinstimmen, siehe:

**OPMERKING:** Als de gaten van het H-frame en de T1-buis niet op één lijn liggen, zie:

**5.8.1 T1 to H-Frame Hole Alignment / Alignement des Trous entre le Tube T1 et le Cadre en H / T1- bis H-Rahmen-Lochsausrichtung / Uitlijning van gaten tussen T1 en H-frame on page 78**



# 21



**WARNING!** Lift frame with two people while a third person inserts the H-Frame and L2 legs.

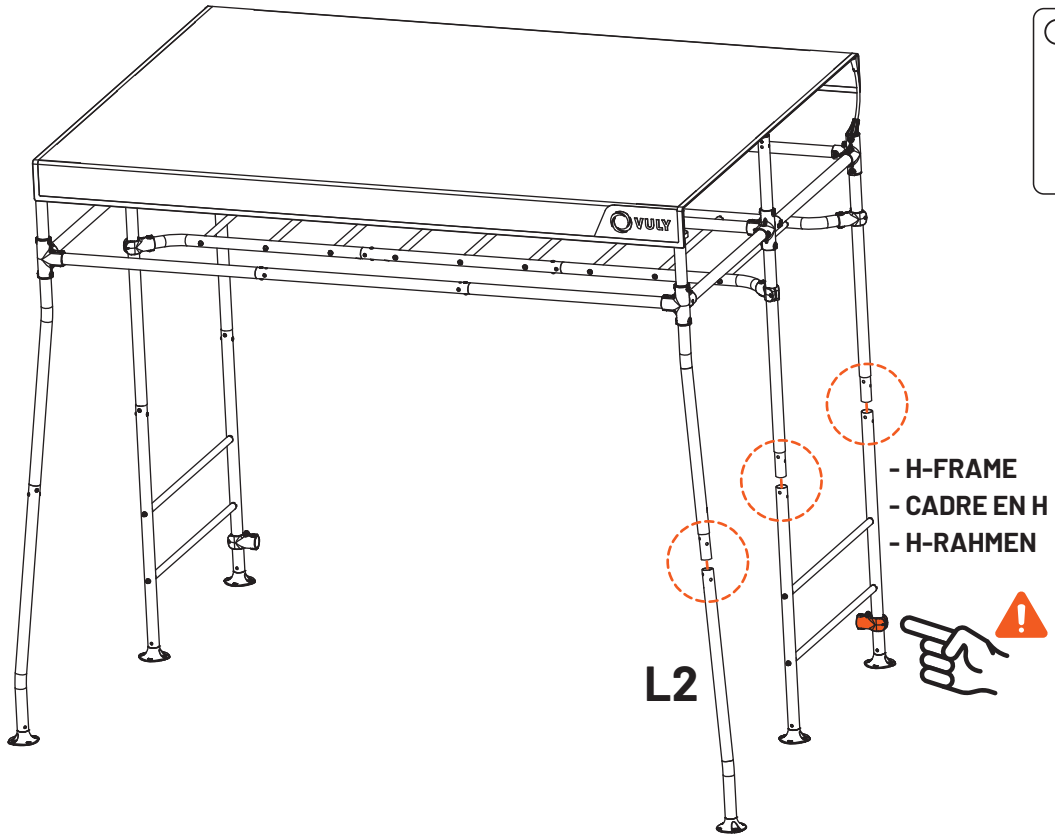
**ATTENTION!** Soulevez le cadre avec deux personnes pendant qu'une troisième insère le cadre en H et les pieds L2.

**ACHTUNG!** Heben Sie den Rahmen mit zwei Personen an, während eine dritte Person den H-Rahmen und die L2-Beine einsetzt.

**WAARSCHUWING!** Til het frame met twee personen op terwijl een derde persoon het H-frame en de L2-poten plaatst.



# 22



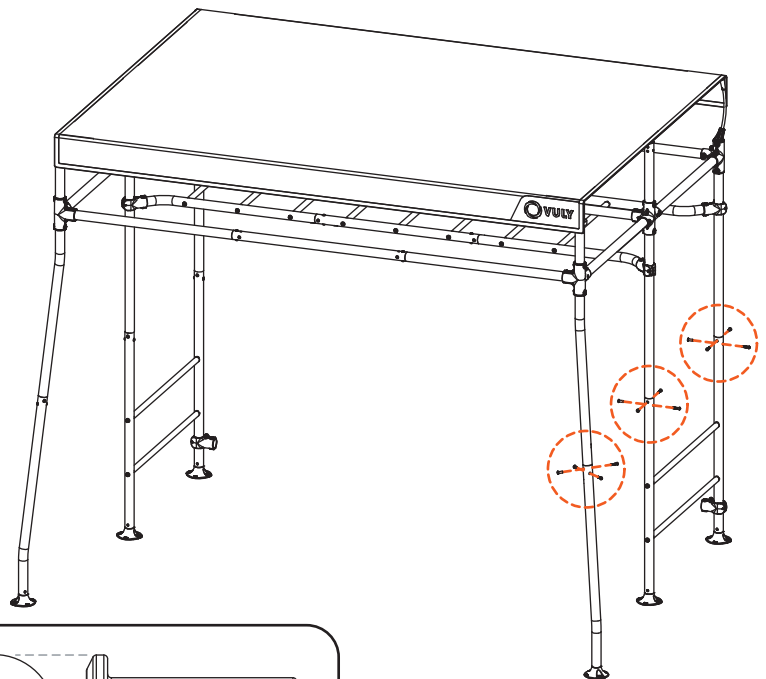
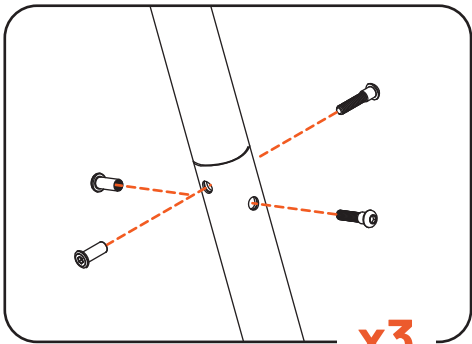
**WARNING!** When inserting H-Frame, ensure the AJCB is on the outside.

**ATTENTION!** Lors de l'insertion du cadre en H, Assurez-vous que l'AJCB est à l'extérieur.

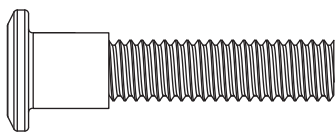
**ACHTUNG!** Achten Sie beim Einsetzen des H-Rahmens darauf, dass die AJCB außen liegt.

**WAARSCHUWING!** Zorg er bij het plaatsen van het H-frame voor dat de AJCB aan de buitenzijde zit.

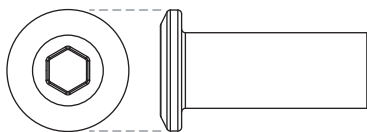
# 23



## 1:1



M8x40



M8 RBN

**NOTE:** If H-Frame and T1 tube holes don't align, see:

**REMARQUE:** Si les trous du cadre en H et du tube T1 ne sont pas alignés, voir:

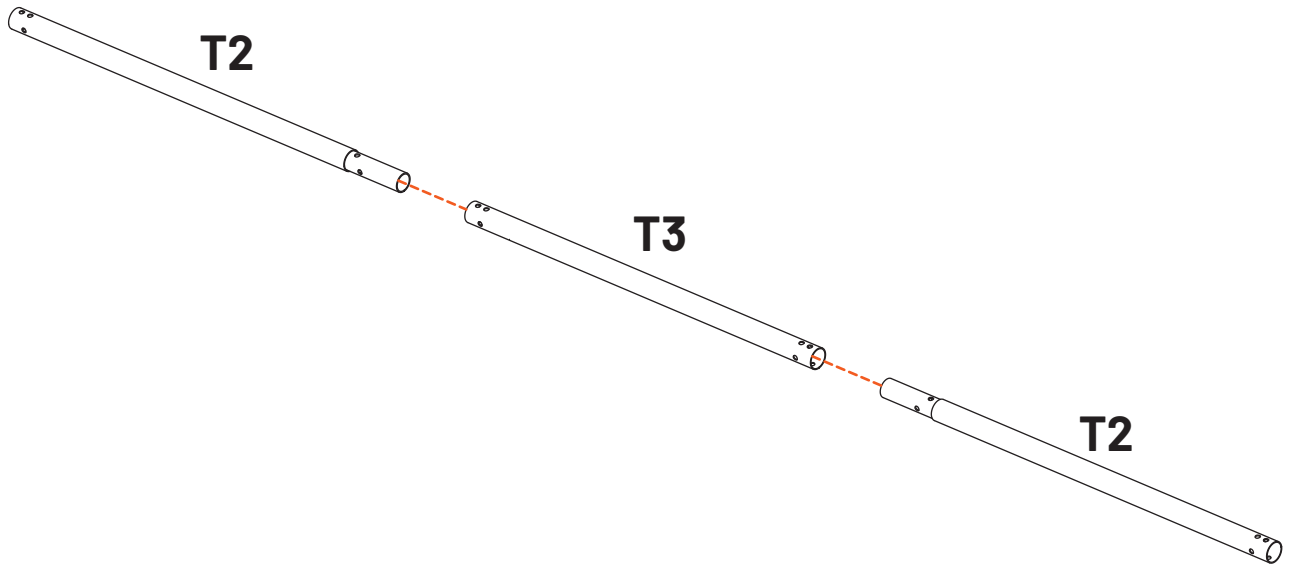
**HINWEIS:** Wenn die Löcher am H-Rahmen und T1-Rohr nicht übereinstimmen, siehe:

**OPMERKING:** Als de gaten van het H-frame en de T1-buis niet op één lijn liggen, zie:

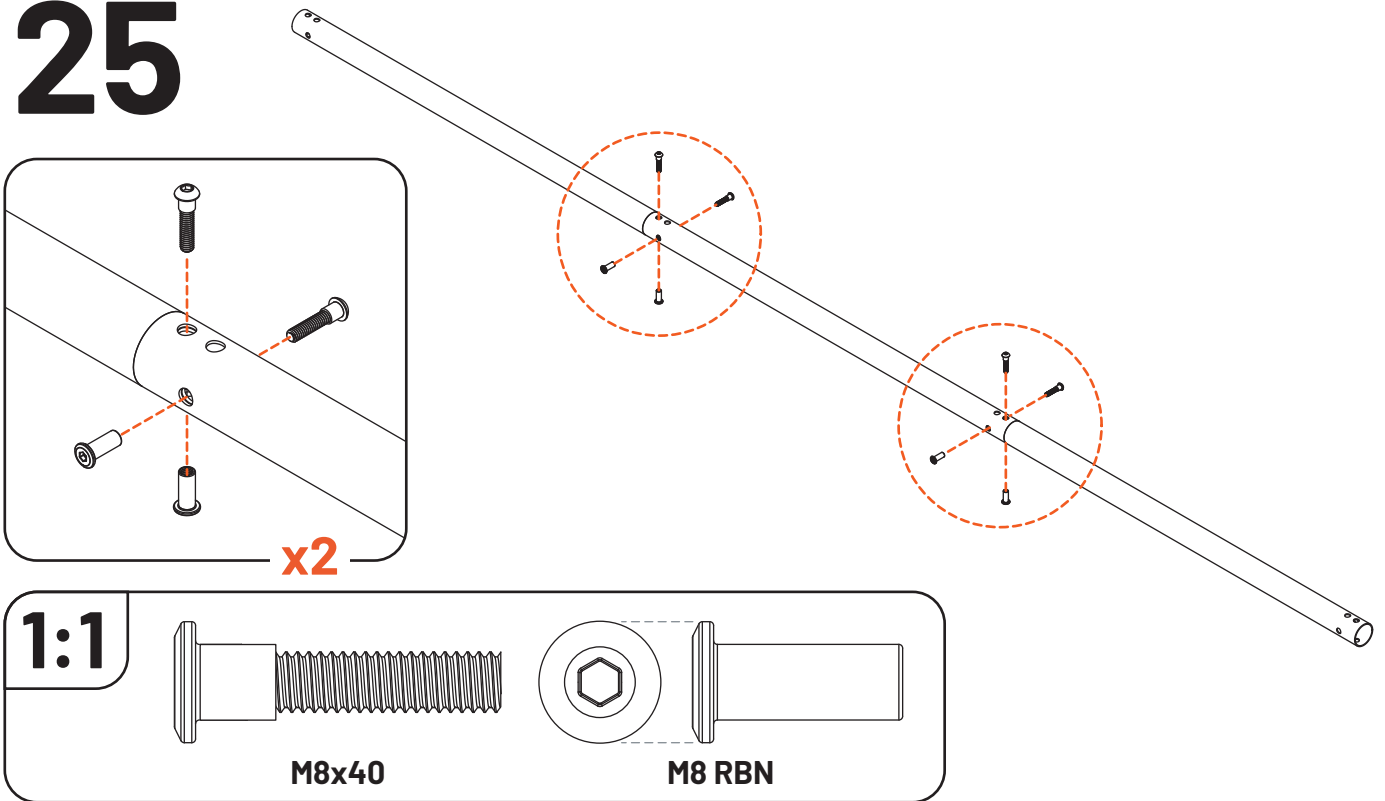
**5.8.1 T1 to H-Frame Hole Alignment / Alignement des Trous entre le Tube T1 et le Cadre en H / T1- bis H-Rahmen-Lochsausrichtung / Uitlijning van gaten tussen T1 en H-frame ~ pg. 78**



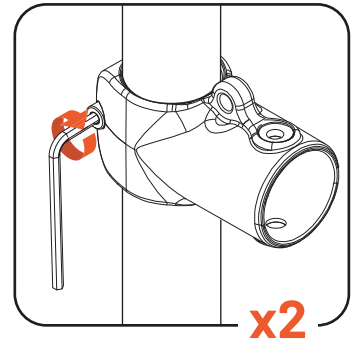
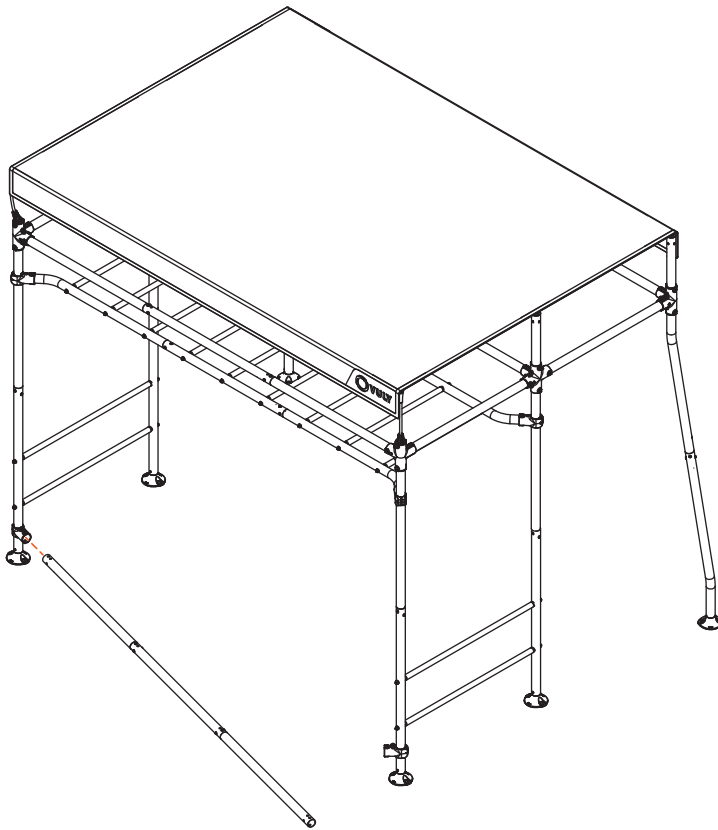
# 24



# 25



# 26



**NOTE:** Loosen each AJCB to assist with inserting T2,T3,T2 assembly.

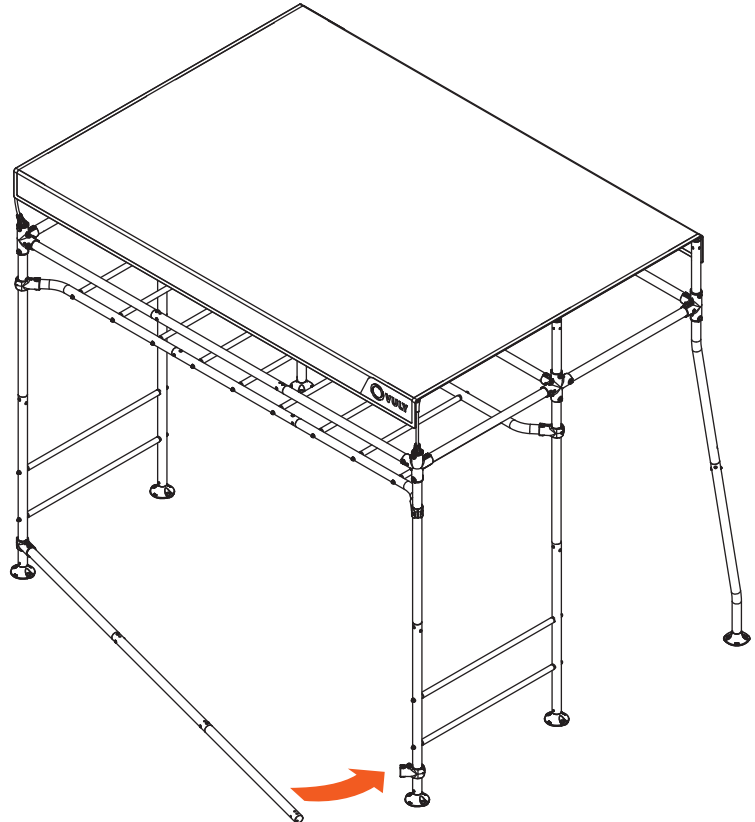
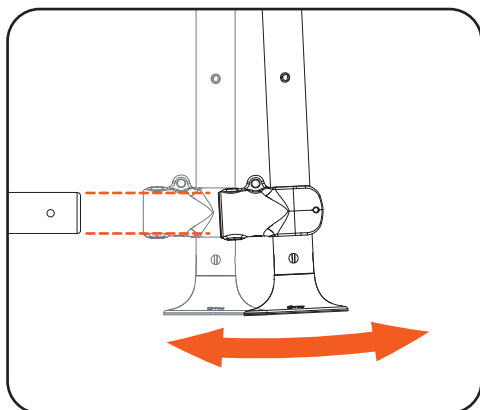
**REMARQUE:** Desserez chaque AJCB pour faciliter l'insertion de l'assemblage T2, T3, T2.

**HINWEIS:** Lockern Sie jede AJCB, um das Einsetzen der T2, T3, T2 Baugruppe zu erleichtern.

**OPMERKING:** Maak elke AJCB los om te helpen bij het plaatsen van de T2-, T3-, T2-assemblage.



# 27



**NOTE:** With a second person, pull out H-Frame to assist with inserting the other end of the 3M Span.

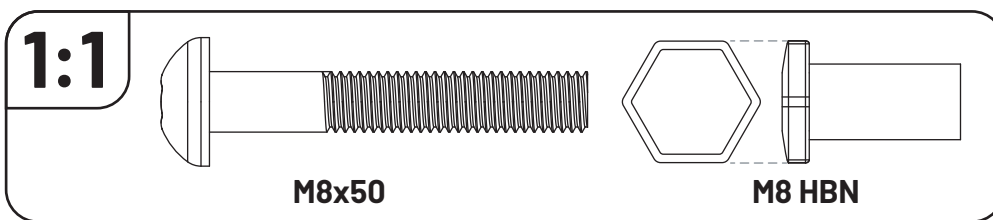
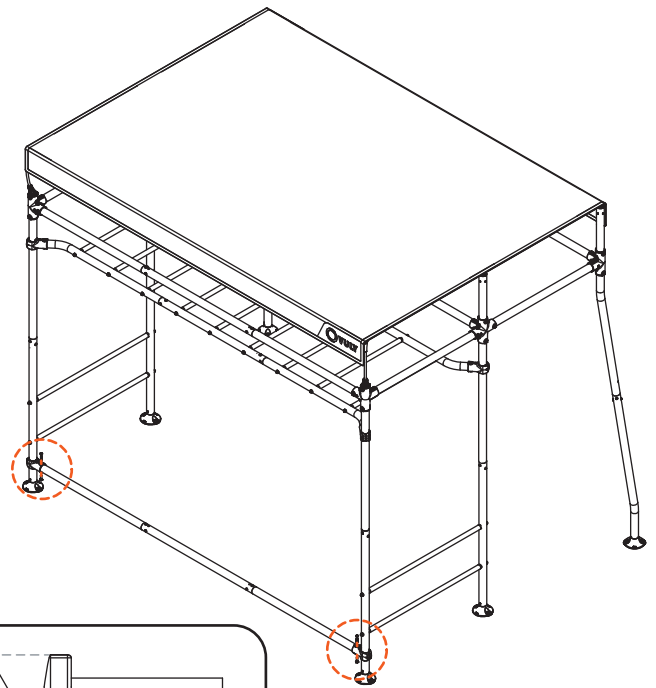
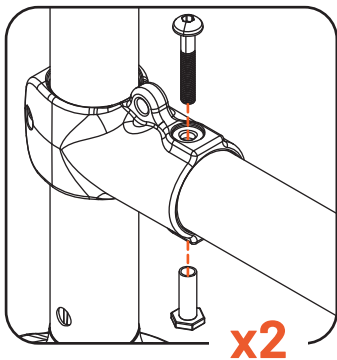
**REMARQUE:** Avec l'aide d'une deuxième personne, tirez le cadre en H pour aider à insérer l'autre extrémité de la portée de 3m.

**HINWEIS:** Ziehen Sie mit Hilfe einer zweiten Person den H-Rahmen heraus, um das Einsetzen des anderen Endes der 3M-Spanne zu erleichtern.

**OPMERKING:** Trek samen met een tweede persoon het H-frame naar buiten om te helpen bij het plaatsen van het andere uiteinde van de 3M-ligger.



# 28



**ENSURE THAT ALL NUTS AND BOLTS ARE TIGHTENED AT THIS STAGE**

- MONKEY BAR
- TOP FRAME
- H-FRAMES
- ALL JOINERS CONNECTION
- ALL TUBES CONNECTION

**LADDER REQUIRED**

**ASSUREZ-VOUS QUE TOUS LES ÉCROUS ET BOULONS SONT SERRÉS À CE STADE**

- BARRE DE SINGE
- CADRE SUPÉRIEUR
- CADRES EN H
- TOUTES LES CONNEXIONS DE RACCORDS
- TOUTES LES CONNEXIONS DE TUBES

**ÉCHELLE REQUISE**

**STELLEN SIE SICHER, DASS ALLE MUTTERN UND SCHRAUBEN IN DIESEM STADIUM FEST ANGEZOGEN SIND**

- AFFENSTANGEN
- OBERER RAHMEN
- H-RAHMEN
- ALLE VERBINDER ANSCHLÜSSE
- ALLE ROHRVERBINDUNGEN

**LEITER ERFORDERLICH**

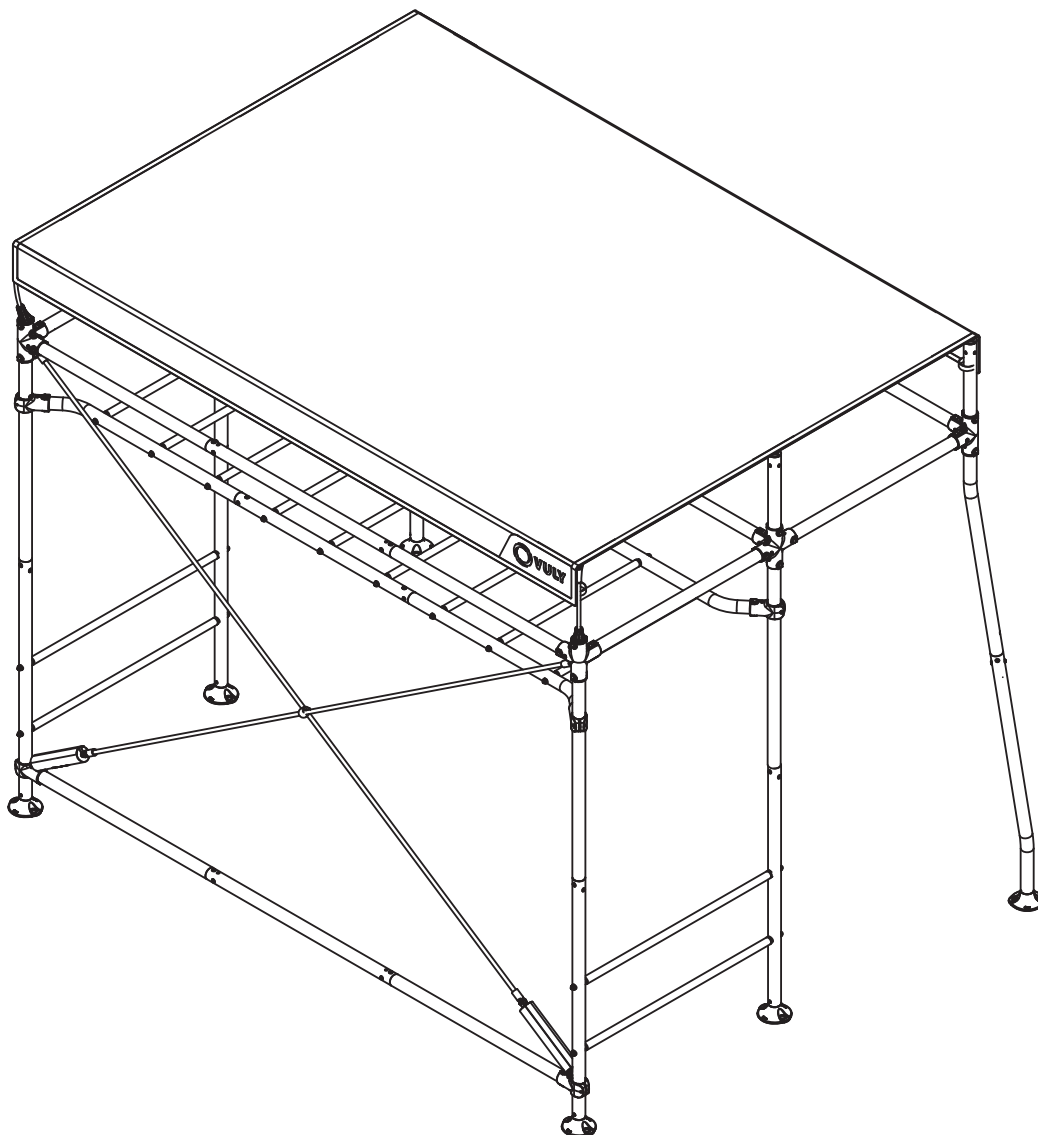
**ZORG ERVOOR DAT ALLE MOEREN EN BOUTEN IN DEZE FASE ZIJN AANGE-DRAAID**

- APENREK
- BOVENFRAME
- H-FRAME
- ALLE VERBINDER-CONNECTIES
- ALLE BUIZEN-CONNECTIES

**LADDER VEREIST**

# 5.6.

# CROSS BRACE / TRAVERSE / KREUZSTREBE / KRUISVERSTERKING



### Required Boxes / Boîtes Requisites / Erforderliche Kartons / Vereiste dozen

M

### Required Components / Composants Requis / Erforderliche Komponenten / Vereiste componenten

Misc. / Div. / Versch. / Diversen

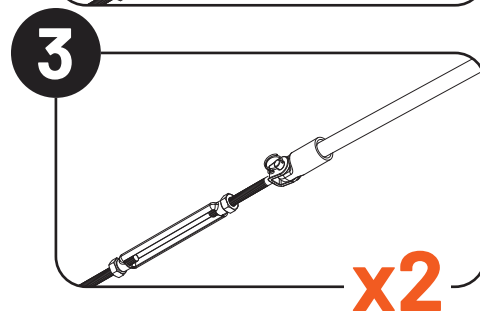
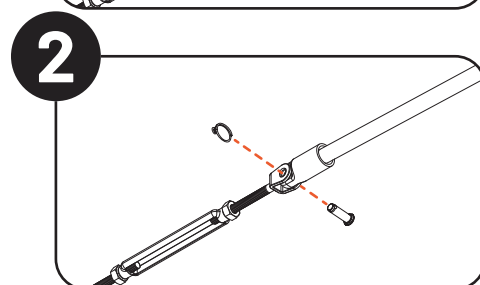
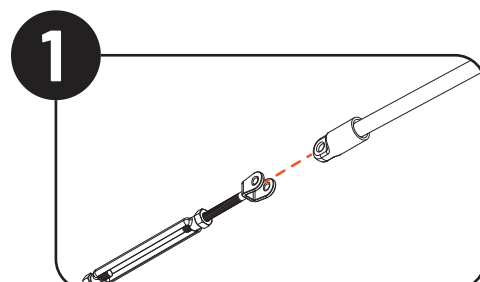
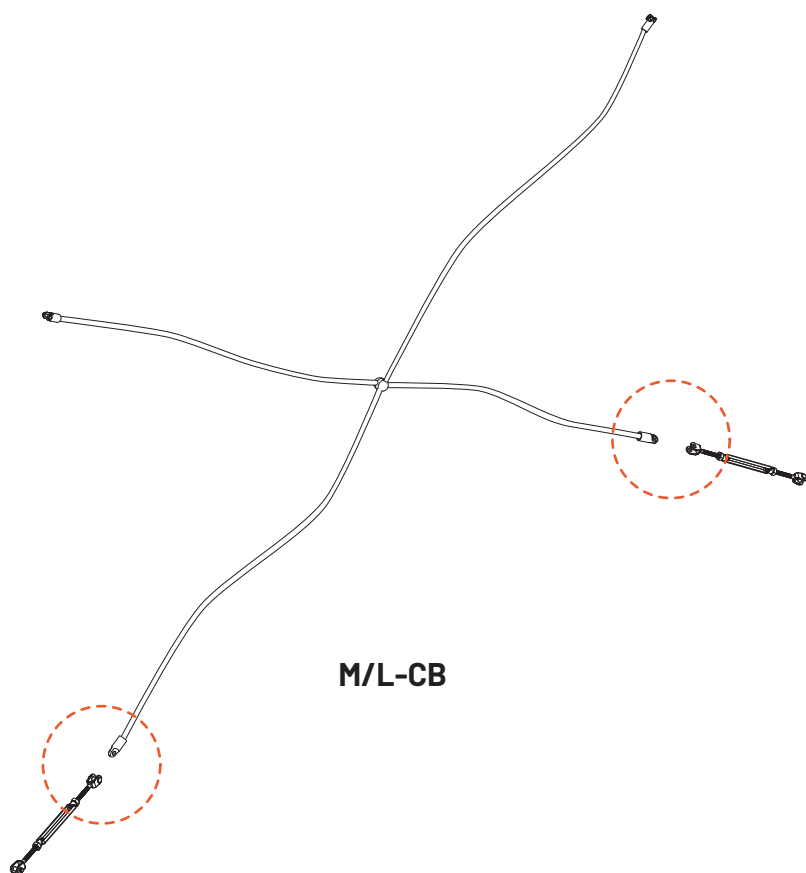
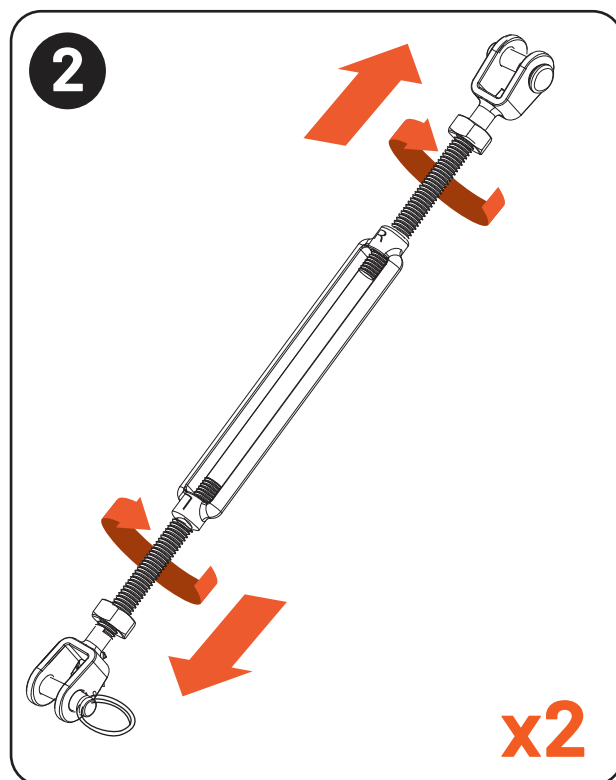
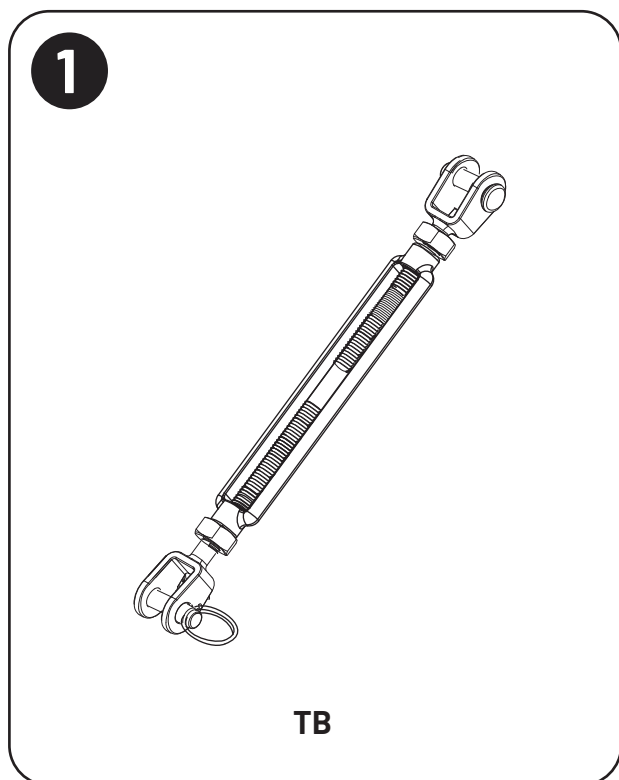
- M/L-CB.....x1
- TB .....x2
- TBC.....x2

Tools / Outils / Werkzeuge / Gereedschap

- 6MK .....x1
- 5MK .....x2



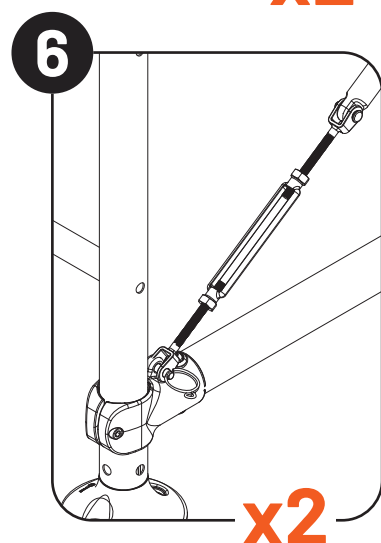
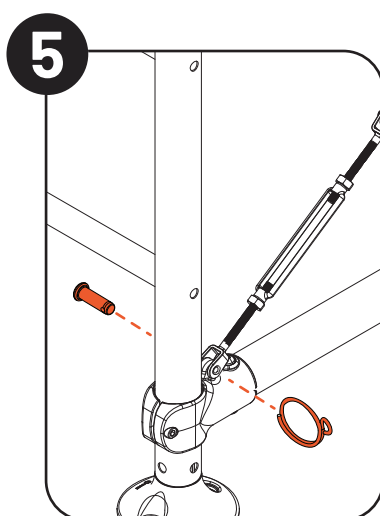
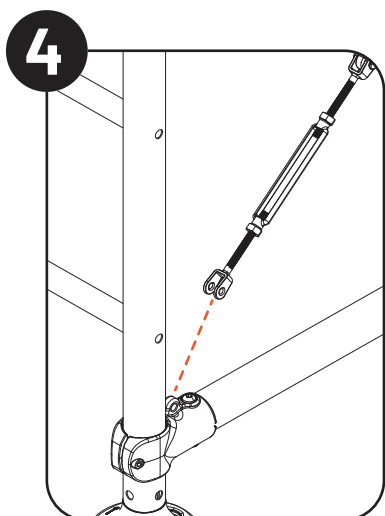
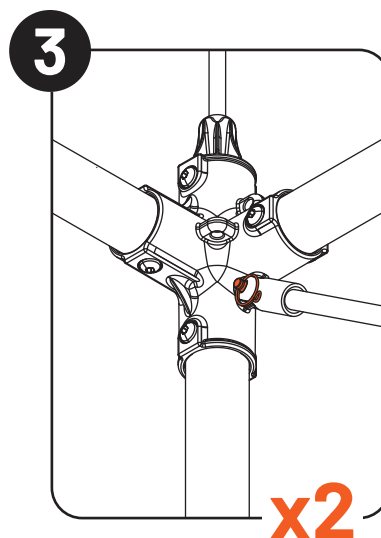
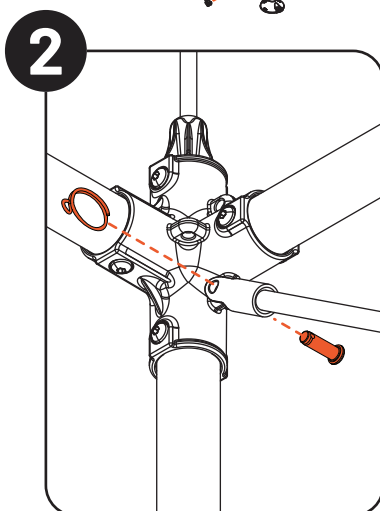
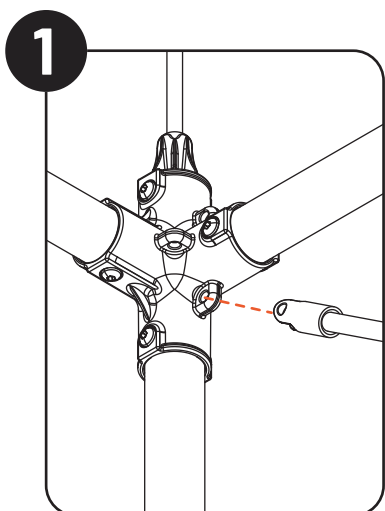
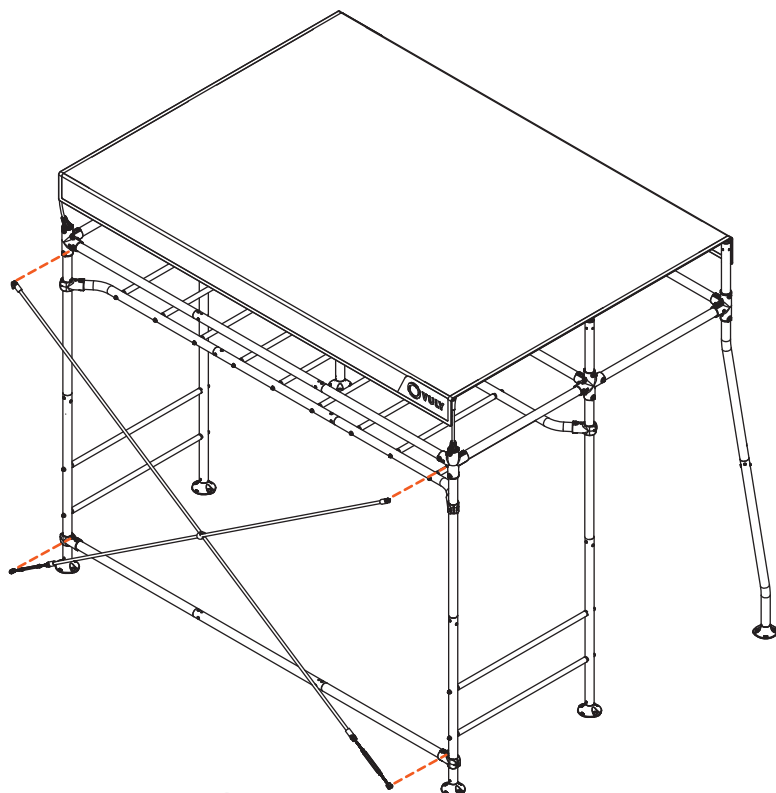
# 1



**NOTE:** To allow for easy attachment of the M/L-CB, turn to extend the TB to full length.  
**REMARQUE:** Pour faciliter la fixation de M/L-CB, tournez pour étendre la TB à sa pleine longueur.  
**HINWEIS:** Um die Befestigung der M/L-CB zu erleichtern, drehen Sie, um die TB vollständig zu verlängern.  
**OPMERKING:** Om het bevestigen van de M/L-CB te vergemakkelijken, draai je de TB uit tot de volledige lengte.



# 2



**NOTE:** With the TB at the lower attachment points, pin the M/L-CB to the frame.

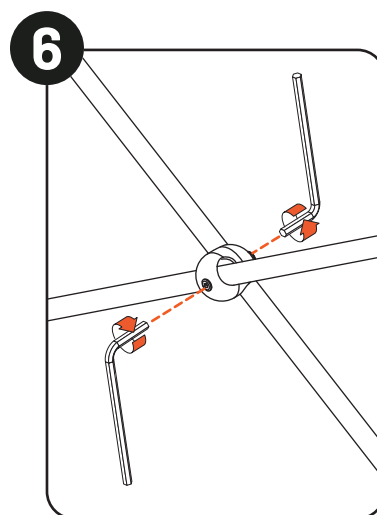
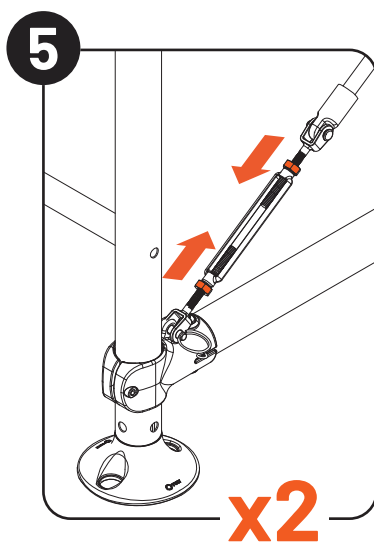
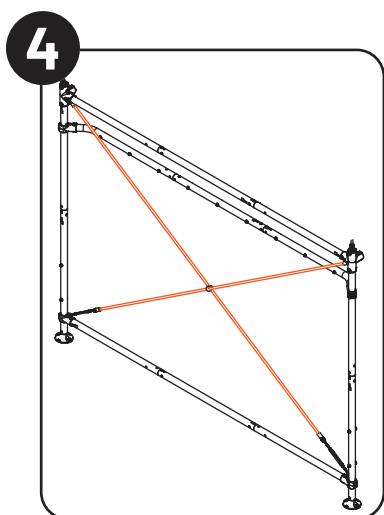
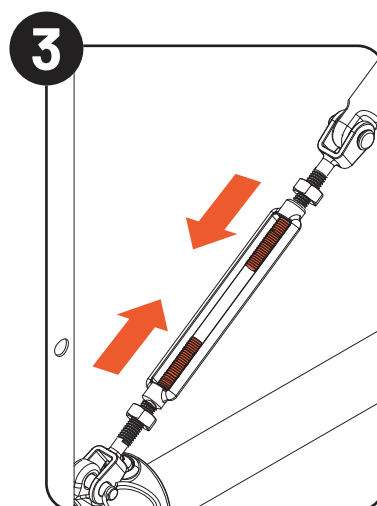
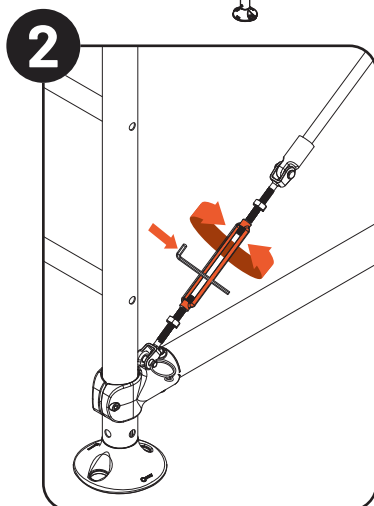
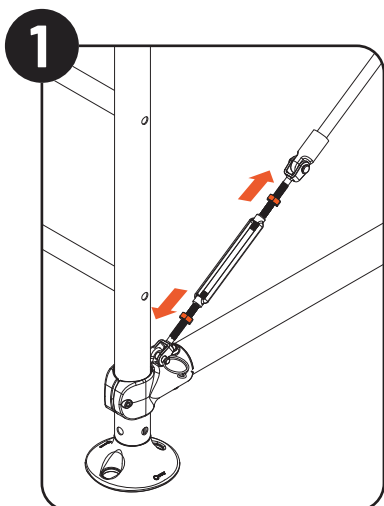
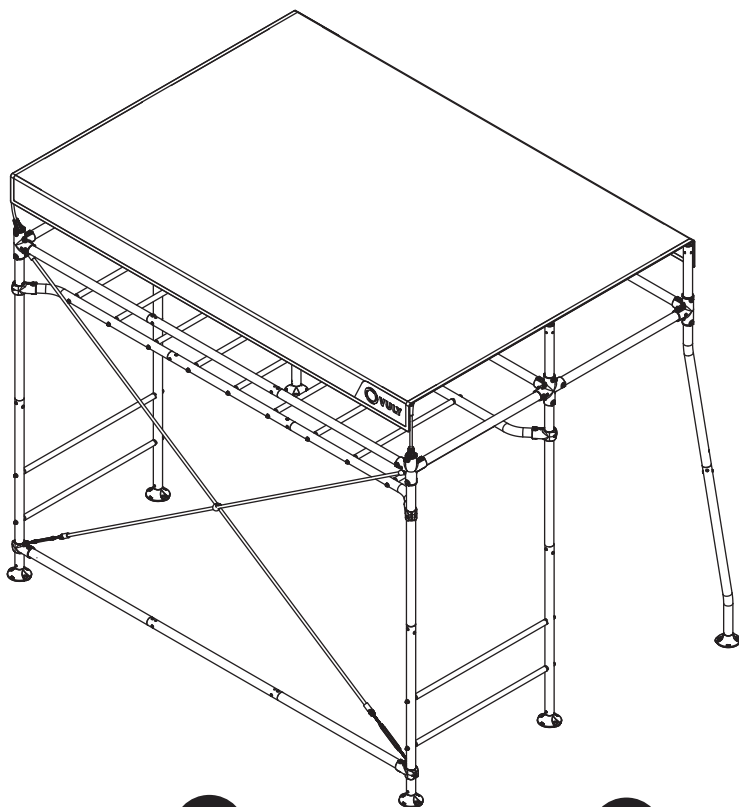
**REMARQUE:** Avec la TB aux points de fixation inférieurs, attachez le M/L-CB au cadre.

**HINWEIS:** Befestigen Sie mit der TB an den unteren Befestigungspunkten die M/L-CB am Rahmen.

**OPMERKING:** Met de TB op de onderste bevestigingspunten bevestig je de M/L-CB aan het frame met een borgpen.



# 3



**NOTE:** Rotate TB to pull the bolts in and tighten the M/L-CB, fasten lock-off nuts to secure.

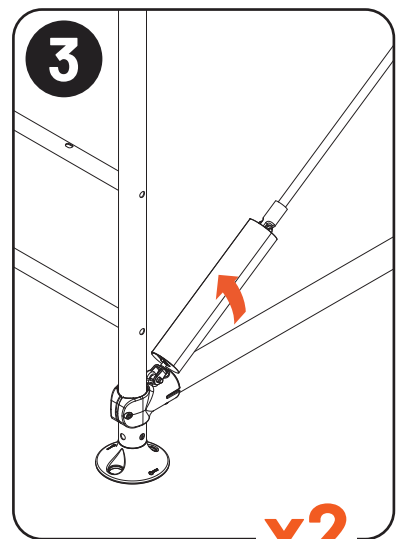
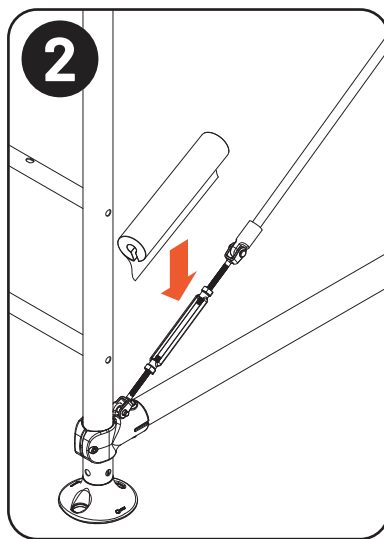
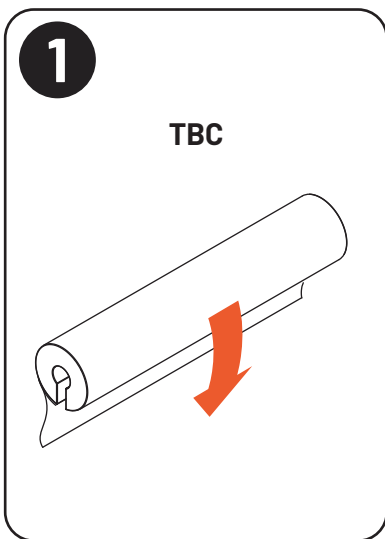
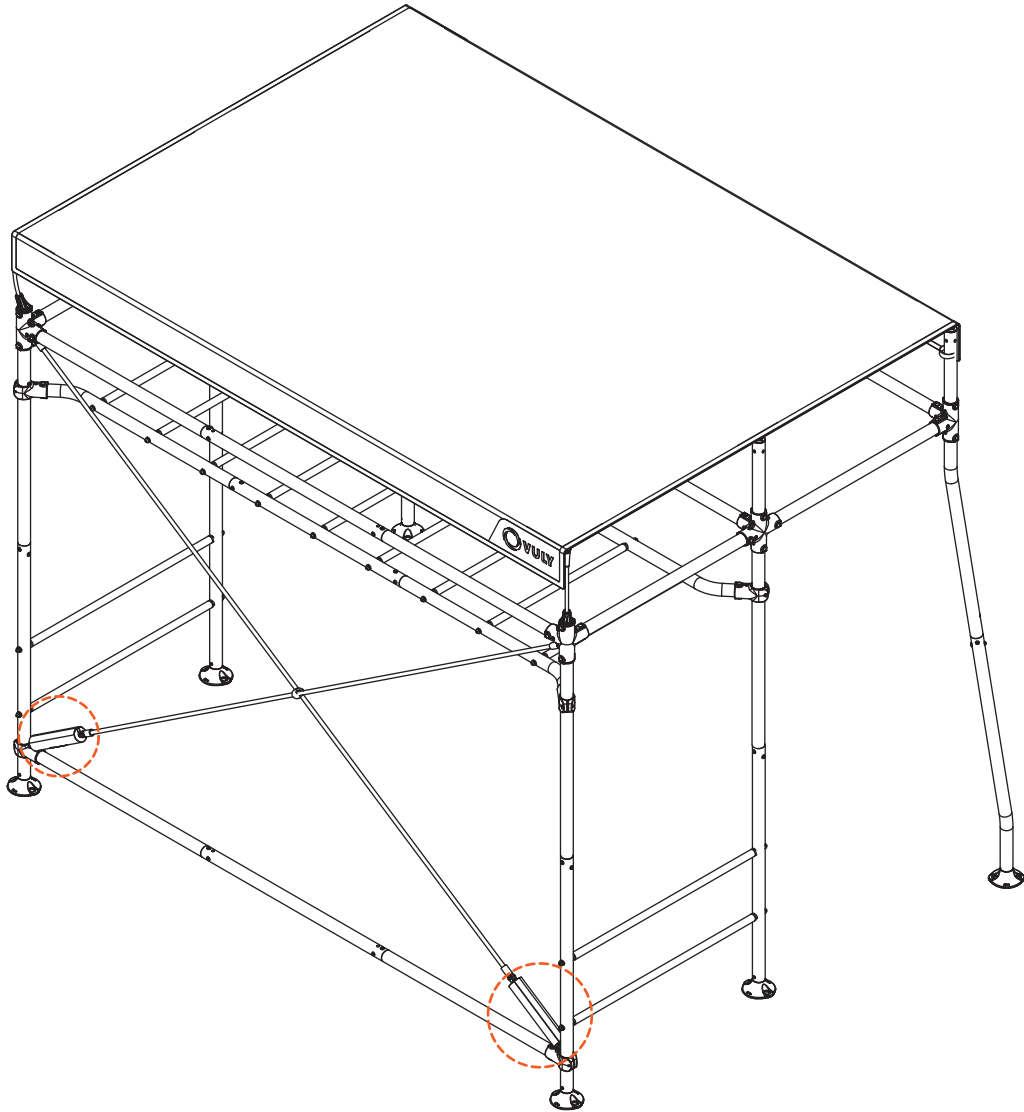
**REMARQUE:** Tournez la TB pour tirer les boulons et serrez le M/L-CB, fixez les écrous de verrouillage pour sécuriser.

**HINWEIS:** Drehen Sie die TB, um die Schrauben anzuziehen und ziehen Sie die M/L-CB an, sichern Sie die Sicherungsmuttern.

**OPMERKING:** Draai de TB om de bouten aan te trekken en de M/L-CB vast te zetten, draai de borgmoeren aan om te beveiligen.



# 4



**NOTE:** Ensure even tension between each TB for best results.

**REMARQUE:** Assurez-vous que la tension est uniforme entre chaque TB pour une meilleure stabilité.

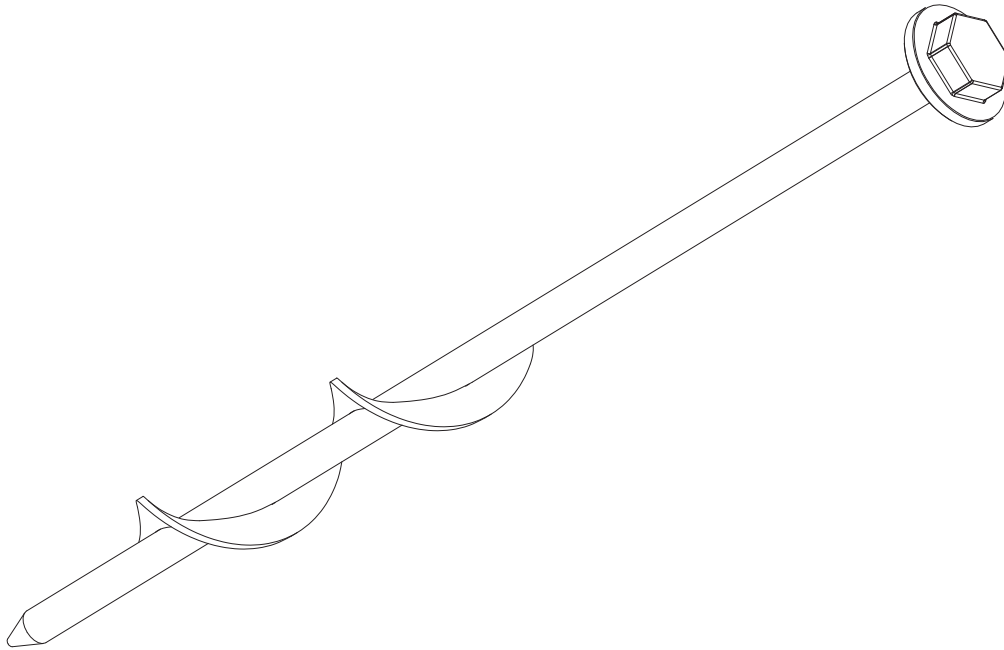
**HINWEIS:** Stellen Sie eine gleichmäßige Spannung zwischen jedem TB, um die besten Ergebnisse zu sicher.

**OPMERKING:** Zorg voor een gelijkmatige spanning tussen elke TB voor het beste resultaat.



# 5.7.

# ANCHORING / ANCRAGE / VERANKERUNG / VERANKERING



### Required Boxes / Boîtes Requises / Erforderliche Kartons / Vereiste dozen

M

### Required Components / Composants Requis / Erforderliche Komponenten / Vereiste componenten

Misc. / Div. / Versch. / Diversen

- AK .....x6

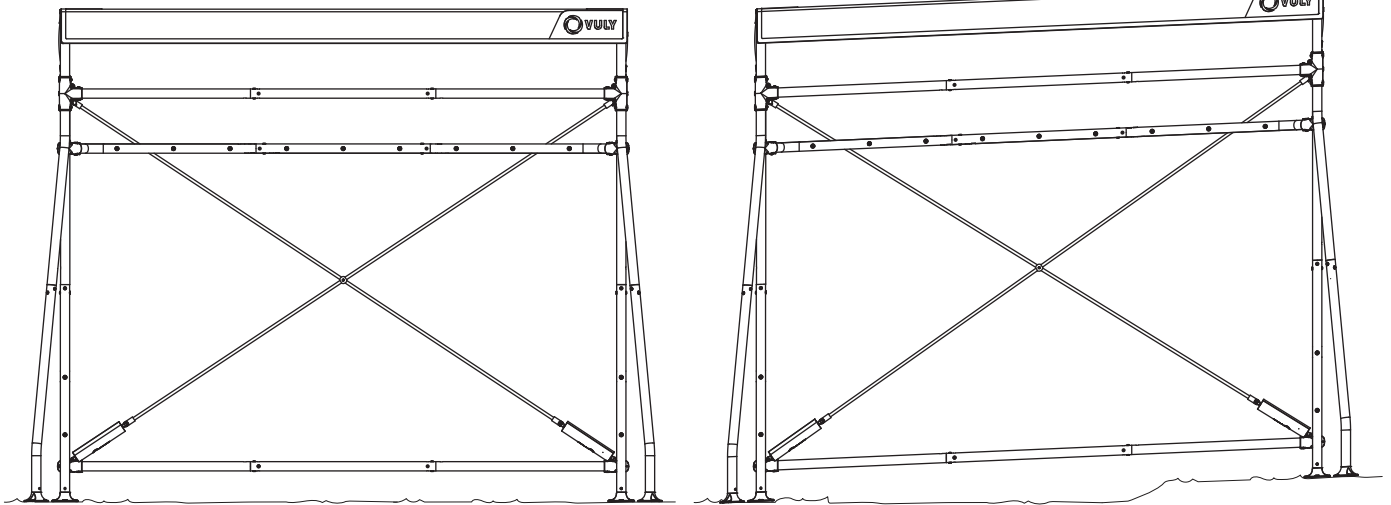
Tools / Outils / Werkzeuge / Gereedschap

- 13mm Socket Driver / Douille 13mm / 13mm Stecknuss ..... x1

- Hammer / Marteau ..... x1



# 1

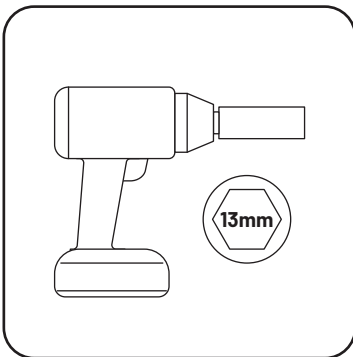


**WARNING!** Ensure that ground at the installation location is level and clear of obstructions. Installing on an uneven surface can cause misalignment and instability.

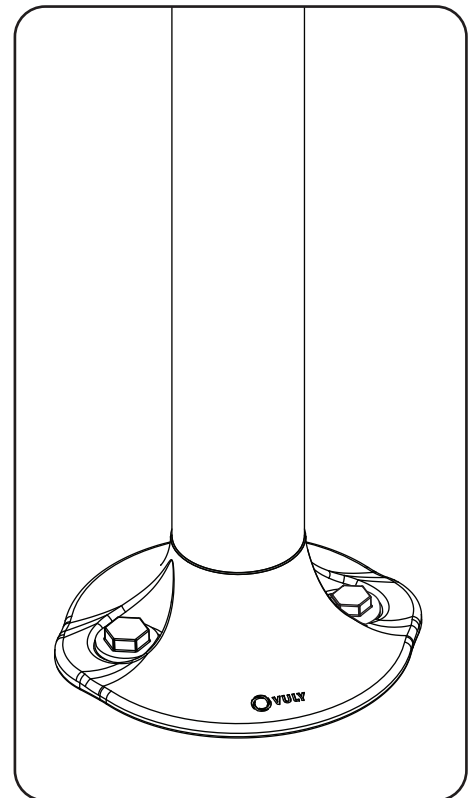
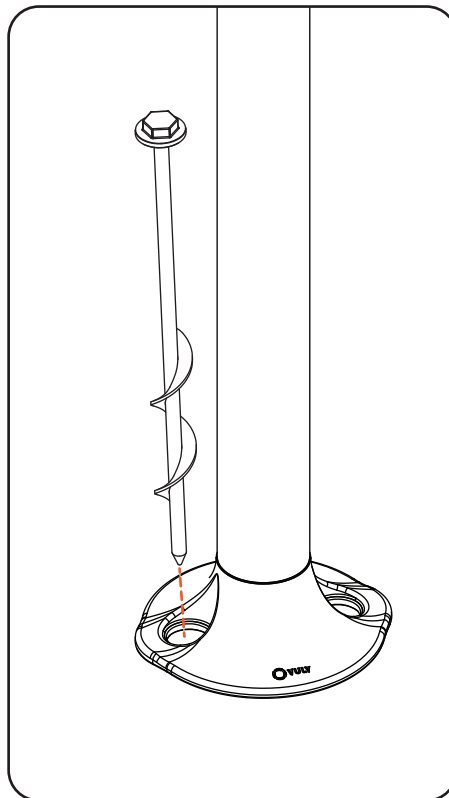
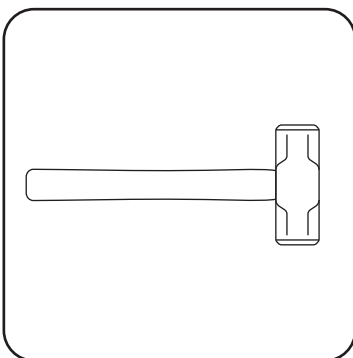
**ATTENTION!** Assurez-vous que le sol à l'emplacement d'installation est de niveau et dégagé de tout obstacles. Une installation sur une surface irrégulière peut entraîner un mauvais alignement et une instabilité.

**ACHTUNG!** Stellen Sie sicher, dass der Boden am Installationsort eben und frei von Hindernissen ist. Die Installation auf einer unebenen Oberfläche kann zu Fehlausrichtungen und Instabilität führen.

**WAARSCHUWING!** Zorg ervoor dat de grond op de installatielocatie vlak is en vrij van obstakels. Installatie op een oneffen ondergrond kan tot verkeerde uitlijning en instabiliteit leiden.



OR / OU / ODER



**WARNING!** To secure, drive AK into the ground with a 13mm driver or a hammer.

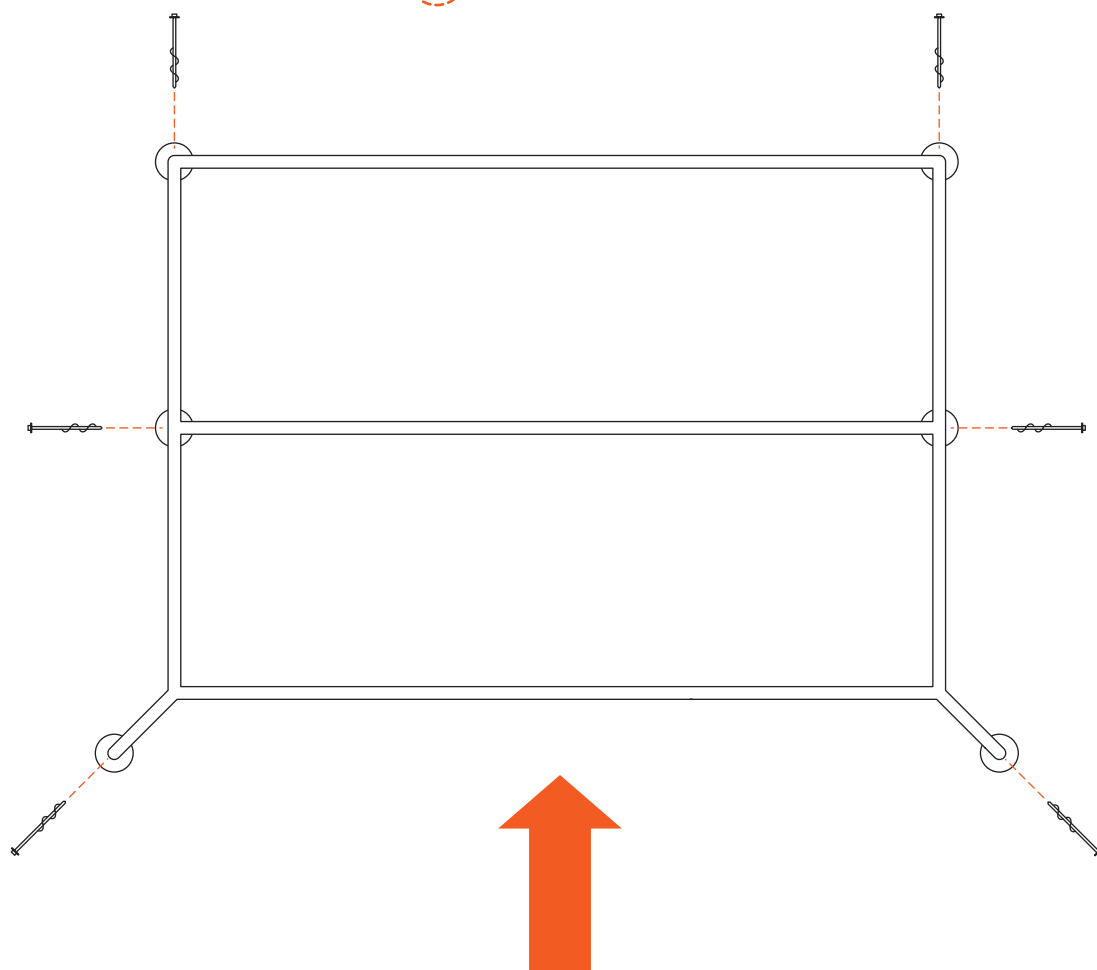
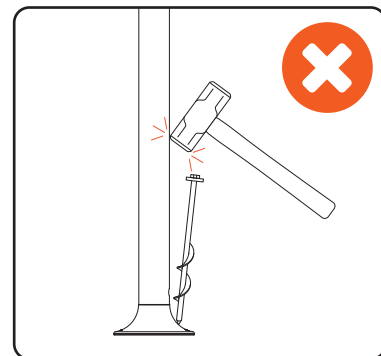
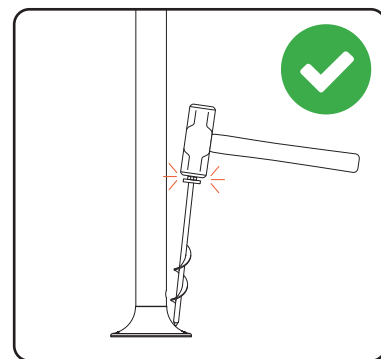
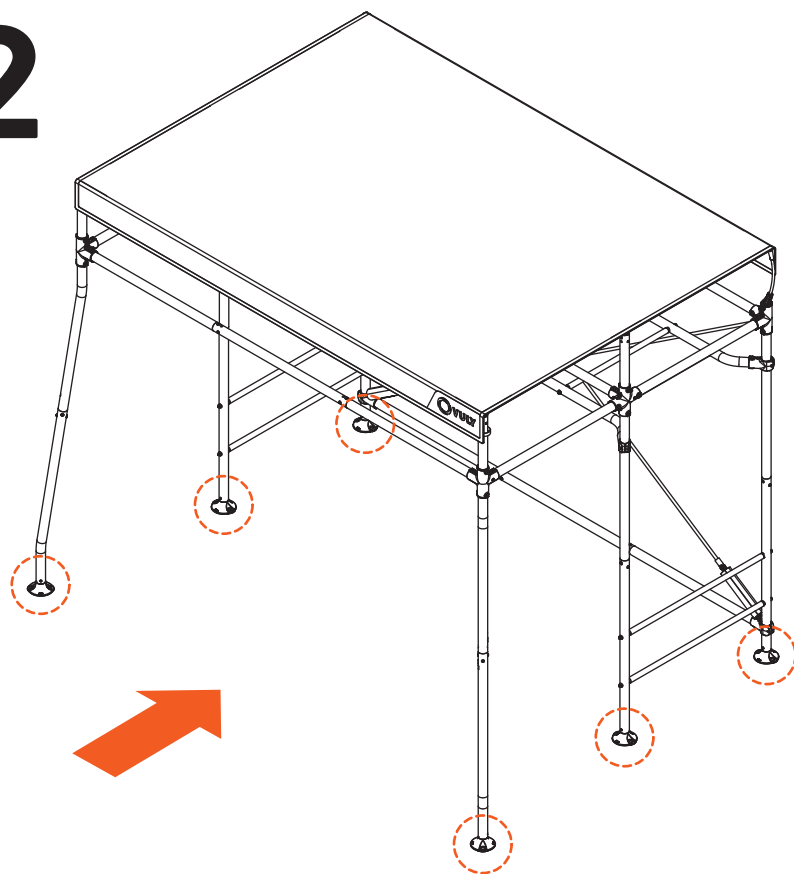
**ATTENTION!** Pour sécuriser l'installation, enfoncez le AK dans le sol avec une visseuse adaptée et douille de 13mm, ou un marteau.

**ACHTUNG!** Zum Sichern schlagen Sie den AK mit einem 13-mm-Schraubendreher oder Hammer in den Boden.

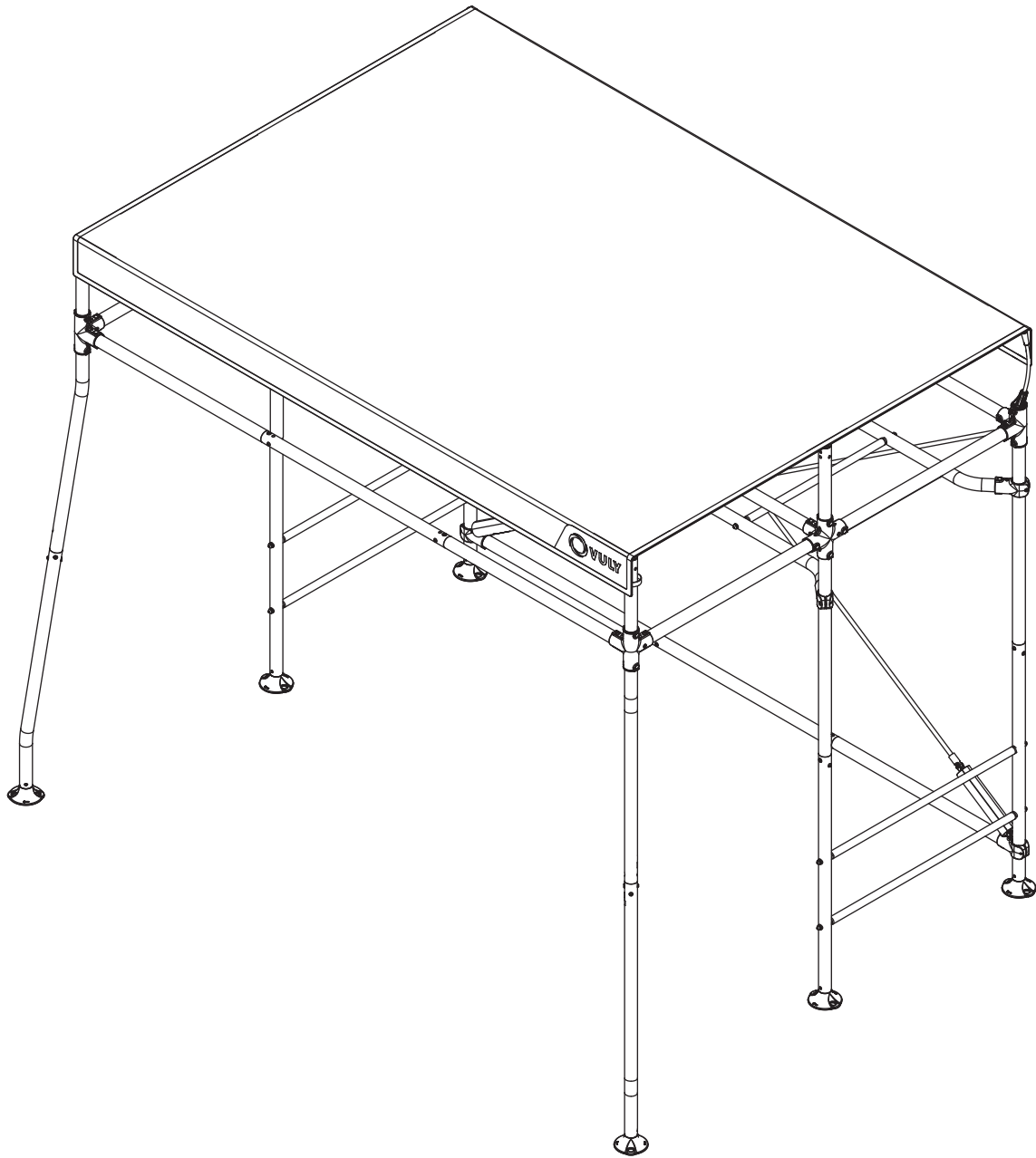
**WAARSCHUWING!** Sla de AK in de grond met een 13 mm-dopsleutel of met een hamer om deze vast te zetten.



# 2



**CONGRATULATIONS! / FÉLICITATIONS!  
GLÜCKWUNSCH! / GEFELICITEERD!**



**You have assembled your Quest 2 playset!  
Vous avez assemblé votre aire de jeu Quest 2!  
Sie haben Ihr Quest 2-Spielset zusammengebaut!  
Je hebt je Quest 2-speeltoestel gemonteerd!**



## 5.8.

# TROUBLESHOOTING / DÉPANNAGE / FEHLERBEHEBUNG / PROBLEEMOPLOSSING

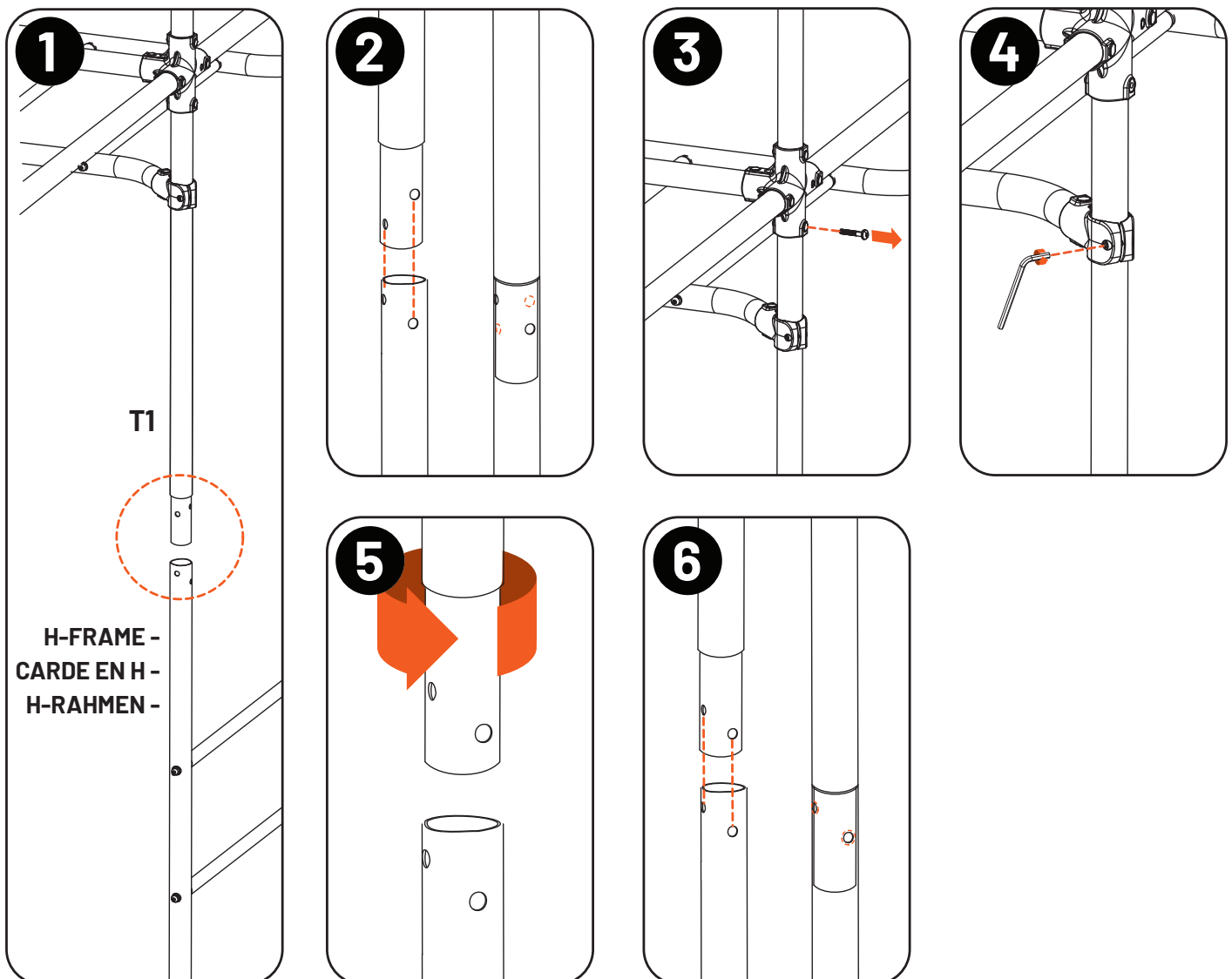
### 5.8.1. T1 to H-Frame Hole Alignment / Alignement des Trous entre le Tube T1 et le Cadre en H / T1- bis H-Rahmen-Lochsausrichtung / Uitlijning van gaten tussen T1 en H-frame

If holes between H-Frame and T1 tube do not align, remove fasteners pinning the T1 at the Joiner above, loosen the clamp from the Adjustable Joiner (AJ) on the Monkey Bar and rotate the T1 tube 90 degrees to align holes. Re-insert fasteners, re-tighten Adjustable Joiner (AJ) clamp bolt and continue assembly.

Si les trous entre le cadre H et le tube T1 ne sont pas alignés, retirez les fixations qui maintiennent le T1 au raccord supérieur, desserrez le boulon du raccord réglable (AJ) sur la barre de singe, puis faites pivoter le tube T1 de 90 degrés pour aligner les trous. Réinsérer les fixations, resserrer le boulon du raccord réglable (AJ) puis poursuivre l'assemblage.

Wenn sich die Löcher zwischen dem H-Rahmen und dem T1-Rohr nicht ausrichten, entfernen Sie die Befestigungselemente, die den T1 am oberen Verbindungsstück halten, lösen Sie die Klemme am verstellbaren Verbindungsstück (AJ) an der Kletterstange und drehen Sie das T1-Rohr um 90 Grad, um die Löcher auszurichten. Setzen Sie die Befestigungen wieder ein, ziehen Sie die Klemmschraube des verstellbaren Verbinders (AJ) erneut fest und fahren Sie mit dem Aufbau fort.

Als de gaten tussen het H-frame en de T1-buis niet op één lijn liggen, verwijder dan de bevestigingsmiddelen die de T1 bij de verbinder erboven vastzetten, maak de klem van de Verstellbare Verbinder (AJ) op het openrek los en draai de T1-buis 90 graden om de gaten uit te lijnen. Plaats de bevestigingsmiddelen opnieuw, draai de klembout van de Verstellbare Verbinder (AJ) weer aan en ga verder met de montage.





## 6.0. Product Registration

To access the Half-Price Parts for Life programme or to lodge a warranty claim, customers must ensure that their Vuly Play product is registered with Vuly Play.

Customers who purchase directly from Vuly Play (through [vulyplay.com](http://vulyplay.com), at the Vuly Play showroom or over the phone) automatically have their product registered.

Customers who purchase through an authorised reseller must register their product by visiting [VulyPlay.com/Support](http://VulyPlay.com/Support) and completing the form with a proof of purchase.

## 7.0. Half-Price Replacement Parts

Vuly Play offers half-price replacement parts to all customers for the lifetime of their purchase through the Half-Price Parts for Life programme.

This programme is subject to change at any time, and it is only available to customers who have purchased either through an authorised reseller or directly through Vuly Play.

Half-Price Parts for Life is only available to customers who wish to replace parts that are core components of their system.

- For the monkey bars, these parts include the following elements of the frame:
- Tubes
- Joiners
- Rails
- Bars

The programme does not extend to individual ropes, rings, swings, shade covers or accessories.

## 8.0. Warranty

All Vuly Play products are sold with a manufacturing warranty, which assures that the item is free of defects in workmanship and materials (“warranty”). For warranty claims, product registration, or support, please contact the Vuly Play entity in your country.

**See: [www.vulyplay.com/support](http://www.vulyplay.com/support).**

### 8.1. Warranty Periods

Warranty periods do not reset for any reason, unless the customer purchases a new product. In this case, that particular item will be covered by its own warranty period. It does not affect – nor will it increase – warranty periods for other purchased items.

Warranty periods always commence from the date of item delivery.

This warranty is for use under normal conditions, and it applies for:

### Monkey Bars

- 84 months [7 years] to the frame components.

### Accessories

- 24 months [2 years] to the shade cover.
- 12 months [1 year] to purchased accessories or attachments not received during a promotional period.
- 3 months to any items received at no cost as part of a promotion – e.g. ‘Free Shade Cover’.

The customer may extend the standard 12-month [1 year] warranty to 36 months [3 years], if they purchase an extended warranty within 7 days of their delivery date.

### 8.1.1. Second-Hand Purchases

Vuly Play warranties apply only for the original purchaser, to a product purchased from Vuly Play or an authorised reseller. On-selling a Vuly Play product voids all warranties.

### 8.2. Inclusions

This warranty covers manufacturing faults and defects only.

If a product is damaged or rendered unsafe as a result of a departure from its design specifications during production, this constitutes a manufacturing fault or defect.

This may occur if – for example – improper welding produces an unstable Frame.

### 8.3. Exclusions

#### 8.3.1. Damage through wear and tear

This warranty does not extend to normal wear and tear of the product. This may include, but is not limited to:

- Rusting or scratching of steel components.
- UV deterioration of textile components.

As outdoor products that are actively used, monkey bars and their accessories will experience wear and tear over time.

#### 8.3.2. Damage through weather conditions

Damage to the product that results from weather events – such as rain or wind – are not covered under the warranty. Vuly Play suggests that you contact your home and contents insurer if your product is damaged by such events.

#### 8.3.3. Damage through improper installation

This warranty does not extend to any failure of the product caused by installation not in accordance with the Vuly Play manual. Customers must assemble their Vuly Play product by carefully following the installation section of their Vuly Play manual.

Furthermore, the warranty does not cover installation provided by a third-party assembly service. It is the customer’s responsibility to check all boxes and confirm that all components are included in the correct condition before installing.



### **8.3.4. Damage through insufficient care or maintenance**

This warranty does not extend to accelerated decay of the product caused by poor care or maintenance. It is essential that customers regularly check and follow the advice of the Care and Maintenance section of their Vuly Play manual to ensure that their product lasts as long as possible.

### **8.3.5. Damage through inappropriate use**

This warranty will be void if the product is used for any other activity besides those for which it was intended, or used in any way that is unadvised in this manual. Vuly Play products are recreational outdoor products and accessories. They are not intended for professional use.

Any evidence that inappropriate actions have led to product failure will not be covered by the warranty. Similarly, replacement parts or repairs needed to mend such damage will not be covered under the warranty.

### **8.3.6. Damage through salt water proximity**

This warranty (on steel components specifically) will be reduced by 50% where the Vuly Play product is assembled within 1.6 km of a salt water environment or where it is subject to ocean spray.

### **8.3.7. Personal Injury**

The warranty does not cover personal injury or losses due to any of the following: wear and tear, weather conditions, inappropriate installation, insufficient care or maintenance or inappropriate use, nor does it cover damage due to negligence or accidents.

### **8.3.8. Installation**

This warranty does not cover any installation service. If a customer pays for installation of their Vuly Play product at the time of purchase, this is a one-time service only. The customer may not claim installation costs for any replacement parts.

## **8.4. Warranty Claims**

If a customer believes that a Vuly Play product is faulty or defective, they must discontinue use and submit a warranty claim.

A customer must not attempt to use a product if any part is faulty or defective, as it may be dangerous. Any damage that the user causes as a result of using faulty or defective products will lead to voiding of the warranty.

### **8.4.1. Making a Warranty Claim**

To fulfil a warranty claim, a customer must submit an online warranty claim at [VulyPlay.com/Support](http://VulyPlay.com/Support). Submitting the online warranty claim form requires the customer to provide:

- Details of their purchase – including date.
- Batch number.
- Clear photographic evidence of the manufacturing fault or defect.

If the customer does not provide all details that the form requires, their warranty claim will not be assessed.

Vuly Play may take up to 7 days to process warranty claims upon a completed submission. It may take a further 7 days for replacement parts to reach the customer.

### **8.4.2. Successful Warranty Claims**

If Vuly Play accepts a customer's warranty claim, Vuly Play will replace the faulty or defective parts, or offer refunds depending on the severity of the issue.

Successful warranty claims lodged within 60 days of the delivery date:

Vuly Play will replace the damaged parts free of charge. Vuly Play will also cover any costs associated with shipping the replacement part.

Successful warranty claims lodged after 60 days of the delivery date:

Vuly Play will replace the damaged parts free of charge. The customer must cover any costs associated with shipping the replacement part.

### **8.4.3. Walk-In Warranty Claims**

If a customer wishes to make a warranty claim while on the Vuly Play premises, they must first submit an online warranty claim at [vulyplay.com/support](http://vulyplay.com/support) – providing all required details.

### **8.4.4. Refunds**

If Vuly Play accepts a customer's warranty claim, Vuly Play will replace the faulty/defective parts or offer refunds depending on the severity of the issue.

Refunds will typically be processed within 7 days after the refund has been approved. Vuly Play provide this time frame in good faith, we shall not be held accountable should this time frame not be met.

### **8.4.5 Claiming on non-Vuly Play Products**

Products sold alongside Vuly Play that are not Vuly Play-branded are subject to the warranties provided by the companies that supply them. The customer must contact these external companies to make a warranty claim; Vuly Play itself will not assess claims made against non-Vuly Play products.

## **8.5. Country-Specific Consumer Law Notices**

In addition to the standard warranty outlined above, customers in the following countries may have additional rights under their local consumer protection laws. These rights apply only to purchases made in the respective countries.

### **8.5.1. Australia – Australian Consumer Law**

Our goods come with guarantees that cannot be excluded under the Australian Consumer Law (ACL).



You are entitled to:

- A replacement or refund for a major failure and for compensation for any other reasonably foreseeable loss or damage.
- The goods repaired or replaced if they fail to be of acceptable quality and the failure does not amount to a major failure.

These rights apply in addition to any warranty provided by Vuly Play and do not limit your statutory rights under the ACL.

### **8.5.2. United States – Federal & State Consumer Laws**

This warranty gives you specific legal rights, and you may also have other rights which vary from state to state.

Under the Magnuson-Moss Warranty Act, customers may be entitled to certain remedies if a product is found defective.

Vuly Play complies with all applicable U.S. consumer protection laws. Any claims must be made directly to Vuly Play, and liability is limited to the cost of repair, replacement, or refund at Vuly Play's discretion.

### **8.5.3. Canada – Consumer Protection Legislation**

Canadian customers are protected under both federal and provincial consumer laws.

These laws may provide:

- Protection against deceptive practices,
- Implied warranties of quality and fitness for purpose, and
- Rights to repair, replacement, or refund for defective products.

Rights vary by province. This warranty does not limit your entitlements under the applicable Consumer Protection Acts.

### **8.5.4. United Kingdom – Consumer Rights Act 2015**

Under the UK Consumer Rights Act 2015, you have the legal right to:

- A refund if a product is faulty within 30 days of purchase,
- A repair or replacement within the first 6 months if a fault develops,
- A right to a price reduction or final rejection if repair or replacement is unsuccessful.

These rights apply alongside any additional warranty provided by Vuly Play. Claims must be made to Vuly Play UK.

### **8.5.5. European Union – EU Consumer Rights**

Our goods come with consumer guarantees under European Union law that cannot be excluded.

You are entitled to:

- A repair or replacement free of charge if the goods are not in conformity with the contract, as per Directive (EU) 2019/771.
- A refund or price reduction if a repair or replacement is not possible, within a reasonable time, or causes significant inconvenience.
- These remedies are available for up to two years from the date of delivery and apply to all consumers residing in EU member states.

If you purchased this product online or from a distance, you may also have the right to withdraw from the contract within 14 days under Directive 2011/83/EU, without giving any reason. These rights apply in addition to any warranty provided by Vuly Play and do not limit your statutory rights under EU law.

## **9.0. Missing Parts**

If a customer believes that a Vuly Play product does not include all necessary parts, they must immediately lodge a missing parts claim at [vulyplay.com/support](https://vulyplay.com/support).

A customer must not attempt to use a product if any part is incomplete, as it may be dangerous. Any damage that the user causes as a result of using incomplete products will lead to voiding of the warranty.

Vuly Play products are delivered to Vuly Play warehouses pre-packaged; we are unable to check the boxes prior to delivery to ensure that they contain all the required parts. While the missing part rate during packing is very low, some parts may also fall out in transit due to small, unintentional tears in their boxes.





## 6.0. Enregistrement du Produit

Pour accéder au programme pièces à moitié prix à vie ou pour soumettre une demande de garantie, les clients doivent s'assurer que leur produit Vuly Play est bien enregistré auprès de Vuly Play.

Les clients ayant effectué leur achat directement auprès de Vuly Play (via le site [vulyplay.com](http://vulyplay.com), en showroom ou par téléphone) bénéficient d'un enregistrement automatique de leur produit.

Les clients ayant acheté auprès d'un revendeur agréé doivent enregistrer leur produit en se rendant sur [VulyPlay.com/Support](http://VulyPlay.com/Support) et en remplissant le formulaire avec une preuve d'achat.

## 7.0. Pièces de Rechange à Moitié Prix

Vuly Play offre des pièces de rechange à moitié prix à tous ses clients, pendant toute la durée de vie du produit, dans le cadre du programme Pièces à moitié prix à vie.

Ce programme peut être modifié à tout moment et n'est accessible qu'aux clients ayant acheté leur produit auprès d'un revendeur agréé ou directement auprès de Vuly Play.

Le programme ne s'applique qu'aux composants essentiels du système.

Pour les barres de singe, cela inclut les éléments suivants du cadre :

- Tubes
- Raccords
- Barres transversales
- Barres

Le programme ne couvre pas les cordes individuelles, anneaux, balançoires, voiles d'ombrage ou autres accessoires.

## 8.0. Garantie

Tous les produits Vuly Play sont vendus avec une garantie de fabrication, qui atteste que le produit est exempt de défauts de conception ou de matériaux (« garantie »). Pour toute demande de garantie, enregistrement de produit ou demande d'assistance, veuillez contacter l'entité Vuly Play de votre pays.

**Consultez: [www.vulyplay.com/support](http://www.vulyplay.com/support)**

### 8.1. Durées de garantie

Les périodes de garantie ne sont pas réinitialisées, sauf si le client achète un nouveau produit. Dans ce cas, seul ce nouvel article bénéficiera d'une nouvelle période de garantie.

Cela n'affecte pas la garantie des autres produits achetés.

La période de garantie commence toujours à la date de livraison du produit.

Cette garantie s'applique à un usage dans des conditions normales:

### Barre de Singe

- 84 mois [7 ans] sur les composants du cadre.

### Accessoires

- 24 mois [2 ans] sur la voile d'ombrage.
- 12 mois [1 an] sur les accessoires ou pièces jointes achetés hors période promotionnelle.
- 3 mois sur les articles reçus gratuitement dans le cadre d'une promotion – par ex. « Voile d'ombrage gratuite ».

Le client peut étendre la garantie de 12 mois [1 an] à 36 mois [3 ans] en achetant une extension de garantie dans les 7 jours suivant la livraison.

### 8.1.1. Achats de seconde main

Les garanties Vuly Play ne s'appliquent qu'à l'acheteur d'origine, pour un produit acheté directement chez Vuly Play ou chez un revendeur agréé.

La revente du produit annule toute garantie.

## 8.2. Inclusions

Cette garantie couvre uniquement les défauts et vices de fabrication.

Si un produit est endommagé ou devient dangereux en raison d'un écart par rapport aux spécifications de conception lors de la production, cela constitue un défaut ou vice de fabrication.

Cela peut se produire – par exemple – si une soudure défectueuse rend le cadre instable.

## 8.3. Exclusions

### 8.3.1. Détérioration due à l'usage normale

Cette garantie ne couvre pas l'usage normale du produit. Cela peut inclure, sans s'y limiter :

- La rouille ou les rayures sur les composants en acier.
- La détérioration des composants textiles due aux rayons UV.

Étant des produits conçus pour un usage extérieur et soumis à une utilisation active, les barres de singe et leurs accessoires subiront naturellement une usure avec le temps.

### 8.3.2. Dommages causés par les conditions météorologiques

Les dommages subis par le produit à la suite d'événements climatiques — tels que la pluie ou le vent — ne sont pas couverts par la garantie. Vuly Play recommande de contacter votre assureur habitation et biens si votre produit est endommagé par de tels événements.

### 8.3.3. Dommages dus à une installation incorrecte

Cette garantie ne couvre pas les défaillances du produit causées par une installation non conforme au manuel Vuly Play. Les clients doivent assembler leur produit Vuly Play en suivant rigoureusement la section d'installation du



manuel fourni.

En outre, la garantie ne couvre pas l'installation réalisée par un service d'assemblage tiers.

Il revient au client de vérifier l'intégralité du contenu des boîtes et de s'assurer que tous les composants sont inclus et en bon état avant de procéder à l'installation.

### **8.3.4. Dommages dus à un manque d'entretien ou de soin**

Cette garantie ne couvre pas la détérioration accélérée du produit résultant d'un manque d'entretien ou de soin suffisant. Il est essentiel que les clients procèdent à des vérifications régulières et suivent attentivement les recommandations de la section « Entretien et maintenance » du manuel Vuly Play, afin de garantir la plus grande longévité possible du produit.

### **8.3.5. Dommages dus à une utilisation inappropriée**

Cette garantie sera annulée si le produit est utilisé dans le cadre d'une activité autre que celles prévues à l'origine ou de manière contraire aux recommandations figurant dans le présent manuel.

Les produits Vuly Play sont conçus pour une utilisation récréative en extérieur et ne sont pas destinés à un usage professionnel.

Toute preuve indiquant qu'un usage inapproprié a causé une défaillance du produit entraînera la non-prise en charge au titre de la garantie.

De même, les pièces de rechange ou réparations nécessaires pour corriger de tels dommages ne seront pas couvertes par la garantie.

### **8.3.6. Dommages dus à la proximité de l'eau salée**

La garantie applicable aux composants en acier sera réduite de 50 % si le produit Vuly Play est assemblé à moins de 1,6 km d'un environnement d'eau salée ou s'il est exposé à des embruns marins.

### **8.3.7. Blessures corporelles**

La garantie ne couvre pas les blessures corporelles ni les pertes causées par : l'usure normale, les conditions météorologiques, une installation incorrecte, un manque d'entretien ou de soin, une utilisation inappropriée. Elle ne couvre pas non plus les dommages dus à une négligence ou à un accident.

### **8.3.8. Installation**

Cette garantie ne couvre pas les services d'installation. Si un client paie pour l'installation de son produit Vuly Play au moment de l'achat, cette prestation est considérée comme un service unique.

Le client ne pourra pas réclamer les frais d'installation d'éventuelles pièces de rechange par la suite.

## **8.4. Réclamations au titre de la garantie**

Si un client estime qu'un produit Vuly Play présente un défaut, il doit immédiatement cesser de l'utiliser et soumettre une demande de garantie.

Un client ne doit pas utiliser un produit présentant un défaut, car cela pourrait être dangereux. Tout dommage causé par l'utilisation d'un produit défectueux annulera la garantie.

### **8.4.1. Soumettre une réclamation**

Pour faire valoir une garantie, le client doit soumettre une demande en ligne via [VulyPlay.com/Support](https://vulyplay.com/Support). Le formulaire en ligne exige que le client fournisse les éléments suivants :

- les détails de l'achat — y compris la date.
- le numéro de lot.
- des photos nettes et précises illustrant le défaut ou le vice de fabrication.

Si le client ne fournit pas toutes les informations requises, la demande ne sera pas examinée.

Vuly Play peut prendre jusqu'à 7 jours ouvrables pour traiter une demande complète. Il peut s'écouler jusqu'à 7 jours supplémentaires pour l'expédition des pièces de rechange.

### **8.4.2. Réclamations de garantie acceptées**

Si Vuly Play accepte la demande de garantie d'un client, les pièces défectueuses seront remplacées ou un remboursement pourra être proposé, selon la gravité du défaut constaté.

Réclamations acceptées dans les 60 jours suivant la date de livraison : Vuly Play remplacera gratuitement les pièces endommagées et prendra en charge les frais de livraison. Réclamations acceptées après 60 jours suivant la date de livraison :

Vuly Play remplacera gratuitement les pièces endommagées. Toutefois, le client devra assumer les frais d'expédition des pièces.

### **8.4.3. Réclamations sur place**

Si un client souhaite faire valoir une demande de garantie directement sur place dans les locaux de Vuly Play, il doit tout d'abord soumettre une réclamation en ligne via [vulyplay.com/support](https://vulyplay.com/support), en fournissant toutes les informations requises.

### **8.4.4. Remboursements**

Si Vuly Play approuve une demande de garantie, elle remplacera les pièces défectueuses ou proposera un remboursement en fonction de la gravité du problème.

Les remboursements sont généralement traités dans les 7 jours suivant l'approbation.

Vuly Play fournit ce délai à titre indicatif, en toute bonne foi, et ne saurait être tenu responsable en cas de dépassement de ce délai.

### **8.4.5 Réclamations concernant des produits non Vuly Play**

Les produits vendus avec les articles Vuly Play, mais ne portant pas la marque Vuly, relèvent des garanties fournies par les fabricants respectifs.

Le client devra directement contacter ces entreprises pour toute demande de garantie.



Vuly Play ne traitera pas les demandes portant sur des produits qui ne sont pas de marque Vuly Play.

## 8.5. Législation nationale sur la protection des consommateurs

Outre la garantie standard décrite ci-dessus, les clients des pays suivants peuvent bénéficier de droits supplémentaires en vertu des lois locales de protection des consommateurs. Ces droits s'appliquent uniquement aux achats effectués dans les pays concernés.

### 8.5.1. Australie – Loi australienne sur la consommation (ACL)

Nos produits bénéficient de garanties légales qui ne peuvent être exclues en vertu de l'ACL.

Vous avez droit à :

- un remplacement ou un remboursement en cas de défaillance majeure, ainsi qu'à une indemnisation pour toute autre perte ou tout autre dommage raisonnablement prévisible.
- une réparation ou un remplacement si le produit ne répond pas aux critères de qualité attendus et que la défaillance ne constitue pas un défaut majeur.

Ces droits s'ajoutent à toute garantie offerte par Vuly Play et ne limitent en rien vos droits légaux en vertu de l'ACL.

### 8.5.2. États-Unis – Lois fédérales et étatiques

Cette garantie vous accorde certains droits légaux, qui peuvent varier d'un État à l'autre.

En vertu de la Magnuson-Moss Warranty Act, les clients peuvent bénéficier de recours spécifiques si un produit est jugé défectueux.

Vuly Play respecte toutes les lois fédérales et étatiques en vigueur en matière de protection des consommateurs. Toute réclamation doit être adressée directement à Vuly Play. La responsabilité de Vuly est limitée à la réparation, au remplacement ou au remboursement, à sa seule discrétion.

### 8.5.3. Canada – Législation sur la protection des consommateurs

Les clients canadiens sont protégés par des lois fédérales et provinciales sur la protection des consommateurs.

Ces lois peuvent inclure :

- une protection contre les pratiques commerciales trompeuses,
- des garanties implicites de qualité et de conformité à l'usage prévu
- des droits à la réparation, au remplacement ou au remboursement en cas de défaut.

Les droits peuvent varier selon la province. Cette garantie ne limite pas les droits dont vous bénéficiez en vertu des lois sur la protection des consommateurs applicables.

### 8.5.4. Royaume-Uni – Consumer Rights Act 2015

Conformément à la loi britannique Consumer Rights Act 2015, vous disposez des droits légaux suivant :

- obtenir un remboursement si un produit est défectueux dans les 30 jours suivant l'achat,
- obtenir une réparation ou un remplacement dans les 6 premiers mois si un défaut survient,
- bénéficier d'une réduction de prix ou d'un refus définitif si la réparation ou le remplacement est infructueux.

Ces droits s'ajoutent à toute garantie offerte par Vuly Play. Les réclamations doivent être adressées à Vuly Play UK.

### 8.5.5. Union européenne – Droits des consommateurs de l'UE

Nos produits sont assortis de garanties légales en vertu du droit de l'Union européenne, qui ne peuvent être exclues.

Vous avez droit à :

- Une réparation ou un remplacement gratuits si les biens ne sont pas conformes au contrat, conformément à la directive (UE) 2019/771.
- Un remboursement ou une réduction de prix si une réparation ou un remplacement n'est pas effectué dans un délai raisonnable ou entraîne un inconvénient important.
- Ces recours sont valables pendant une période allant jusqu'à deux ans à compter de la date de livraison et s'appliquent à tous les consommateurs résidant dans les États membres de l'UE.

Si vous avez acheté ce produit en ligne ou à distance, vous pouvez également exercer votre droit de rétractation dans un délai de 14 jours, conformément à la directive 2011/83/UE, sans avoir à en justifier la raison. Ces droits s'appliquent en plus de toute garantie fournie par Vuly Play et ne limitent en rien vos droits légaux en vertu du droit de l'Union européenne.

## 9.0. Pièces Manquantes

Si un client estime qu'un produit Vuly Play est incomplet, il doit immédiatement soumettre une demande de pièces manquantes via [vulyplay.com/support](https://vulyplay.com/support).

Un client ne doit pas utiliser un produit si des pièces manquent, car cela pourrait s'avérer dangereux.

Tout dommage résultant de l'utilisation d'un produit incomplet entraînera l'annulation de la garantie. Les produits Vuly Play sont préemballés avant d'être livrés dans les entrepôts Vuly. Il ne nous est pas possible de vérifier le contenu des boîtes avant expédition.

Bien que le taux de pièces manquantes soit extrêmement faible, certaines peuvent se détacher pendant le transport à la suite de déchirures accidentelles dans l'emballage.

Consultez [vulyplay.com/terms](https://vulyplay.com/terms) pour connaître les dernières politiques, conditions générales et garanties de Vuly Play.





## 6.0. Produktregistrierung

Um Zugang zum „Halber-Preis-Ersatzteile-fürs-Leben“-Programm zu erhalten oder einen Garantieanspruch geltend zu machen, müssen Kunden sicherstellen, dass ihr Vuly Play-Produkt bei Vuly Play registriert ist.

Kunden, die direkt bei Vuly Play kaufen (über [vulyplay.com](http://vulyplay.com), im Vuly-Showroom oder telefonisch), haben ihr Produkt automatisch registriert.

Kunden, die bei einem autorisierten Händler kaufen, müssen ihr Produkt registrieren, indem sie [vulyplay.com/support](http://vulyplay.com/support) besuchen und das Formular mit einem Kaufnachweis ausfüllen.

## 7.0. Ersatzteile zum halben Preis

Vuly Play bietet allen Kunden im Rahmen des Programms „Ersatzteile zum halben Preis – ein Leben lang“ vergünstigte Ersatzteile für die gesamte Lebensdauer ihres Kaufs an.

Dieses Programm kann jederzeit geändert werden und steht nur Kunden zur Verfügung, die entweder über einen autorisierten Händler oder direkt bei Vuly Play gekauft haben.

Das Programm gilt nur für Teile, die wesentliche Bestandteile des Systems sind.

Bei den Klettergerüsten (Monkey Bars) umfasst dies folgende Rahmenelemente:

- Rohre
- Verbindungen
- Querschienen
- Stangen

Das Programm gilt nicht für einzelne Seile, Ringe, Schaukeln, Sonnenschutzabdeckungen oder Zubehörteile.

## 8.0. Garantie

Alle Vuly Play-Produkte werden mit einer Herstellergarantie verkauft, die bestätigt, dass das Produkt frei von Material- und Verarbeitungsfehlern ist („Garantie“).

Für Garantieansprüche, Produktregistrierung oder Support wenden Sie sich bitte an die Vuly Play-Niederlassung in Ihrem Land.

**Siehe: [www.vulyplay.com/support](http://www.vulyplay.com/support)**

### 8.1. Garantiefristen

Garantiefristen beginnen immer mit dem Lieferdatum des Produkts und werden unter keinen Umständen zurückgesetzt – es sei denn, der Kunde erwirbt ein neues Produkt. In diesem Fall gilt die neue Garantiefrist ausschließlich für diesen Artikel.

Die Garantie hat keinen Einfluss auf—und verlängert nicht— die Garantiefristen anderer gekaufter Produkte.

Diese Garantie gilt bei sachgemäßer Nutzung unter normalen Bedingungen und umfasst Folgendes:

### Klettergerüste (Monkey Bars)

- 84 Monate [7 Jahre] auf Rahmenteile.

### Zubehör

- 24 Monate [2 Jahre] auf die Sonnenschutzabdeckung
- 12 Monate [1 Jahr] auf separat gekaufte Zubehörteile oder Anbauten außerhalb einer Aktion.
- 3 Monate auf alle Artikel, die im Rahmen einer Werbeaktion kostenlos mitgeliefert wurden – z. B. „Gratis-Sonnenschutz“.

Die standardmäßige Garantie von 12 Monaten [1 Jahr] kann auf 36 Monate [3 Jahre] verlängert werden, wenn der Kunde innerhalb von 7 Tagen nach dem Lieferdatum eine Garantieverlängerung erwirbt.

### 8.1.1. Käufe aus zweiter Hand

Die Garantie gilt ausschließlich für den ursprünglichen Käufer eines Produkts, das direkt bei Vuly Play oder über einen autorisierten Händler erworben wurde. Bei Weiterverkauf des Produkts erlischt jeglicher Garantieanspruch.

## 8.2. Eingeschlossene Leistungen

Diese Garantie deckt ausschließlich Material- oder Produktionsfehler ab.

Wird ein Produkt durch Abweichungen von den Konstruktionspezifikationen während der Herstellung beschädigt oder unsicher, gilt dies als Herstellungsfehler.

Beispiel: Eine fehlerhafte Schweißnaht, die einen instabilen Rahmen verursacht.

## 8.3. Ausnahmen

### 8.3.1. Schäden durch Abnutzung

Diese Garantie deckt keine normalen Gebrauchsspuren ab, wie z. B.

- Rost oder Kratzer an Stahlteilen.
- UV-bedingten Verschleiß von Textilkomponenten.

Da es sich um Outdoor-Produkte handelt, die aktiv genutzt werden, unterliegen Klettergerüste und Zubehörteilen natürlichem Verschleiß.

### 8.3.2. Schäden durch Witterungseinflüsse

Wetterbedingte Schäden – etwa durch Regen oder Wind – sind von der Garantie ausgeschlossen. Vuly Play empfiehlt, sich in solchen Fällen an die eigene Hausratversicherung zu wenden.

### 8.3.3. Schäden durch unsachgemäße Montage

Die Garantie gilt nicht für Schäden, die auf eine fehlerhafte Montage entgegen der Anleitung im Vuly Play-Handbuch zurückzuführen sind.

Kunden müssen das Produkt gemäß der offiziellen Montageanleitung sorgfältig aufbauen. Auch von Dritten durchgeführte Montagen sind nicht abgedeckt.

Es liegt in der Verantwortung des Kunden, alle Kartons zu prüfen und sicherzustellen, dass alle Teile vollständig und



unversehrt sind, bevor mit der Montage begonnen wird.

### **8.3.4. Schäden durch mangelnde Pflege oder Wartung**

Die Garantie deckt keinen vorzeitigen Verschleiß ab, der auf fehlende Wartung oder Pflege zurückzuführen ist. Kunden sind verpflichtet, ihr Produkt regelmäßig zu überprüfen und die Hinweise im Abschnitt „Pflege und Wartung“ des Vuly Play-Handbuchs zu befolgen.

### **8.3.5. Schäden durch unsachgemäße Nutzung**

Die Garantie erlischt, wenn das Produkt zweckentfremdet oder entgegen der Empfehlungen in diesem Handbuch verwendet wird. Vuly Play-Produkte sind ausschließlich für die private Nutzung im Außenbereich vorgesehen und nicht für den professionellen Einsatz bestimmt.

Wird eine Fehlanwendung als Ursache für einen Defekt nachgewiesen, sind weder Garantieansprüche noch Ersatzleistungen gedeckt.

### **8.3.6. Schäden durch Meeresnähe**

Die Garantie auf Stahlkomponenten wird um 50 % reduziert, wenn sich das Produkt in einem Umkreis von 1,6 km zur Küste befindet oder Meeressgicht ausgesetzt ist.

### **8.3.7. Körperverletzung**

Die Garantie schließt jegliche Haftung für Personenschäden oder Verluste aus, die durch Abnutzung, Witterung, fehlerhafte Installation, unzureichende Wartung oder unsachgemäßen Gebrauch verursacht wurden. Ebenso ausgeschlossen sind Schäden infolge von Fahrlässigkeit oder Unfällen.

### **8.3.8. Installation**

Die Garantie umfasst keine Montageleistungen. Wird eine Montage mitbestellt, handelt es sich um eine einmalige Serviceleistung. Kosten für den Austausch oder die Installation von Ersatzteilen sind nicht erstattungsfähig.

## **8.4. Garantieansprüche**

Wenn ein Kunde vermutet, dass ein Produkt fehlerhaft ist, muss die Nutzung umgehend eingestellt und ein Garantieantrag gestellt werden. Ein defektes Produkt darf nicht weiterverwendet werden, da dies ein Sicherheitsrisiko darstellt.

Schäden, die durch die fortgesetzte Nutzung eines fehlerhaften Produkts entstehen, führen zum Verlust des Garantieanspruchs.

### **8.4.1. Einreichen eines Garantieanspruchs**

Um einen Garantieanspruch geltend zu machen, muss der Kunde ein Onlineformular auf [VulyPlay.com/Support](https://vulyplay.com/support) ausfüllen. Das Onlineformular erfordert folgende Angaben des Kunden:

- Kaufdetails – einschließlich Kaufdatum
- Chargennummer.
- Deutliche Fotobeweise des Mangels oder Produktionsfehlers.

Wenn der Kunde nicht alle erforderlichen Informationen

bereitstellt, kann der Antrag nicht bearbeitet werden.

Vuly Play kann bis zu 7 Tage benötigen, um eine vollständige Garantieanfrage zu prüfen. Danach kann es bis zu 7 weitere Tage dauern, bis die Ersatzteile beim Kunden eintreffen.

### **8.4.2. Erfolgreiche Garantieansprüche**

Wenn Vuly Play den Garantieanspruch eines Kunden akzeptiert, ersetzt Vuly Play die defekten Teile oder bietet – abhängig vom Ausmaß des Mangels – eine Rückerstattung an.

Erfolgreiche Garantieansprüche innerhalb von 60 Tagen nach Lieferung:

- Vuly Play stellt die beschädigten Teile kostenlos zur Verfügung.
- Vuly Play übernimmt auch die Versandkosten für die Ersatzteile.

Erfolgreiche Garantieansprüche nach 60 Tagen nach Lieferung:

- Vuly Play stellt die beschädigten Teile weiterhin kostenlos zur Verfügung.
- Die Versandkosten für die Ersatzteile trägt jedoch der Kunde

### **8.4.3. Garantieansprüche vor Ort**

Wenn ein Kunde einen Garantieanspruch direkt vor Ort bei Vuly Play geltend machen möchte, muss zuvor ein Online-Garantieantrag über [vulyplay.com/support](https://vulyplay.com/support) eingereicht werden – inklusive aller erforderlichen Angaben.

### **8.4.4. Rückerstattungen**

Wenn Vuly Play einen Garantieanspruch akzeptiert, ersetzt Vuly Play die defekten Teile oder bietet je nach Schwere des Mangels eine Rückerstattung an.

Rückerstattungen werden in der Regel innerhalb von 7 Tagen nach Genehmigung bearbeitet.

Vuly Play nennt diesen Zeitrahmen nach bestem Wissen, übernimmt jedoch keine Haftung, falls er nicht eingehalten werden kann.

### **8.4.5 Ansprüche auf Produkte, die nicht von Vuly Play stammen**

Für Produkte, die zusammen mit Vuly-Play-Produkten verkauft werden, aber nicht von Vuly Play selbst stammen, gelten die Garantien der jeweiligen Hersteller.

Der Kunde muss sich in diesen Fällen direkt an das jeweilige Drittunternehmen wenden, um einen Garantieanspruch geltend zu machen.

Vuly Play prüft keine Garantieansprüche für Produkte, die nicht von Vuly Play hergestellt wurden.

## **8.5. Länderspezifisches Verbraucherschutzrecht**

Zusätzlich zur oben beschriebenen Standardgarantie können Kunden in den folgenden Ländern weitere Rechte gemäß ihren lokalen Verbraucherschutzgesetzen haben.



Diese Rechte gelten ausschließlich für Käufe, die in diesen Ländern getätigt wurden.

### **8.5.1. Australien – Australisches Verbraucherschutzgesetz (ACL)**

Unsere Produkte unterliegen Garantien, die gemäß dem australischen Verbraucherschutzgesetz (Australian Consumer Law – ACL) nicht ausgeschlossen werden können.

Kunden haben Anspruch auf:

- Ersatz oder Rückerstattung bei einem schwerwiegenden Defekt sowie auf Entschädigung für andere vernünftigerweise vorhersehbare Verluste oder Schäden.
- Reparatur oder Ersatz, wenn das Produkt nicht von akzeptabler Qualität ist und der Defekt nicht als schwerwiegend gilt.

Diese Rechte bestehen zusätzlich zu jeder von Vuly Play gewährten Garantie und schränken die gesetzlichen Ansprüche gemäß der ACL in keiner Weise ein.

### **8.5.2. Vereinigte Staaten – Bundes- und einzelstaatliches Verbraucherschutzrecht**

Diese Garantie gewährt bestimmte gesetzliche Rechte; je nach Bundesstaat können darüber hinaus weitere Rechte bestehen.

Nach dem Magnuson-Moss Warranty Act können Kunden unter bestimmten Voraussetzungen rechtliche Schritte einleiten, wenn ein Produkt als mangelhaft gilt.

Vuly Play erfüllt sämtliche anwendbaren US-Verbraucherschutzgesetze.

Reklamationen müssen direkt an Vuly Play gerichtet werden. Die Haftung ist auf Reparatur, Ersatz oder Rückerstattung beschränkt – nach Ermessen von Vuly Play.

### **8.5.3. Kanada – Verbraucherschutzgesetz**

Kanadische Kunden sind durch Bundes- und Provinzgesetze zum Verbraucherschutz abgesichert.

Diese Gesetze beinhalten unter anderem:

- Schutz vor irreführenden Geschäftspraktiken,
- Implizite Garantien für Qualität und Eignung
- Rechte auf Reparatur, Ersatz oder Rückerstattung bei mangelhaften Produkten.

Die genauen Rechte können je nach Provinz unterschiedlich ausfallen. Diese Garantie schränkt keine gesetzlichen Ansprüche gemäß den geltenden Verbraucherschutzgesetzen ein.

### **8.5.4. Vereinigtes Königreich – Consumer Rights Act 2015**

Gemäß dem britischen Consumer Rights Act 2015 haben Kunden folgende gesetzliche Rechte:

- Anspruch auf Rückerstattung, wenn ein Produkt innerhalb von 30 Tagen nach dem Kauf mangelhaft ist,
- Anspruch auf Reparatur oder Ersatz innerhalb der ersten 6 Monate, wenn ein Defekt auftritt,

- Anspruch auf Preisnachlass oder Rückgabe, falls Reparatur oder Ersatz nicht erfolgreich sind.

Diese Rechte gelten zusätzlich zu den von Vuly Play gewährten Garantien. Reklamationen sind direkt an Vuly Play UK zu richten.

### **8.5.5. Europäische Union – EU-Verbraucherrechte**

Unsere Waren unterliegen den gesetzlichen Verbraucherschutzgarantien nach dem Recht der Europäischen Union, die nicht ausgeschlossen werden können.

Sie haben Anspruch auf:

- Kostenlose Reparatur oder kostenlosen Ersatz, wenn die Ware nicht vertragsgemäß ist, gemäß Richtlinie (EU) 2019/771.
- Rückerstattung oder Preisminderung, wenn eine Reparatur oder ein Ersatz nicht möglich ist, nicht innerhalb der angemessenen Frist erfolgt oder erhebliche Unannehmlichkeiten verursacht.
- Diese Rechtsmittel stehen Ihnen bis zu zwei Jahre ab dem Lieferdatum zur Verfügung und gelten für alle Verbraucher mit Wohnsitz in EU-Mitgliedstaaten.

Wenn Sie dieses Produkt online oder im Fernabsatz gekauft haben, haben Sie außerdem das Recht, gemäß Richtlinie 2011/83/EU innerhalb von 14 Tagen ohne Angabe von Gründen vom Vertrag zurückzutreten.

Diese Rechte gelten zusätzlich zu etwaigen von Vuly Play gewährten Garantien und schränken Ihre gesetzlichen Rechte nach EU-Recht nicht ein.

## **9.0. Fehlende Teile**

Wenn ein Kunde der Meinung ist, dass ein Vuly-Play-Produkt nicht alle erforderlichen Teile enthält, muss unverzüglich eine Meldung über fehlende Teile unter [vulyplay.com/support](https://www.vulyplay.com/support) eingereicht werden.

Ein Produkt darf nicht verwendet werden, wenn es unvollständig ist, da dies gefährlich sein kann. Schäden, die durch die Nutzung unvollständiger Produkte entstehen, führen zum Erlöschen der Garantie.

Vuly-Play-Produkte werden vor der Auslieferung in den Lagern von Vuly Play vorkonfektioniert verpackt; es ist daher nicht möglich, die Kartons vor dem Versand zu überprüfen.

Obwohl die Wahrscheinlichkeit fehlender Teile sehr gering ist, kann es während des Transports vorkommen, dass durch kleine Risse in der Verpackung Teile verloren gehen.





## 6.0. Productregistratie

Om toegang te krijgen tot het Half-Price Parts for Life-programma of om een garantieclaim in te dienen, moeten klanten ervoor zorgen dat hun Vuly Play-product bij Vuly Play is geregistreerd. Klanten die rechtstreeks bij Vuly Play kopen (via [vulyplay.com](http://vulyplay.com), in de Vuly Play-showroom of telefonisch) hebben hun product automatisch geregistreerd. Klanten die kopen via een erkende wederverkoper moeten hun product registreren door naar [VulyPlay.com/Support](http://VulyPlay.com/Support) te gaan en het formulier in te vullen met een aankoopbewijs.

## 7.0. Half-Price vervangingsonderdelen

Vuly Play biedt alle klanten half geprijsde vervangingsonderdelen aan, gedurende de levensduur van hun aankoop, via het Half-Price Parts for Life-programma.

Dit programma kan op elk moment worden gewijzigd en is alleen beschikbaar voor klanten die het product hebben gekocht via een erkende wederverkoper of rechtstreeks bij Vuly Play.

Half-Price Parts for Life is alleen beschikbaar voor klanten die onderdelen willen vervangen die kerncomponenten van hun systeem zijn.

Voor het apenrek omvatten deze onderdelen de volgende elementen van het frame:

- Buizen
- Verbinders
- Rails
- Stangen

Het programma geldt niet voor afzonderlijke touwen, ringen, schommels, schaduwdoeken of accessoires.

## 8.0. Garantie

Alle Vuly Play-producten worden verkocht met een fabrieksgarantie, die verzekert dat het product vrij is van fabricage- en materiaalfouten ("garantie"). Voor garantieclaims, productregistratie of ondersteuning kun je contact opnemen met de Vuly Play-entiteit in je land. Zie: [www.vulyplay.com/support](http://www.vulyplay.com/support)

### 8.1. Garantieperiodes

Garantieperiodes worden om geen enkele reden opnieuw ingesteld, tenzij de klant een nieuw product aanschafft. In dat geval valt dat specifieke artikel onder zijn eigen garantieperiode. Dit heeft geen invloed op – en verlengt ook niet – de garantieperiodes van andere aangekochte artikelen.

Garantieperiodes beginnen altijd vanaf de leveringsdatum van het artikel.

Deze garantie geldt bij gebruik onder normale omstandigheden en is van toepassing op:

### Apenrek

- 84 maanden [7 jaar] op de frameonderdelen.

### Accessoires

- 24 maanden [2 jaar] op de schaduwdoek.
- 12 maanden [1 jaar] op aangekochte accessoires of bevestigingen die niet tijdens een promotieperiode zijn ontvangen.
- 3 maanden op alle artikelen die gratis zijn ontvangen als onderdeel van een promotie – bijv. 'Gratis schaduwdoek'.

De klant kan de standaardgarantie van 12 maanden [1 jaar] verlengen tot 36 maanden [3 jaar], indien hij binnen 7 dagen na de leveringsdatum een verlengde garantie aanschafft.

### 8.1.1. Tweedehands aankopen

Vuly Play-garanties gelden alleen voor de oorspronkelijke koper, voor een product dat is gekocht bij Vuly Play of een erkende wederverkoper. Doorverkoop van een Vuly Play-product maakt alle garanties ongeldig.

## 8.2. Inbegrepen

Deze garantie dekt uitsluitend fabricagefouten en -gebreken. Als een product beschadigd raakt of onveilig wordt als gevolg van een afwijking van de ontwerp-specificaties tijdens de productie, vormt dit een fabricagefout of -gebrek. Dit kan zich bijvoorbeeld voordoen wanneer onjuist lassen een instabiel frame veroorzaakt.

## 8.3. Uitsluitingen

### 8.3.1. Schade door slijtage

Deze garantie geldt niet voor normale slijtage van het product. Dit kan onder meer omvatten:

- Roest of krassen op stalen onderdelen.
- UV-verwering van textielonderdelen.

Omdat het gaat om buitenproducten die actief worden gebruikt, zullen apenrekken en hun accessoires in de loop der tijd slijtage vertonen.

### 8.3.2. Schade door weersomstandigheden

Schade aan het product die het gevolg is van weersomstandigheden – zoals regen of wind – valt niet onder de garantie. Vuly Play raadt aan om contact op te nemen met je opstal- of inboedelverzekeraar als je product door dergelijke omstandigheden wordt beschadigd.

### 8.3.3. Schade door onjuiste installatie

Deze garantie geldt niet voor enig defect van het product dat is veroorzaakt door installatie die niet in overeenstemming is met de Vuly Play-handleiding. Klanten moeten hun Vuly Play-product monteren door de installatiesectie van hun Vuly Play-handleiding zorgvuldig te volgen.



Bovendien dekt de garantie geen installatie die is uitgevoerd door een externe montageservice. Het is de verantwoordelijkheid van de klant om alle dozen te controleren en te bevestigen dat alle onderdelen aanwezig zijn en in correcte staat vóór de installatie.

### **8.3.4. Schade door onvoldoende zorg of onderhoud**

Deze garantie geldt niet voor versnelde achteruitgang van het product veroorzaakt door gebrekkige zorg of onderhoud. Het is essentieel dat klanten regelmatig controleren en het advies in de sectie Verzorging en onderhoud van hun Vuly Play-handleiding opvolgen om ervoor te zorgen dat hun product zo lang mogelijk meegaat.

### **8.3.5. Schade door onoordeelkundig gebruik**

Deze garantie vervalt als het product wordt gebruikt voor enige andere activiteit dan waarvoor het bedoeld is, of op een manier die in deze handleiding wordt afgeraden. Vuly Play-producten zijn recreatieve buitenproducten en accessoires. Ze zijn niet bedoeld voor professioneel gebruik.

Elk bewijs dat onoordeelkundige handelingen tot een defect aan het product hebben geleid, valt niet onder de garantie. Evenzo vallen vervangingsonderdelen of reparaties die nodig zijn om dergelijke schade te herstellen, niet onder de garantie.

### **8.3.6. Schade door nabijheid van zout water**

Deze garantie (specifiek op stalen onderdelen) wordt met 50% verminderd wanneer het Vuly Play-product wordt gemonteerd binnen 1,6 km van een zoutwateromgeving of wanneer het wordt blootgesteld aan zeewaterlevel.

### **8.3.7. Persoonlijk letsel**

De garantie dekt geen persoonlijk letsel of schade door een van de volgende oorzaken: slijtage, weersomstandigheden, onjuiste installatie, onvoldoende zorg of onderhoud, of onoordeelkundig gebruik. Evenmin dekt de garantie schade door nalatigheid of ongevallen.

### **8.3.8. Installatie**

Deze garantie dekt geen enkele installatieservice. Als een klant bij de aankoop betaalt voor installatie van zijn Vuly Play-product, betreft dit een eenmalige service. De klant kan geen installatiekosten claimen voor vervangende onderdelen.

## **8.4. Garantieclaims**

Als een klant van mening is dat een Vuly Play-product defect of gebrekkig is, moet hij het gebruik onmiddellijk staken en een garantieclaim indienen.

Een klant mag een product niet proberen te gebruiken als een onderdeel defect of gebrekkig is, omdat dit gevaarlijk kan zijn. Schade die de gebruiker veroorzaakt door het gebruiken van defecte of gebrekkige producten, leidt tot het vervallen van de garantie.

### **8.4.1. Indienen van een garantieclaim**

Om een garantieclaim in te dienen, moet een klant online

een garantieaanvraag indienen via [VulyPlay.com/Support](https://vulyplay.com/Support). Het indienen van het online garantieformulier vereist dat de klant de volgende gegevens verstrekt:

- Gegevens van de aankoop – inclusief datum.
- Batchnummer.
- Duidelijk fotografisch bewijs van de fabricagefout of het gebrek.

Als de klant niet alle gegevens verstrekt die het formulier vereist, wordt de garantieclaim niet in behandeling genomen.

Vuly Play kan tot 7 dagen nodig hebben om garantieclaims te verwerken na een volledige indiening. Het kan nog eens 7 dagen duren voordat vervangende onderdelen de klant bereiken.

### **8.4.2. Succesvolle garantieclaims**

Als Vuly Play de garantieclaim van een klant accepteert, zal Vuly Play de defecte of gebrekkige onderdelen vervangen, of afhankelijk van de ernst van het probleem een terugbetaling aanbieden.

Succesvolle garantieclaims ingediend binnen 60 dagen na de leveringsdatum:

Vuly Play zal de beschadigde onderdelen kosteloos vervangen. Vuly Play zal ook alle kosten dekken die verband houden met het verzenden van het vervangende onderdeel.

Succesvolle garantieclaims ingediend na 60 dagen na de leveringsdatum:

Vuly Play zal de beschadigde onderdelen kosteloos vervangen. De klant moet alle kosten dekken die verband houden met het verzenden van het vervangende onderdeel.

### **8.4.3. Persoonlijk indienen van garantieclaims**

Als een klant een garantieclaim wil indienen terwijl hij zich op het terrein van Vuly Play bevindt, moet hij eerst online een garantieclaim indienen via [vulyplay.com/support](https://vulyplay.com/support) – waarbij alle vereiste gegevens moeten worden verstrekt.

### **8.4.4. Terugbetalingen**

Als Vuly Play de garantieclaim van een klant accepteert, zal Vuly Play de defecte/gebrekkige onderdelen vervangen of terugbetalingen aanbieden afhankelijk van de ernst van het probleem.

Terugbetalingen zullen doorgaans binnen 7 dagen worden verwerkt nadat de terugbetaling is goedgekeurd. Vuly Play geeft dit tijdsbestek te goeder trouw, wij zullen niet verantwoordelijk worden gehouden indien dit tijdsbestek niet wordt gehaald.

### **8.4.5 Garantieclaims op niet-Vuly Play-producten**

Producten die, of aanzienlijke overlast veroorzaakt, samen met Vuly Play worden verkocht maar die geen Vuly Play-merk dragen, vallen onder de garanties die worden verstrekt door de bedrijven die ze leveren. De klant moet contact opnemen met deze externe bedrijven om een garantieclaim in te dienen; Vuly Play zelf zal



geen claims beoordelen die zijn ingediend voor niet-Vuly Play producten.

## 8.5. Land-specifieke kennisgevingen inzake consumentenrecht

Naast de standaardgarantie zoals hierboven beschreven, kunnen klanten in de volgende landen aanvullende rechten hebben onder hun lokale consumentenbeschermingswetten.

Deze rechten zijn alleen van toepassing op aankopen die in de respectieve landen zijn gedaan.

### 8.5.1. Australië – Australische Consumentenwet

Onze goederen worden geleverd met garanties die niet kunnen worden uitgesloten onder de Australische Consumentenwet (ACL).

Je hebt recht op:

- Een vervanging of terugbetaling bij een ernstig defect en op compensatie voor enig ander redelijkerwijs voorzienbaar verlies of schade.
- Reparatie of vervanging van de goederen indien zij niet van aanvaardbare kwaliteit blijken te zijn en het gebrek niet neerkomt op een ernstig defect.

Deze rechten gelden naast enige garantie die door Vuly Play wordt verstrekt en beperken je wettelijke rechten onder de ACL niet.

### 8.5.2. Verenigde Staten – Federale & Staatsspecifieke Consumentenwetten

Deze garantie geeft je specifieke wettelijke rechten, en je kunt ook andere rechten hebben die per staat verschillen.

Onder de Magnuson-Moss Warranty Act kunnen klanten recht hebben op bepaalde rechtsmiddelen indien een product defect blijkt te zijn.

Vuly Play voldoet aan alle toepasselijke Amerikaanse consumentenbeschermingswetten. Alle claims moeten rechtstreeks bij Vuly Play worden ingediend, en de aansprakelijkheid is beperkt tot de kosten van reparatie, vervanging of terugbetaling naar goedgevonden van Vuly Play.

### 8.5.3. Canada – Consumentenbeschermingswetgeving

Canadese klanten worden beschermd door zowel federale als provinciale consumentenwetten.

Deze wetten kunnen voorzien in:

- Bescherming tegen misleidende handelspraktijken,
- Stilzwijgende garanties van kwaliteit en geschiktheid voor het doel, en
- Rechten op reparatie, vervanging of terugbetaling voor defecte producten.

Rechten verschillen per provincie. Deze garantie beperkt je aanspraken onder de toepasselijke Consumentenbeschermingswetten niet.

### 8.5.4. Verenigd Koninkrijk – Consumer Rights Act 2015

Onder de Britse Consumer Rights Act 2015 heb je wettelijk recht op:

- Een terugbetaling als een product binnen 30 dagen na aankoop defect blijkt te zijn,
- Reparatie of vervanging binnen de eerste 6 maanden als er een defect optreedt,
- Recht op een prijsverlaging of definitieve afwijzing als reparatie of vervanging niet succesvol is.

Deze rechten gelden naast elke aanvullende garantie die door Vuly Play wordt verstrekt. Claims moeten worden ingediend bij Vuly Play UK.

### 8.5.5. Europese Unie – EU-consumentenrechten

Onze goederen worden geleverd met consumentenrechten onder de Europese wetgeving die niet kunnen worden uitgesloten.

Je hebt recht op:

- Kosteloze reparatie of vervanging als de goederen niet conform de overeenkomst zijn, zoals bepaald in Richtlijn (EU) 2019/771
- Een terugbetaling of prijsverlaging als reparatie of vervanging niet mogelijk is, niet binnen een redelijke termijn plaatsvindt, of aanzienlijk ongemak veroorzaakt.
- Deze rechtsmiddelen zijn beschikbaar tot twee jaar vanaf de leveringsdatum en zijn van toepassing op alle consumenten die in EU-lidstaten wonen.

Als je dit product online of op afstand hebt gekocht, kun je ook het recht hebben om binnen 14 dagen zonder opgave van redenen de overeenkomst te herroepen onder Richtlijn 2011/83/EU. Deze rechten gelden naast elke garantie die door Vuly Play wordt verstrekt en beperken je wettelijke rechten onder de EU-wetgeving niet.

## 9.0. Ontbrekende onderdelen

Als een klant van mening is dat een Vuly Play-product niet alle noodzakelijke onderdelen bevat, moet hij onmiddellijk een claim voor ontbrekende onderdelen indienen via [vulyplay.com/support](http://vulyplay.com/support).

Een klant mag een product niet proberen te gebruiken als enig onderdeel onvolledig is, omdat dit gevaarlijk kan zijn. Schade die de gebruiker veroorzaakt door het gebruik van onvolledige producten leidt tot het vervallen van de garantie.

Vuly Play-producten worden vooraf verpakt geleverd in de magazijnen van Vuly Play; wij zijn niet in staat om de dozen vóór levering te controleren om te verzekeren dat ze alle vereiste onderdelen bevatten. Hoewel het percentage ontbrekende onderdelen tijdens de verpakking zeer laag is, kunnen sommige onderdelen ook tijdens het transport uit de dozen vallen door kleine, onbedoelde scheuren.











**vulyplay.com**

See **vulyplay.com/terms** for the most recent Vuly Play warranty policies, terms and conditions.

Consultez **vulyplay.com/terms** pour connaître les dernières politiques, conditions générales et garanties de Vuly Play.

Besuchen Sie **vulyplay.com/terms**, um die jeweils aktuellsten Garantiebedingungen und Allgemeinen Geschäftsbedingungen von Vuly Play einzusehen.

Zie **vulyplay.com/terms** voor de meest recente garantievoorwaarden en bepalingen van Vuly Play.

