

# BASKETBALL ADAPTOR LEGACY TRAMPOLINE

## Assembly Manual



## ATTENTION!

**SAFETY INFORMATION, INSTALLATION, CARE AND MAINTENANCE INSTRUCTIONS. READ PRIOR TO ASSEMBLING AND USING THE PRODUCT.**

Vuly cares about safety.  
Adult supervision is required at all times whilst equipment is in use.

If you have any feedback regarding our instructions, feel free to email [instructions@vulyplay.com](mailto:instructions@vulyplay.com) so that we can continue to improve.



Scan this QR code  
or visit [vulyplay.com/install](https://vulyplay.com/install) for  
step-by-step video instructions

Record your date of purchase here:

	/	/
---	---	---

## Contents

Read and follow all instructions in this manual before using your trampoline, and do not use the trampoline in any way that is not described in this manual.

Responsibility rests with the owner and supervisors of the trampoline to make sure that all users are aware of the practices specified in this manual.

1.0. Disclaimer .....	2
2.0. Safety, Care and Maintenance .....	3
3.0. Installation.....	5
3.1. Boxes .....	5
3.2. Lift 2, Thunder, Thunder Pro Assembly Instructions .....	6
3.3. Ultra Assembly Instructions .....	10
3.4. Flare Assembly Instructions .....	14



# 1.0. Disclaimer

The following Conditions of Sale will apply to and bind the purchasers of any Vuly Play ABN: 48 655 129 623 & EIN: 99-2968094 (“Vuly”) product.

## NOTICE TO USER:

Please read this agreement carefully before purchase or assembly. By purchasing, opening and assembling this product you acknowledge that you have read this agreement, understand it and agree to be bound by its conditions. If you are making a purchase on behalf of another person, you agree that you are making the purchase as their agent.

## LEGAL RIGHTS – PLEASE READ:

Exclusion of liability – waiver of right to sue – your assumption of risk – these conditions affect your legal rights.

Vuly Play ABN: 48 655 129 623 & EIN: 99-2968094 (“Vuly”), as supplier of trampolines and accessories (“Products”), sells all Products subject to the following conditions:

1. To the maximum extent permitted by the law, Vuly, its employees, directors and agents will not be liable to the customer, their dependents or legal representatives for damage to property, personal injury or death suffered by the customer because the Product was not manufactured or supplied with due care and skill, the Product is not reasonably fit for its purpose or because of negligence, breach of contract, breach of statute or breach of statutory duty by Vuly.
2. Vuly, its employees, directors and agents are not liable to the customer, their dependents or legal representatives for personal injury or death suffered by the customer because the Product was not:
  - a. installed in accordance with the Vuly instruction manual. It is the customer’s responsibility to check all boxes to confirm that all components are included and in the correct condition before assembly.
  - b. installed with due care and skill, by a the customer or a third party assembly service; and
  - c. in the same condition as when the Product was supplied, due to wear and tear – including, but not limited to, weather damage, deterioration of the net, spring stretch, UV deterioration or rust.
3. The customer acknowledges that using the Product can be dangerous, with inherent risks and hazards. As a consequence, personal injury or death may occur. The customer assumes and accepts all such risks, and hereby – to the full extent permitted by law – waives the right of action against, and fully releases Vuly for, loss, damages, personal injury or death in any way caused by, or relating to, the customer’s participation in such activities.

This includes – without limitation – liability for any negligent or tortuous acts or omission, breach of duty,

breach of contract or breach of statutory duty on the part of Vuly, its office bearers, directors, employees or agents.



ADULT SUPERVISION IS REQUIRED AT ALL TIMES WHILST EQUIPMENT IS IN USE. VULY CARES ABOUT SAFETY.



## WARNING

The use of the Product involves a significant risk of participants suffering personal injury including the possibility of serious injuries, permanent disability or death. All participants who engage in activities with the Product do so at their own risk.



## WARNING

To reduce the risk of injury while using the system, enforce the following:

- One user at a time - collision hazard.
- Only outdoor and Domestic use
- Adult supervision required at all times. Users 6 years of age & over.

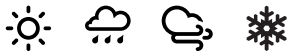


## 2.0. Safety, Care and Maintenance

Improper use or lack of care can lead to your Basketball Set deteriorating earlier than expected.

Please follow all of these care instructions to ensure that your Basketball Set lasts for as long as possible.

### Weather Care



Cover or remove your Basketball Set when not in use. Long-term exposure to the elements may fade the material on the hoop.

Disassemble your Basketball Set and store during inclement weather. The additional weight on a trampoline's Net Poles can increase the chance of your Safety Net becoming damaged.

### Storage

Store in a cool, dry place in the original packaging.

## IMPORTANT NOTES

### Metal Rust and Corrosion

- Be aware of areas that are particularly prone to rusting:
  - Places where water is easily trapped.
  - Hollow sections of steel (which can appear in good condition on the outside, while hiding rust on the inside).
  - Weld lines.
  - Sections where different metal components join together.
- Inspect the inside of the tubing every 6 months, and remove any water. Check tube and pole connection areas for rust.
- Use general purpose grease on steel connection areas to reduce the chance of corrosion.
- Avoid excessively cleaning steel components; it may reduce the effectiveness of our protective coatings.

### Textile deterioration

- Clean your hoop with a soft sponge only to avoid tearing or cutting the material.
- Avoid using powerful soaps or detergents; they can damage the hoop.
- Wipe dry any water used to clean the hoop with an absorbent cloth; do not leave the hoop to dry in the sun

**Time required for assembly:** 10 - 15 minutes (approx).  
**Number of people recommended for assembly:** 2



## Safe use information

- Minimum user age – 6 years.
- Maximum number of users – 1.
- Domestic and outdoor use only.
- Adult assembly required.
- Adult supervision required at all times.
- Inspect before and after each use.
- Replace any worn, deteriorated, defective or missing parts immediately and only through Vuly.
- Check for any rusting before each use. Remove it, and repaint with exterior enamel. If the rusting has penetrated any steel component, replace it immediately.
- Risk of strangulation or death due to items restricting airways, becoming entangled or entrapped by the equipment.
- The system may become hot enough under direct sunlight and cause burning injuries.
- Ensure that the system is secured with anchors or bolts before use.
- Check all coverings and bolts for sharp edges and replaced when required.
- Ensure active and competent adult supervision at all times while children are using the system.

## Assembly information

- Ensure that the system has been assembled by 2 adults, in accordance with the assembly instructions.
- Keep a minimum of 8 m overhead clearance, when measured from the bed height, to prevent users from inadvertently contacting overhead hazards – such as electric wires, tree limbs and clotheslines.
- Maintain a minimum clearance of 2 m on all sides of the trampoline. This area should not include concrete, bitumen, brick or other hard surfaces, as these can cause serious injuries if users fall off the trampoline.
- Ensure that the system is installed over impact absorbing surfaces such as grass and is not be installed over concrete, asphalt or any hard surface. A fall onto a hard surface can result in serious injury or death to the equipment user.
- Exercise caution if using a ladder during assembly.
- Ensure that the system has been checked over before use, and that all attachments are secure.
- Check that there are no overhead power lines within a 7 m (20 ft) radius of the Basketball Set.
- Make sure that the areas around, underneath and above the system are clear.
- Installation errors can cause falls from equipment, serious head injury or death.
- Retain this instruction manual for further reference.

## Usage and Behaviour

- Do not use in strong wind conditions or wet weather, and keep the system secure.
- Exercise caution at heights.
- Refrain from playing on damaged equipment at all times.
- Keep your face away from the backboard, hoop and net during play (especially during ‘dunking’ activities).
- Keep hands and fingers away from moving parts.
- Remove jewellery before use; it may become tangled in the net.
- Keep water, or other organic material, away from the Basketball Set; it may cause the system to rust and fail.
- Demonstrate safe use for children before allowing them onto the system.
- Do not walk close to, in front of, behind, or between moving items.
- Ensure that all players know and follow these rules to safely operate the Basketball Set.
- Do not hang off Rim or other parts of the Basketball Set.



## 3.0. Installation

### 3.1. Boxes

## LIFT 2, THUNDER, THUNDER PRO (PAGE 6)

BOX 1	<b>Basketball Set</b>
BOX 2	<b>Basketball Adaptor - Legacy Trampoline</b>

## ULTRA (PAGE 10)

BOX 1	<b>Basketball Set</b>
BOX 2	<b>Basketball Adaptor - Legacy Trampoline</b>
BOX 3	<b>Basketball Adaptor - Ultra</b>

## FLARE (PAGE 14)

BOX 1	<b>Basketball Set</b>
BOX 2	<b>Basketball Adaptor - Legacy Trampoline</b>
BOX 3	<b>Basketball Adaptor - Flare Net Pole</b>



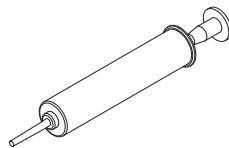
# Lift 2, Thunder, Thunder Pro

## PART LIST

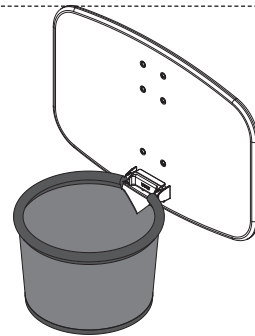
### Basketball Set



x1  
BALL

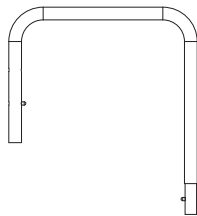


x1  
PUMP



x1  
BASKETBALL SET

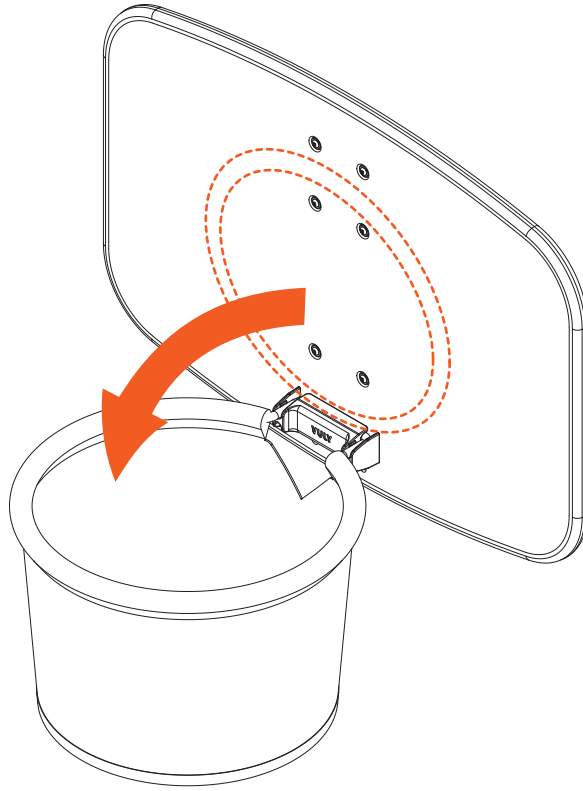
### Basketball Adaptor - Legacy Trampoline



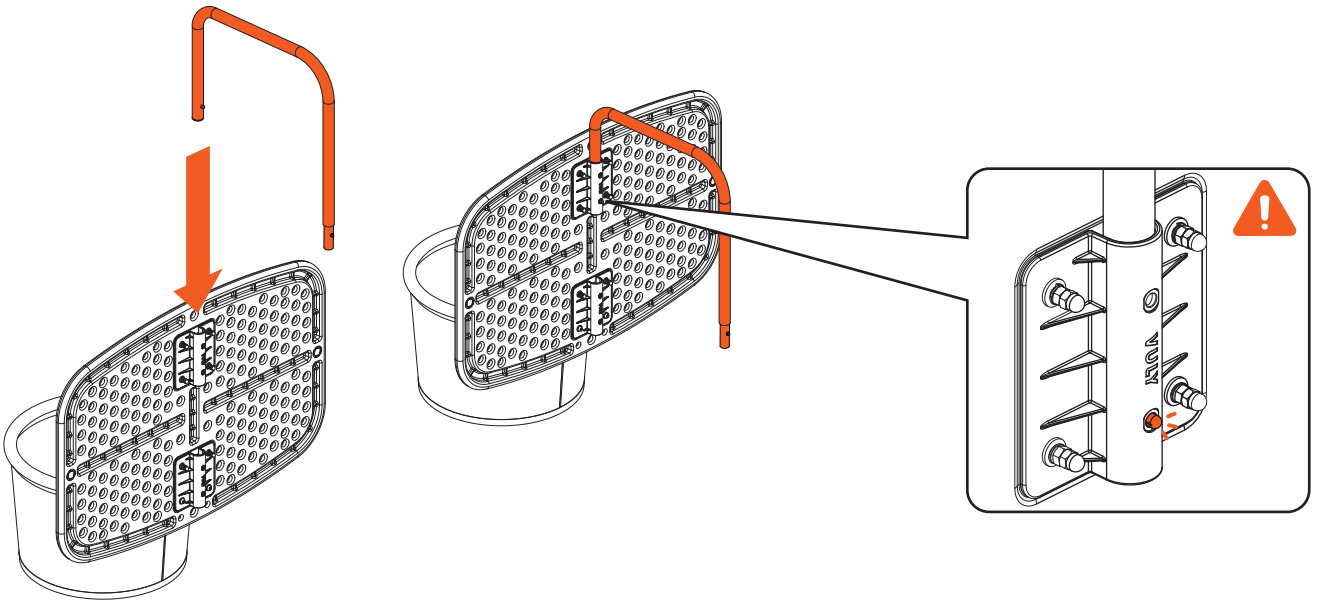
x1  
LEGACY TRAMPOLINE  
ADAPTOR TUBE



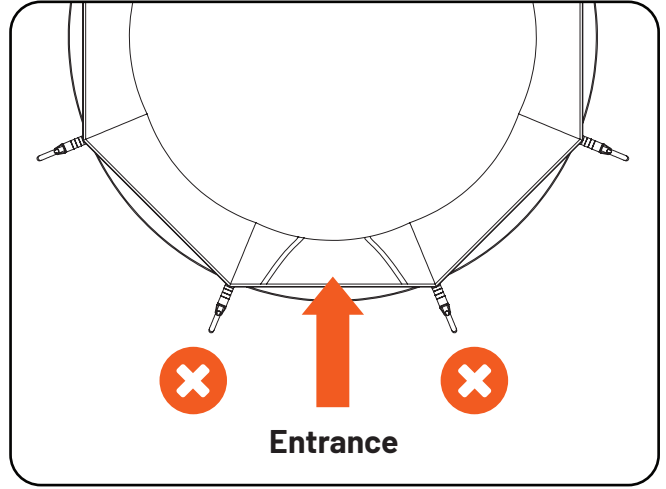
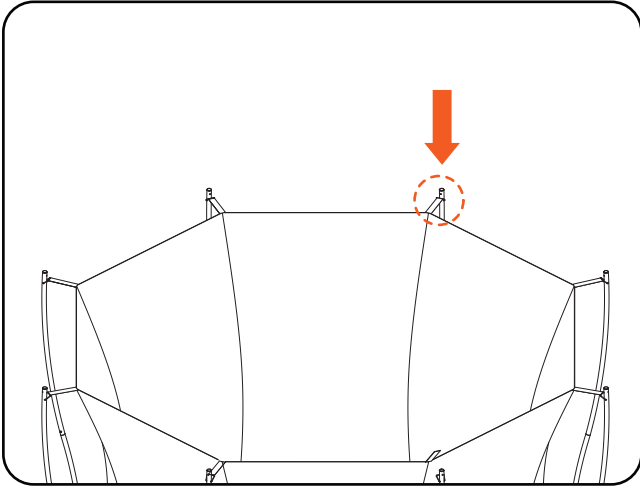
# 1



# 2

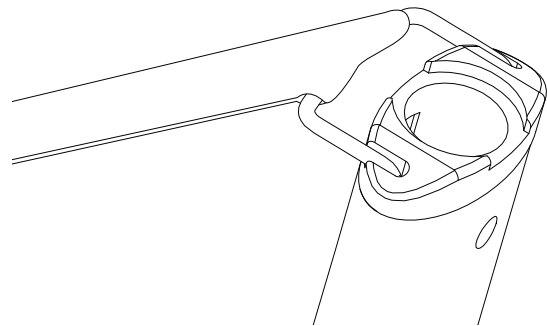
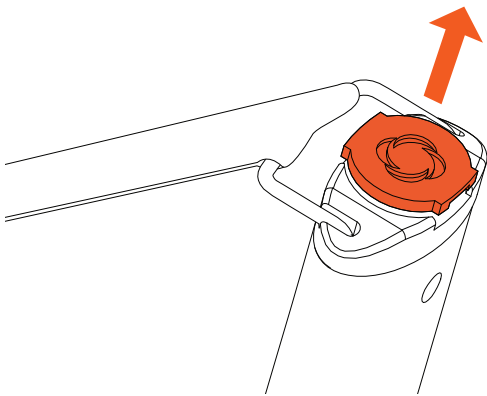


# 3

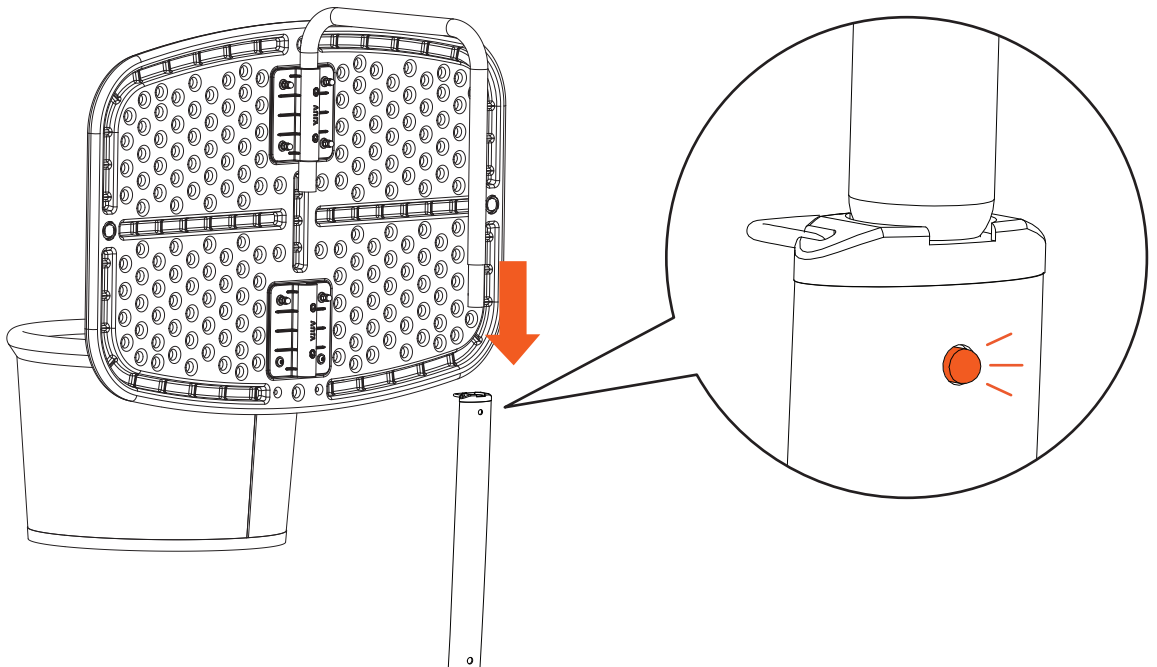


 **NOTE:** Choose a desired location to install Basketball Set. DO NOT install near entrance 

# 3



# 4



**NOTE:** Ensure Push Buttons are fully engaged to complete installation.



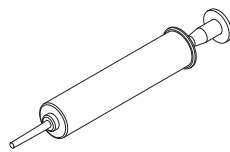
# Ultra

## PART LIST

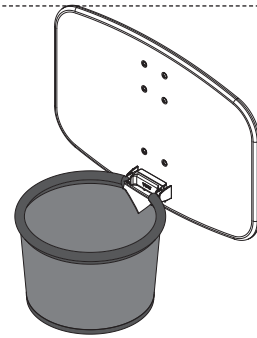
### Basketball Set



x1  
BALL

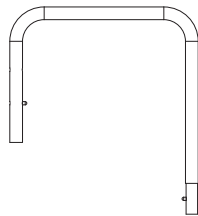


x1  
PUMP



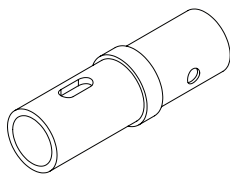
x1  
BASKETBALL SET

### Basketball Adaptor - Legacy Trampoline

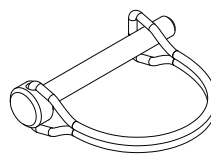


x1  
LEGACY TRAMPOLINE  
ADAPTOR TUBE

### Basketball Adaptor - Ultra

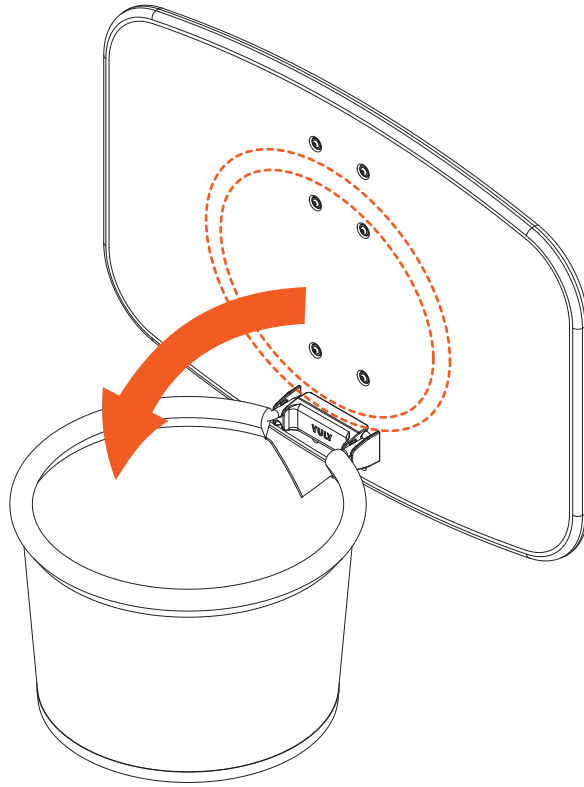


x1  
Ultra Basketball Set  
Adapter

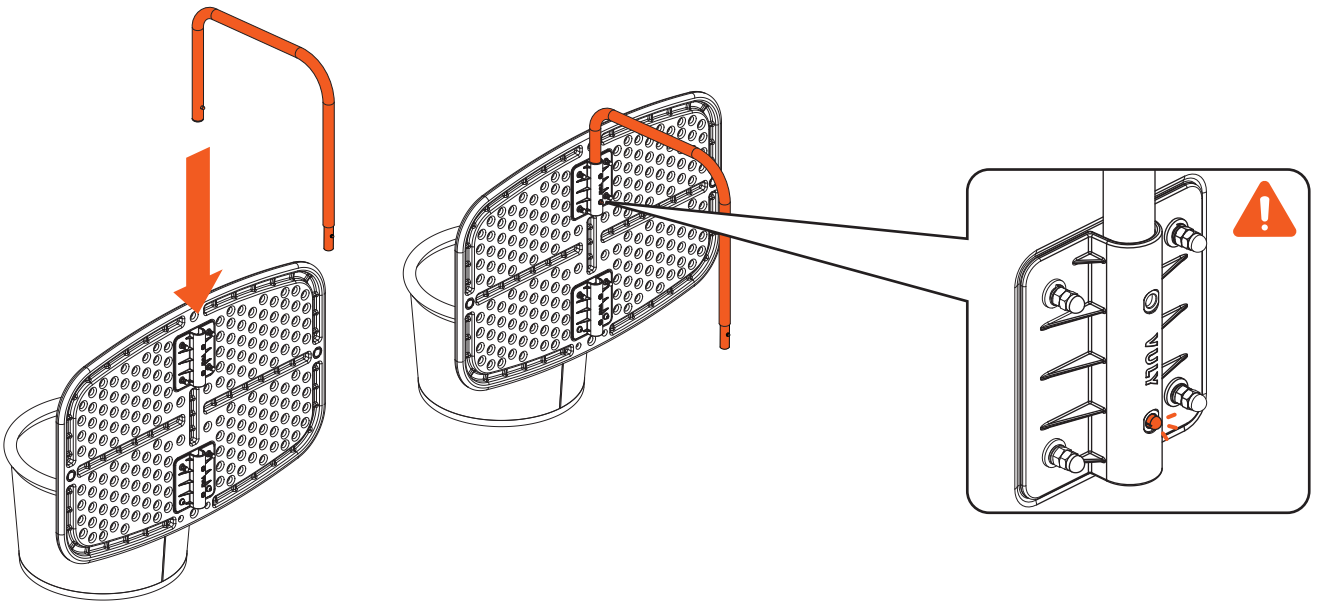


x1  
Ultra Basketball Set  
D-shackles

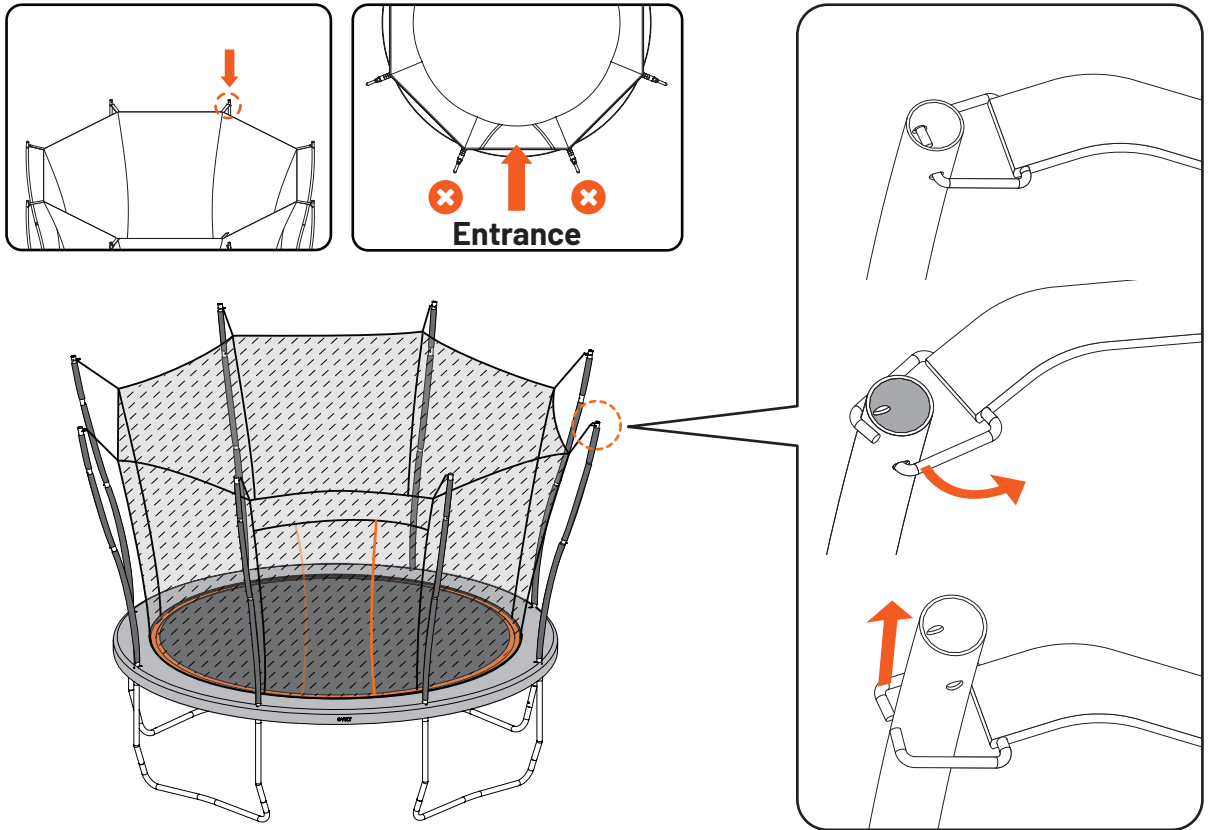
# 1




# 2

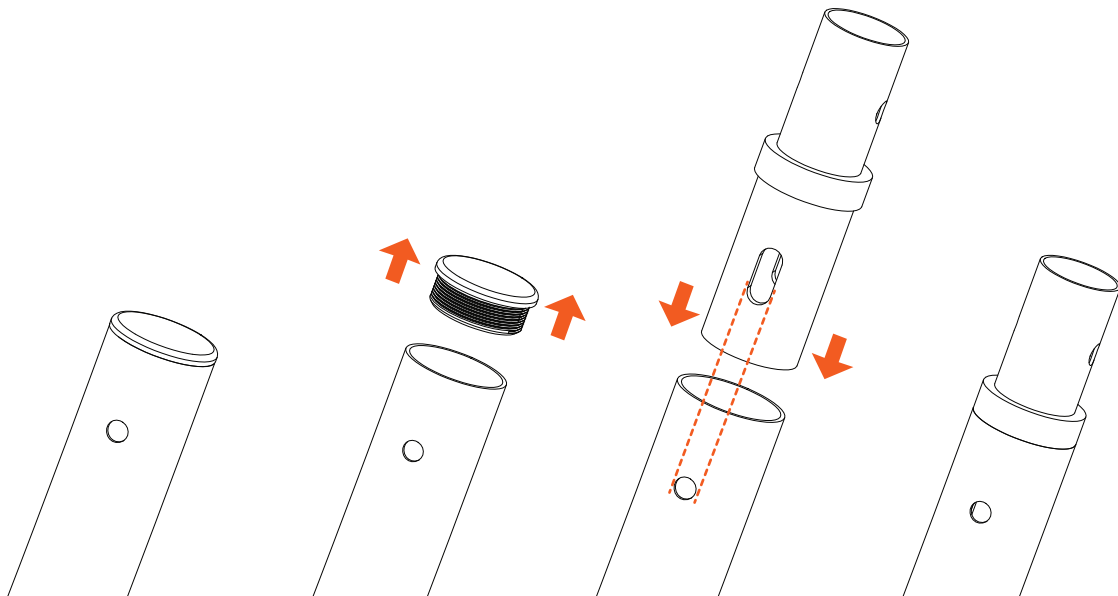




# 3



 **NOTE:** Choose a desired location to install Basketball Set. DO NOT install near entrance 

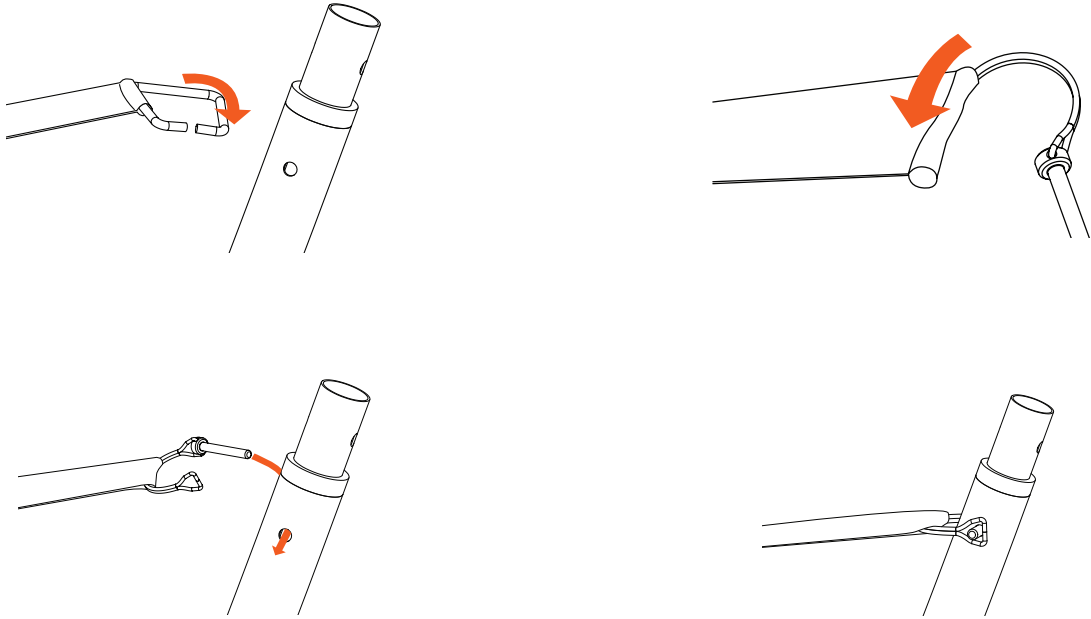
# 4



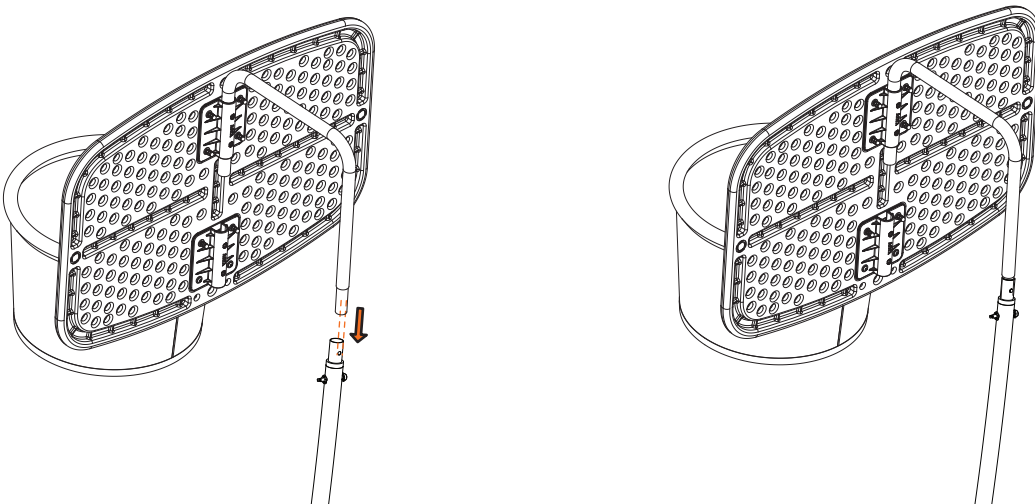
 **NOTE:** Install adapter onto top of Netpole as shown. 





# 5



# 6



 **NOTE:** Ensure Push Buttons are fully engaged to complete installation. 



### 3.4. Flare Assembly Instructions

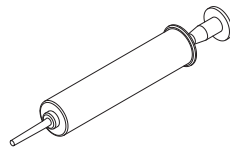
# Flare

## PART LIST

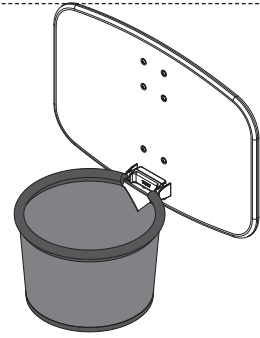
### Basketball Set



x1  
BALL

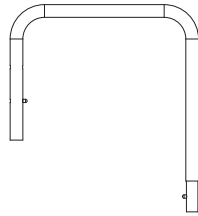


x1  
PUMP



x1  
BASKETBALL SET

### Basketball Adaptor - Legacy Trampoline

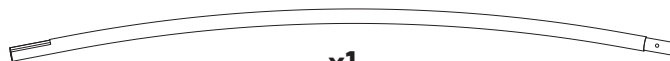


x1  
LEGACY TRAMPOLINE  
ADAPTOR TUBE

### Basketball Adaptor - Flare Net Pole



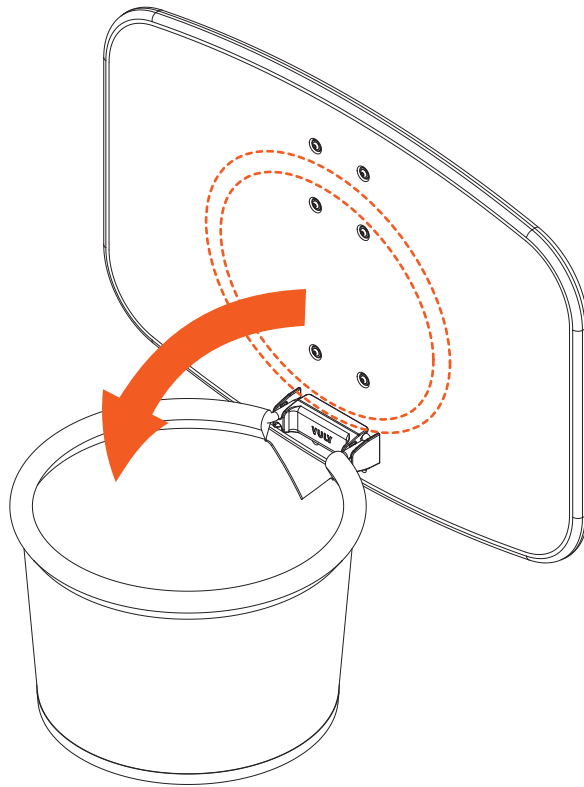
x1  
FLARE NETPOLE ADAPTOR UPPER TUBE



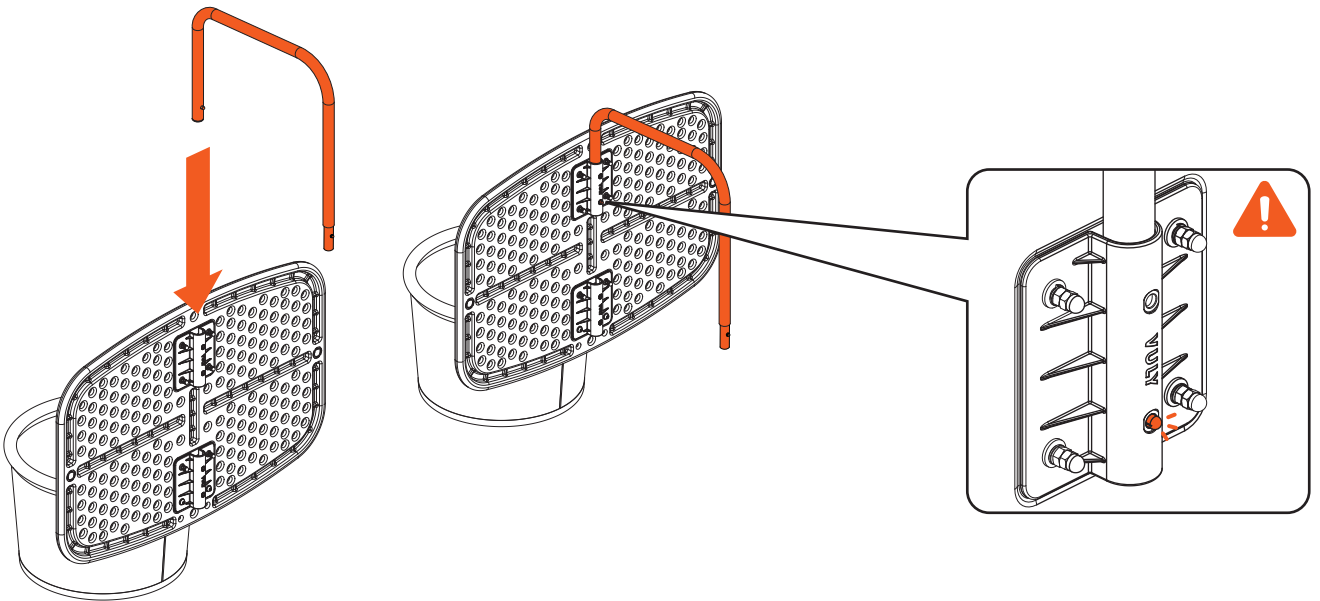
x1  
FLARE NETPOLE ADAPTOR LOWER TUBE



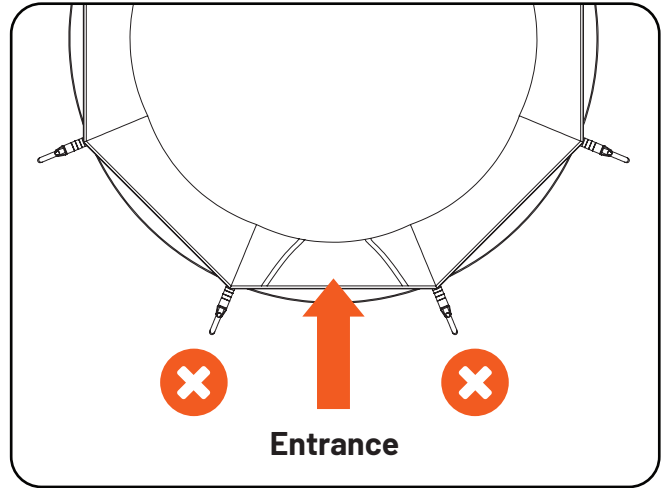
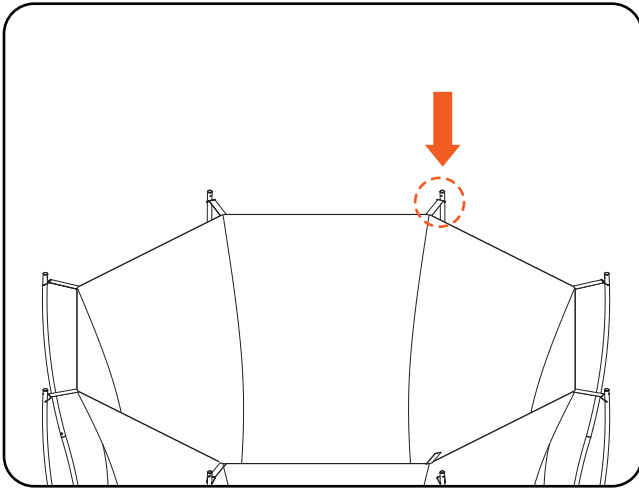
# 1





# 2

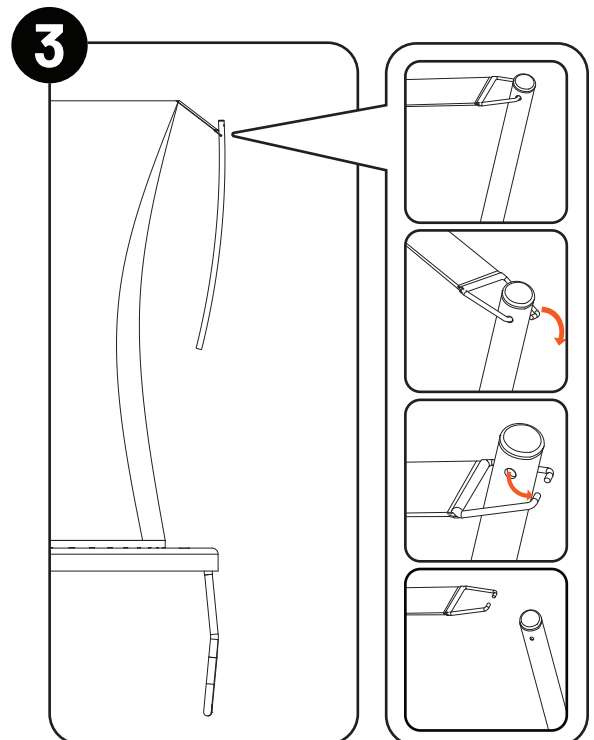
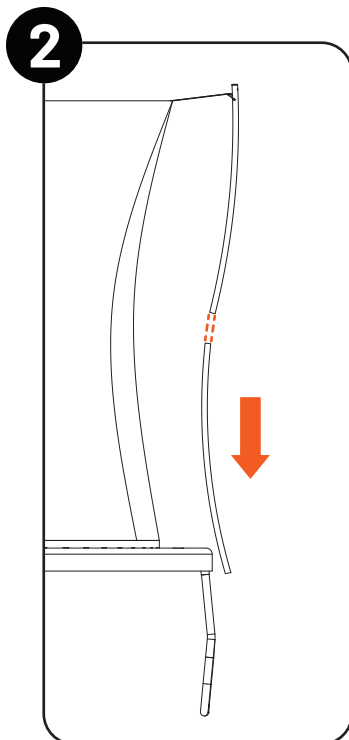
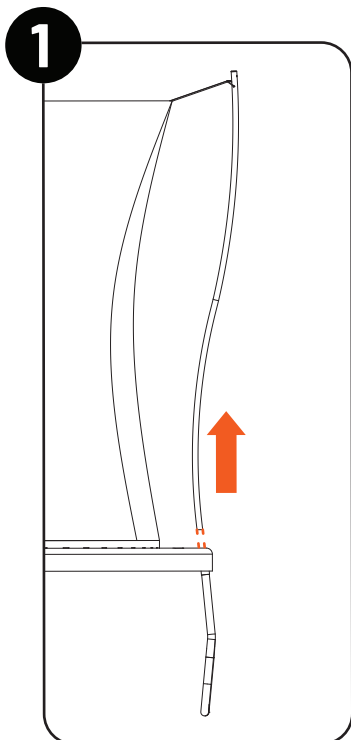




# 3



 **NOTE:** Choose a desired location to install Basketball Set. DO NOT install near entrance 

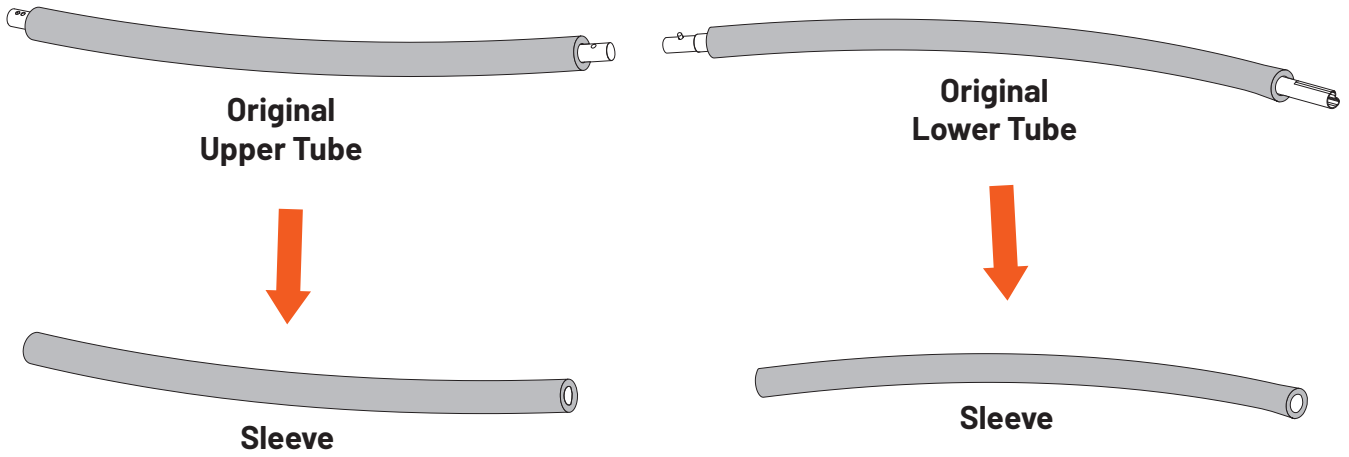
# 4



 **NOTE:** Remove Net Pole from the desired installation location. 



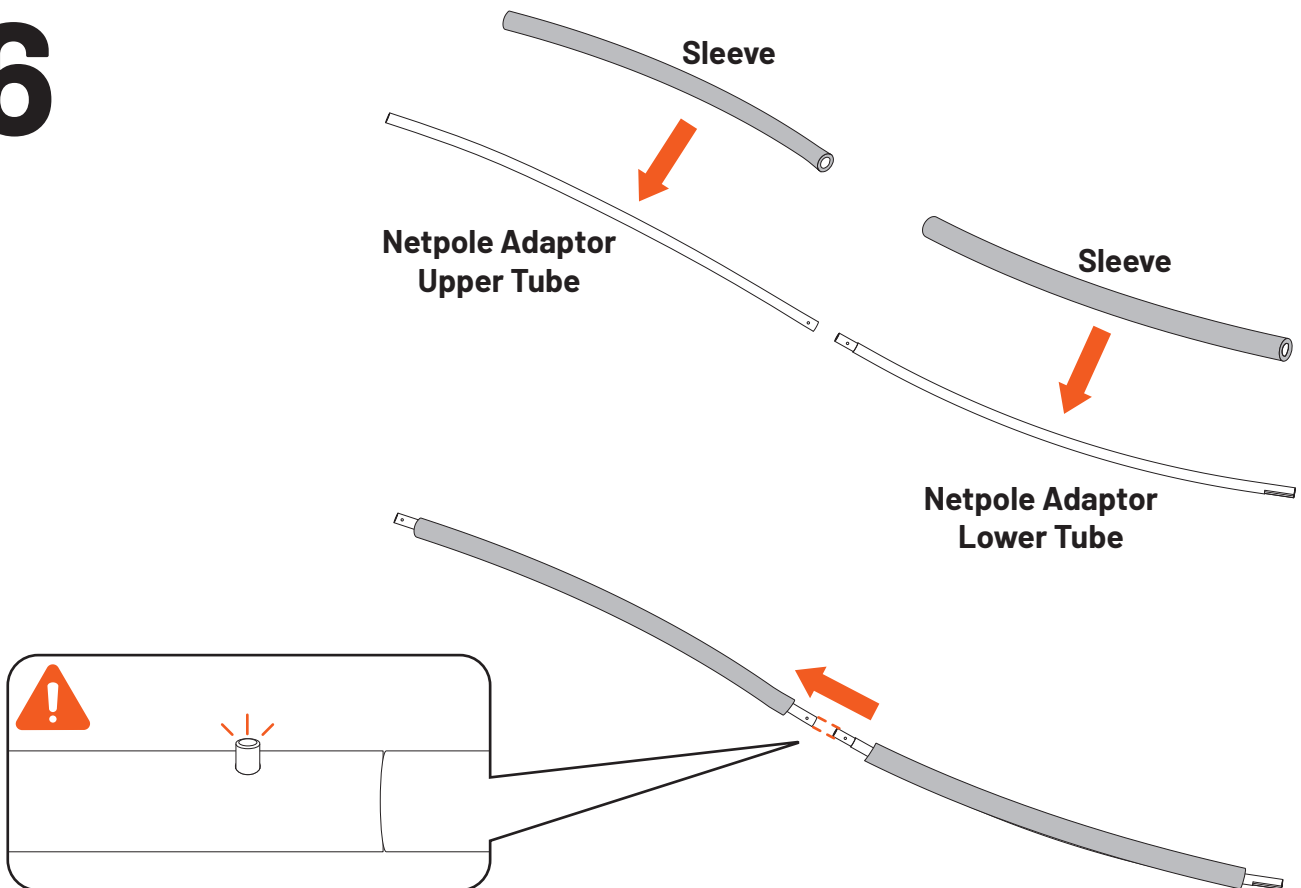
# 5



**NOTE:** Remove sleeves from original Netpole tubes.



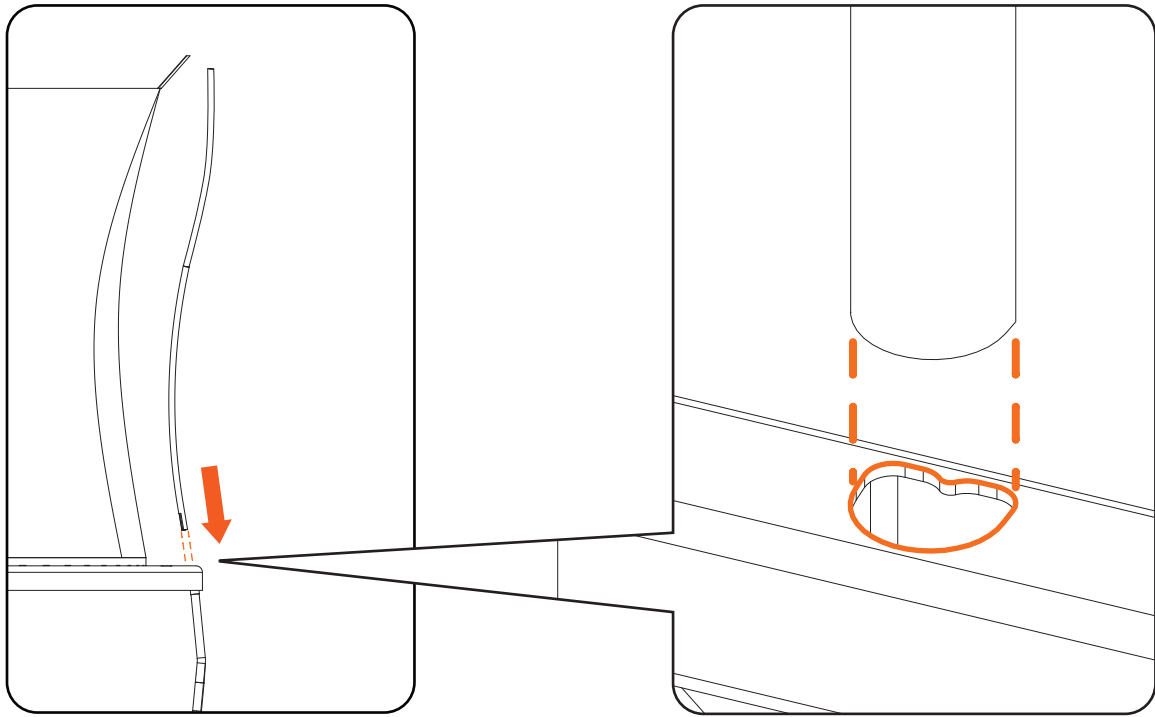
# 6



**NOTE:** Attatch sleeves on Flare Adaptor Tubes.



# 7

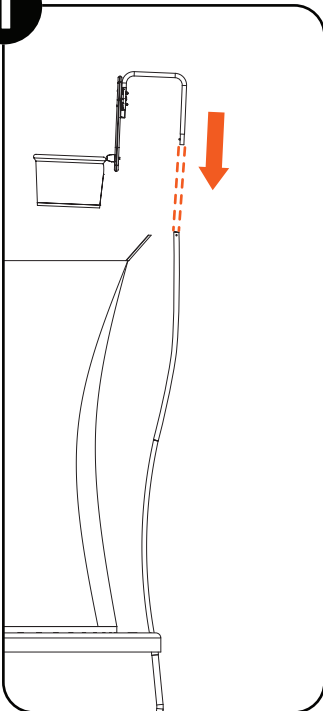


**NOTE:** Please pay attention to the orientation of the Lower Net Pole Adapter Tube.

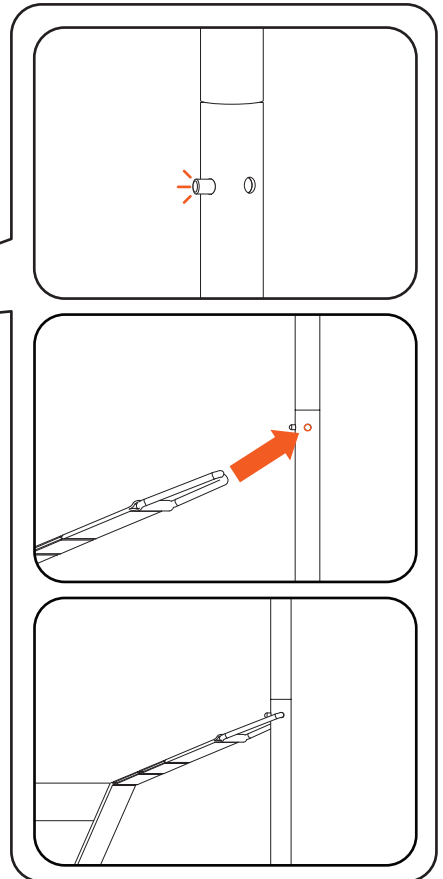
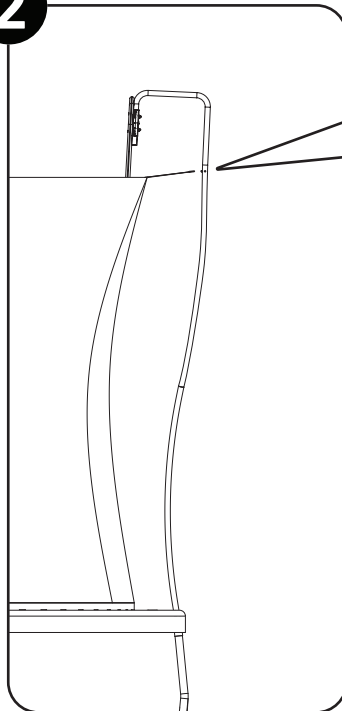


# 8

1



2



**NOTE:** Ensure push pin is fully engaged and safety net is properly attached to netpole





See [vulyplay.com/Terms](https://vulyplay.com/Terms) for the most recent Vuly warranty policies, terms and conditions.