



ATTENTION!

SAFETY INFORMATION, INSTALLATION, CARE AND MAINTENANCE INSTRUCTIONS. READ PRIOR TO ASSEMBLING AND USING THE PRODUCT.

Vuly cares about safety.
Adult supervision is required at all times whilst equipment is in use.

If you have any feedback regarding our instructions, feel free to email instructions@vulyplay.com so that we can continue to improve.



Scan this QR code
or visit vulyplay.com/install for
step-by-step video instructions

Disclaimer

The following Conditions of Sale will apply to and bind the purchasers of any Vuly Play ABN: 48 655 129 623 & EIN: 99-2968094 ("Vuly") product.

NOTICE TO USER:

Please read this agreement carefully before purchase or assembly. By purchasing, opening and assembling this product you acknowledge that you have read this agreement, understand it and agree to be bound by its conditions. If you are making a purchase on behalf of another person, you agree that you are making the purchase as their agent.

LEGAL RIGHTS – PLEASE READ:

Exclusion of liability – waiver of right to sue – your assumption of risk – these conditions affect your legal rights.

Vuly Play ABN: 48 655 129 623 & W EIN: 99-2968094 ("Vuly"), as supplier of play equipment and accessories ("Products"), sells all Products subject to the following conditions:

1. To the maximum extent permitted by the law, Vuly, its employees, directors and agents will not be liable to the customer, their dependents or legal representatives for damage to property, personal injury or death suffered by the customer because the Product was not manufactured or supplied with due care and skill, the Product is not reasonably fit for its purpose or because of negligence, breach of contract, breach of statute or breach of statutory duty by Vuly.
2. Vuly, its employees, directors and agents are not liable to the customer, their dependents or legal representatives for personal injury or death suffered by the customer because the Product was not:
 - a. installed in accordance with the Vuly instruction manual. It is the customer's responsibility to check all boxes to confirm that all components are included and in the correct condition before assembly.
 - b. installed with due care and skill, by a the customer or a third party assembly service; and
 - c. in the same condition as when the Product was supplied, due to wear and tear – including, but not limited to, weather damage, deterioration of the net, spring stretch, UV deterioration or rust.
3. The customer acknowledges that using the Product can be dangerous, with inherent risks and hazards. As a consequence, personal injury or death may occur. The customer assumes and accepts all such risks, and hereby – to the full extent permitted by law – waives the right of action against, and fully releases Vuly for, loss, damages, personal injury or death in any way caused by, or relating to, the customer's participation in such activities.

This includes – without limitation – liability for any negligent or tortuous acts or omission, breach of duty, breach of contract or breach of statutory duty on the part of Vuly, its office bearers, directors, employees or agents.

WARNING!

To reduce the risk of injury while using the system, enforce the following:

- Minimum user age – 6 years.
- Maximum number of users – 4.
- Adult assembly required.
- Adult supervision required at all times.
- Ensure that the system is secured with anchors or bolts before use.
- Exercise caution at heights. Maximum fall height is 2.2 m.
- Three adults required for assembly.
- Strong winds and wild weather can cause products to lift up and move, to avoid danger please secure your product

You will need these for assembly:

- Ladder
- Rubber mallet
- Tape measure or ruler

Vuly Play

95 Ingleston Rd, Brisbane QLD 4154

AU: 1300 667 514

US: 1-833-333-8888

www.vulyplay.com



Contents

Read and follow all instructions in this manual before using your system, and do not use it in any way that is not described in this manual.

Responsibility rests with the owner and supervisors of the product to make sure that all users are aware of the practices specified in this manual.

1.0. Care and Maintenance.....	2	5.0. Product registration	89
1.1. General care.....	2	6.0. Half-price replacement parts.....	89
1.2. Rust and corrosion	2	7.0. Warranty.....	89
1.3. Textile deterioration.....	2	7.1. Warranty periods	89
1.4. Weather care.....	2	7.2. Inclusions	89
2.0. Usage and behaviour	3	7.3. Exclusions	89
2.1. Safe use information	3	7.4. Warranty Claims	90
2.2. Safe use instructions.....	3	8.0. Missing parts.....	91
3.0. Pre-assembly	4		
3.1. Size Reference.....	4		
3.2. Tips & Tricks	4		
3.3. Road Map.....	6		
3.4. Parts and components	7		
4.0. Assembly Instructions.....	14		
4.1. Hideout Assembly	14		
4.2. Monkey Bar Assembly	28		
4.3. H-Frame Assembly	36		
4.4. 3M Span.....	40		
4.5. Frame Assembly	45		
4.6. Cross Brace.....	68		
4.7. Cargo Net.....	74		
4.8. Shade Cover	77		
4.9. Anchoring.....	85		



1.0. Care and Maintenance

Improper maintenance or lack of care can lead to your system deteriorating earlier than expected and causing injury. Please follow these instructions to ensure that your product lasts for as long as possible.

1.1. General care

- Retain this Manual.
- Inspect before and after each use.
- Replace any worn, deteriorated, defective or missing parts immediately and only through Vuly.
- Tighten all hardware, including elements that secure the system to the ground.
- Keep away objects that could damage textile components.
- Ensure that moving steel components remain well lubricated.
- Use only parts and accessories recommended by Vuly.

1.2. Rust and corrosion

- Be aware of, and check, areas that are particularly prone to rusting:
 - Places where water is easily trapped.
 - Hollow sections of steel (which can appear in good condition on the outside, while hiding rust on the inside).
 - Sections where steel components join together.
- Inspect the inside of all tubes every 6 months – as well as after rain – and remove any water from the inside surfaces.
- Use general-purpose grease on steel connection areas.
- Avoid cleaning steel components excessively; it may reduce the effectiveness of their protective coatings.

1.3. Textile deterioration

- Remove textile parts, and store them – in their original packaging – in a cool, dry and dark place when the system will be unused for over 1 month. Prolonged exposure to UV sunlight can shorten the lifespan of textile materials.

1.4. Weather care

Components are susceptible to deterioration from use and environmental conditions – such as sunlight, rain, salt and heat – to varying degrees.

If your system will be unused for any extended period, disassemble it, return it to its original packaging and store it in a dry place.



RAIN: Remove any fallen debris after rain and wipe off residual water with a dry cloth.



WIND: Disconnect any accessories, and cover the frame with a storm cover.



HEAT: Cover when not in use to minimise UV damage.

COMPONENTS WILL DETERIORATE OVER TIME.

Record your date of purchase:

	/	/
---	---	---



WARNING: Strong winds and wild weather can cause products to lift up and move, to avoid danger please secure your product

2.0. Usage and behaviour

Improper maintenance or lack of care can lead to your system deteriorating earlier than expected and causing injury. Please follow these instructions to ensure that your product lasts for as long as possible.

2.1. Safe use information

- Maximum user weight: 80kg.
- User limitation: Do not exceed more than two users on one side at any time.
- Domestic and outdoor use only.
- Suitable for ages 6 and over.
- Maximum users at one time: 4
- Minimum 3 adults required for assembly.

2.2. Safe use instructions



Adult supervision is required at all times whilst equipment is in use. Vuly cares about safety.



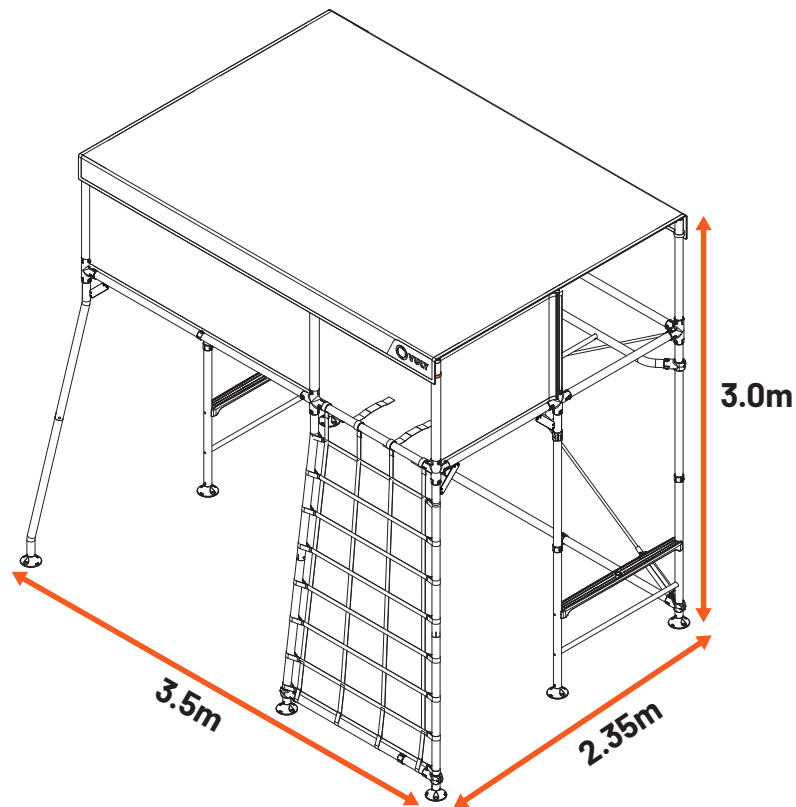
WARNING: To reduce the risk of injury while using the system, enforce the following.

- Ensure that the system has been assembled by an adult, in accordance with the assembly instructions.
- Ensure that the system has been checked over before use, and that all attachments are secure.
- Do not use in strong wind conditions or wet weather, and keep the system secure.
- Ensure active and competent adult supervision at all times while children are using the system.
- Wear comfortable clothing, which allows full and free movement, and closed-in footwear.
- Ensure that the system has been checked over before use, and that all attachments are secure.
 - Do not wear jewellery, drawstrings, cords, loops, buckles or anything that could entangle in components and become a strangulation hazard, a contact hazard or damage the system
 - Empty pockets and hands before use
- Exercise caution at heights.
- Make sure that the areas around, underneath and above the system are clear.
- Demonstrate safe use for children before allowing them onto the system.
- Do not walk close to, in front of, behind, or between moving items.
- Do not to attach items that are not specifically designed for use with the system, such as – but not limited to – jump ropes, clothesline, pet leashes, cables and chains.
- Install the system on level ground and in a well-lit area, no less than 2 m (6 ft) from any structure or obstruction – such as a fence, garage, house, overhanging branches, laundry lines, or electrical wires.
- Ensure that your chosen surface allows the system to be firmly embedded with the included Anchor Kit or with strong bolts.
- Preference installing the system on a surface with impact-attenuating properties – such as grass. A fall onto a hard surface can result in serious injury or death to the equipment user.
- Check that you have all parts required for assembly.
- Lock nuts and bolts securely.
- Children must not use the equipment until properly installed.



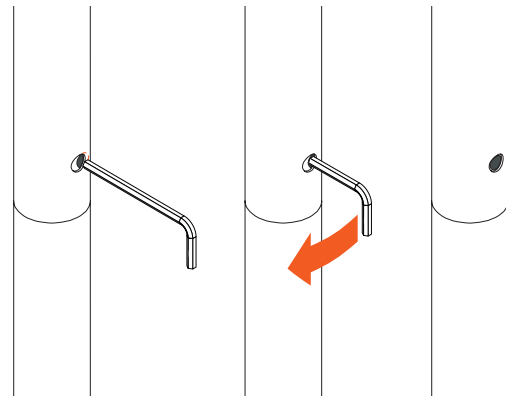
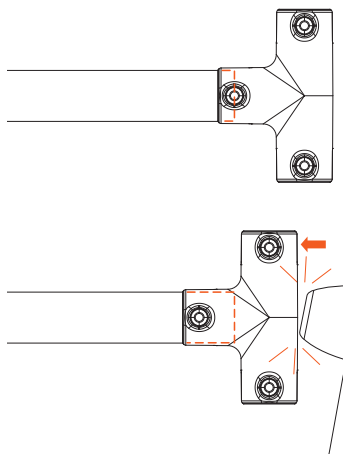
3.0. Pre-assembly

3.1. Size Reference



3.2. Tips & Tricks

3.2.1. Joiner Fitting

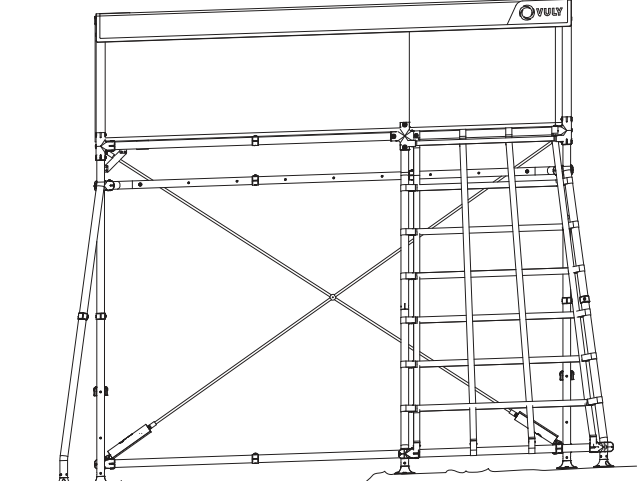
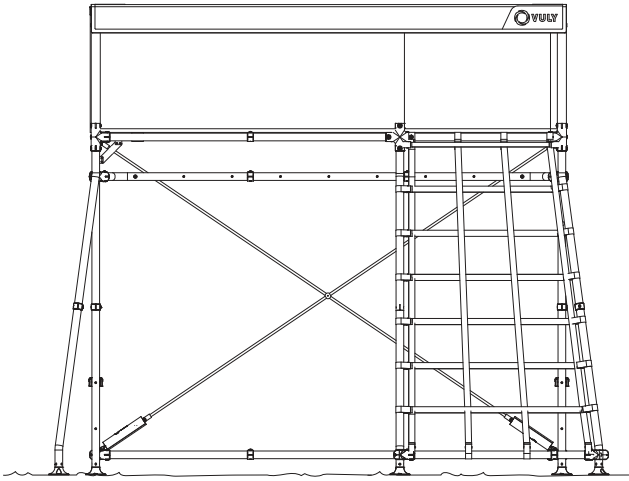


Difficulty in inserting joiners to frame tubes can be resolved by inverting the tube and tapping the internal joiner against a scrap piece of wood.

To align the joiner holes with the holes in the frame tube, take the large 6mm Allen key and insert it into the top hole in the joiner tube then twist until the holes align. If further alignment is required, remove the Allen key and place it through the holes in the joiner and the tube. Use the Allen key to lever the holes into alignment.

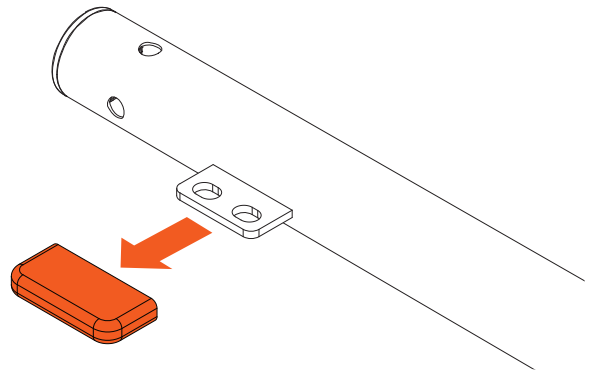
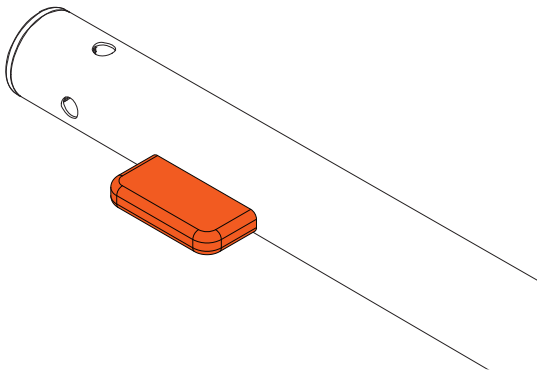


3.2.2. Uneven Ground



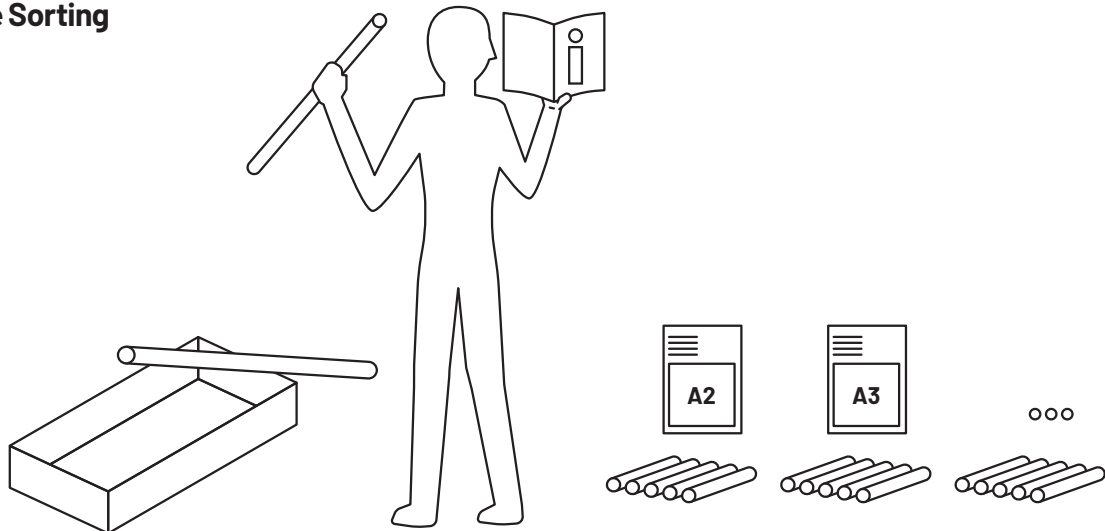
Ensure that ground at the installation location is level and clear of obstructions. Installing on an uneven surface can cause misalignment and instability.

3.2.3. Cap Removal



Ensure that protective caps on reinforcement tabs are removed before assembly.

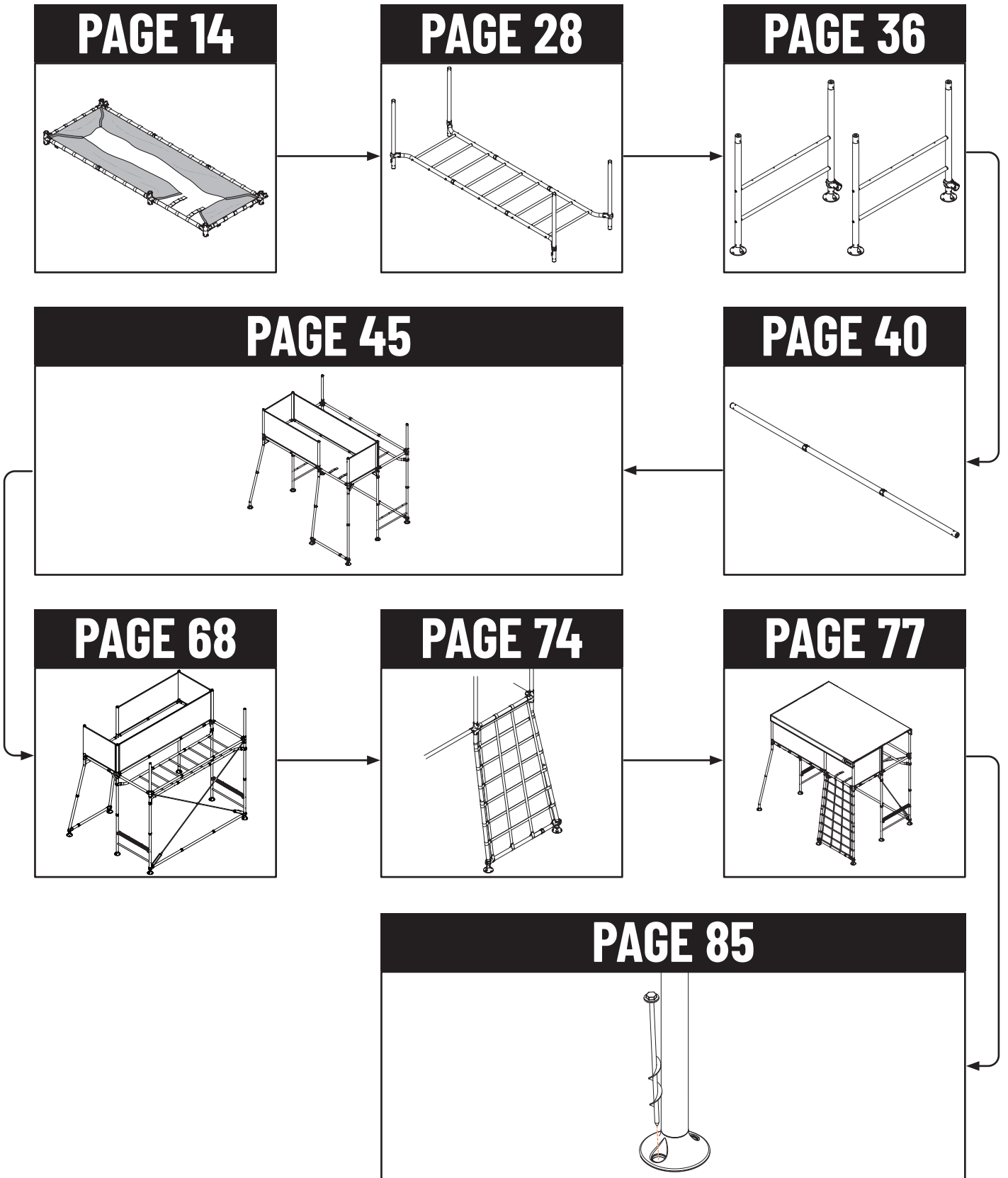
3.2.4. Tube Sorting



It is highly recommended that before commencing assembly, that you pre-organise all tubes and joiners into piles of the same type.



3.3. Road Map

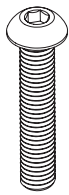
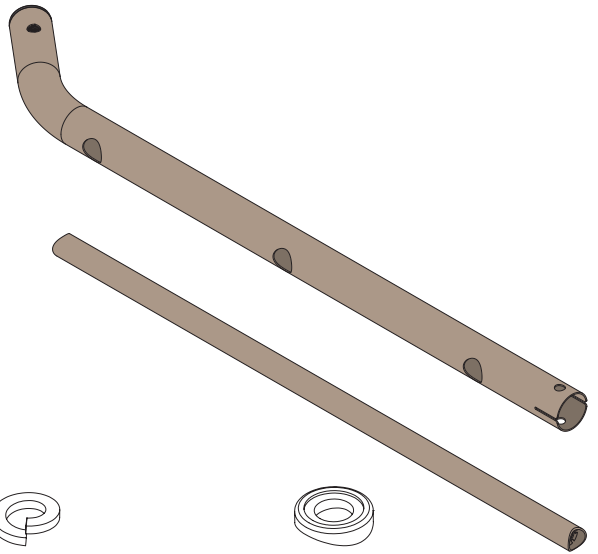


3.4. Parts and components

BOX B

B1 x4

R1 x9



x2
M10*45



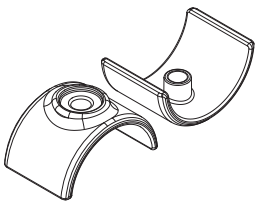
x4
ROUND BARREL NUT



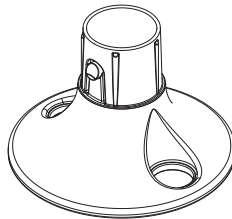
x2
SPRING WASHER



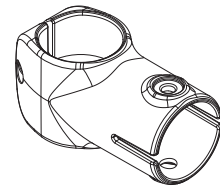
x2
PLASTIC WASHER



x4
TUBE TO TUBE
JOINER



x6
PLASTIC FOOT

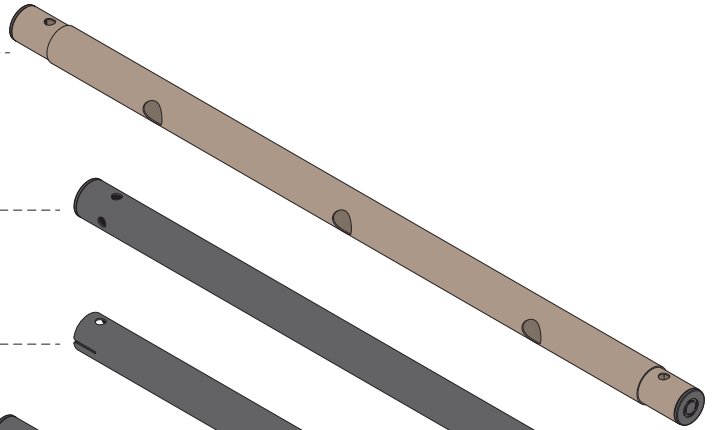


x4
ADJUSTABLE JOINER

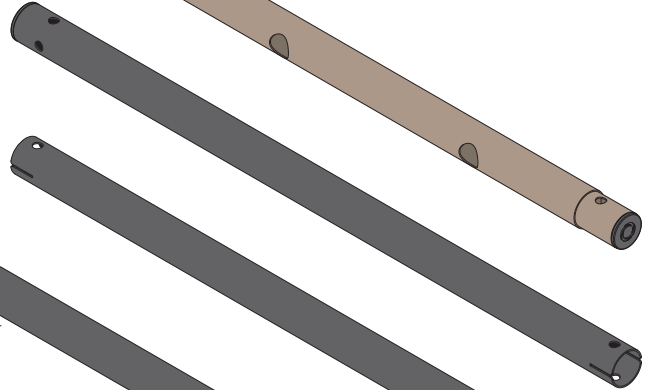


BOX C

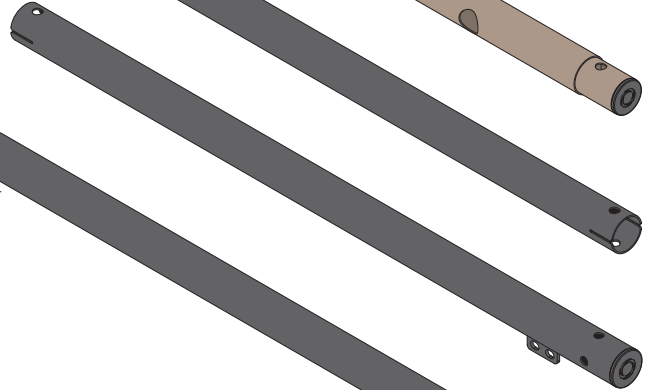
B2 x2



H1 x2



H1R x2



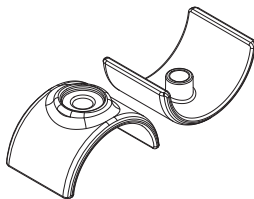
H2 x2



x20
M10 NYLON NUT



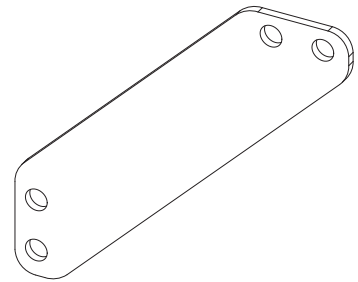
x20
M10*16



x4
TUBE TO TUBE
JOINER



x4
ROUND BARREL NUT



x5
REINFORCEMENT
PLATE

BOX PA1

R2 x1

R3 x1

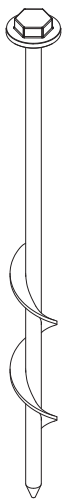
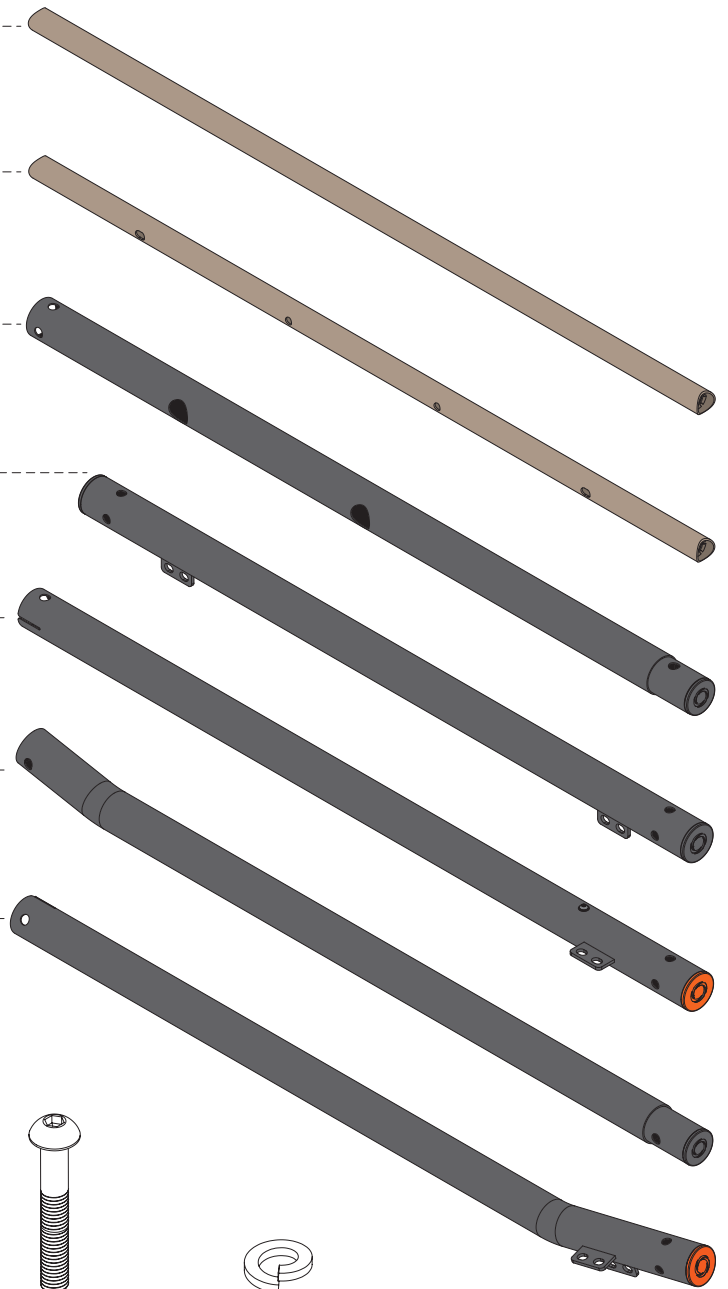
V2 x2

V1R x2

V3R x2

A1 x1

A2 x1



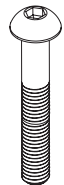
x3
ANCHOR



x3
ROUND
BARREL NUT



x12
M10*45



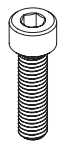
x19
M8*50



x12
SPRING WASHER



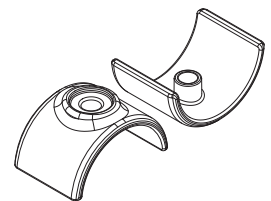
x14
HEX
BARREL NUT



x2
M8*30



x12
PLASTIC WASHER



x3
TUBE TO TUBE
JOINER



BOX PA2

R2 x1

R3 x1

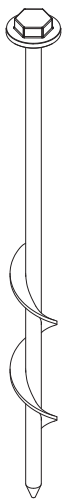
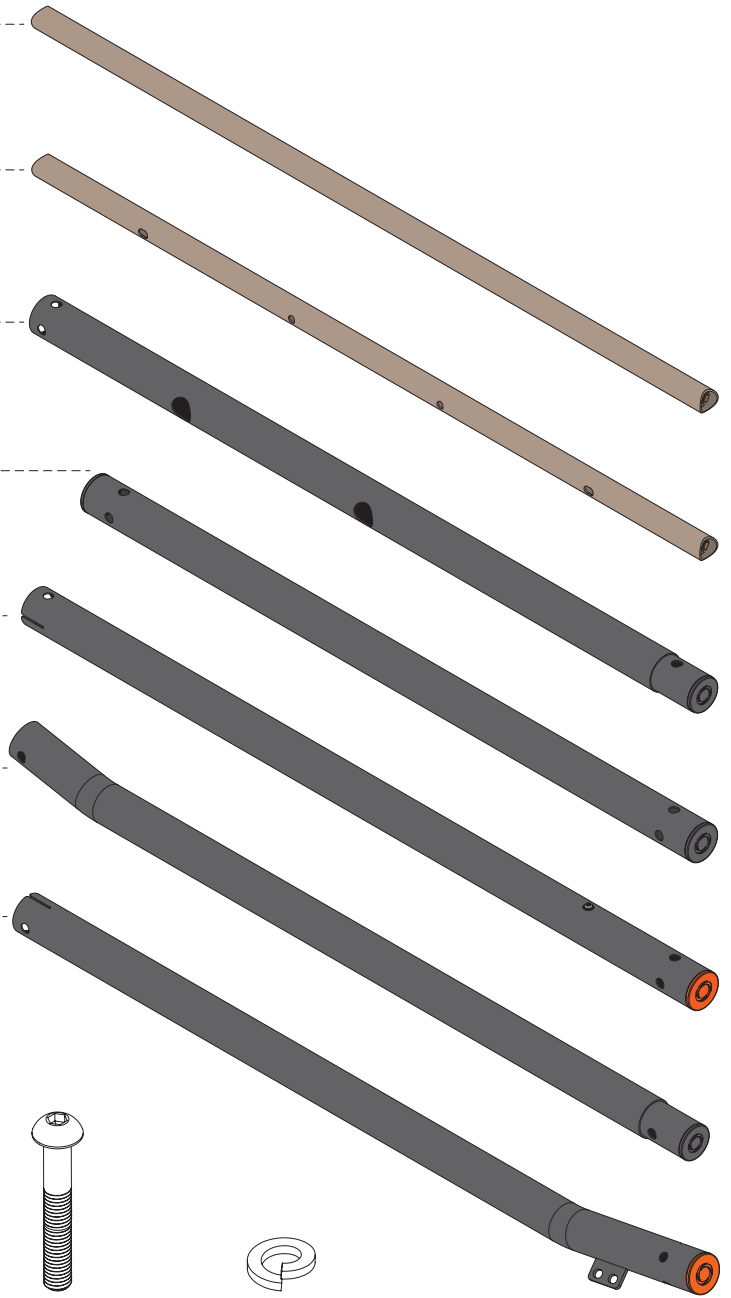
V2 x2

V1 x2

V3 x2

A1 x1

A9 x1



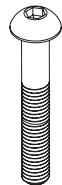
x3
ANCHOR



x3
ROUND
BARREL NUT



x12
M10*45



x19
M8*50



x12
SPRING WASHER



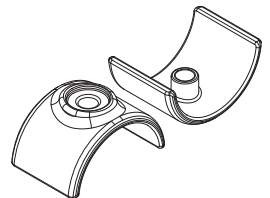
x14
HEX
BARREL NUT



x2
M8*30



x12
PLASTIC WASHER



x3
TUBE TO TUBE
JOINER

BOX P1

C2 x4

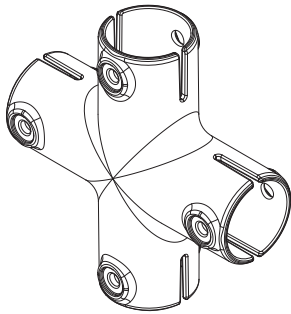
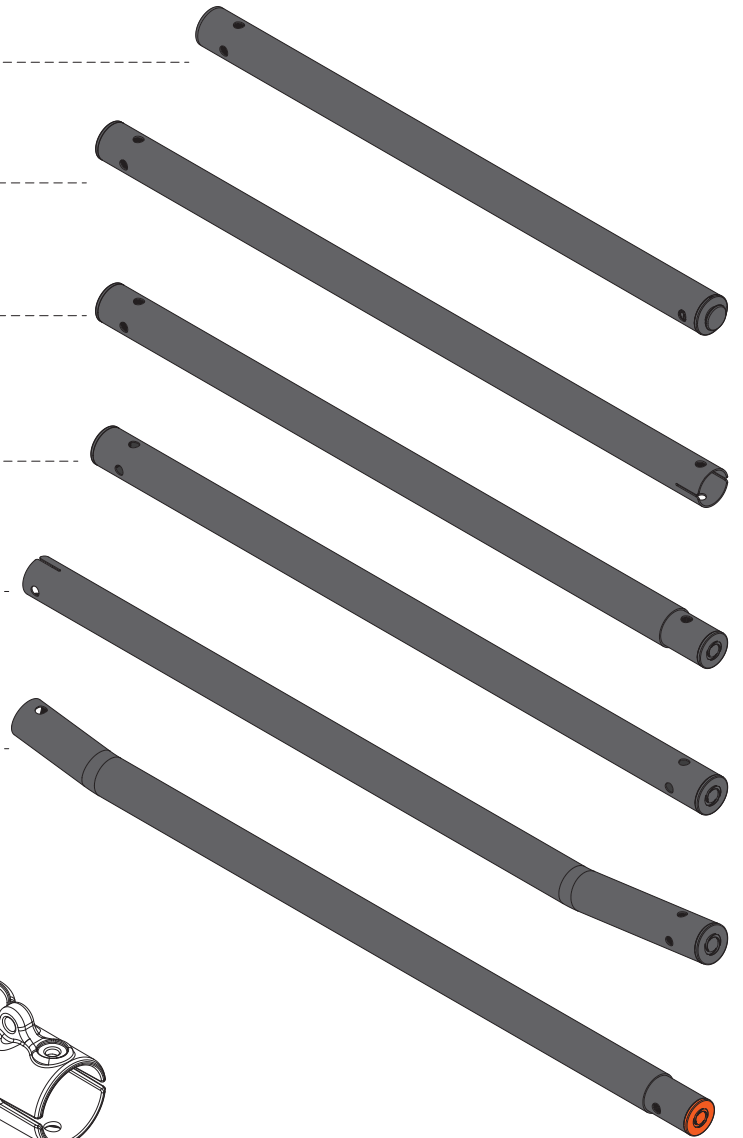
H1 x2

H3 x1

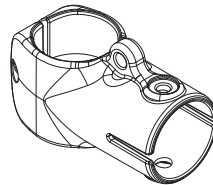
V1 x1

A3 x1

A4 x1



x1
CROSS JOINER

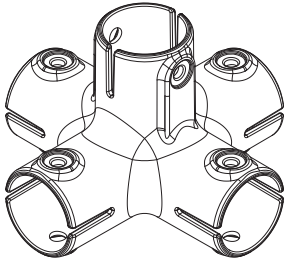


x2
ADJUSTABLE JOINER
(CROSS BRACE)

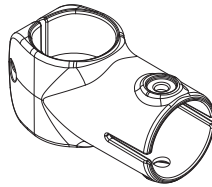


BOX PM1

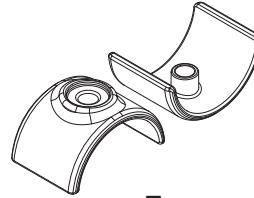
C2 x3



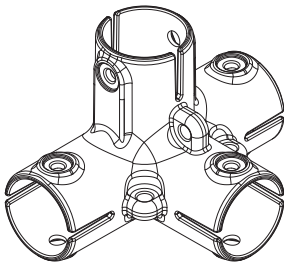
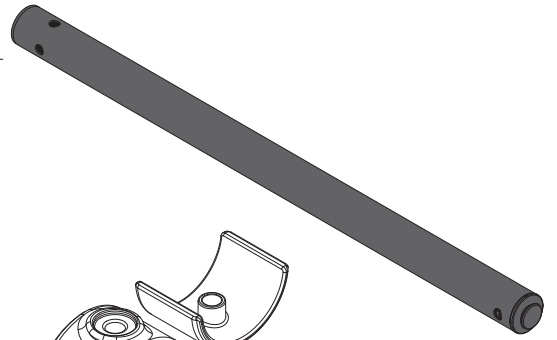
x2
5 WAY JOINER



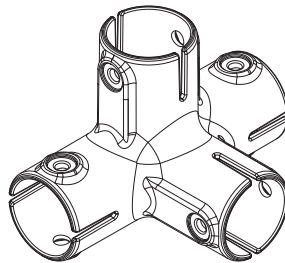
x2
ADJUSTABLE JOINER



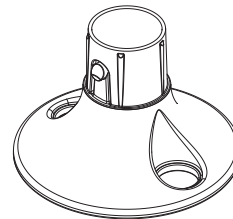
x5
TUBE TO TUBE JOINER



x2
4 WAY JOINER
(CROSS BARCE)



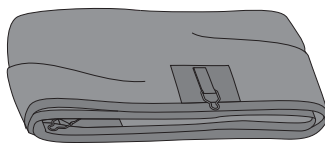
x2
4 WAY JOINER



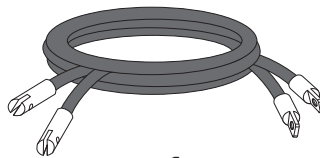
x1
PLASTIC FOOT



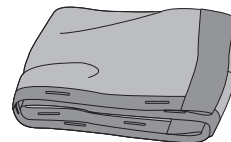
x1
ANCHOR



x1
SHADE COVER



x1
CROSS BRACE ROPE



x1
SAFETY NET



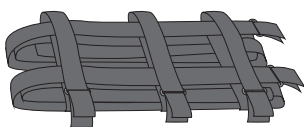
x4
M8*30



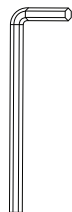
x10
HEX BARREL NUT



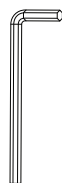
x5
ROUND BARREL NUT



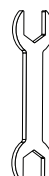
x1
CARGO NET



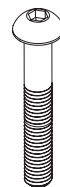
x2
6MM ALLEN KEY



x1
5MM ALLEN KEY



x1
17MM SPANNER



x19
M8*50



x1
OVERPASS

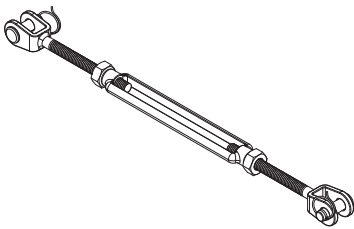
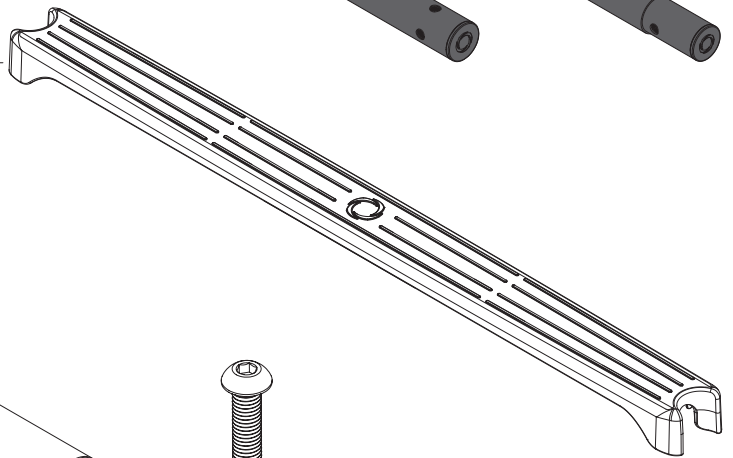
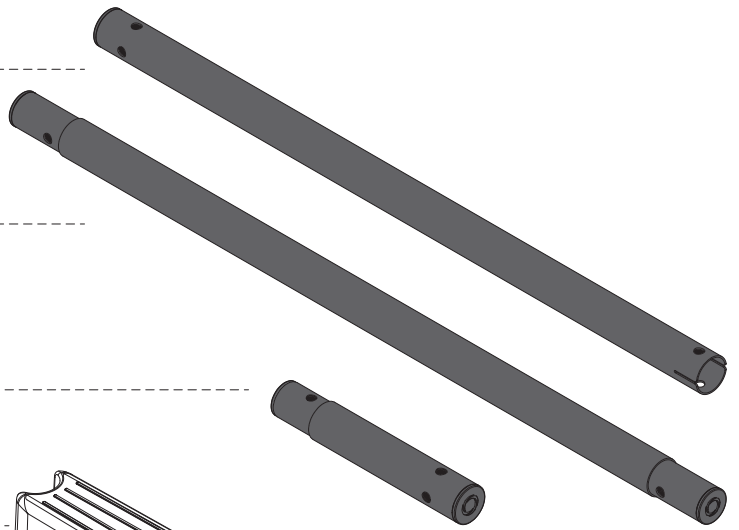
BOX PM2

H1 x2

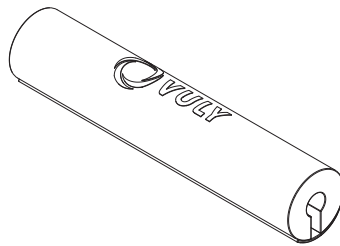
H2 x1

H5 x1

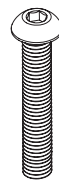
PLASTIC STEP x2



x2
**CROSS BRACE
ADJUSTER**



x2
FOAM COVER



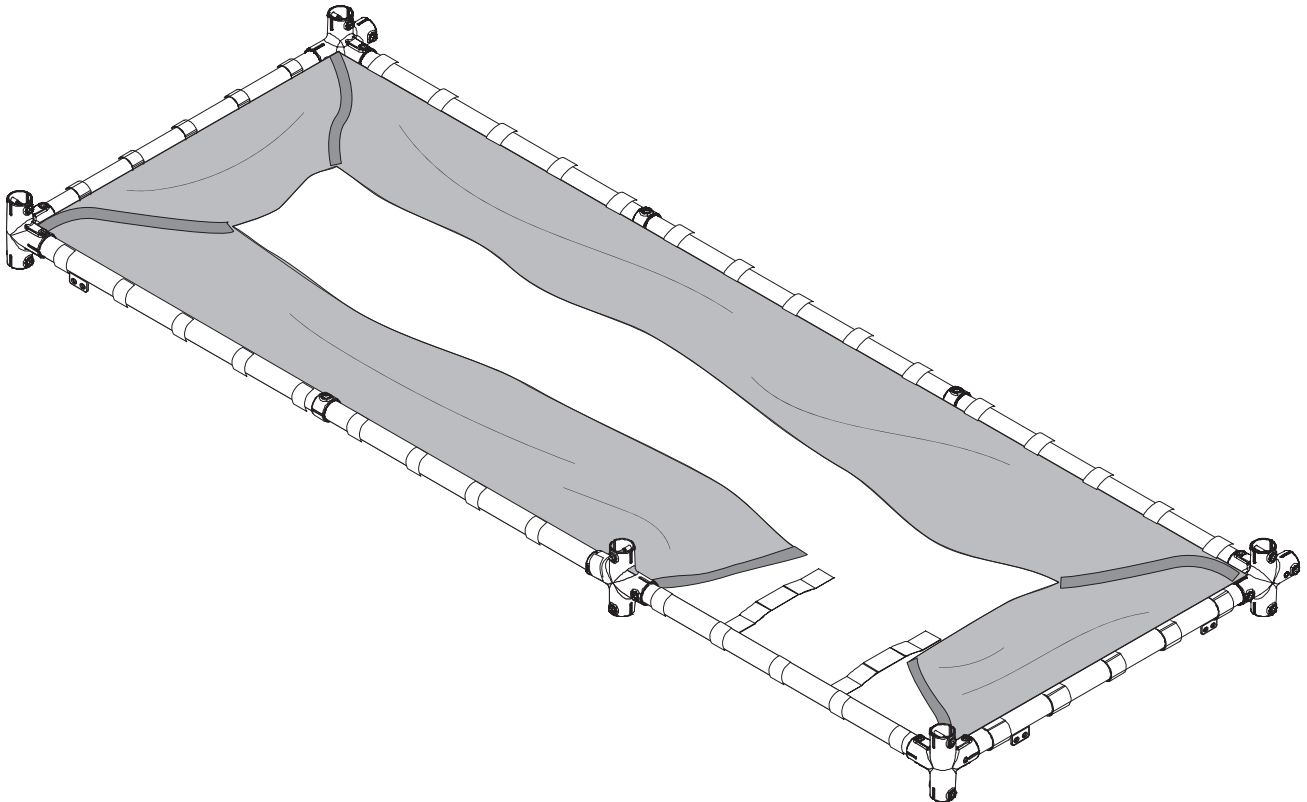
x8
M8*40



4.0. Assembly Instructions

4.1. HIDEOUT ASSEMBLY

ENSURE THAT AS YOU ASSEMBLE THE PRODUCT, YOU FIRMLY TIGHTEN ALL NUTS AND BOLTS, UNLESS DIRECTED.



Required Components

Poles

- V1x1
- V1Rx2
- H1x2
- H1Rx1
- H2x1
- H3x1

Joiners

- 4 Wayx2
- 5 Wayx2
- Cross Joinerx1
- Tube to Tubex3

Fasteners

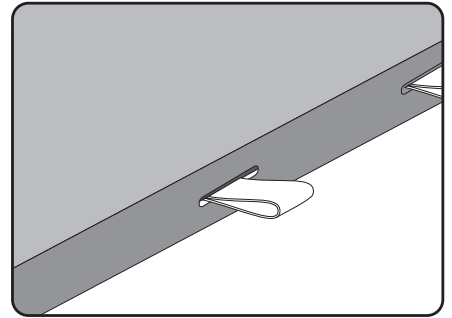
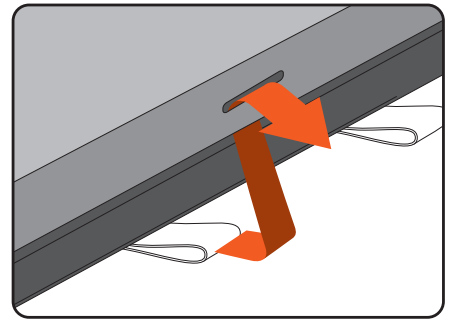
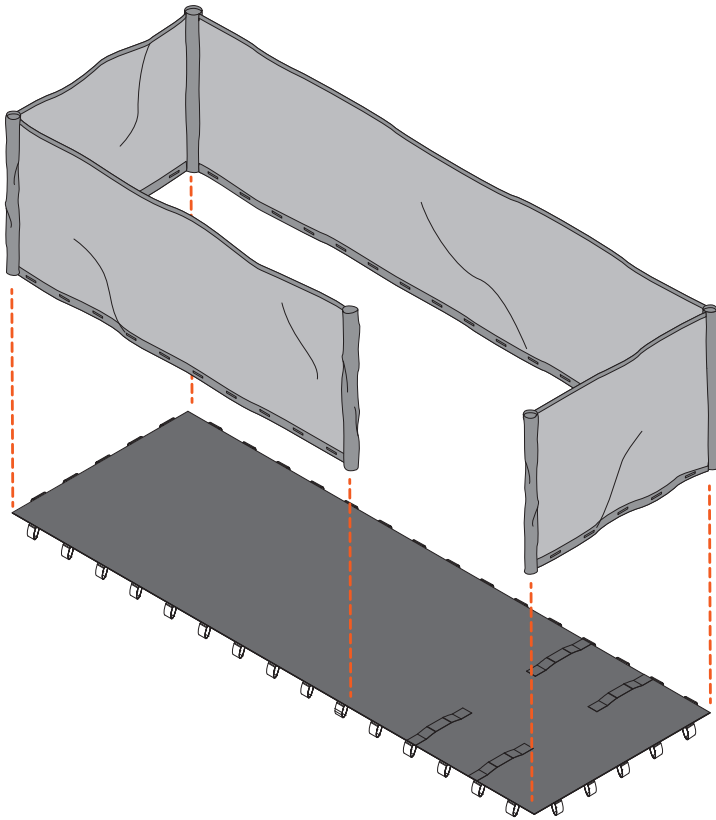
- M8*50x13
- Hex Barrel Nut x10
- Round Barrel Nutx3

Tools

- 6mm Allen Keyx1
- 5mm Allen Keyx1



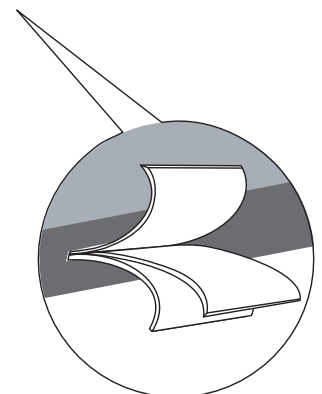
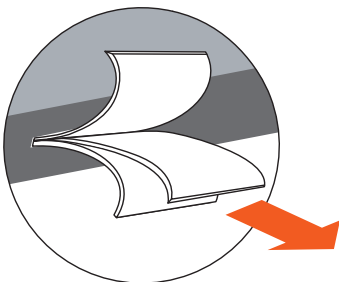
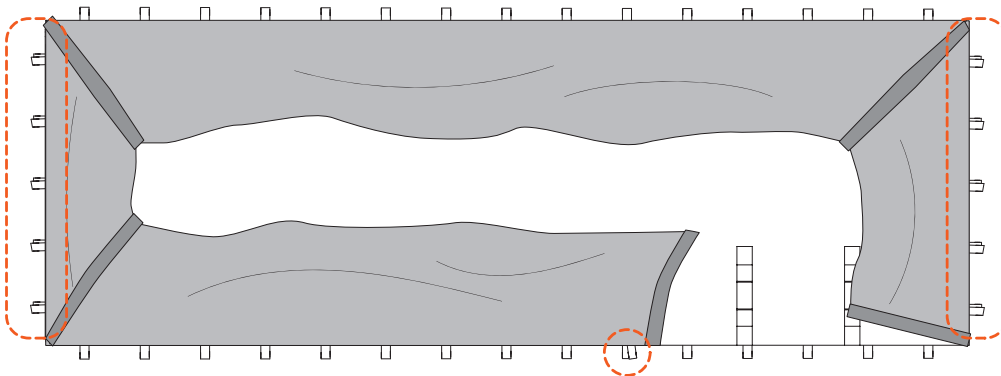
1



NOTE: Ensure safety net entrance is aligned to overpass handles



2



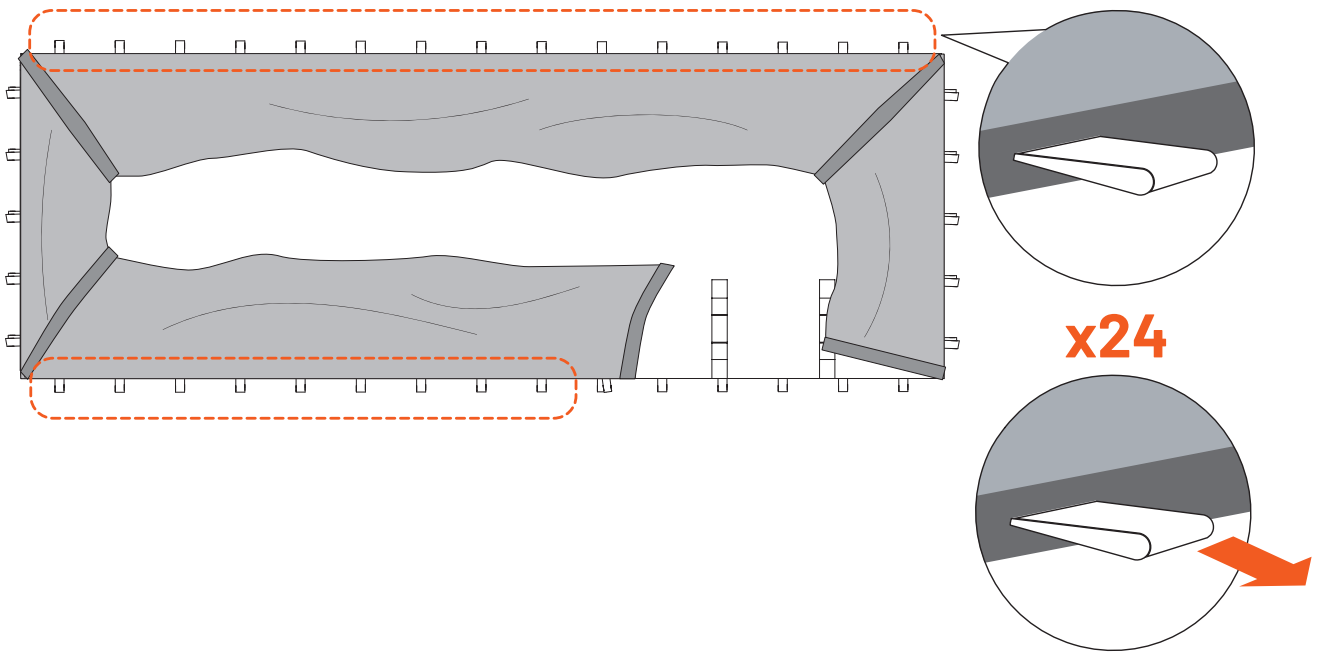
x12



WARNING! Ensure that all velcros are threaded through the safety net before continuing

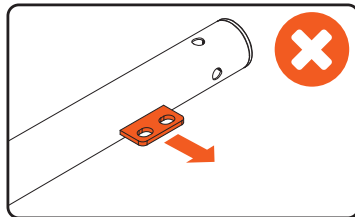
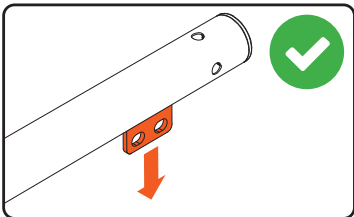
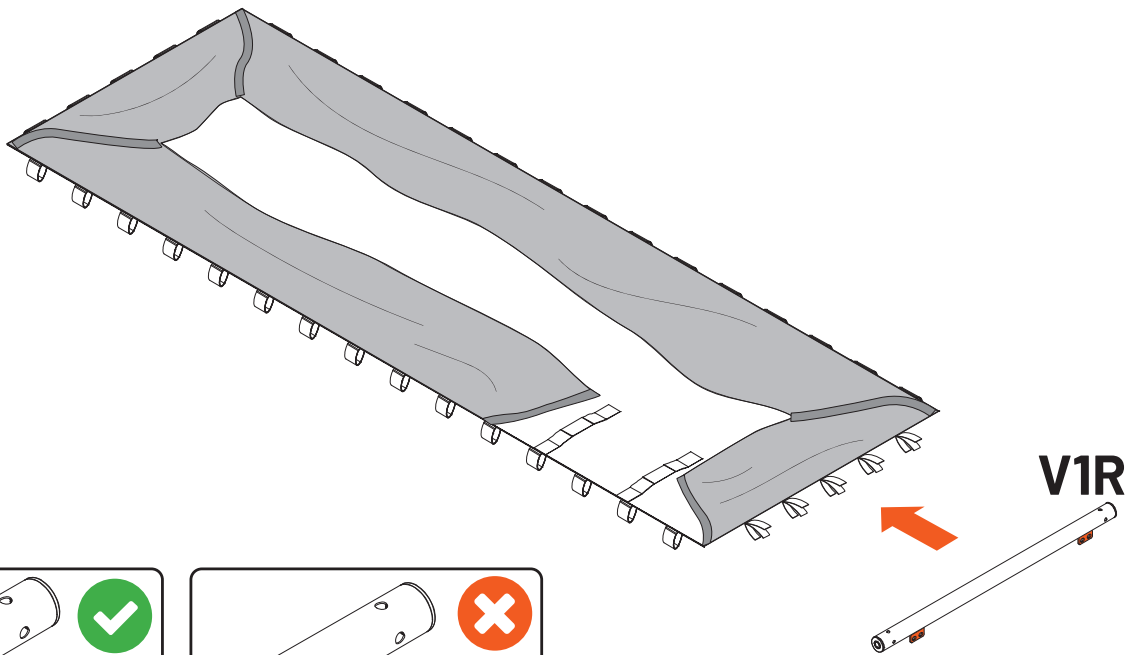


3

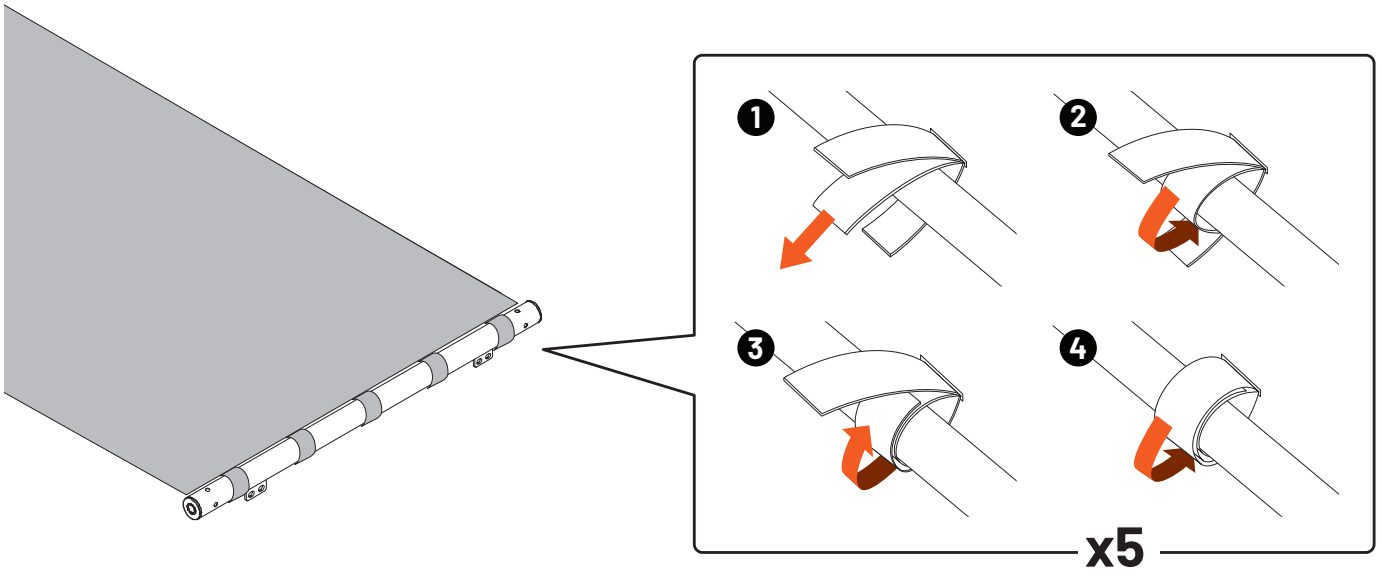


 **WARNING!** Ensure that all loops are threaded through the safety net before continuing 

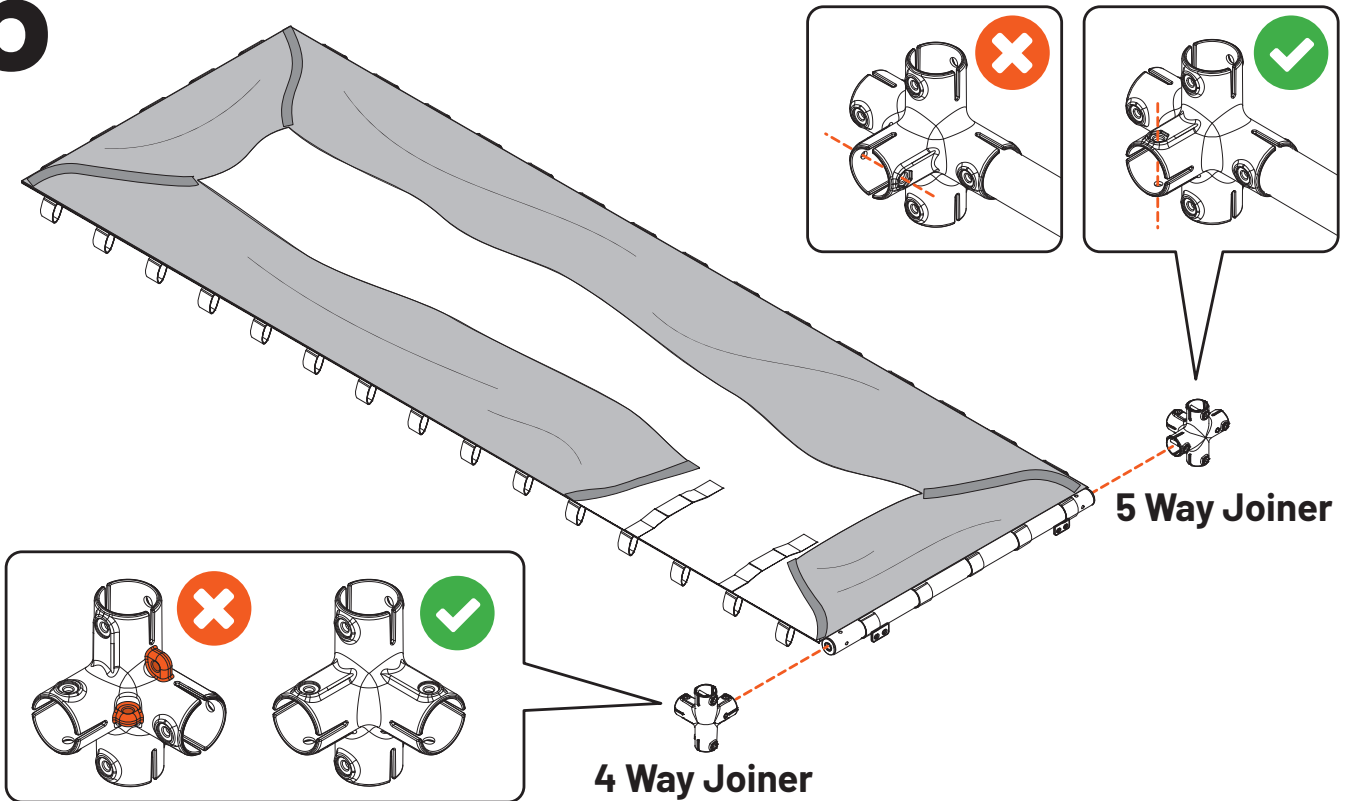
4



5



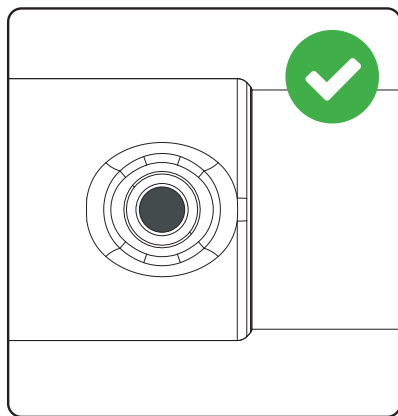
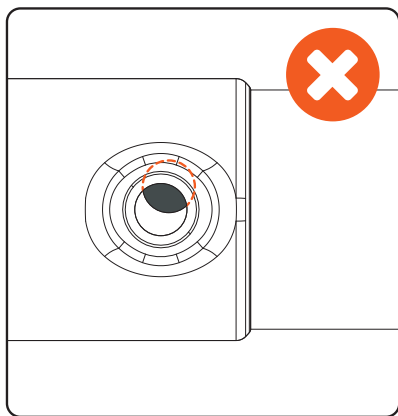
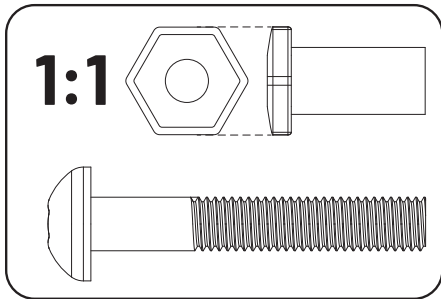
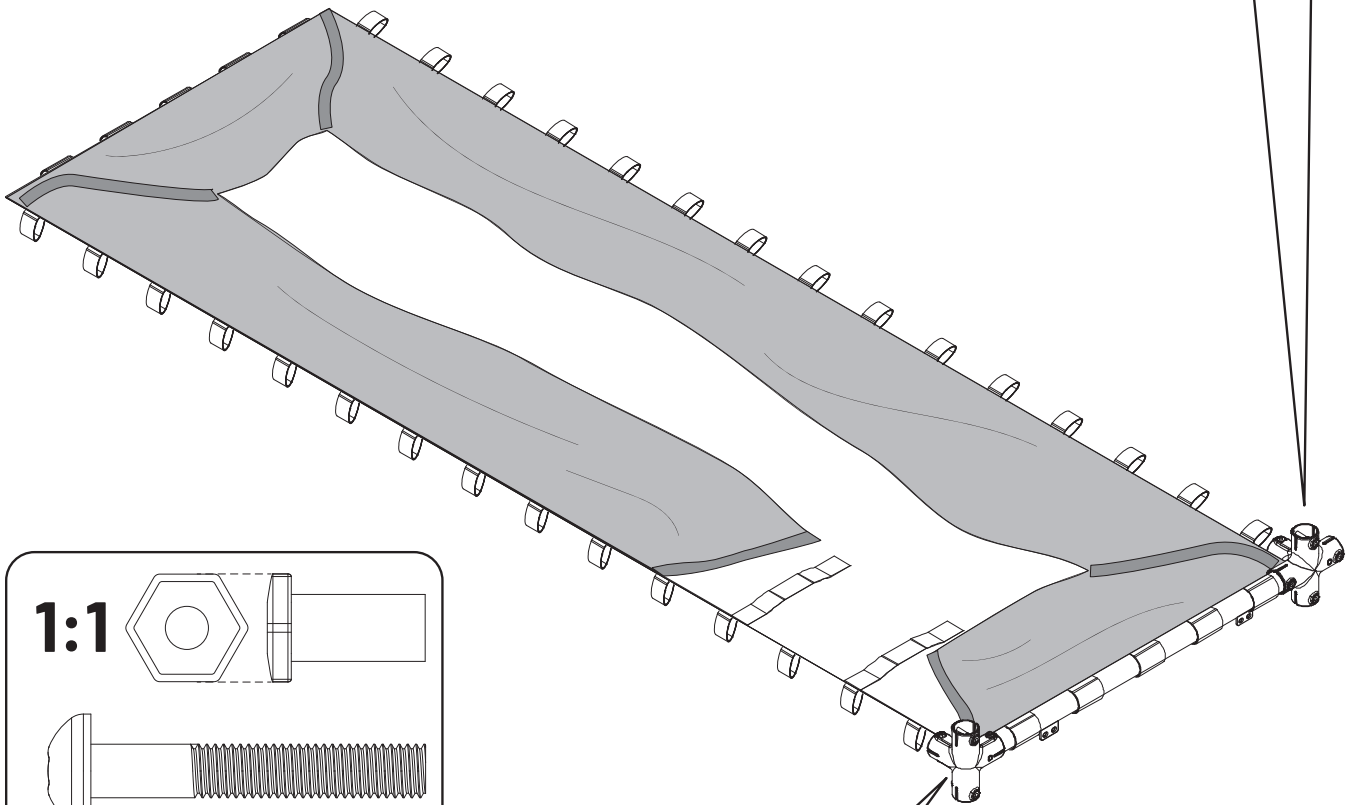
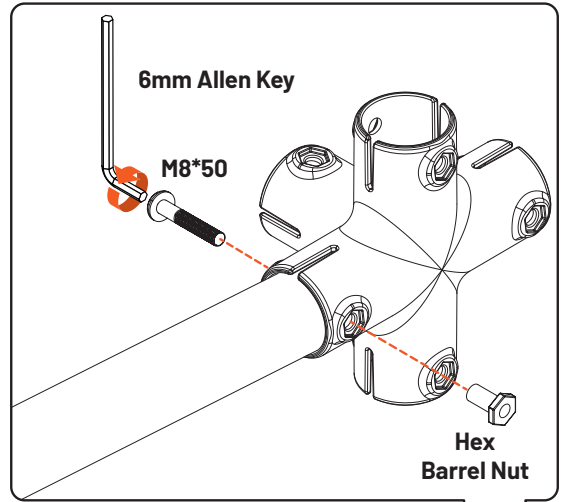
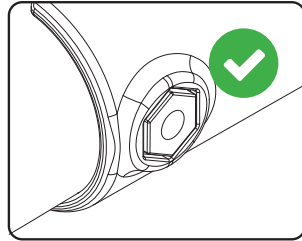
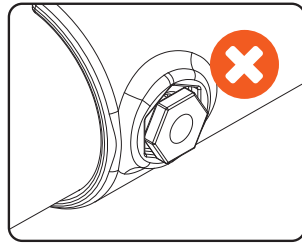
6



WARNING! Ensure that regular 4-Way Joiner **without** cross brace loops are used. Note orientation



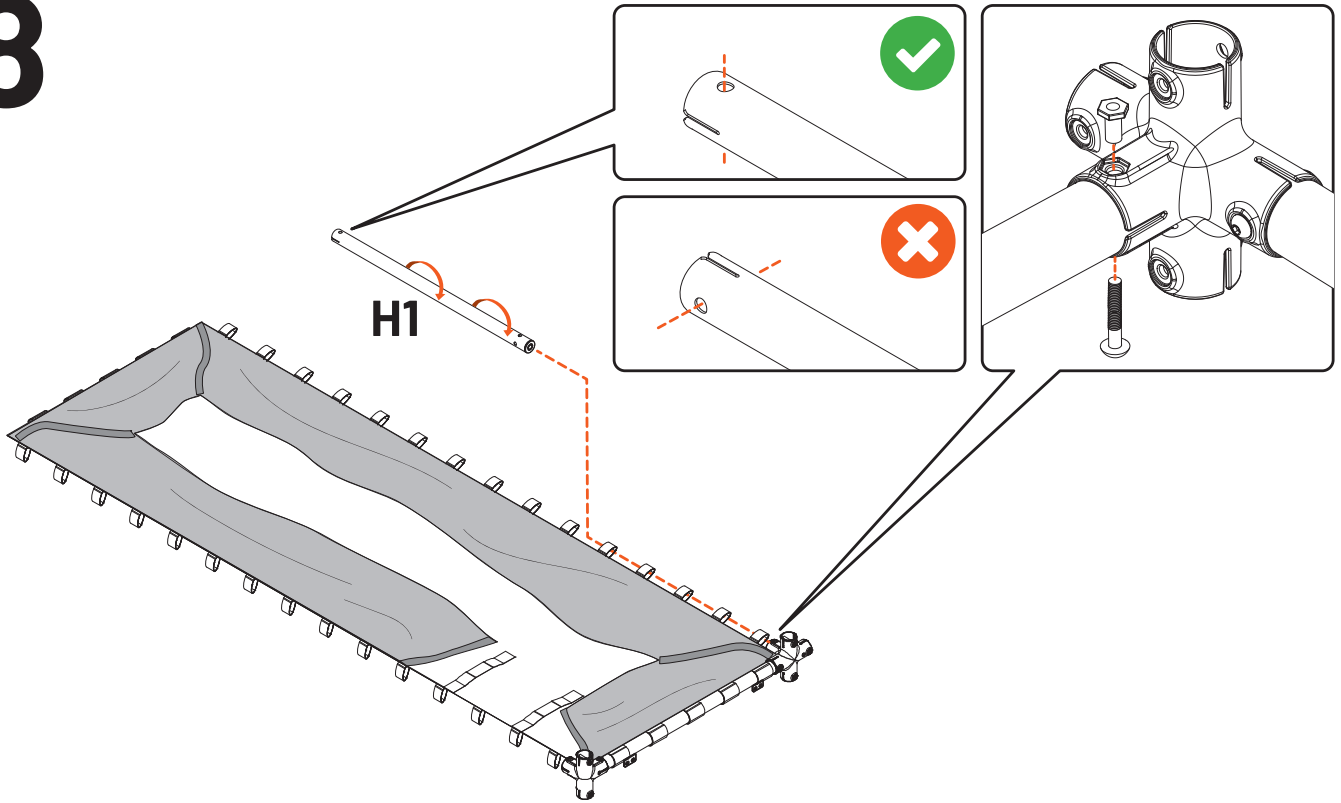
7



NOTE: Ensure that Holes between the Tubes and Joiners are correctly aligned



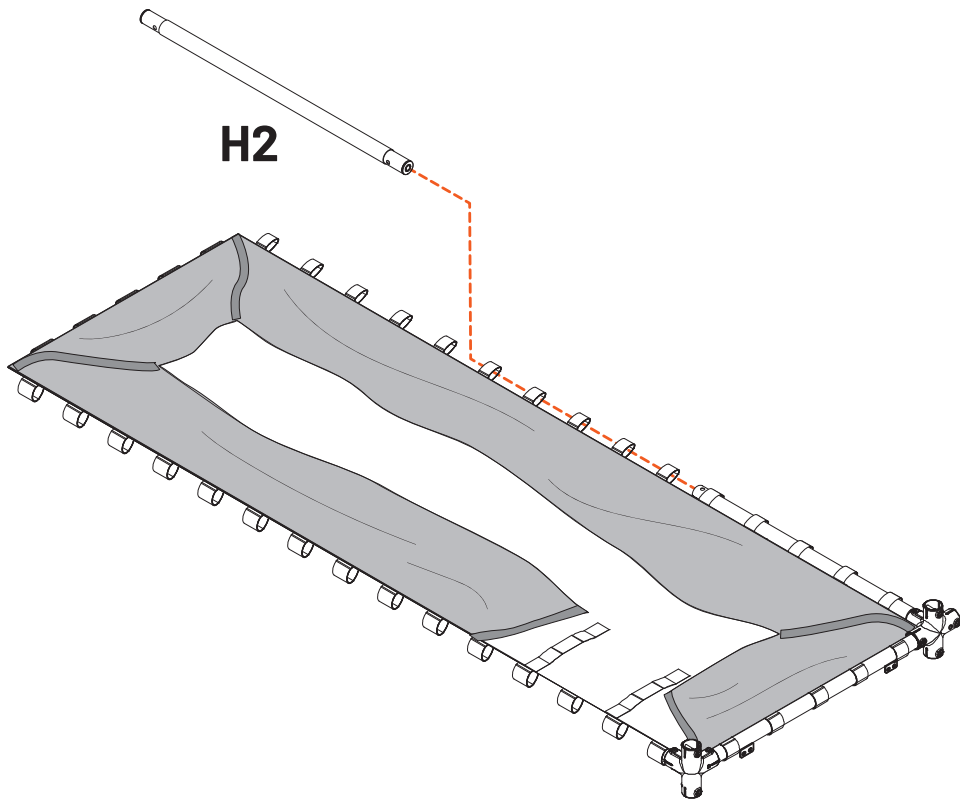
8



NOTE: For best results, push tube through overpass loops using a twisting action

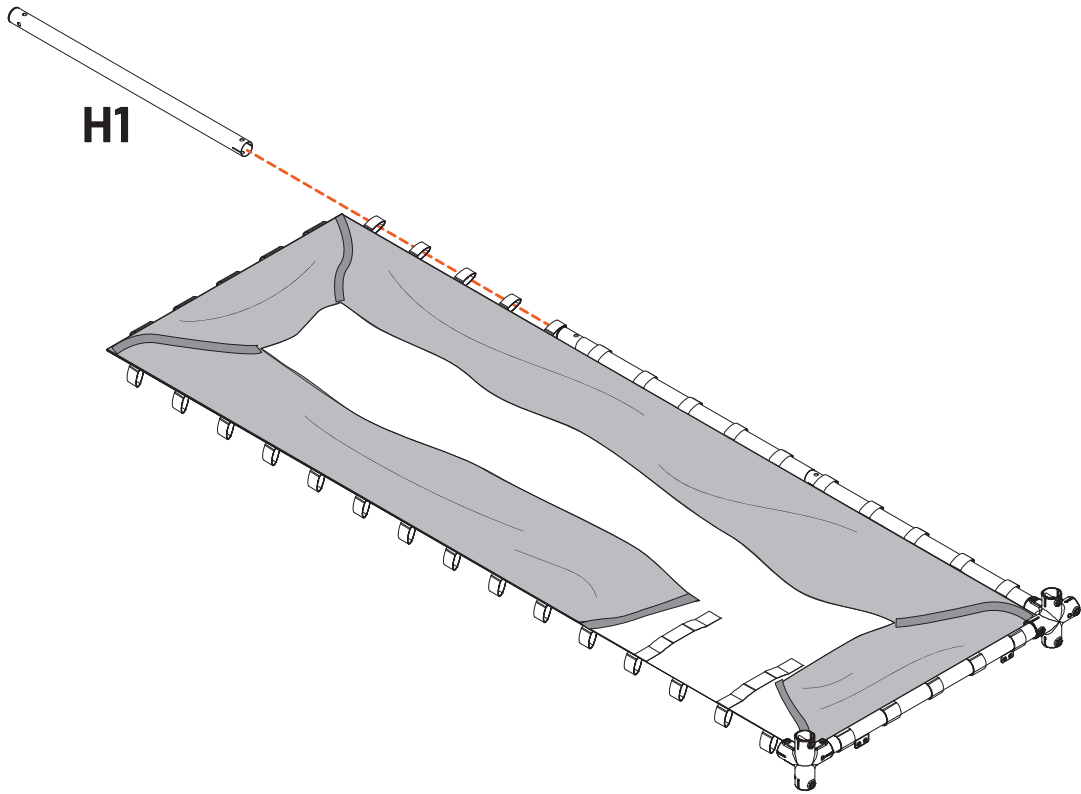


9

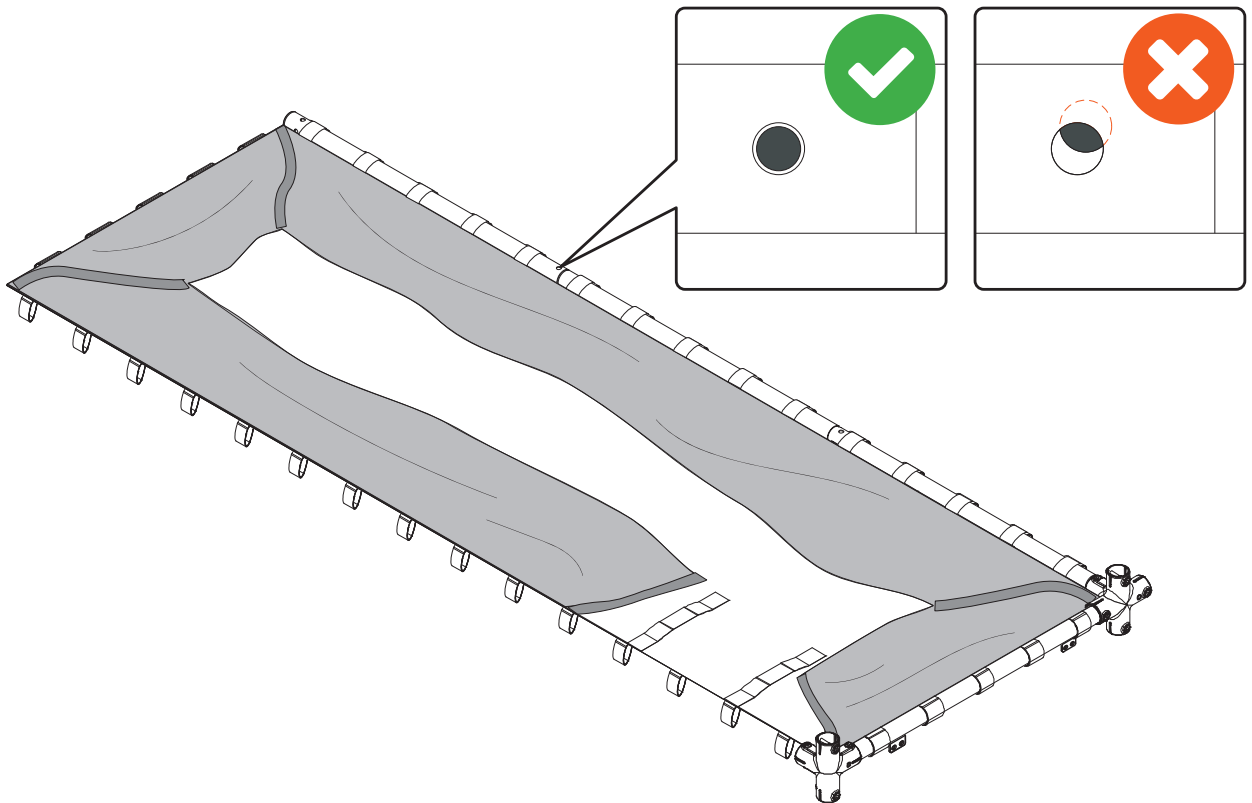


10

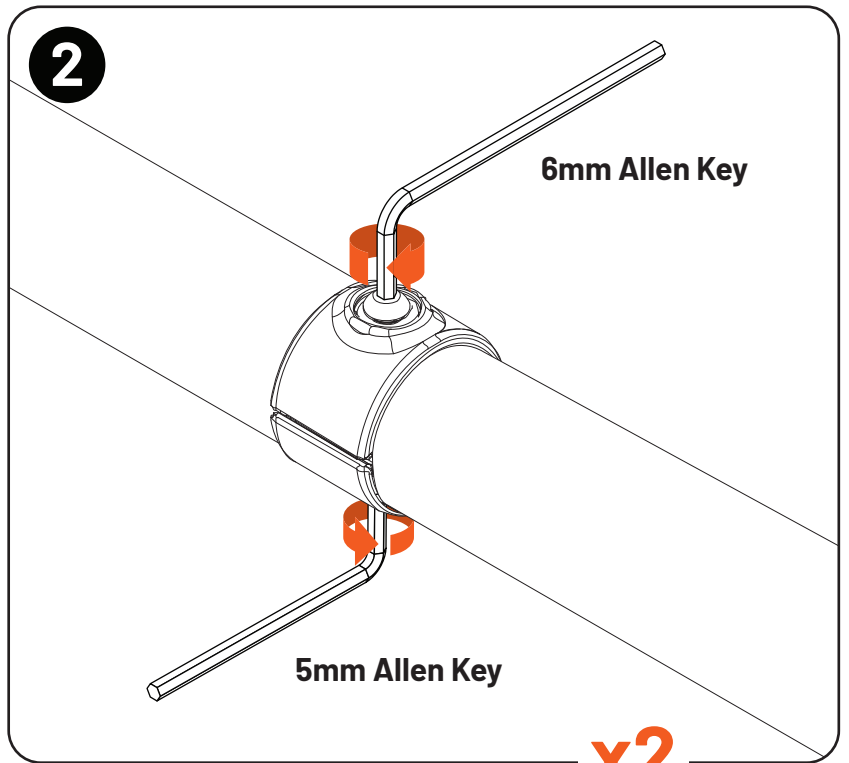
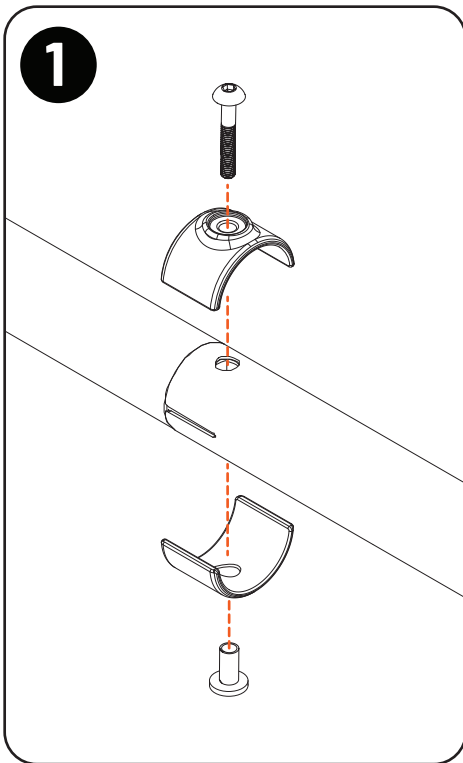
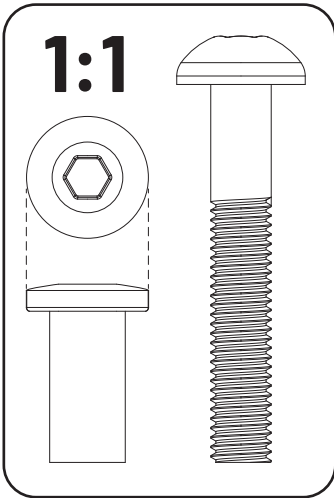
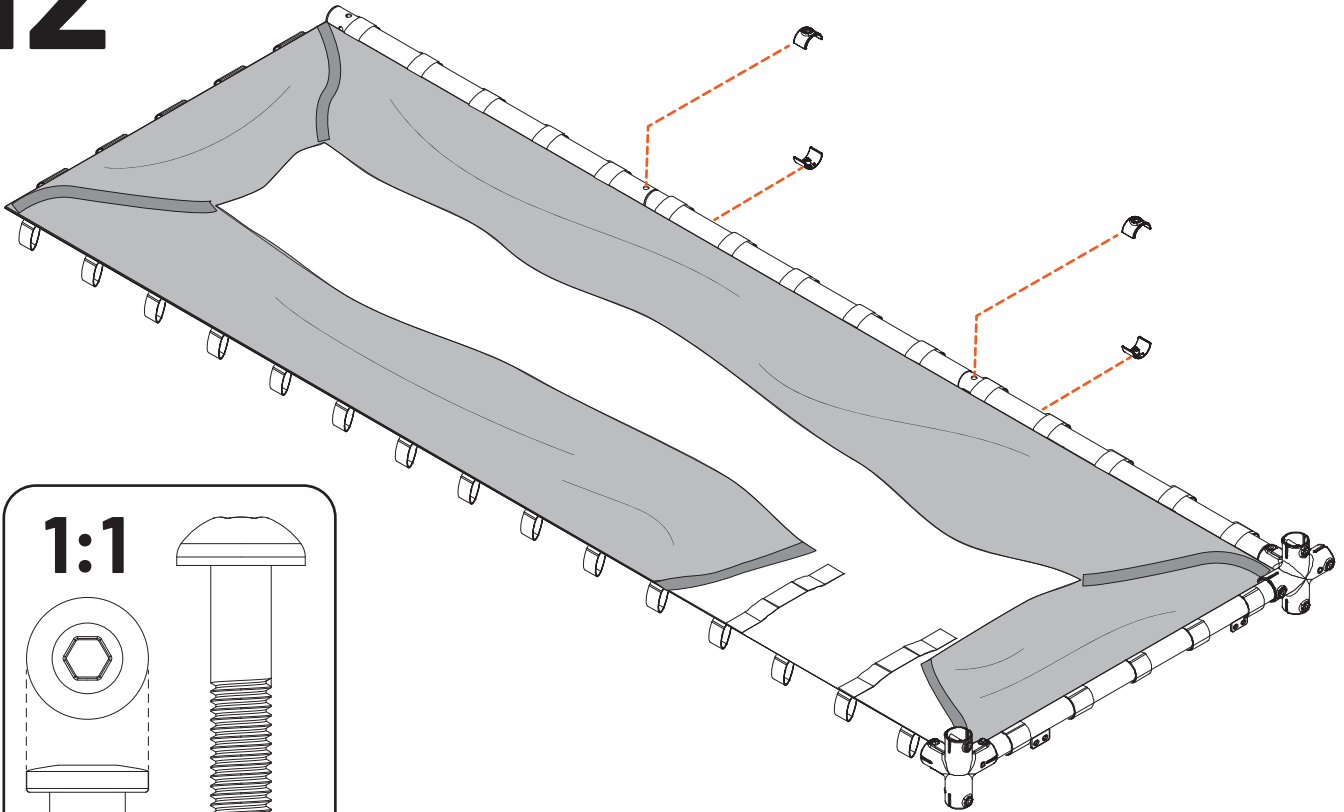
H1



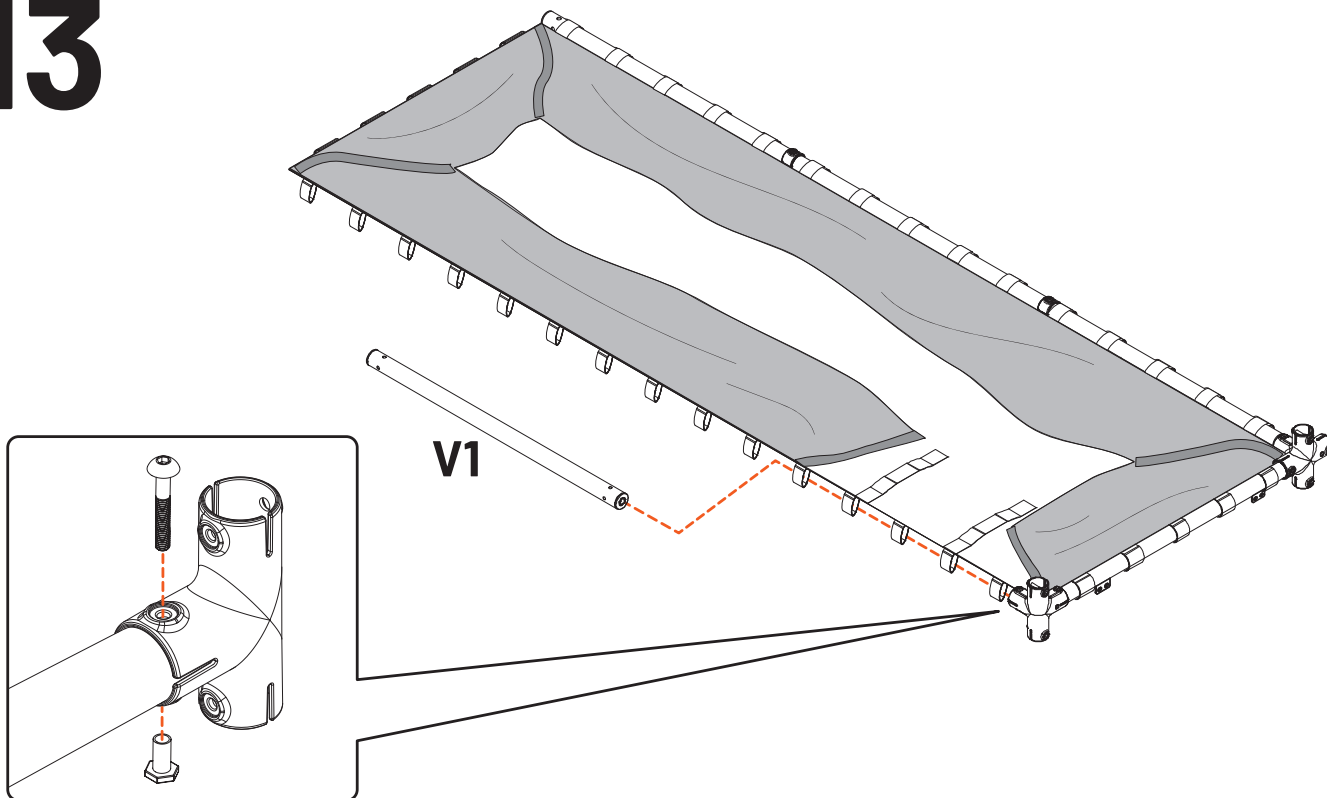
11



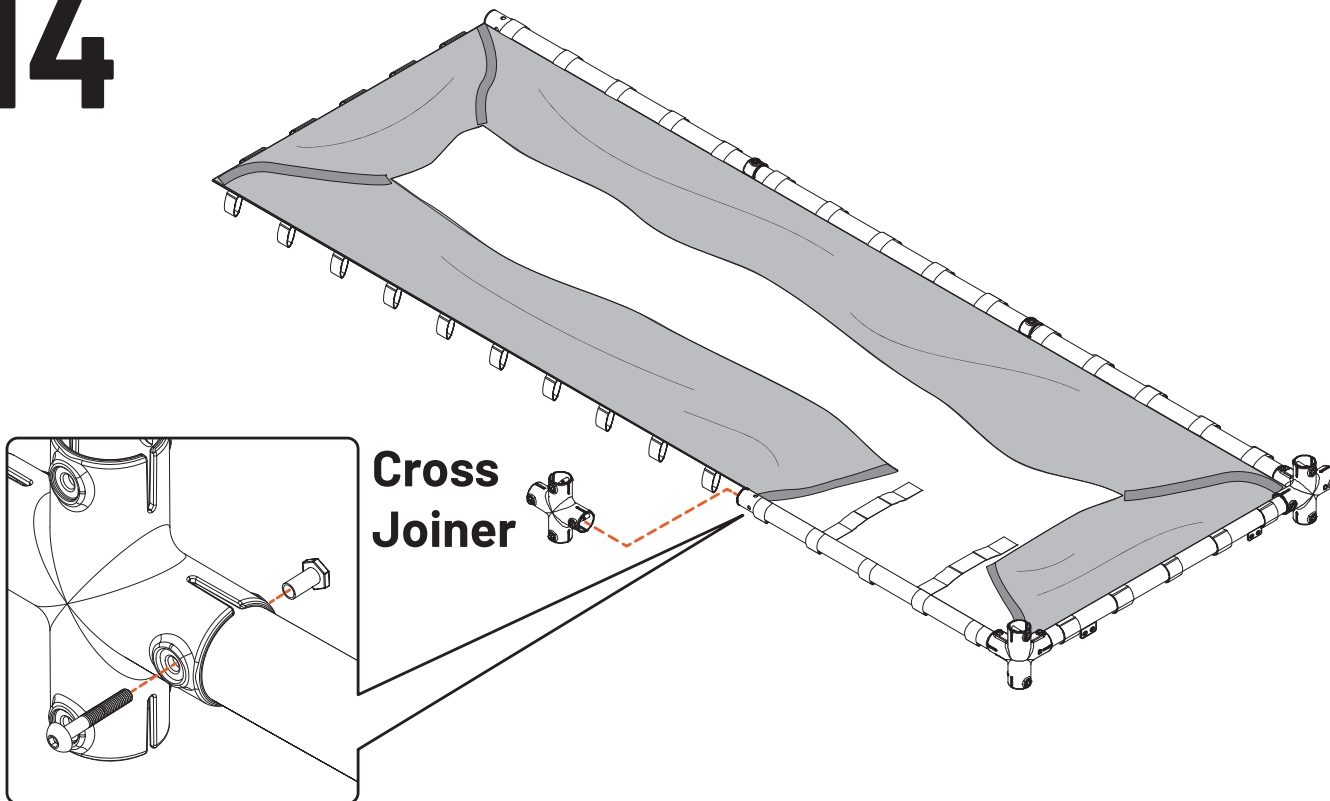
12



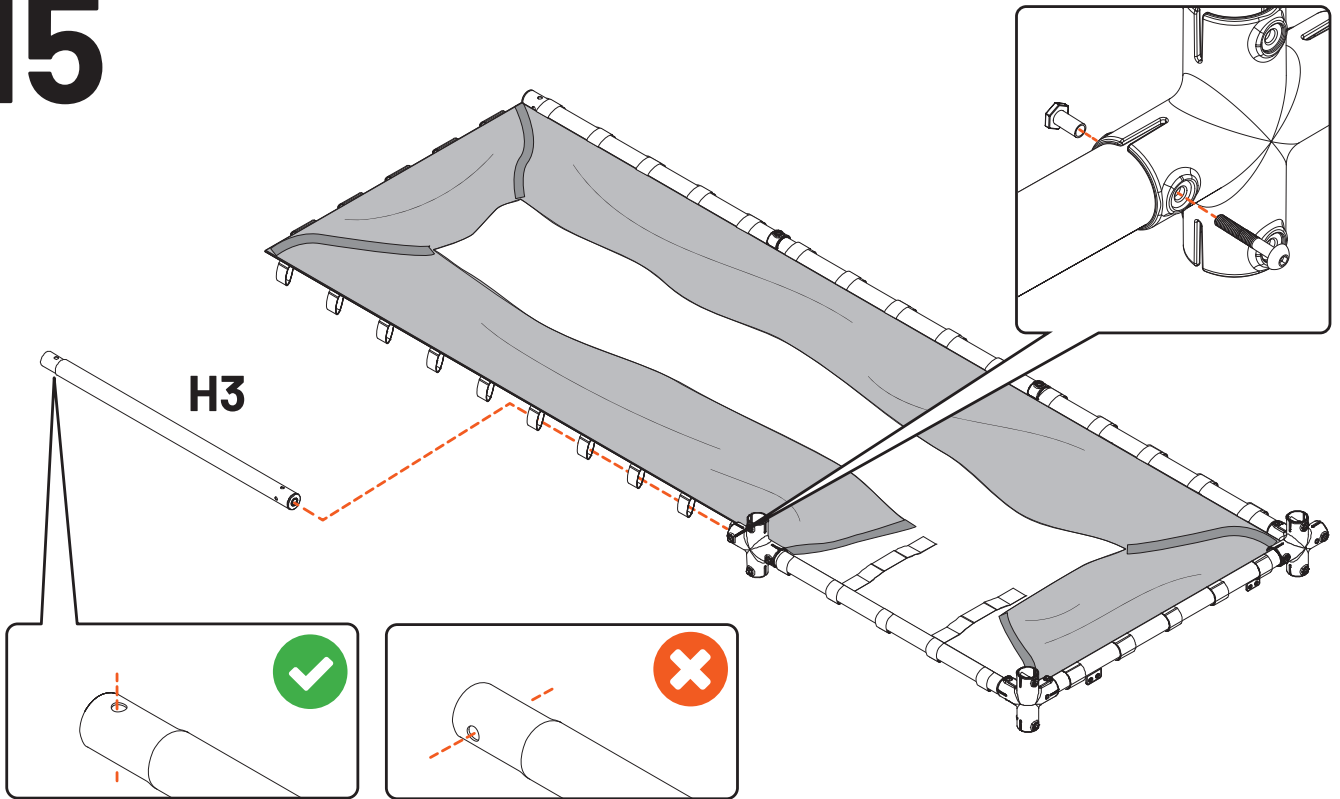
13



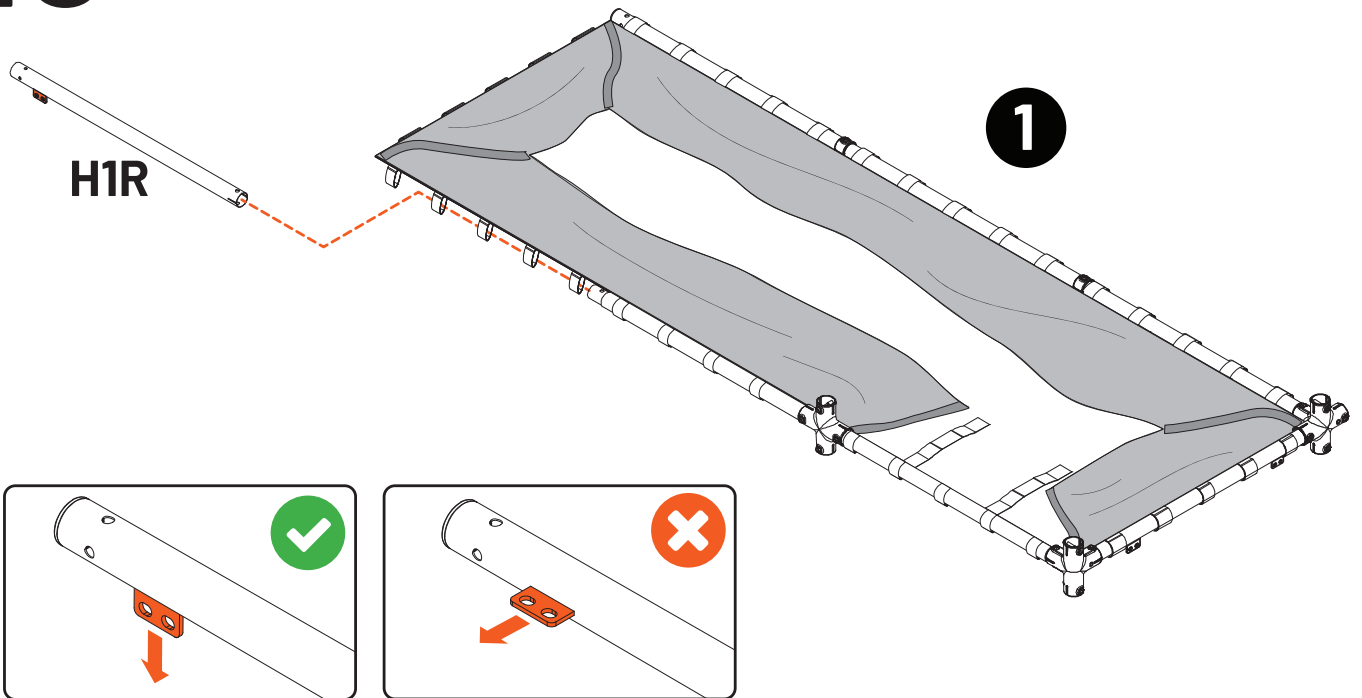
14



15

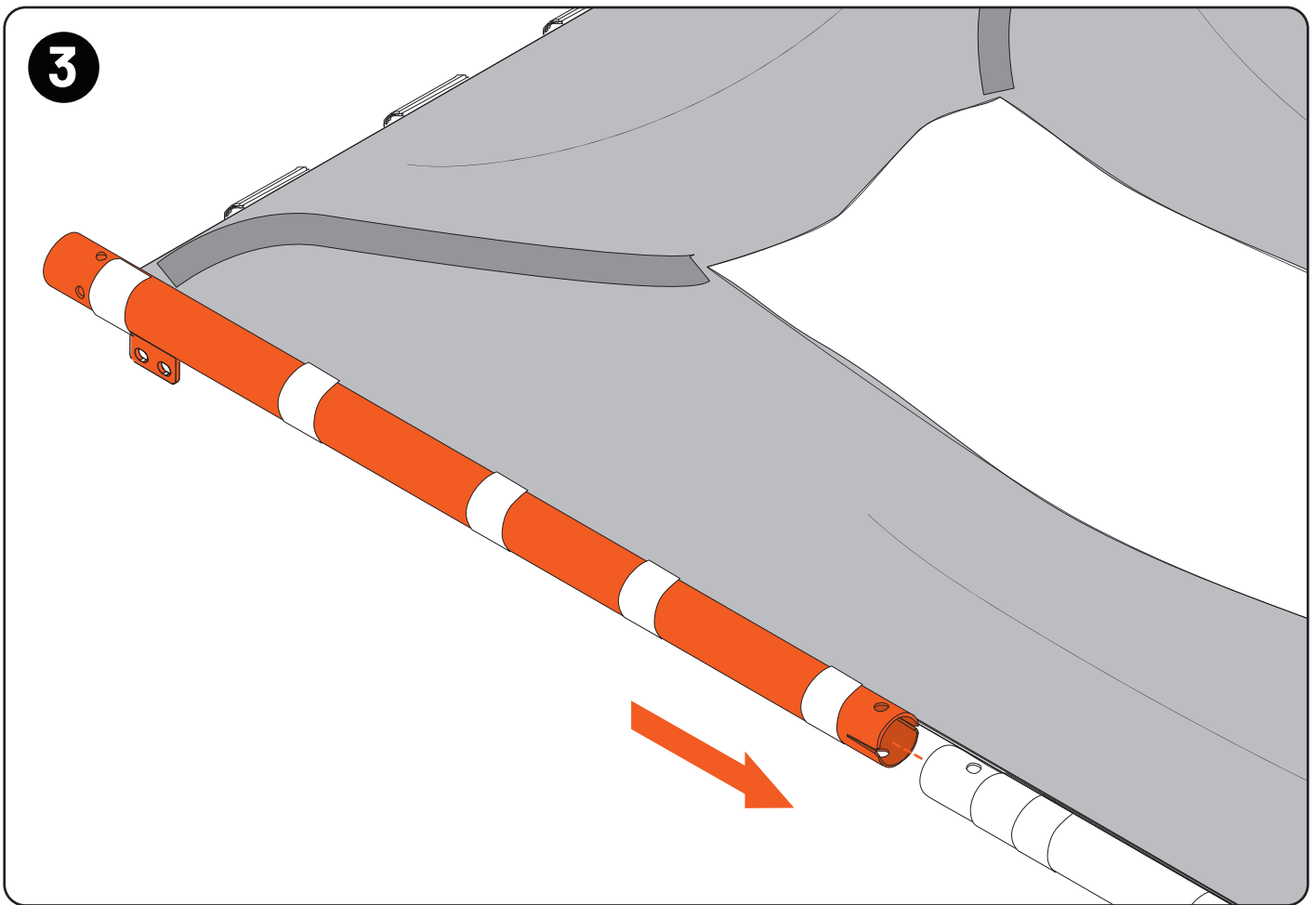
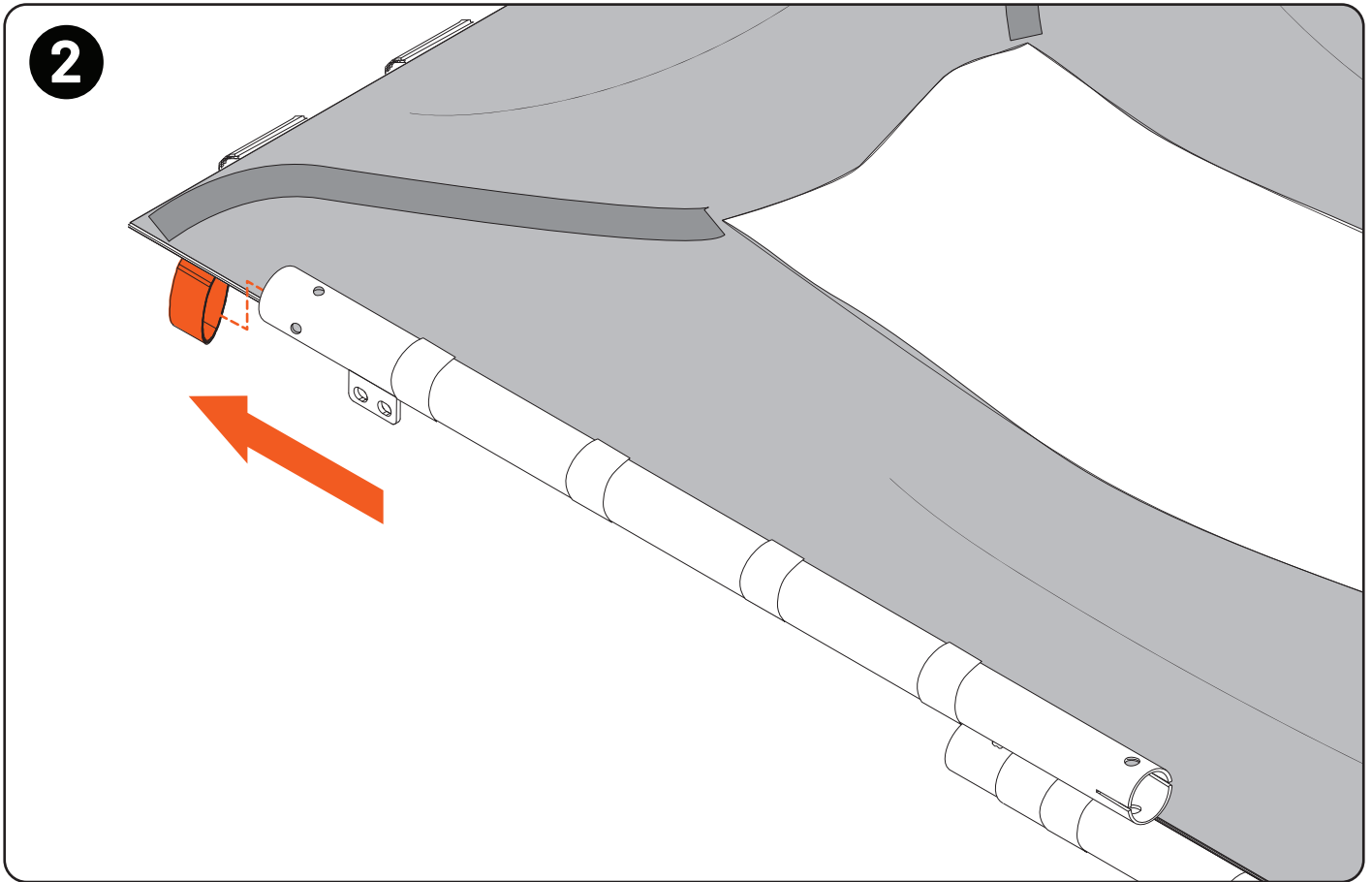


16



WARNING! Insert H1R tube into scissor loop from the end and thread through remaining loops.

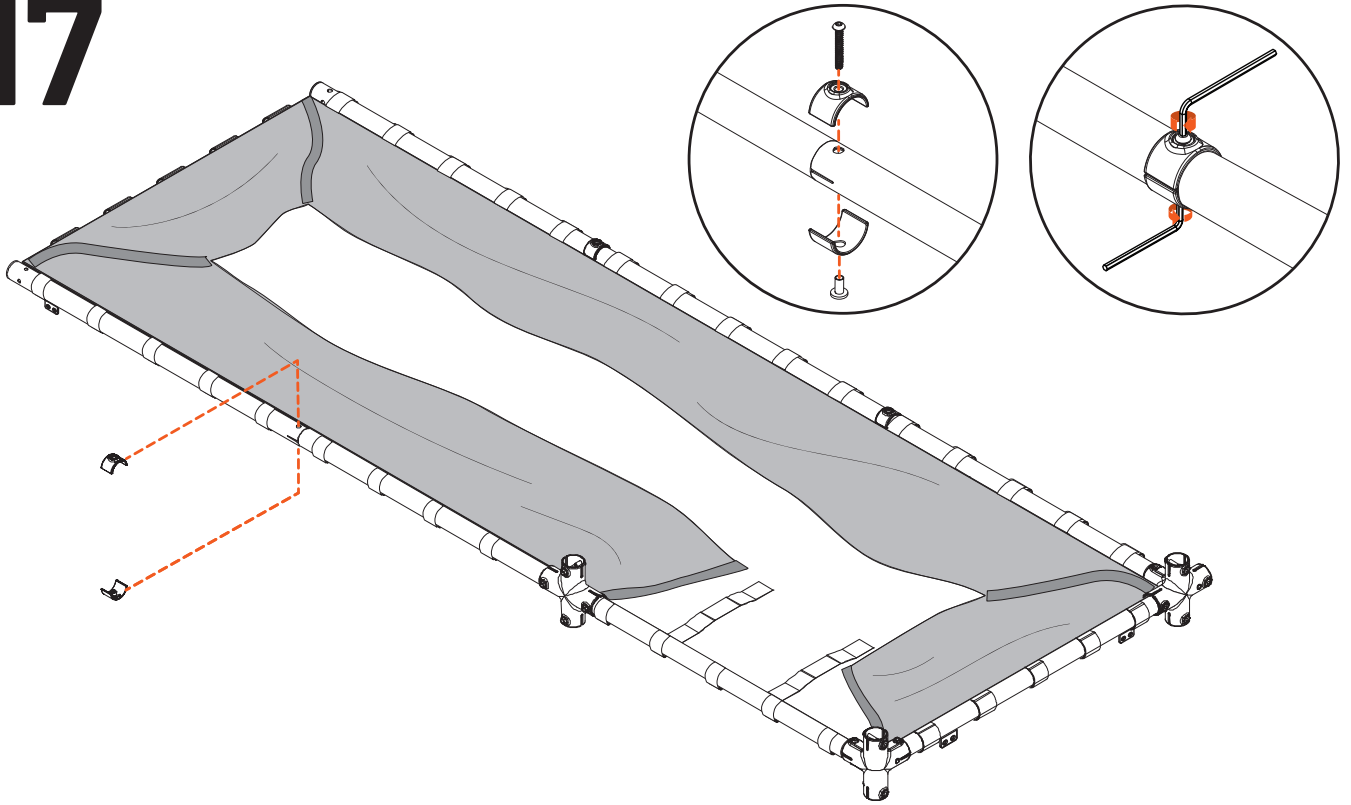




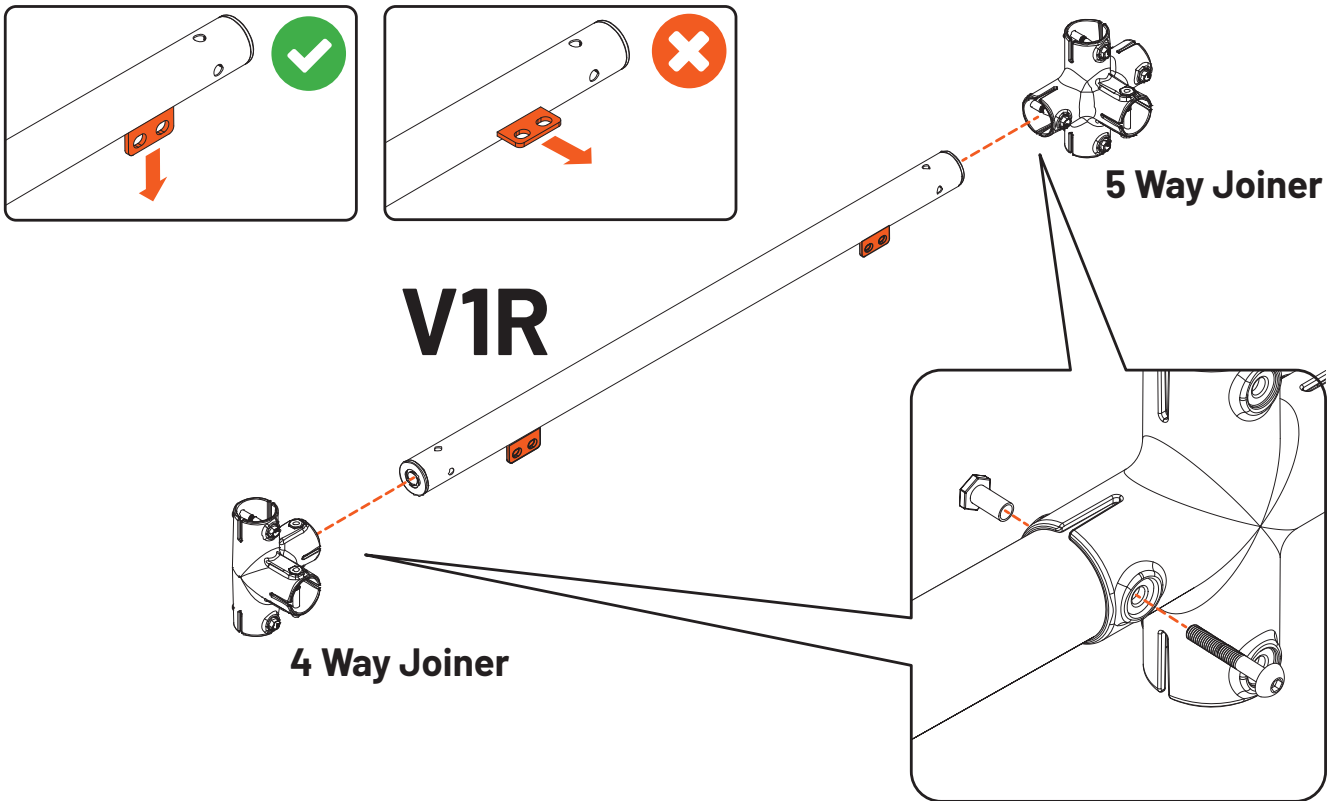
NOTE: Pass the H1R tube back through the first loop until obstructed by the tab then connect to H3



17



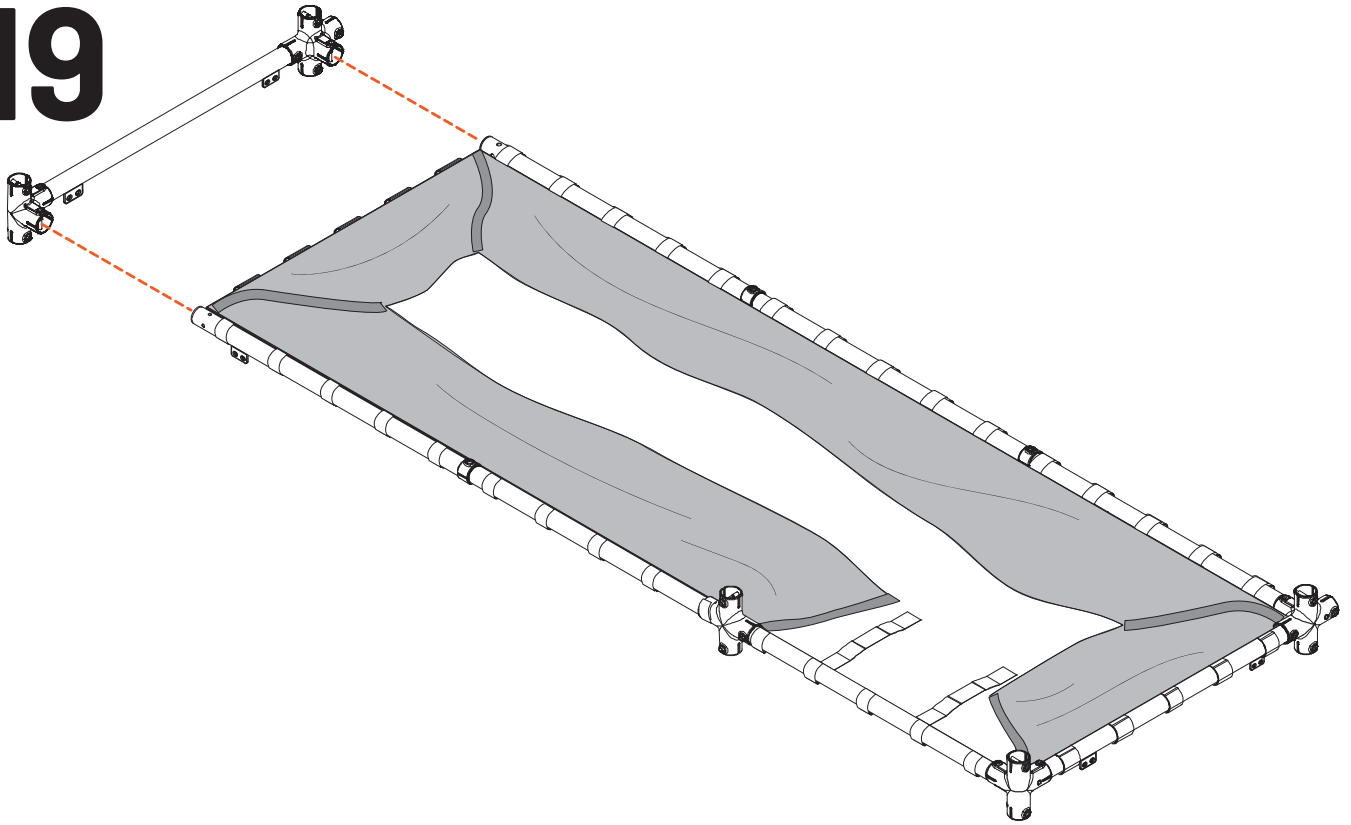
18



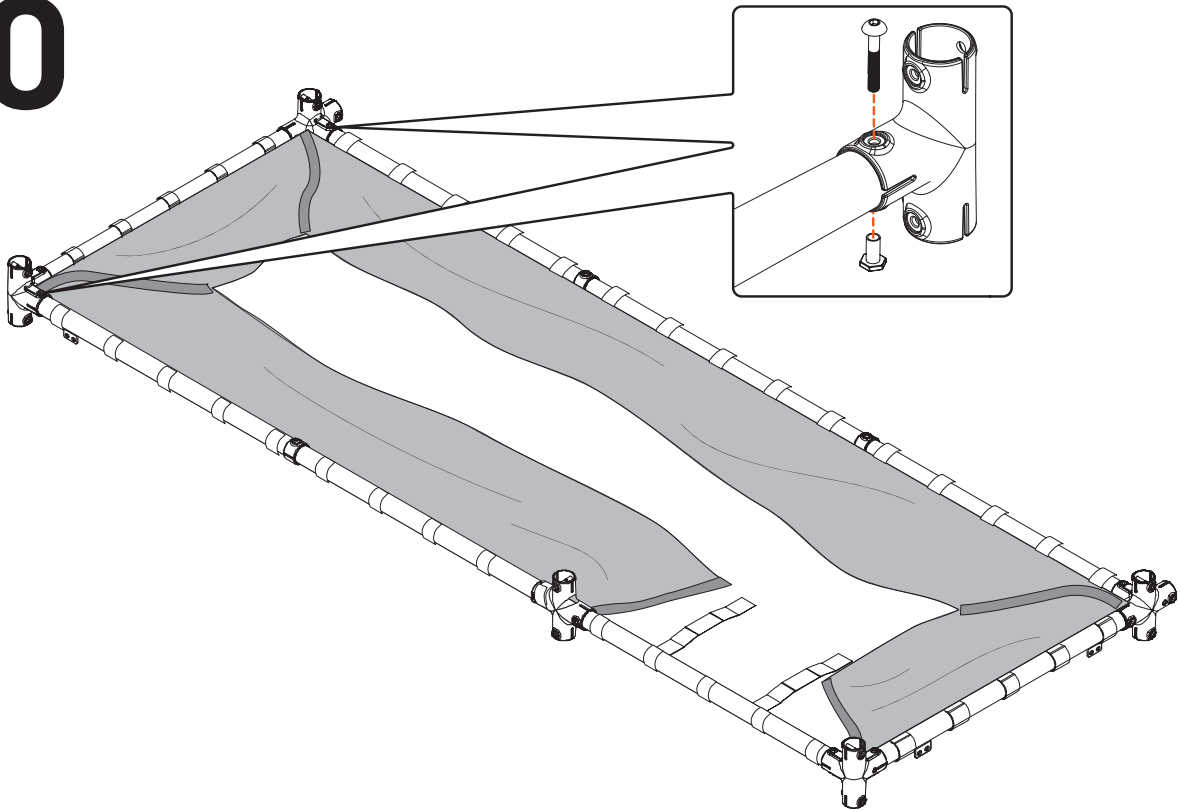
WARNING! Ensure that regular 4-Way Joiner **without** cross brace loops are used. Note orientation



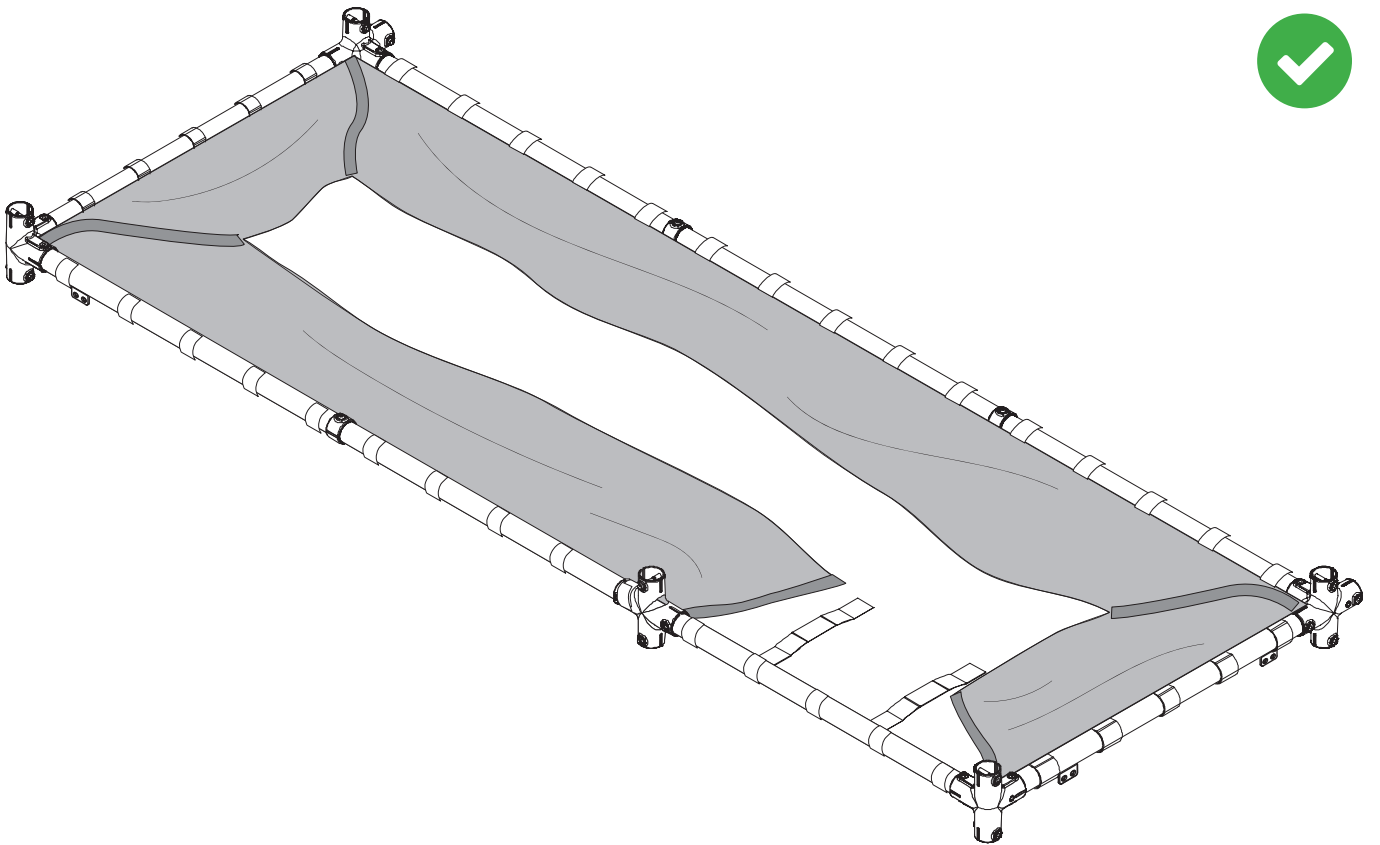
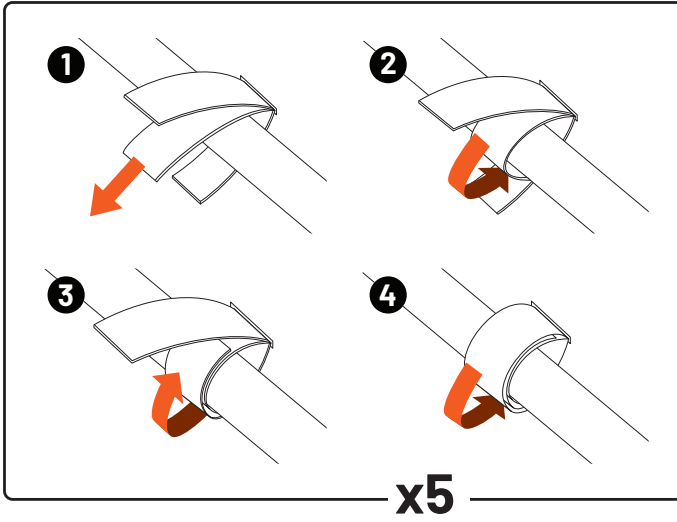
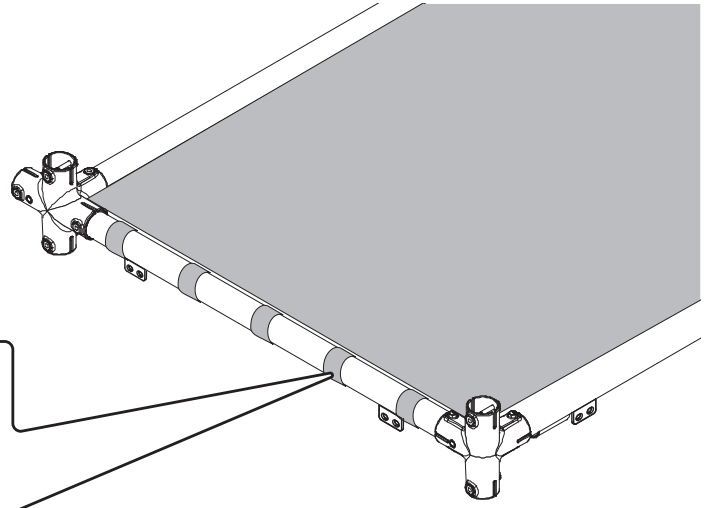
19



20

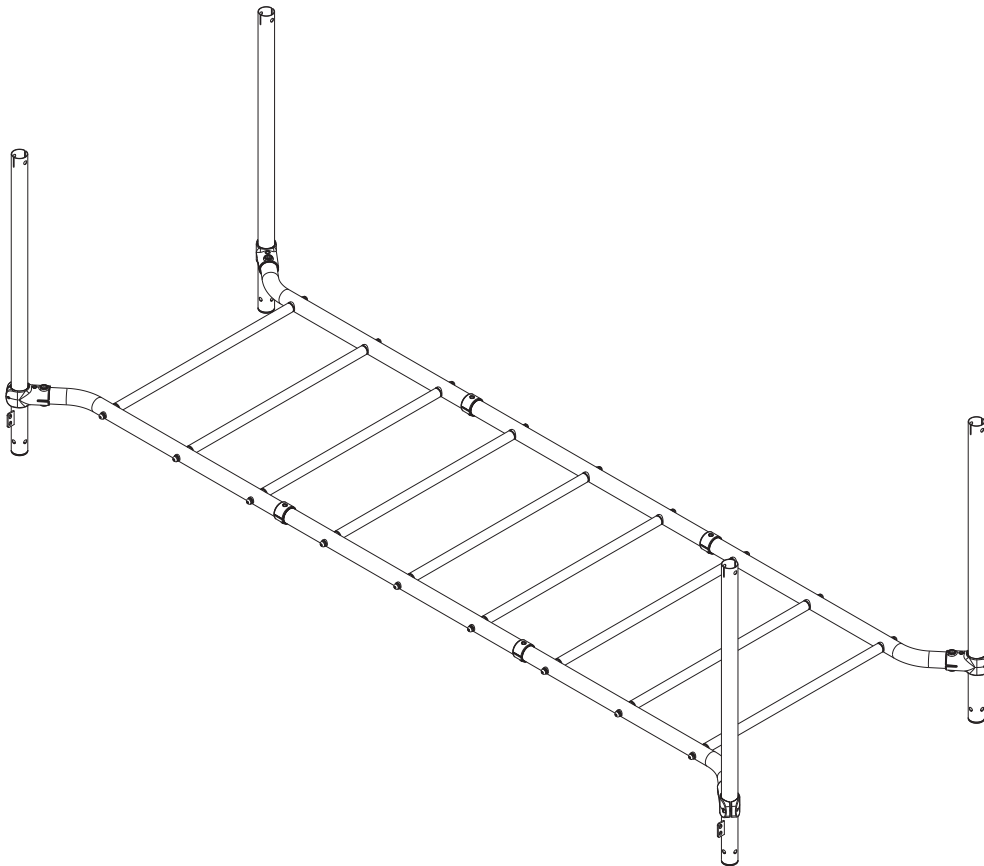


21



4.2. MONKEY BAR ASSEMBLY

ENSURE THAT AS YOU ASSEMBLE THE PRODUCT, YOU FIRMLY TIGHTEN ALL NUTS AND BOLTS, UNLESS DIRECTED.



Required Components

Tubes

- B1x4
- B2x2
- V3x2
- V3Rx2
- R1x9

Joiners

- Adjustable Joinerx4
- Tube to Tubex4

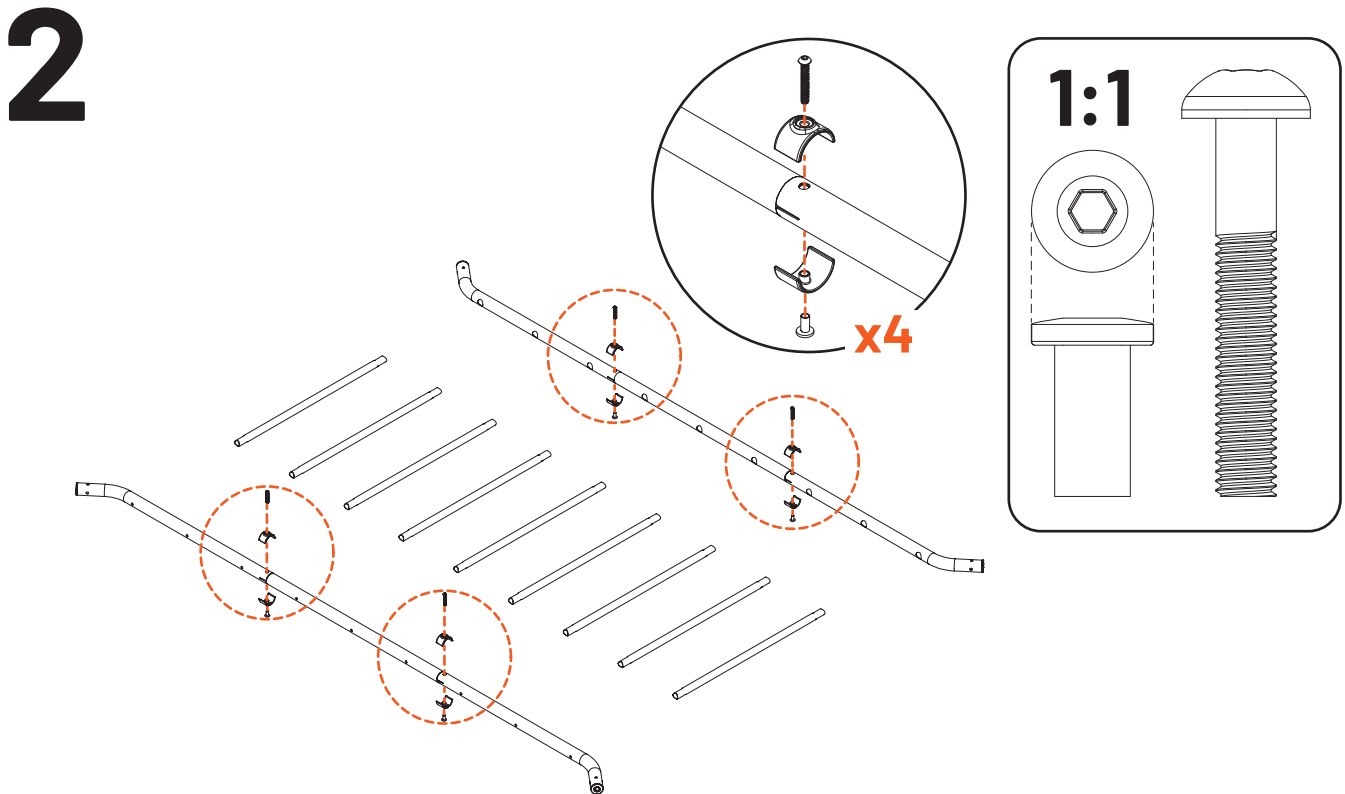
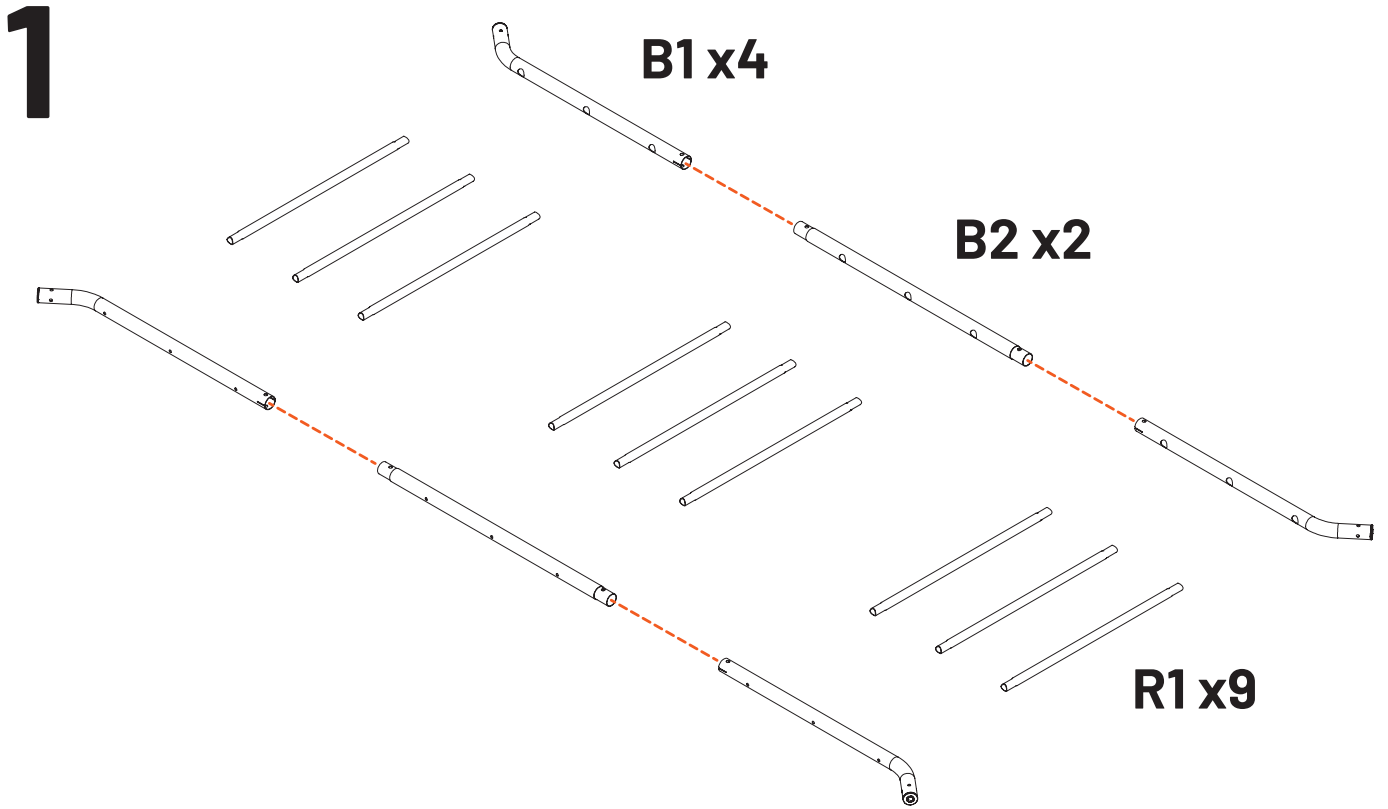
Tools

- 6mm Allen Keyx1
- 5mm Allen Keyx1

Fasteners

- M8*50x8
- M10*45x18
- Plastic Washerx18
- Spring Washerx18
- Hex Barrel Nutx4
- Round Barrel Nutx4
- M8*30x4

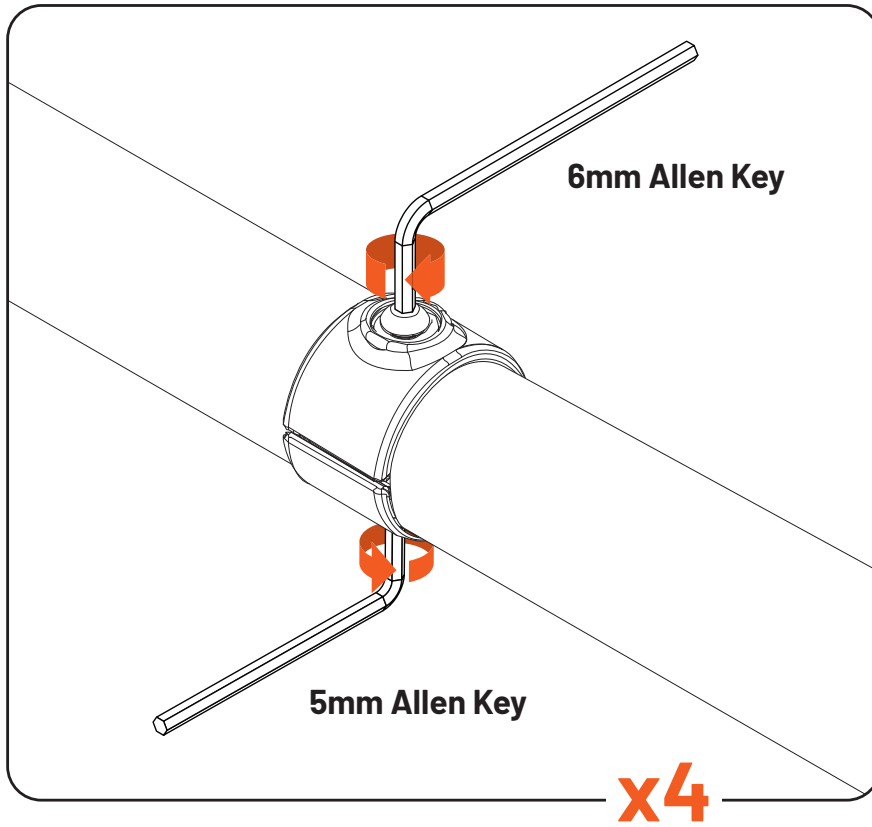




 **WARNING!** Ensure that Round Barrel Nuts are used on Tube to Tube Joiners 



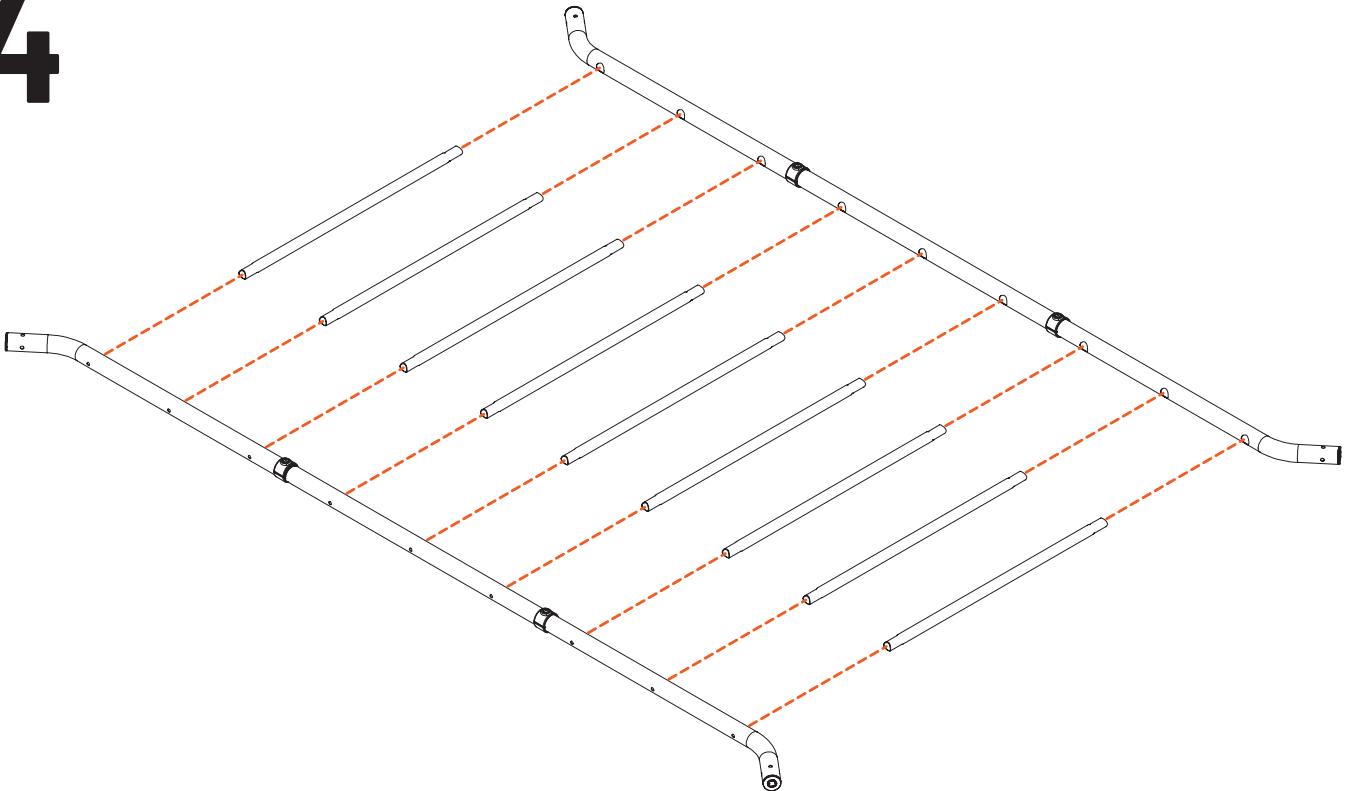
3



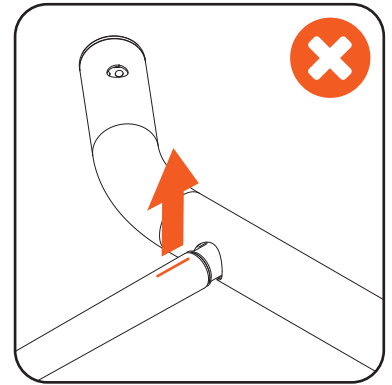
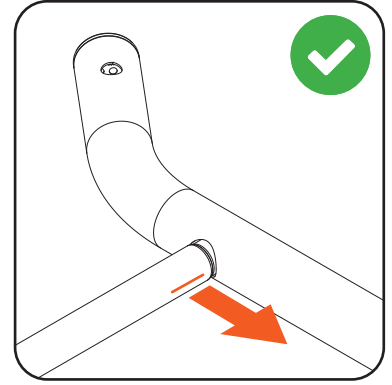
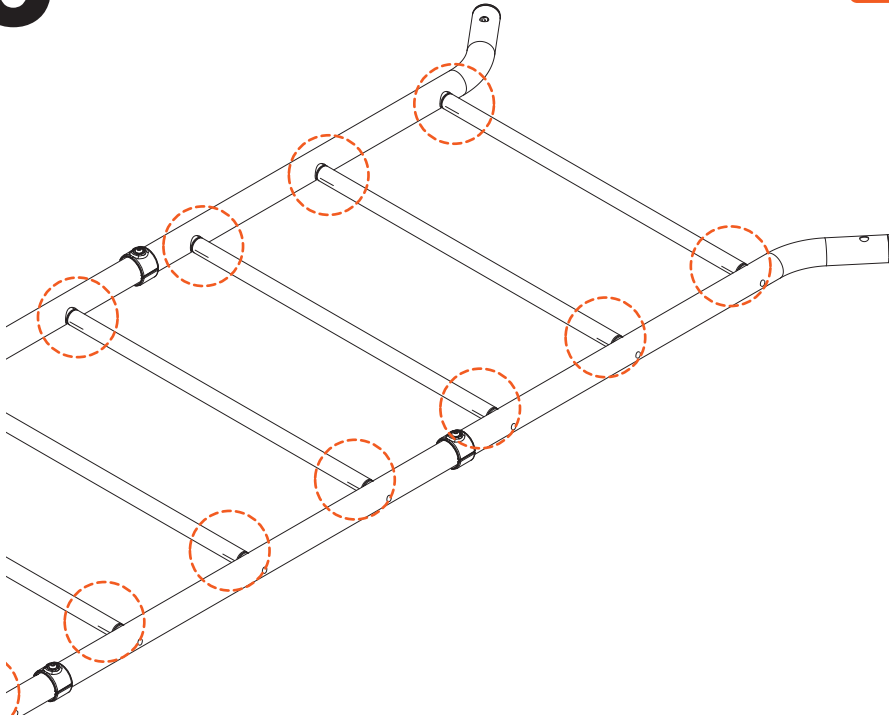
NOTE: Use a 6mm Allen Key on the Bolt and 5mm Allen Key on the Barrel nut when tightening



4



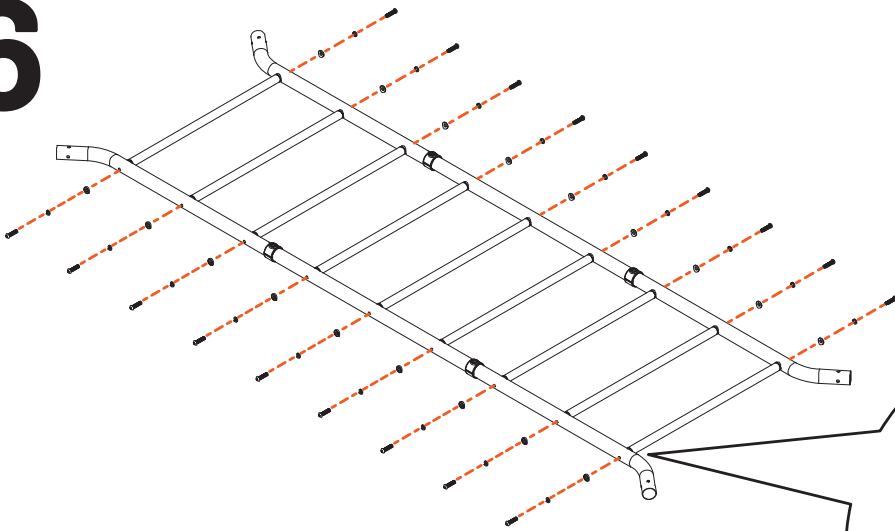
5



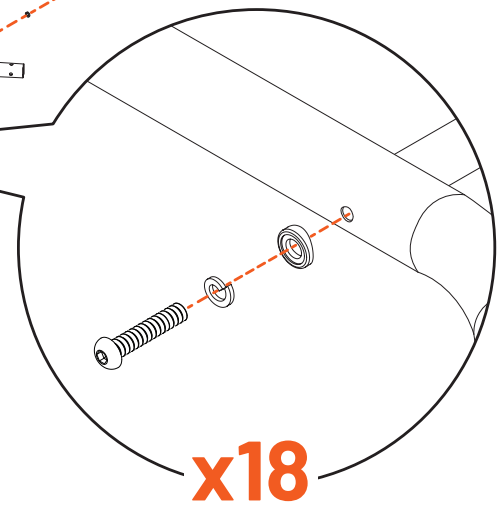
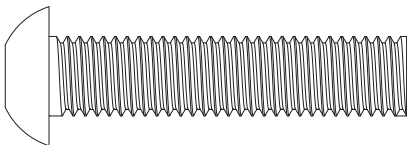
WARNING! Ensure the orientation indicator slot of each rung is pointing horizontally

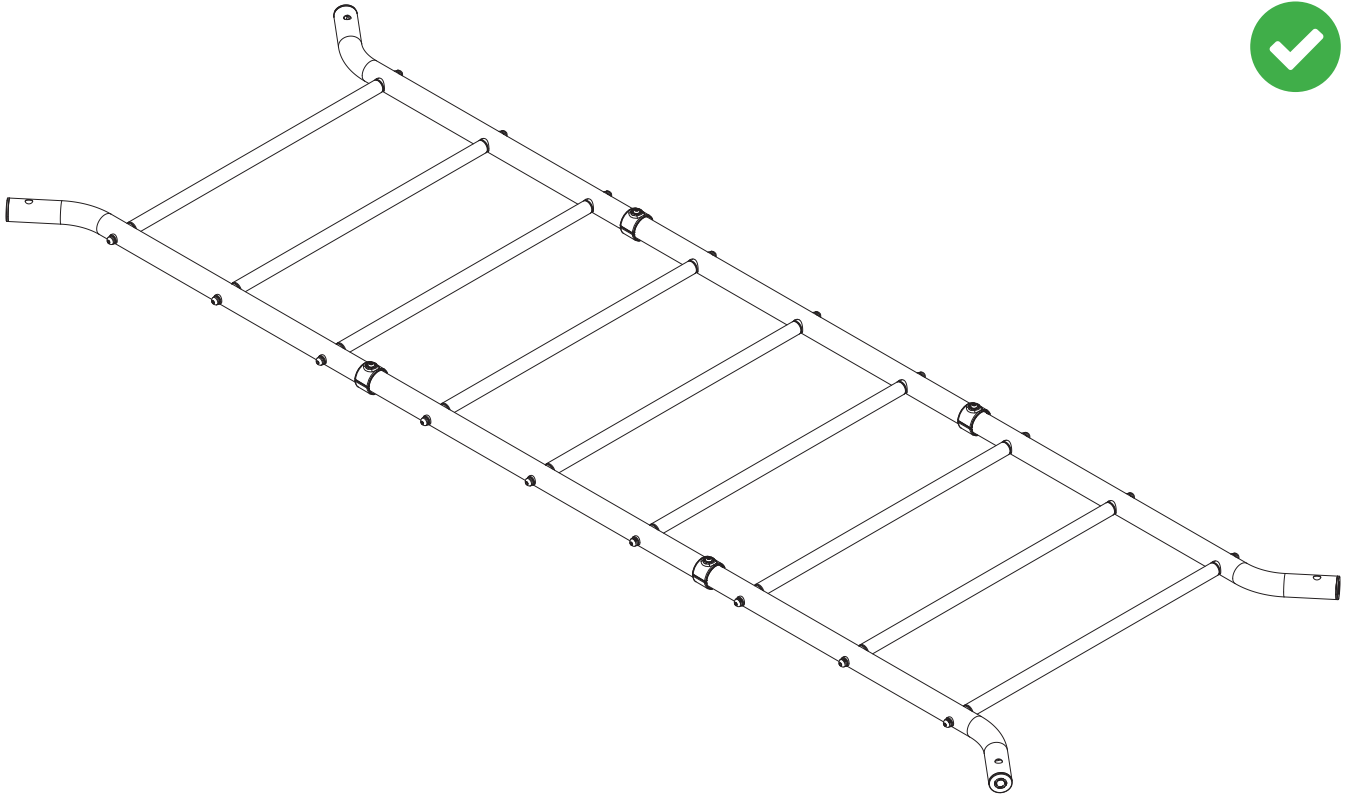


6

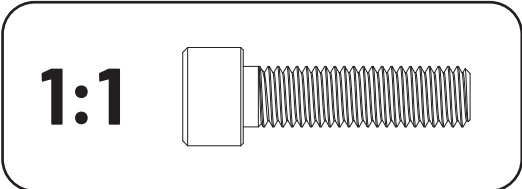
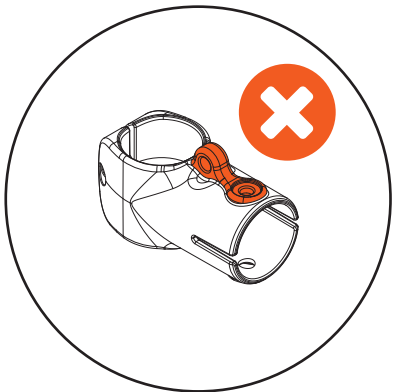
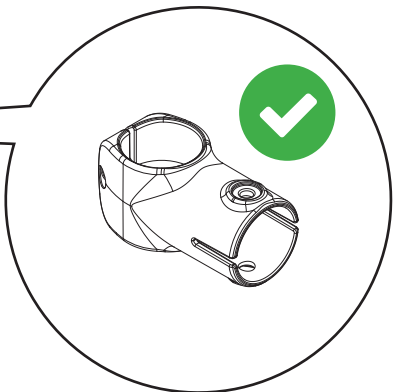
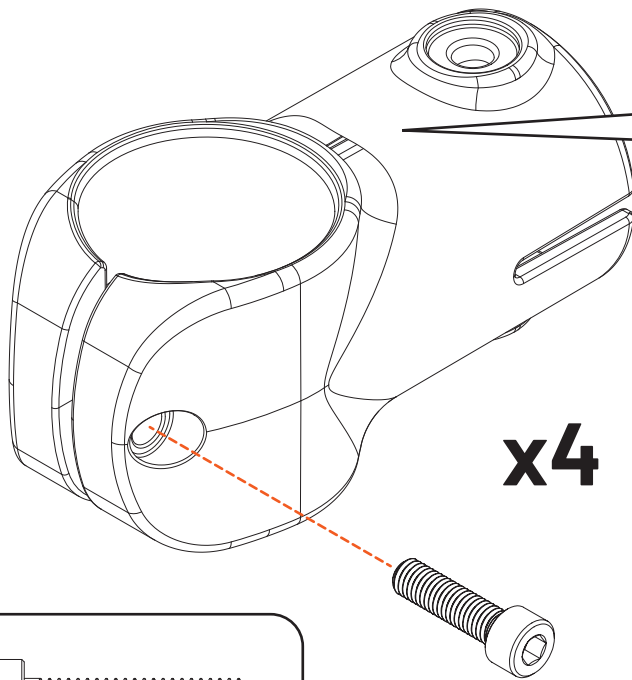




1:1






7

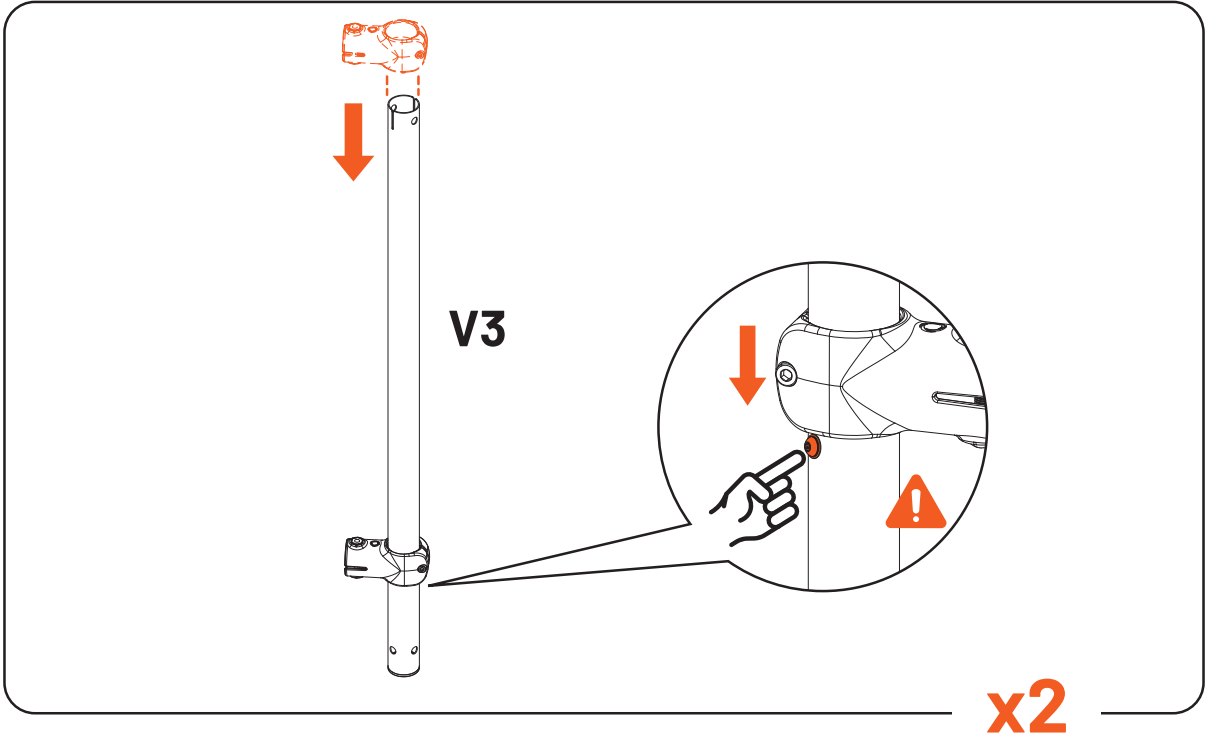


 **NOTE:** If not already installed, insert Fasteners into Adjustable Joiner and screw until finger tight 

 **NOTE:** If building a Pro Model, ensure that Adjustable Joiners **without** cross brace loops are used 

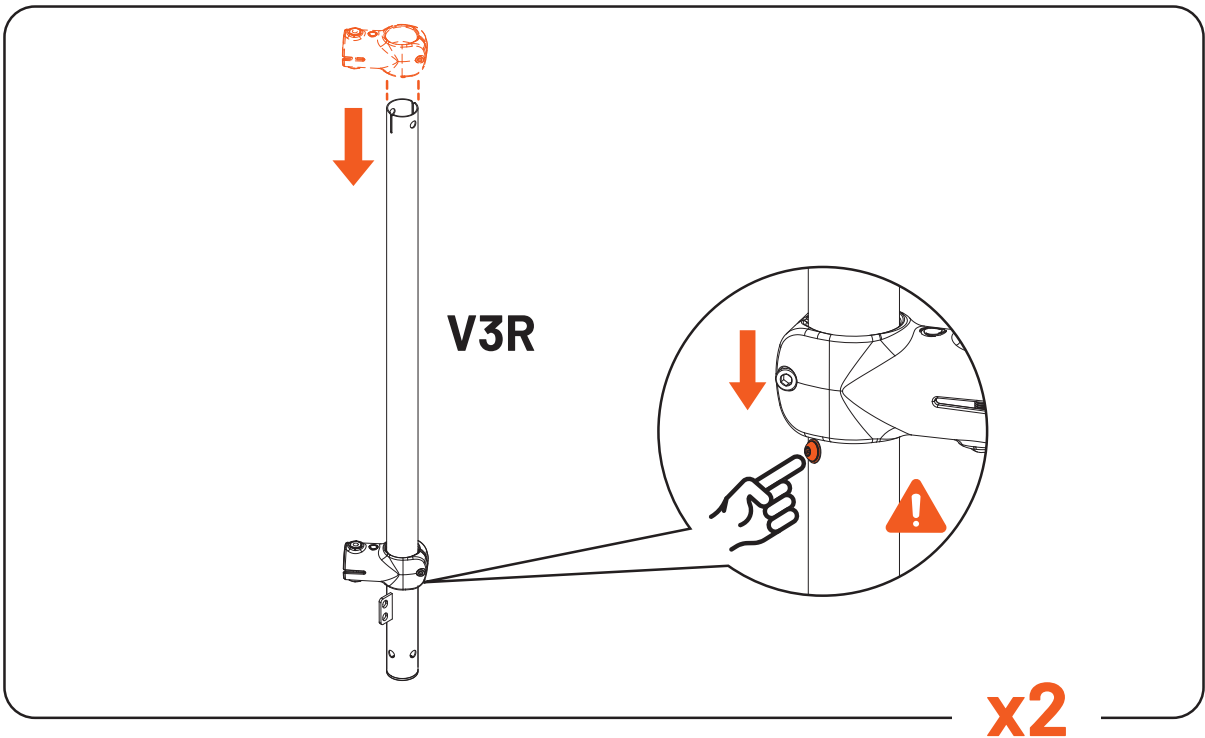


8



! **NOTE:** Adjustable Joiner should rest on the rivet in the tube **!**

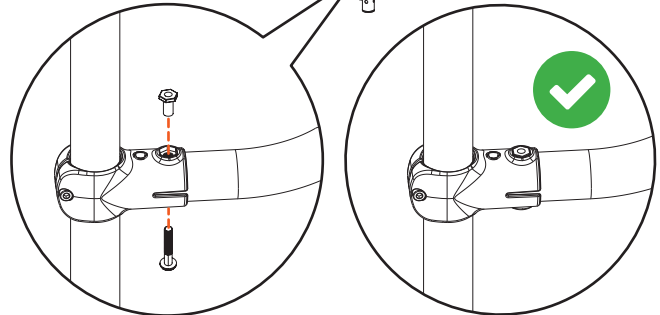
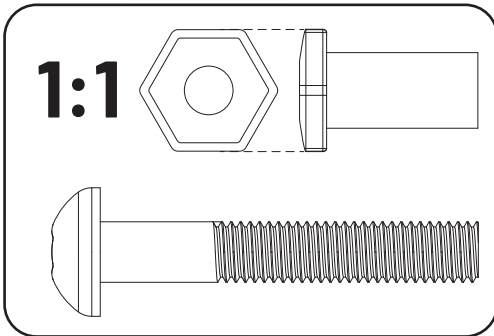
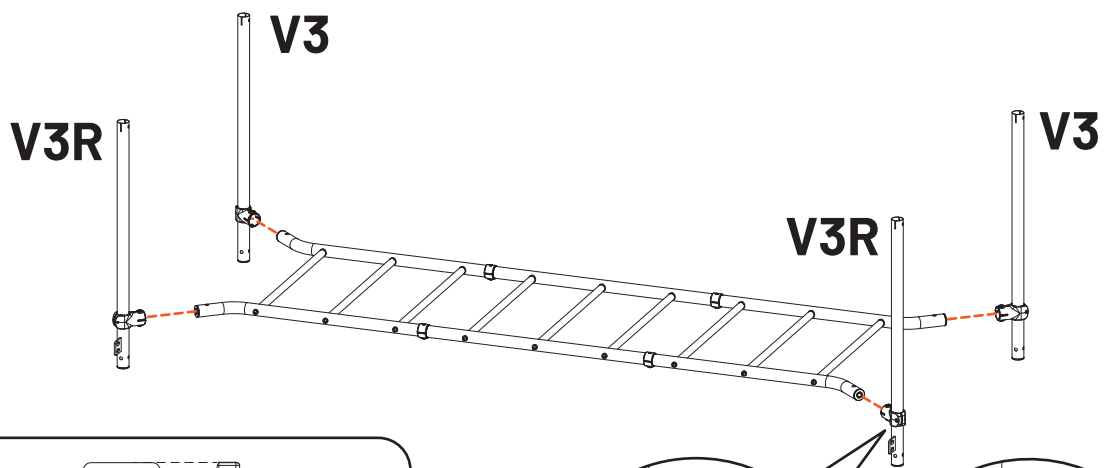
9



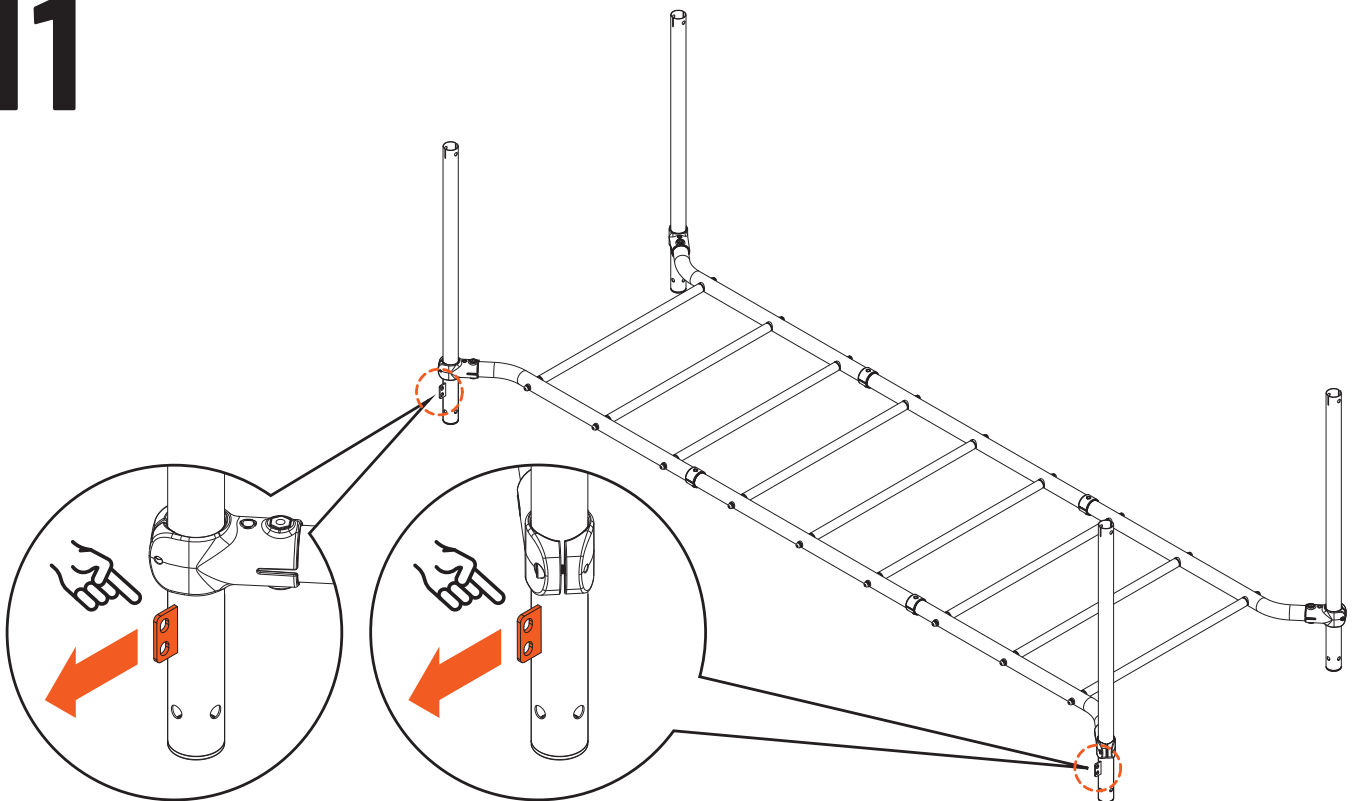
! **NOTE:** Adjustable Joiner should rest on the rivet in the tube **!**



10

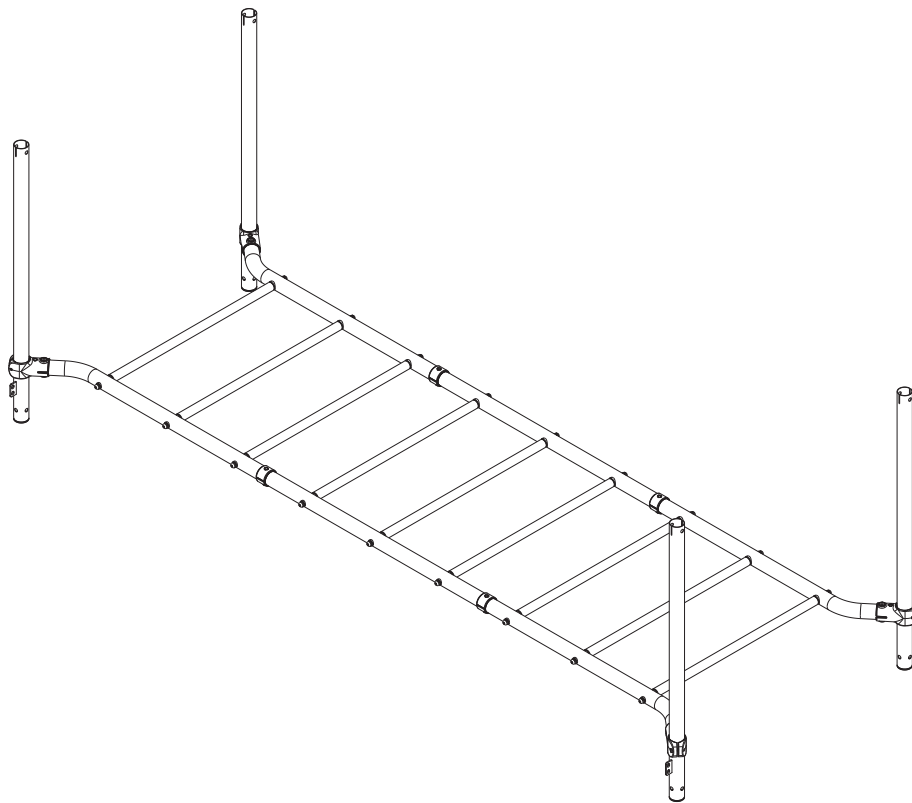


11



WARNING: Ensure that both reinforcement tabs are on the same side and facing outwards



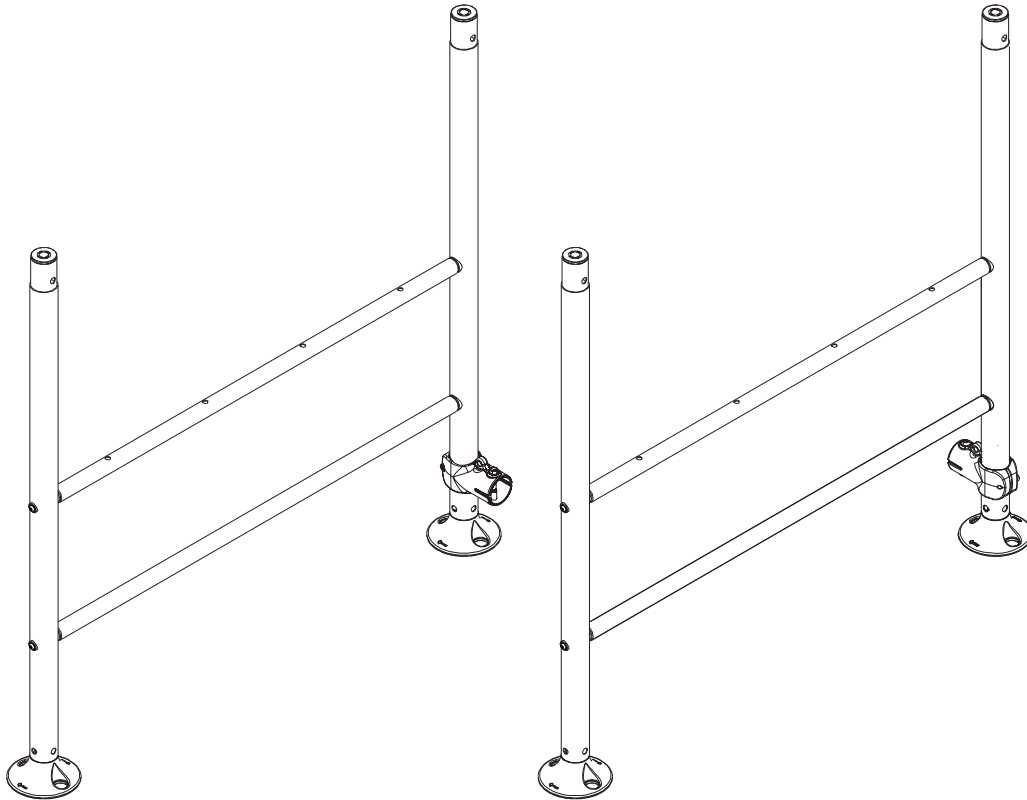


NOTE: Do not tighten clamping bolts for Adjustable Joiners as this stage.



4.3. H-FRAME ASSEMBLY

ENSURE THAT AS YOU ASSEMBLE THE PRODUCT, YOU FIRMLY TIGHTEN ALL NUTS AND BOLTS, UNLESS DIRECTED.



Required Components

Poles

- V2.....x4
- R2.....x2
- R3.....x2

Misc

- Plastic Footx4

Joiners

- Adjustable(Cross Brace) x2

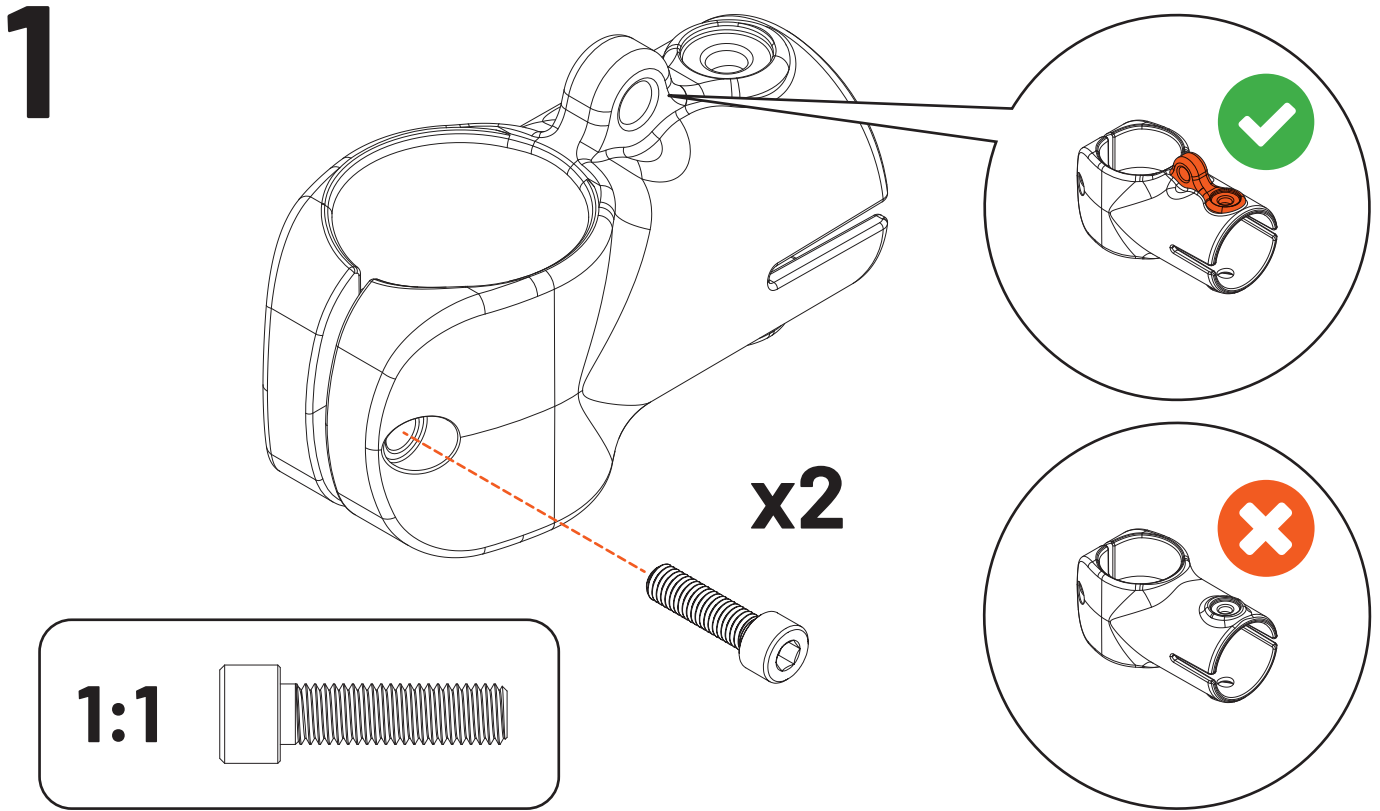
Tools

- 6mm Allen Keyx2

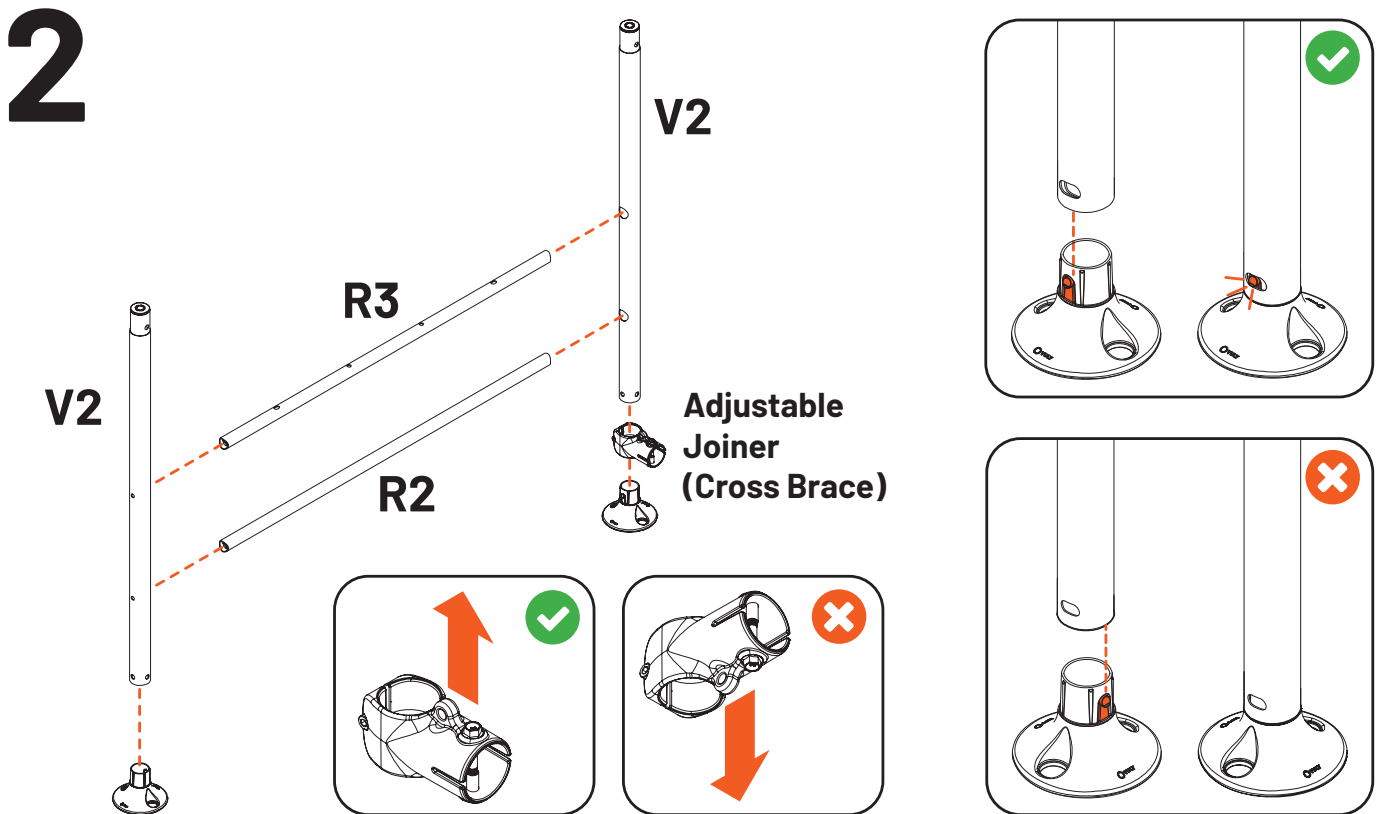
Fasteners

- M10x45x8
- M10 Plastic Washerx8
- M8x30x2





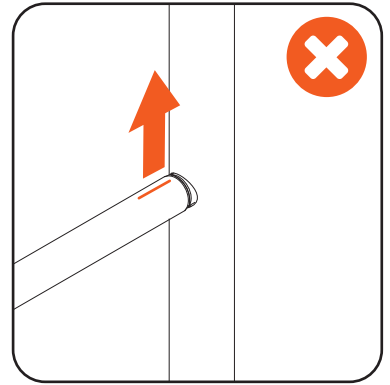
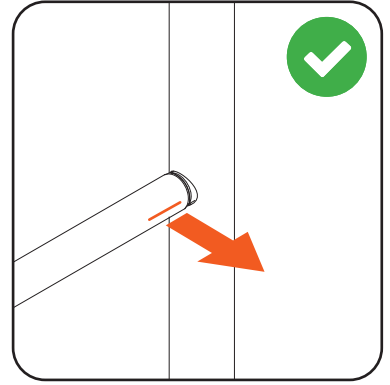
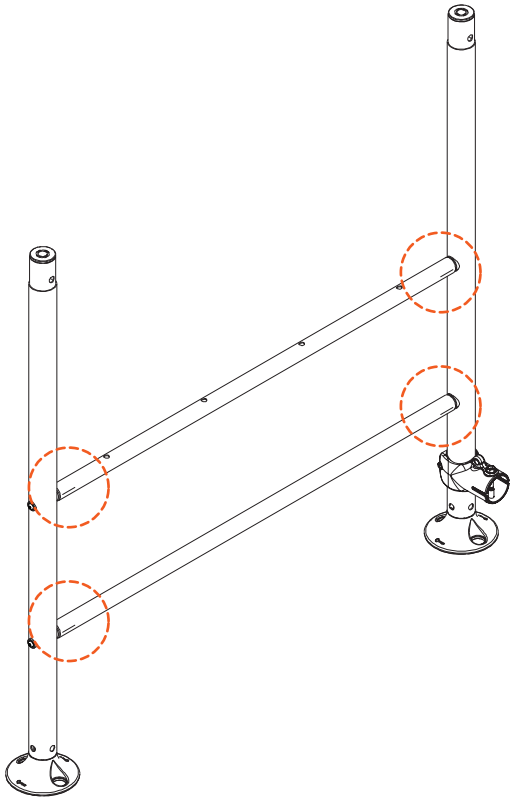
NOTE: Insert Fasteners into Adjustable Joiner and screw until finger tight




WARNING! Ensure Feet are locked into H-Frame and Cross Brace attachment point is facing upwards

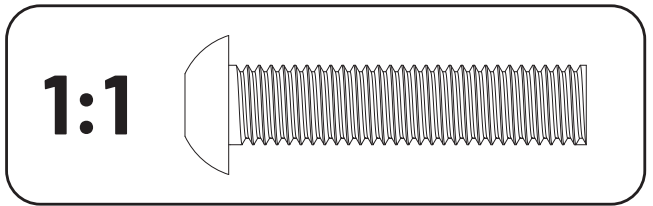
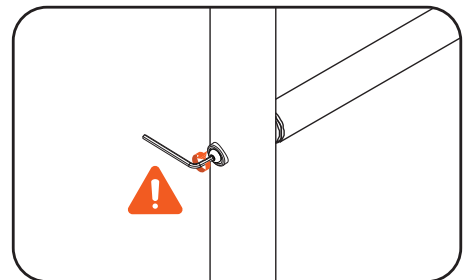
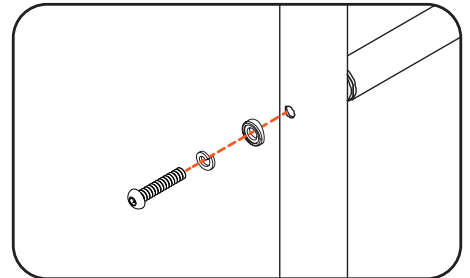
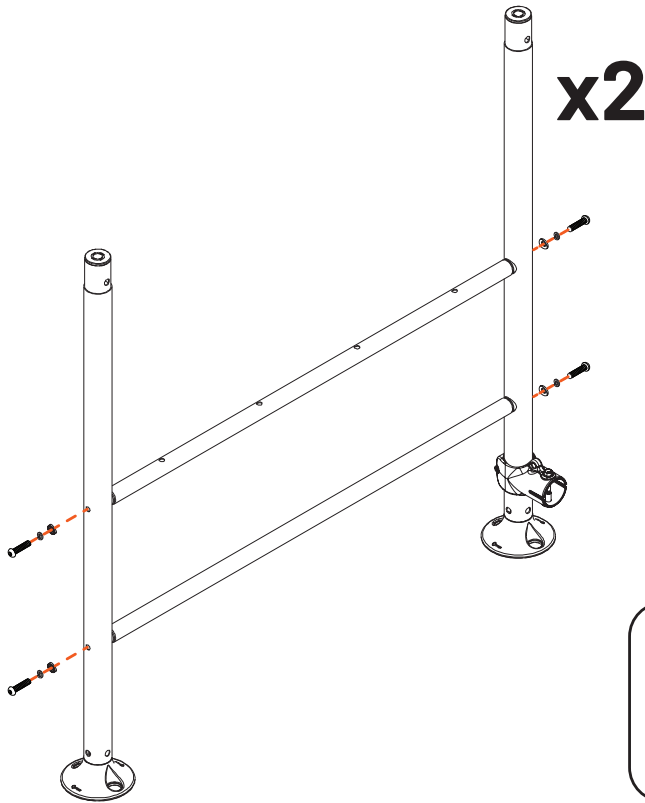




3



 **WARNING!** Ensure that Step Tubes are in correct orientation as noted above 

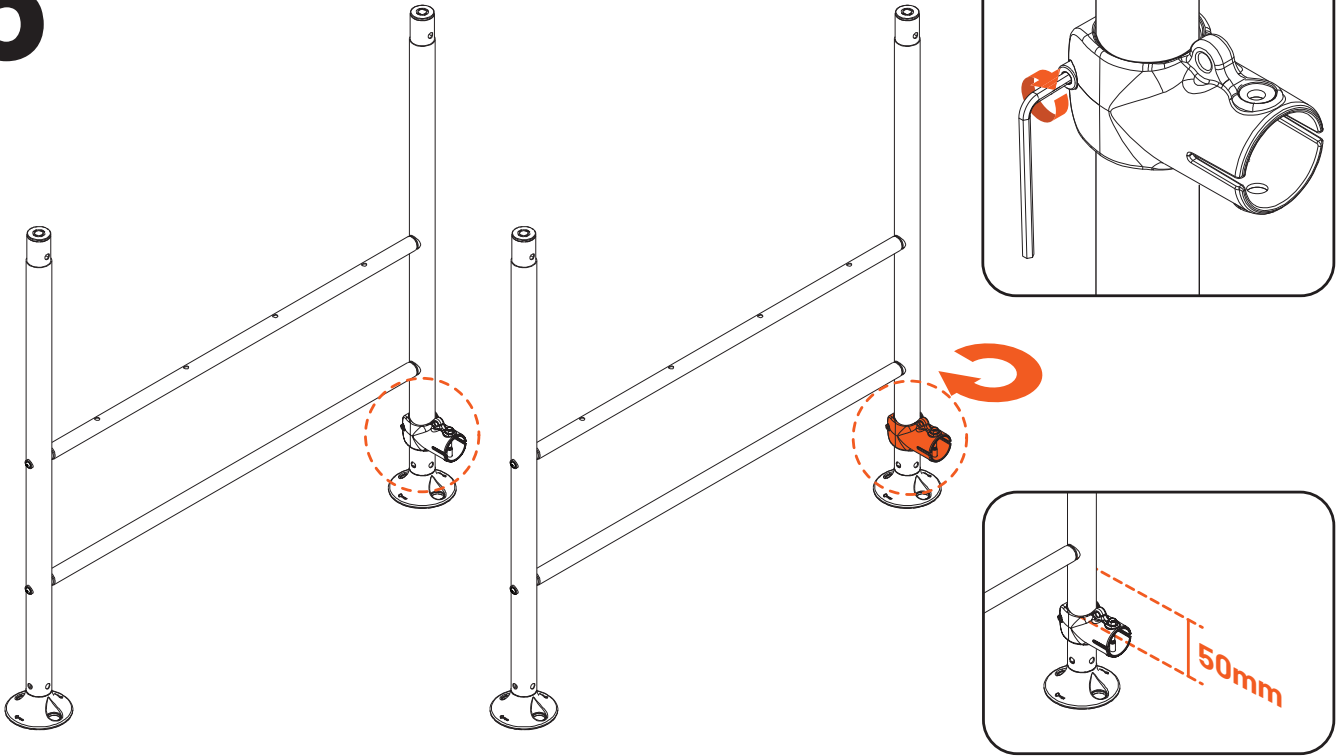
4





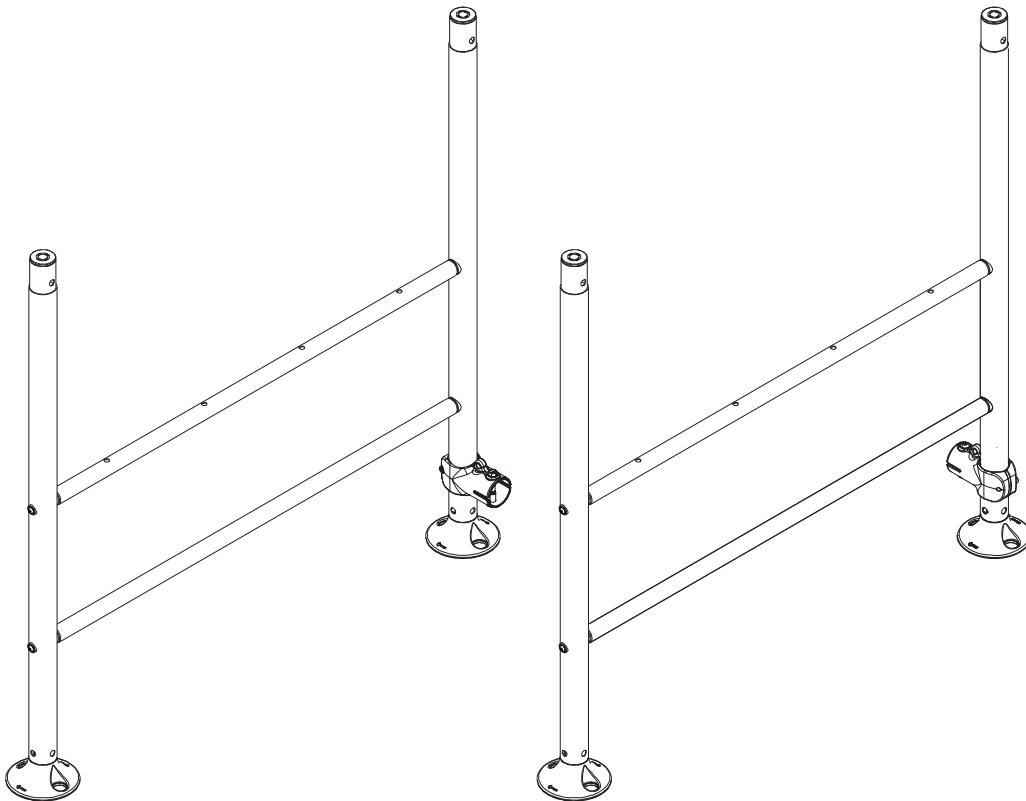
 **NOTE:** Do not fully tighten fasteners. Repeat steps 1 to 4 to construct a second H-Frame 



5

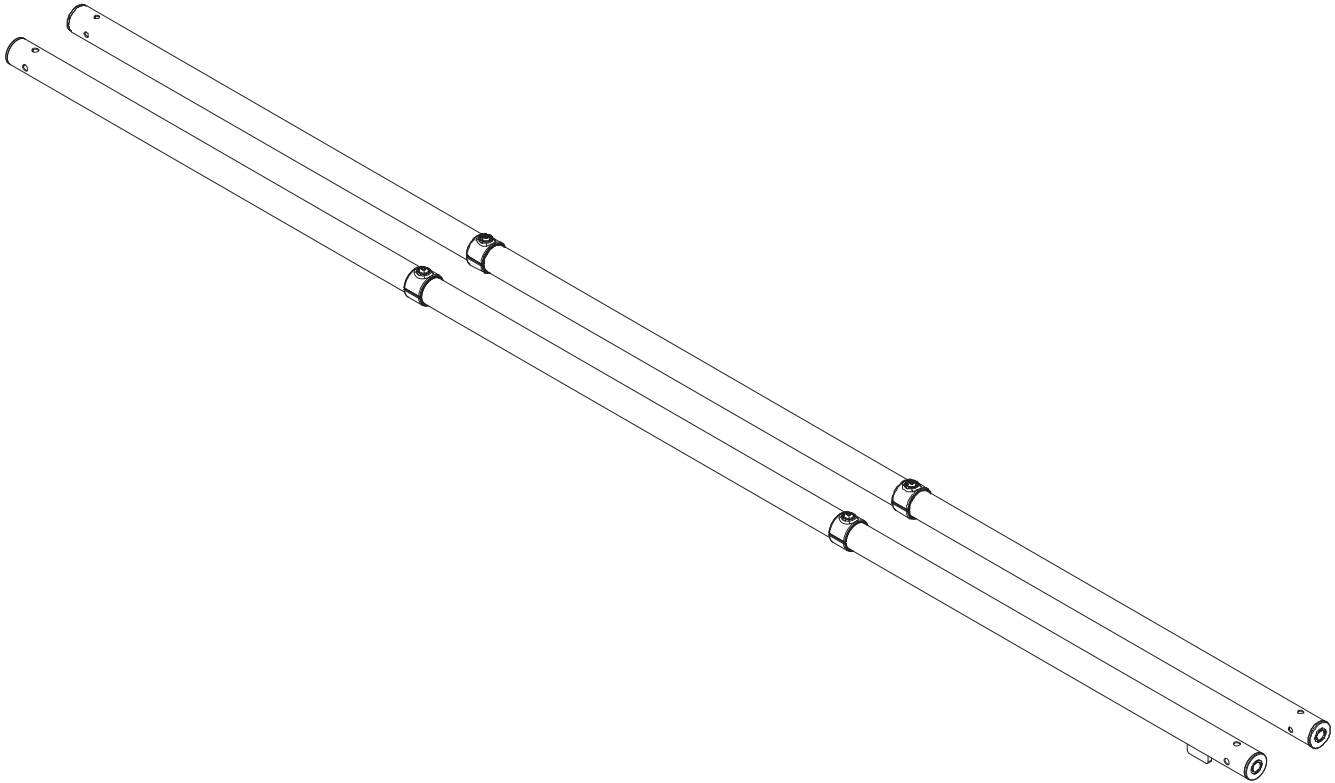


 **NOTE:** Rotate one of the Adjustable Joiners and lightly tighten clamp bolts for later adjustment. 



4.4. 3M SPAN

ENSURE THAT AS YOU ASSEMBLE THE PRODUCT, YOU FIRMLY TIGHTEN ALL NUTS AND BOLTS, UNLESS DIRECTED.



Required Components

Poles

- H1.....x3
- H2.....x2
- H1Rx1

Joiners

- Tube to Tubex4

Fasteners

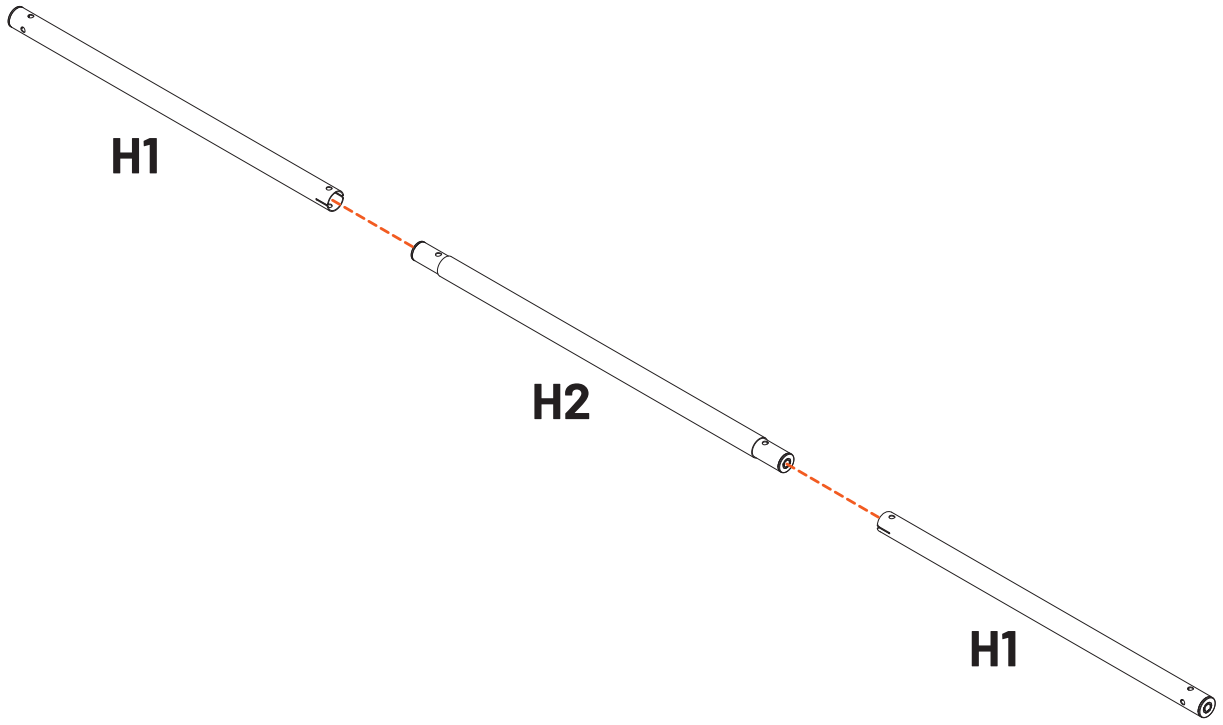
- M8*50x4
- Round Barrel Nutx4

Tools

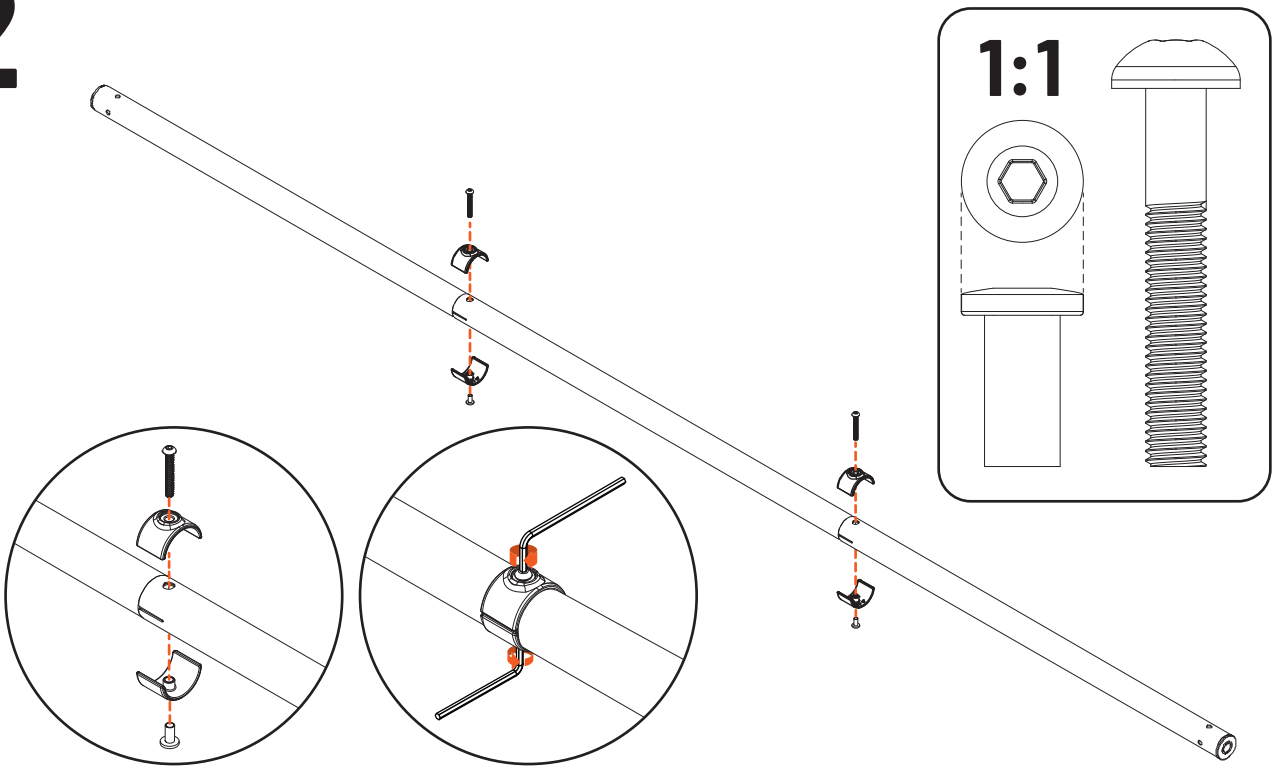
- 6mm Allen Keyx1
- 5mm Allen Keyx1

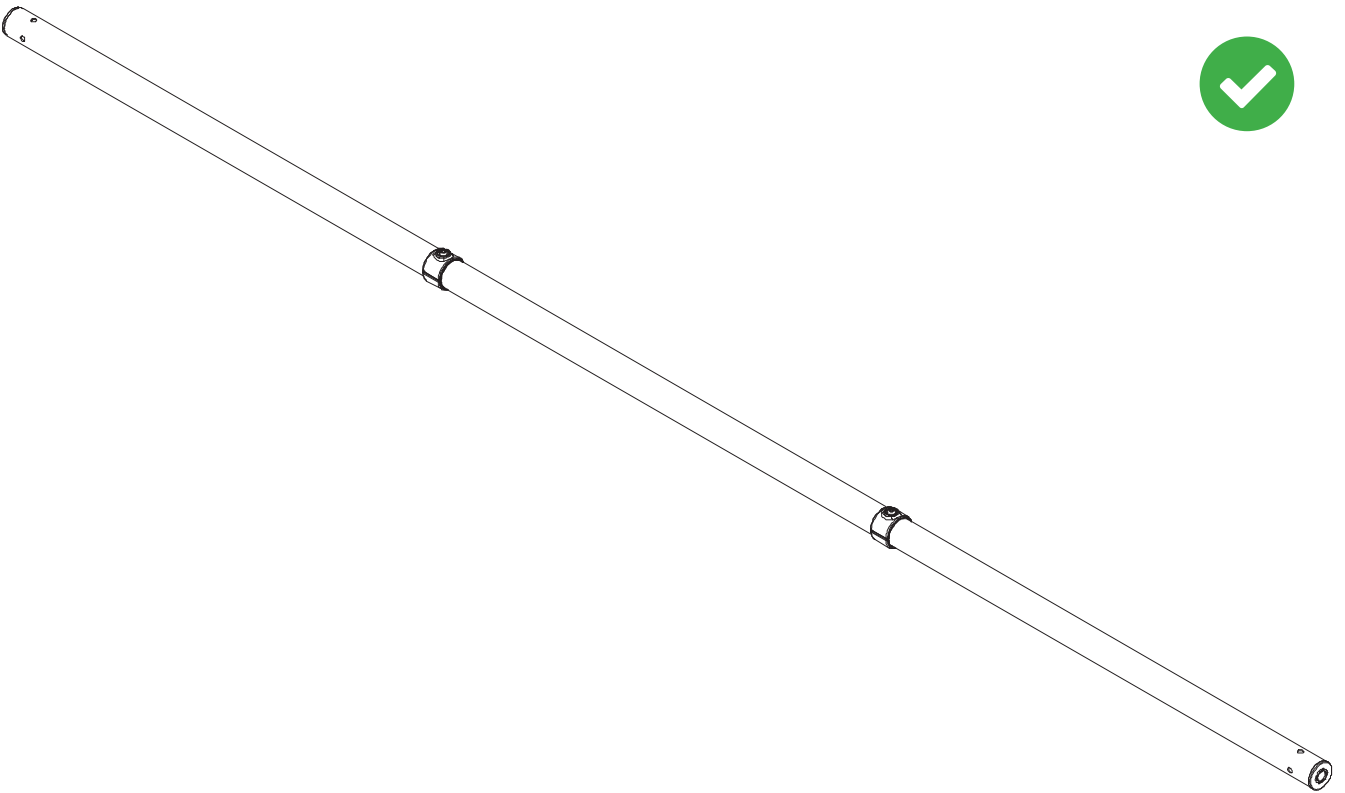


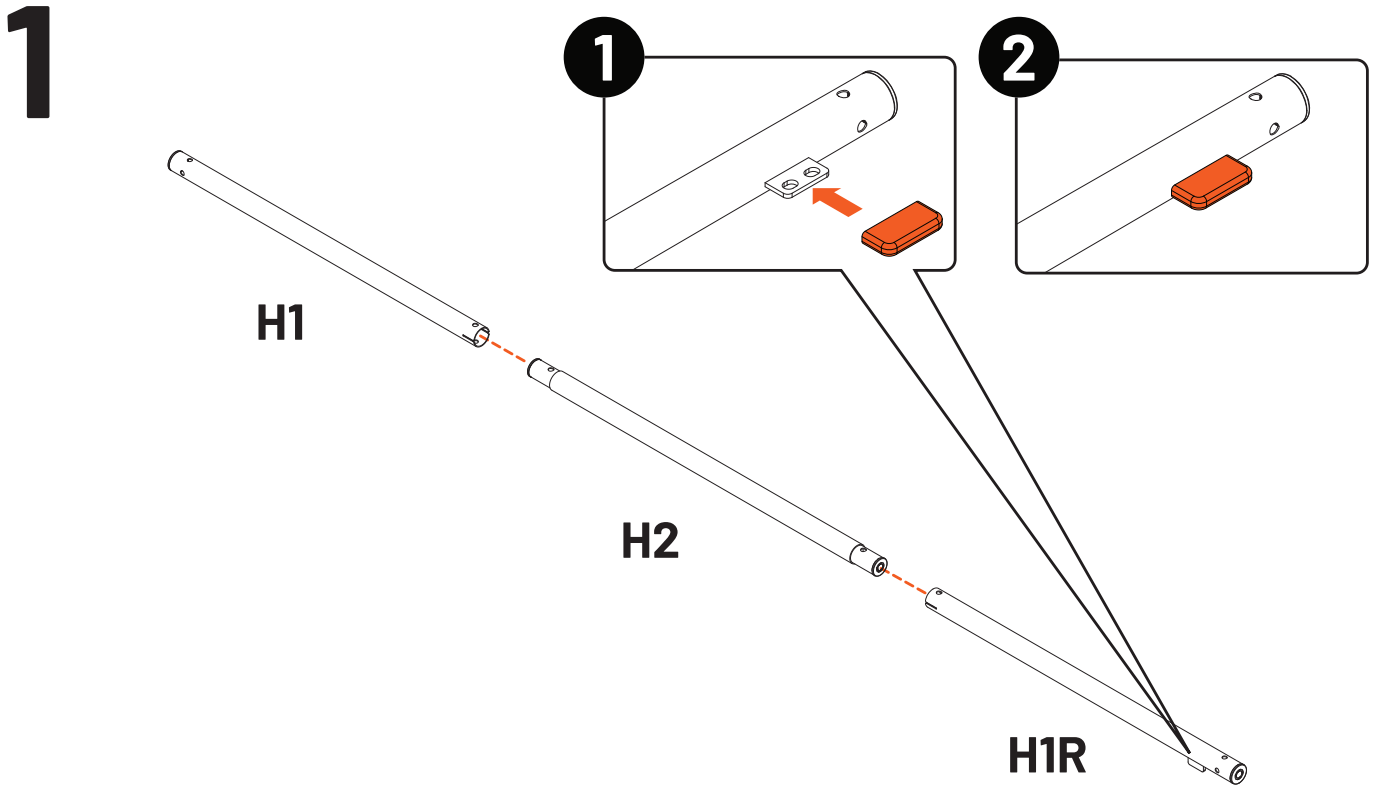
1



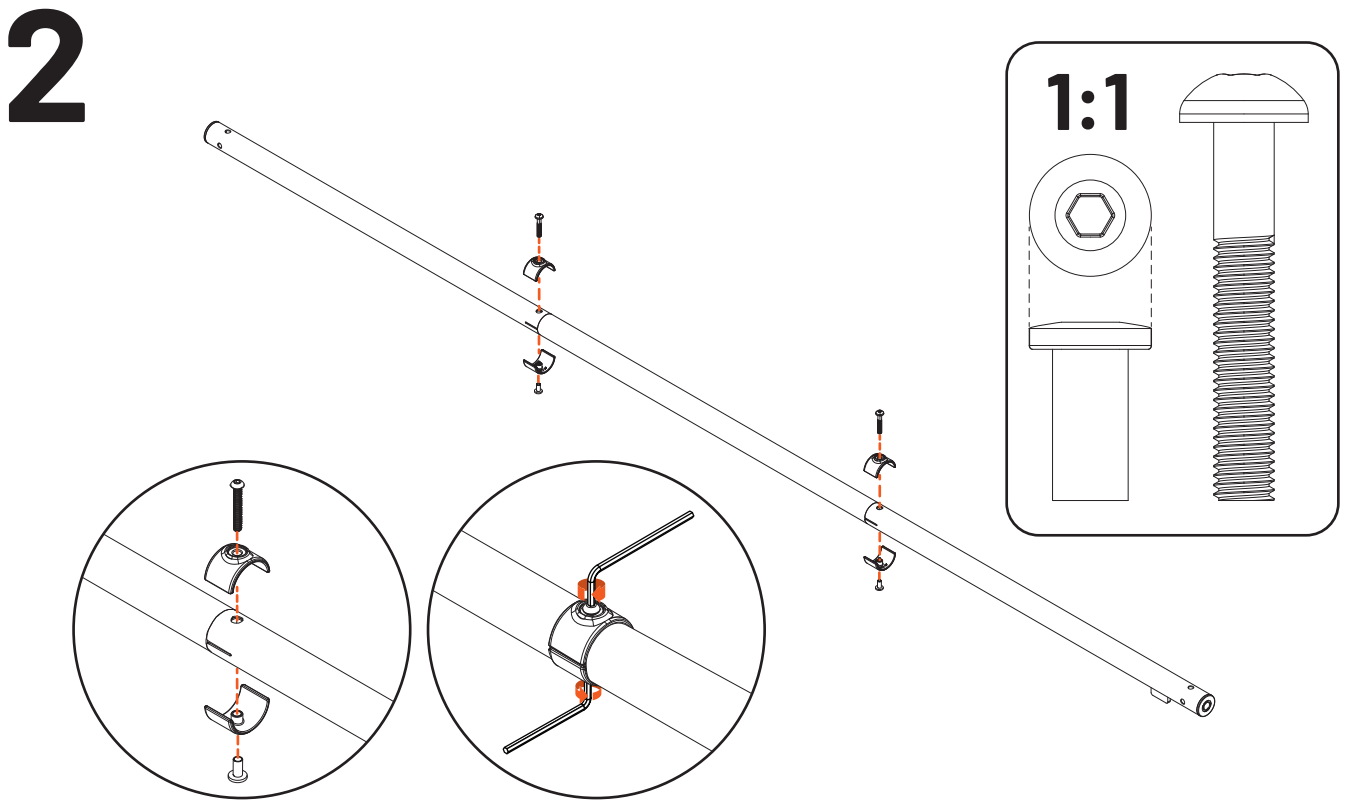
2

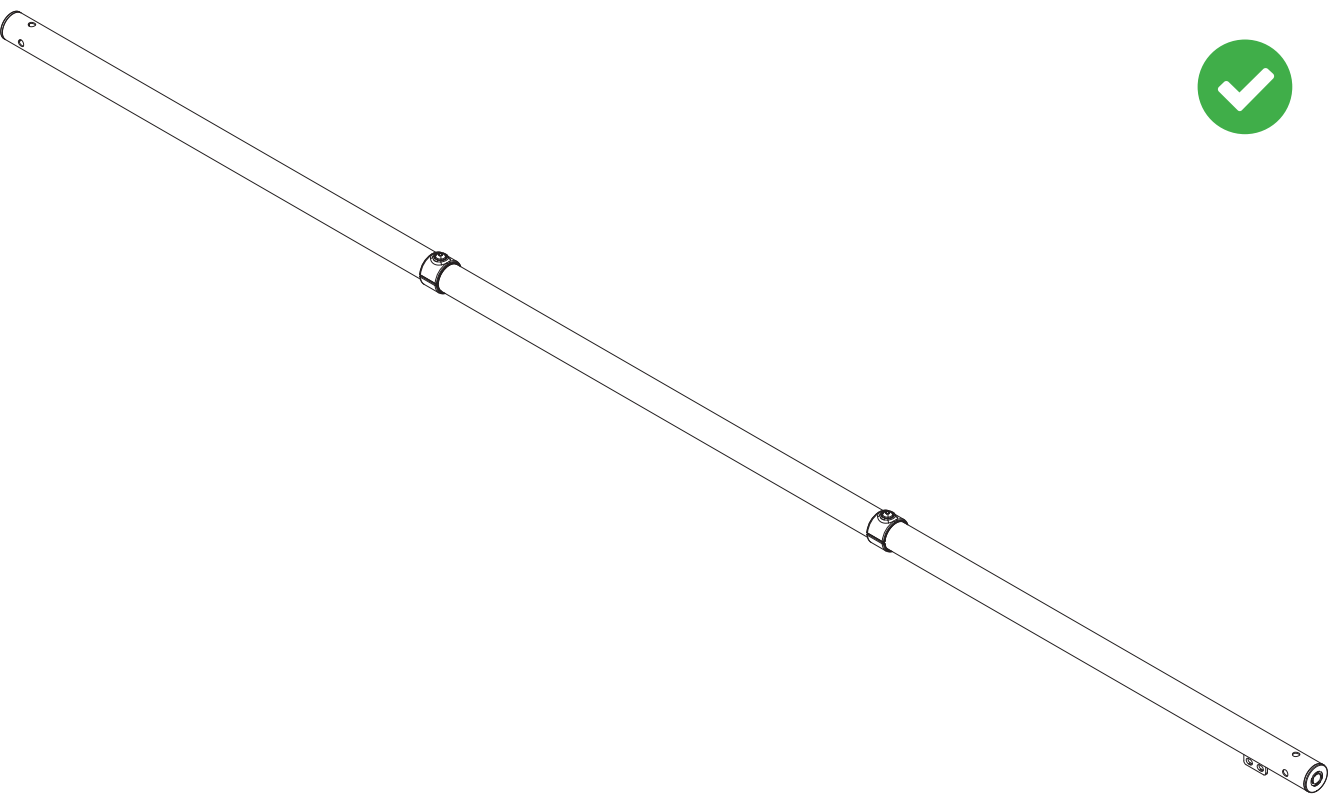






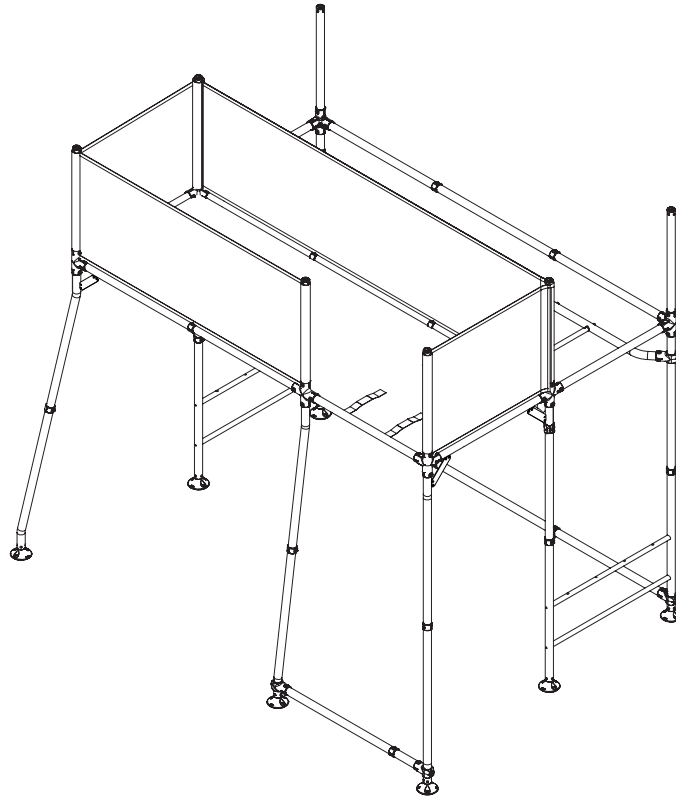
 **WARNING:** Use a protective cap to cover the reinforcement tab on the H1R tube. 





4.5. FRAME ASSEMBLY

ENSURE THAT AS YOU ASSEMBLE THE PRODUCT, YOU FIRMLY TIGHTEN ALL NUTS AND BOLTS, UNLESS DIRECTED.



Required Components

Tubes

- V1.....x2
- A1.....x2
- A2.....x1
- A9.....x1
- A3.....x1
- A4.....x1
- C2.....x7
- H1.....x1
- H5.....x1

Joiners

- Tube to Tubex8
- 4 Wayx2

Sub-Assemblies

- Hideoutx1
- 3M Span.....x2
- H Frame.....x2
- Monkey Barsx1

Misc

- Plastic Stepx2
- Plastic Footx3

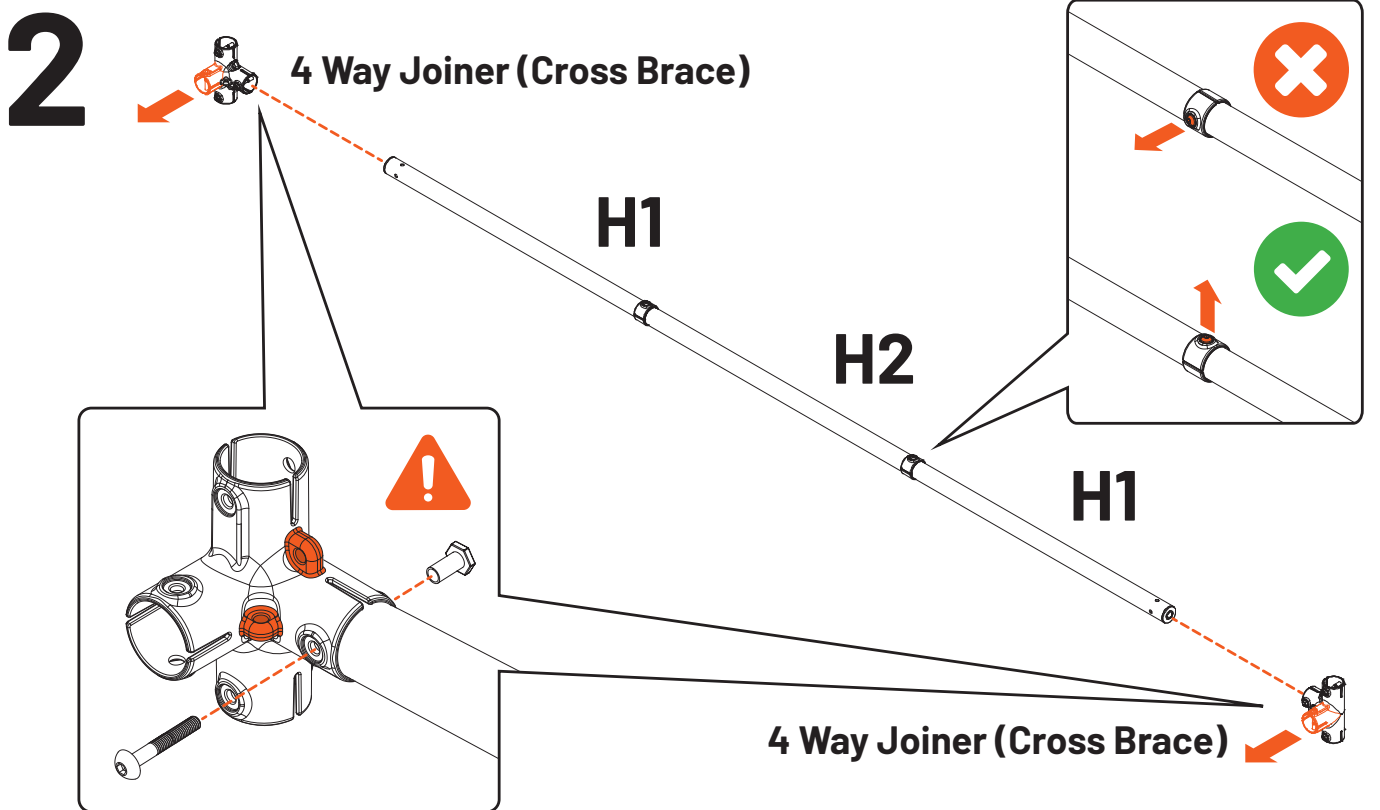
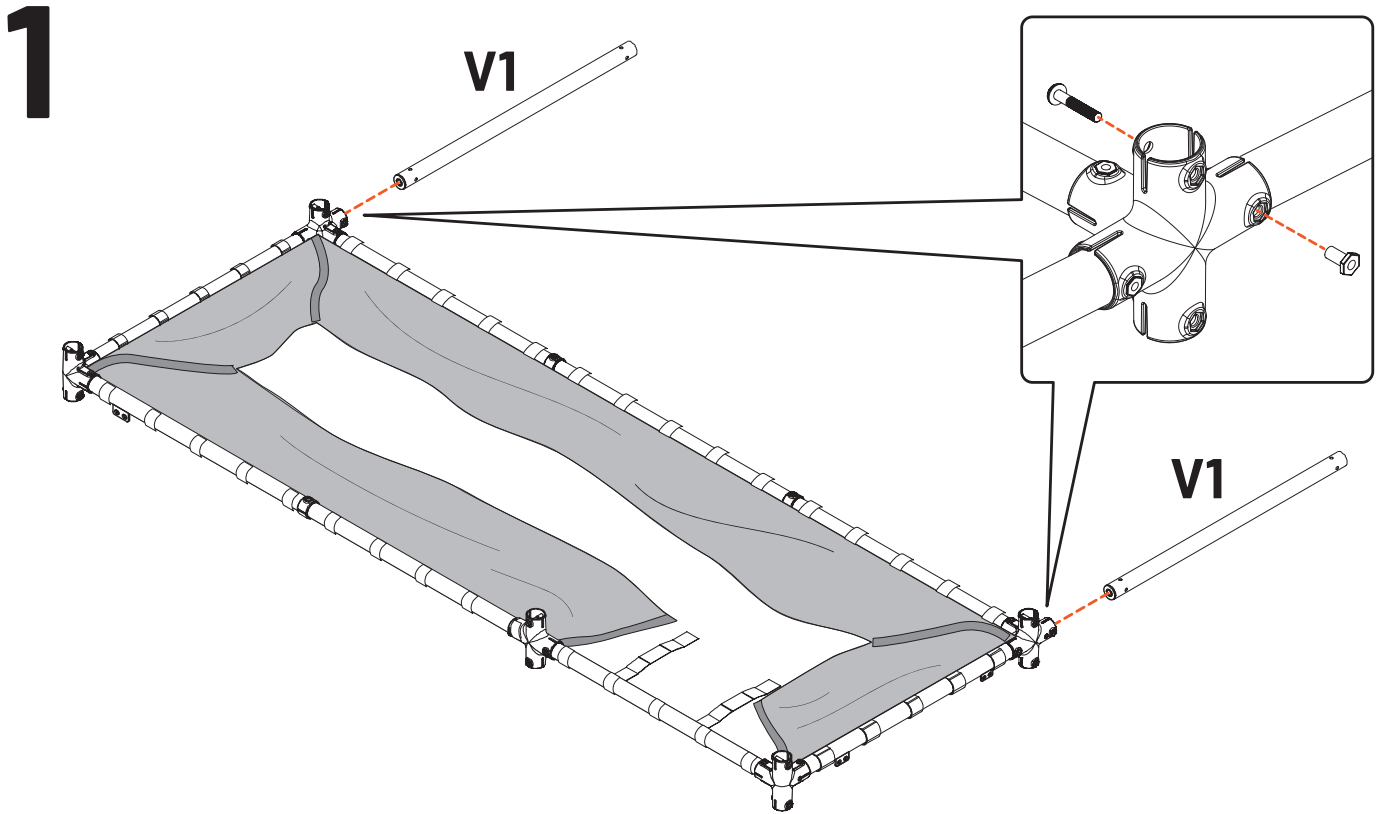
Fasteners

- M8*50x31
- Hex Barrel Nutx23
- Round Barrel Nut.....x8
- M8*40x8
- Reinforcement Plate.....x5
- M10*16 x20
- M10 Nylon Nut x20

Tools

- 6mm Allen Keyx1
- 5mm Allen Keyx1

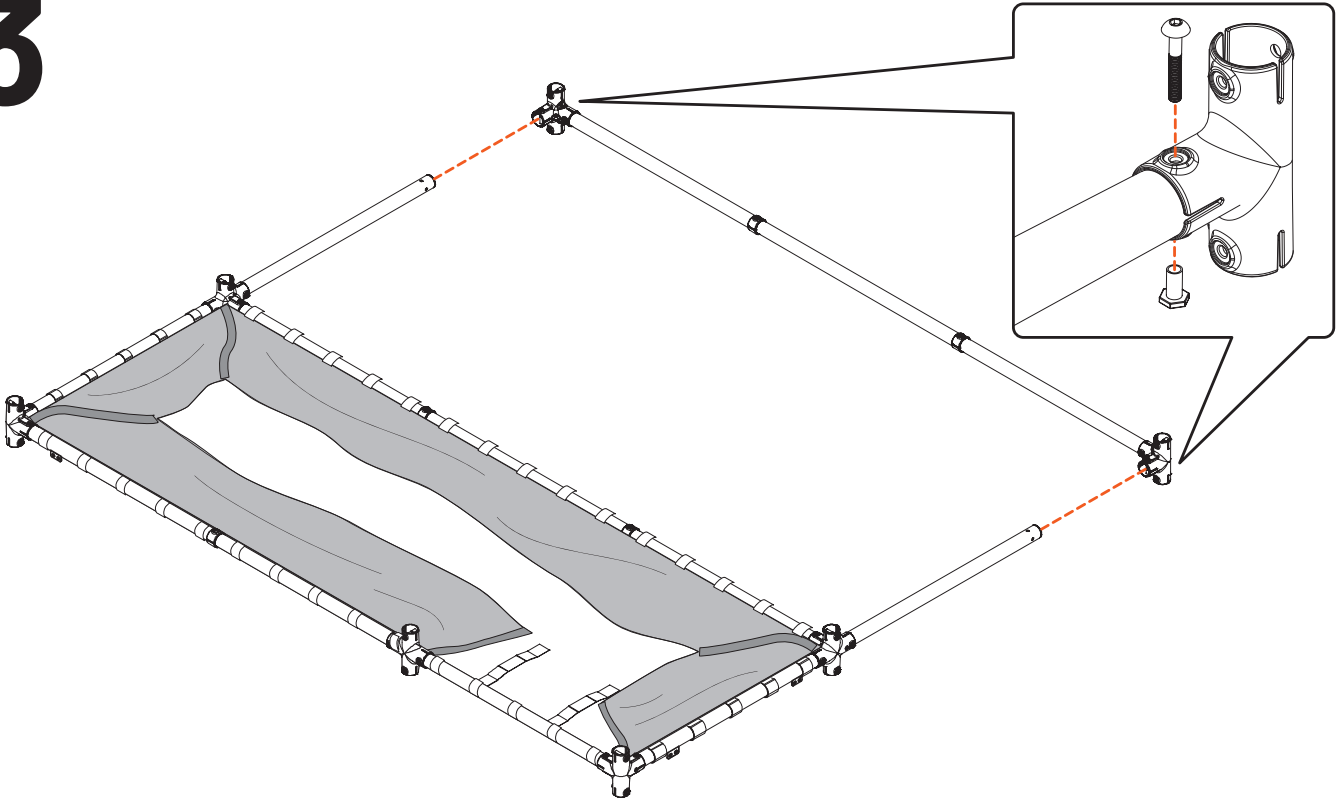




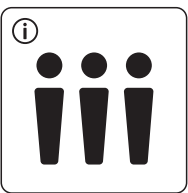
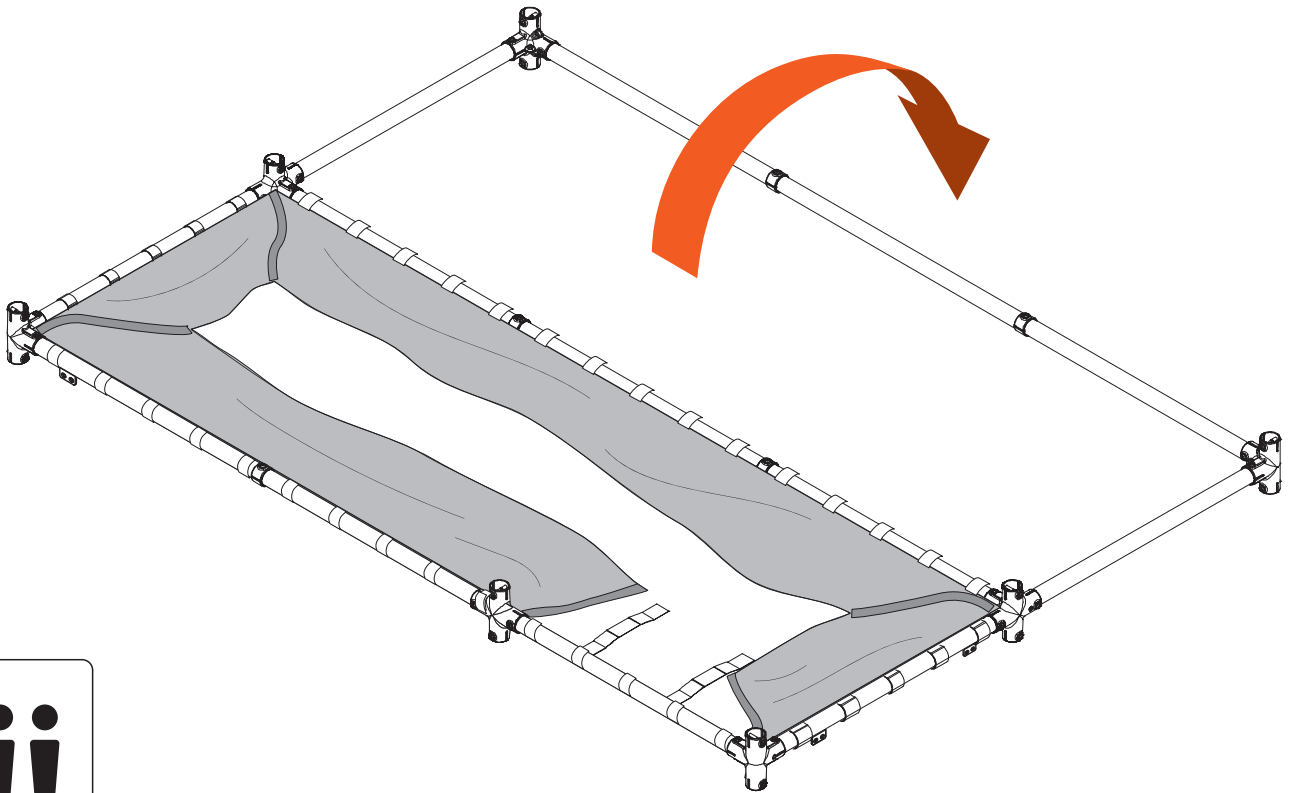
⚠ WARNING! Ensure that cross 4-Way Joiner (Cross Brace) with loops is used. Note orientation **⚠**





3

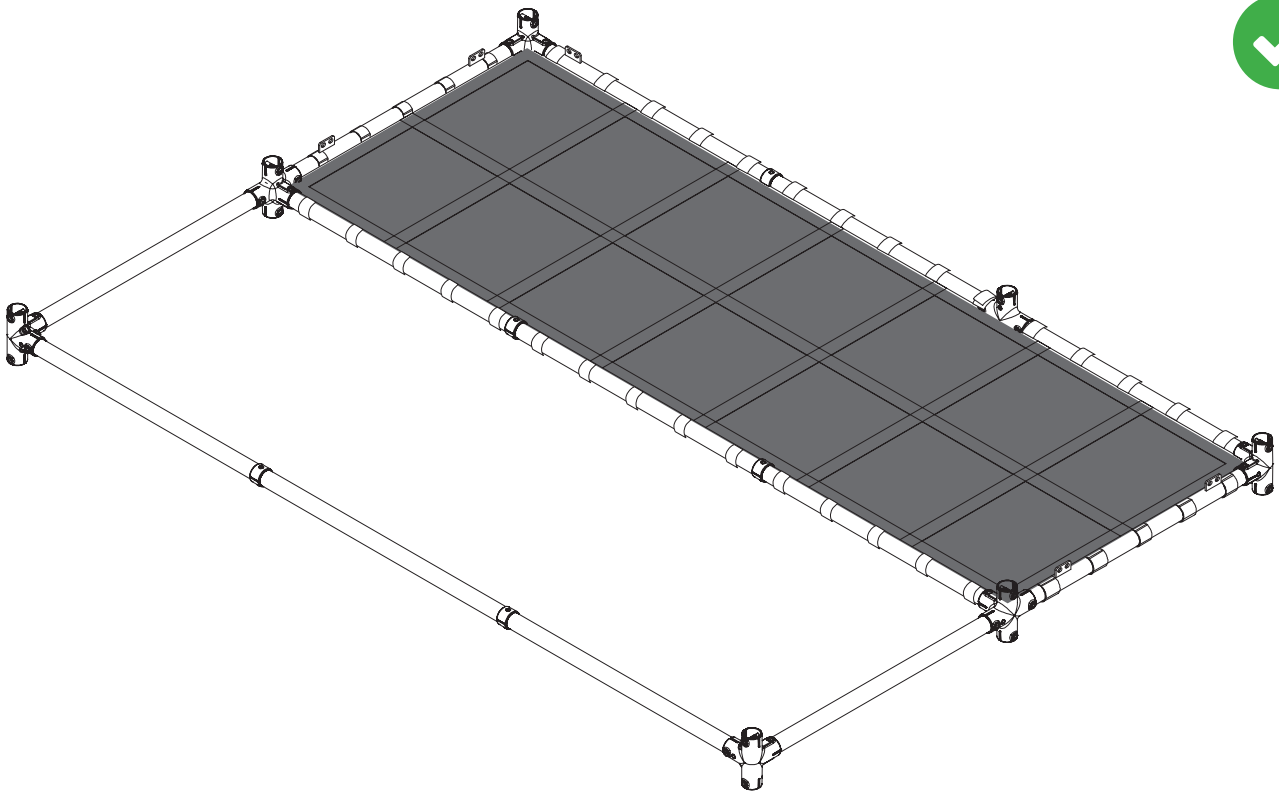


4

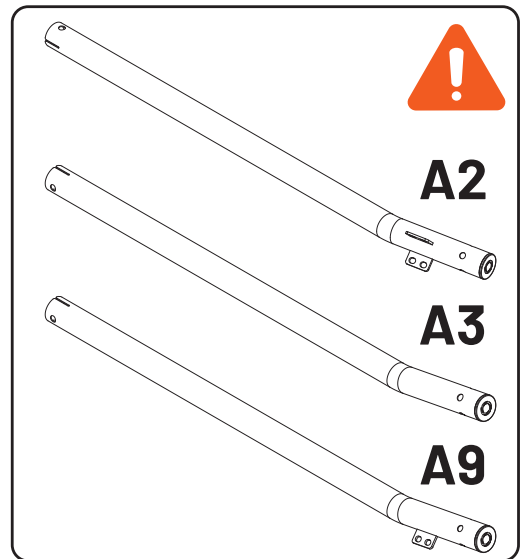
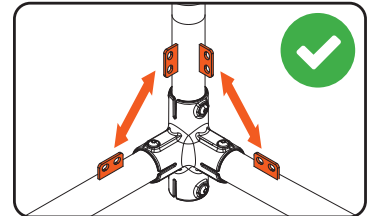
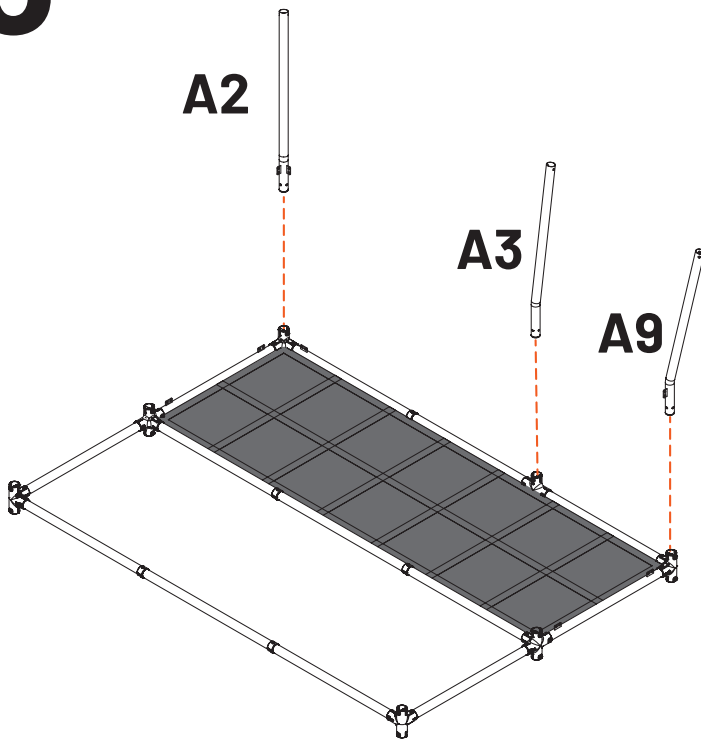


 **WARNING!** Minimum of three people required to flip frame over. 

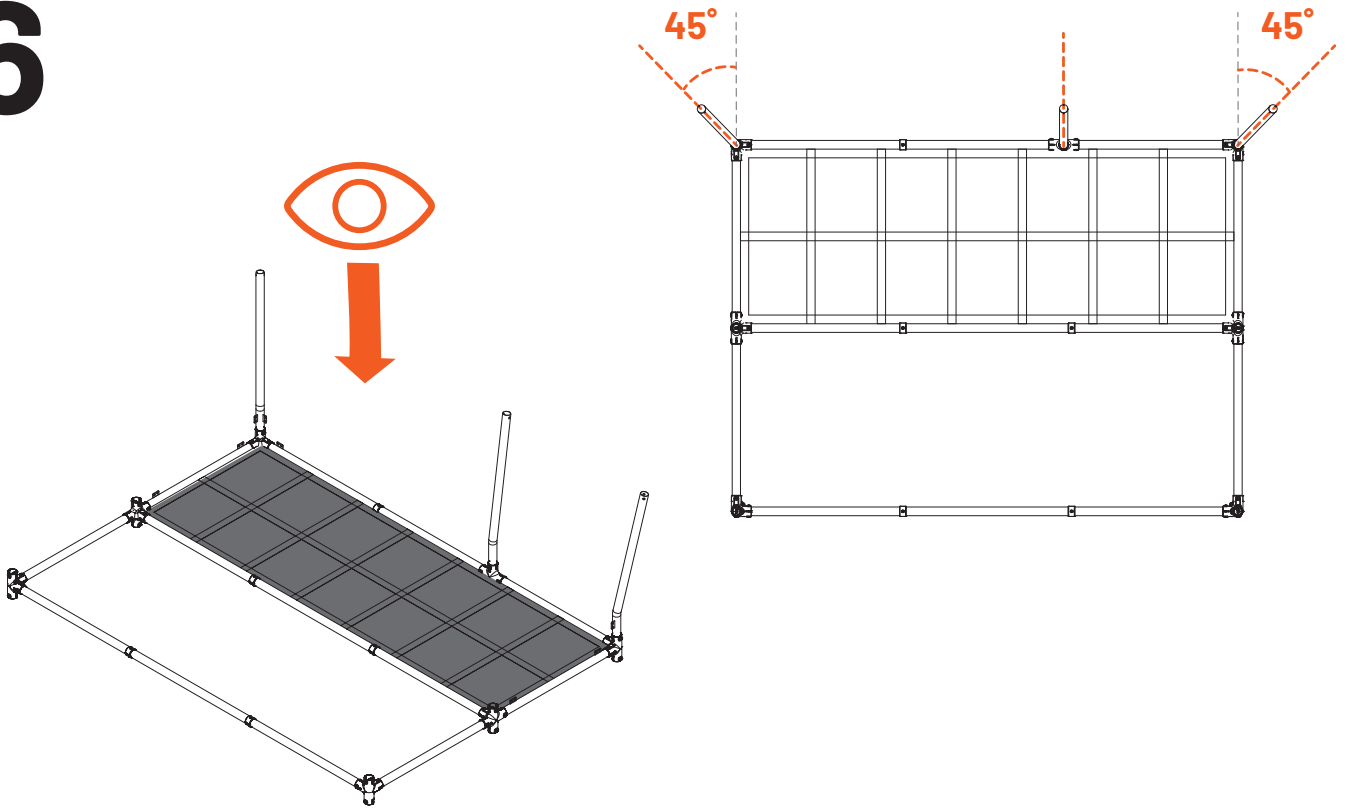






5

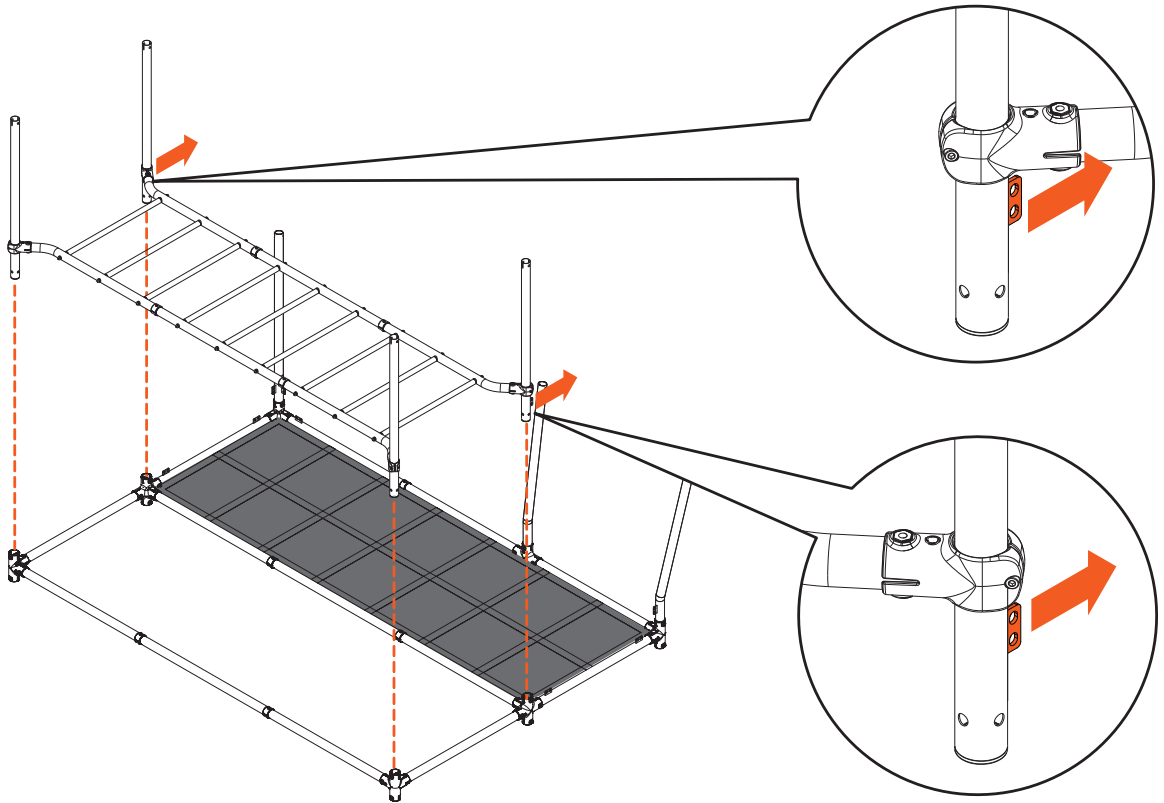




6



 **NOTE:** Ensure that corner Tubes are angled out at 45 degrees 

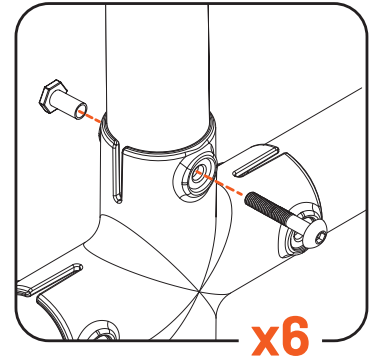
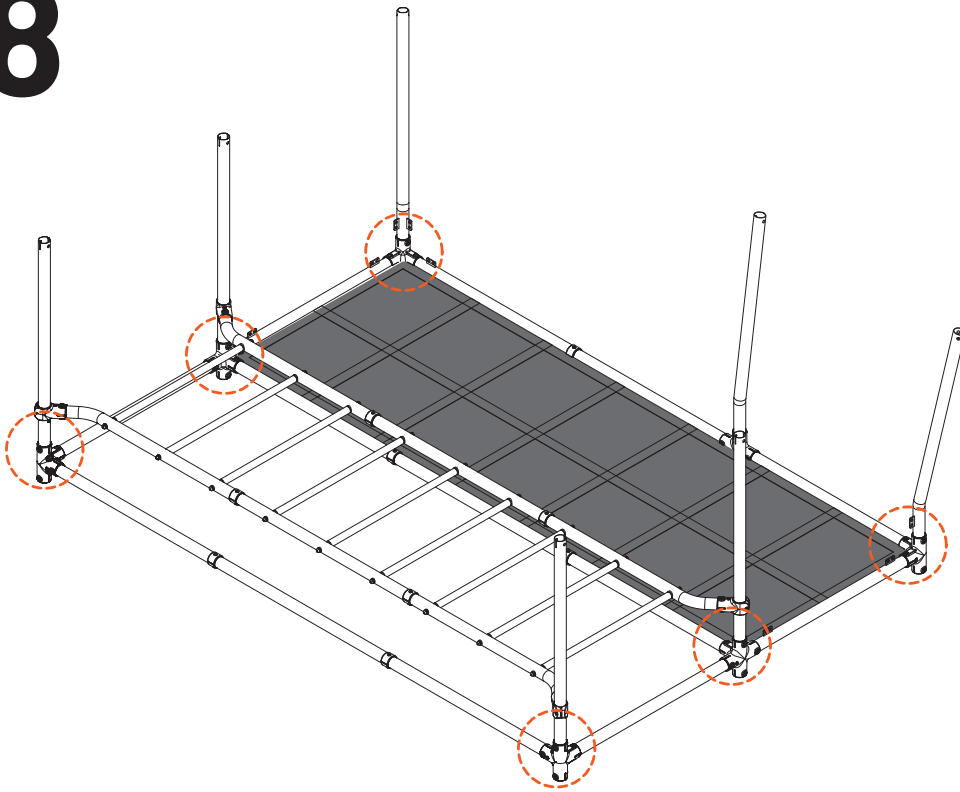
7



 **NOTE:** Bracing tabs on Monkey Bar assembly must be oriented as shown 



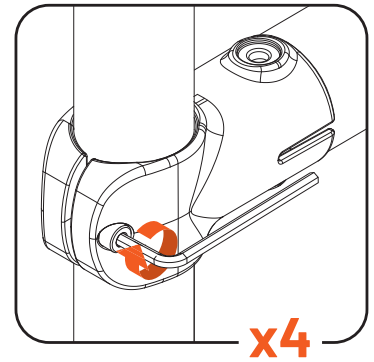
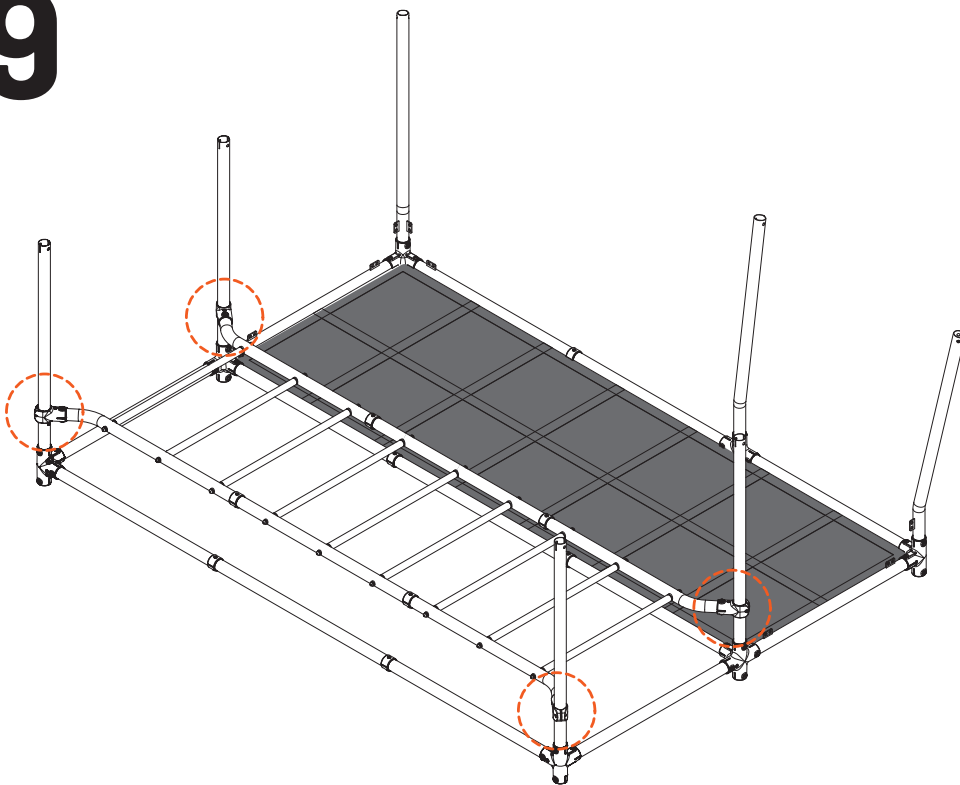
8



NOTE: Secure all inserted tubes with a Barrel Nut and Bolt



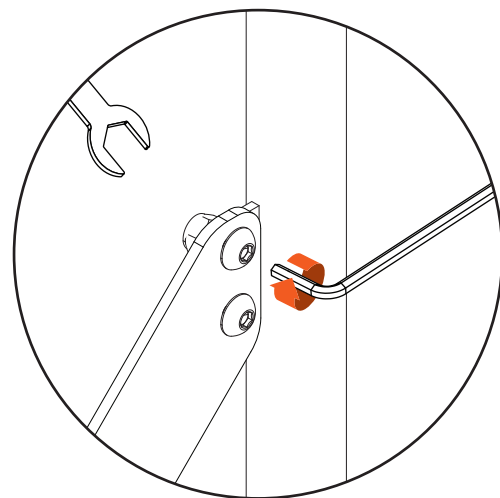
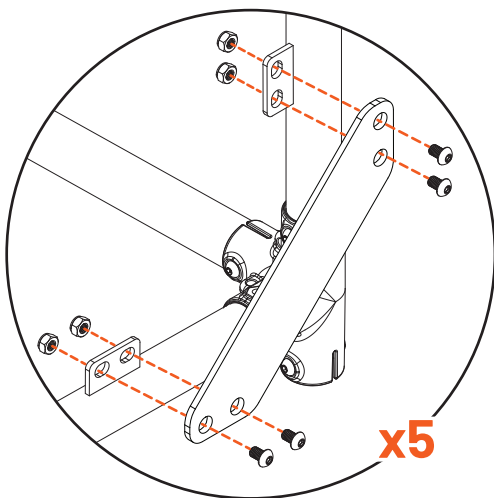
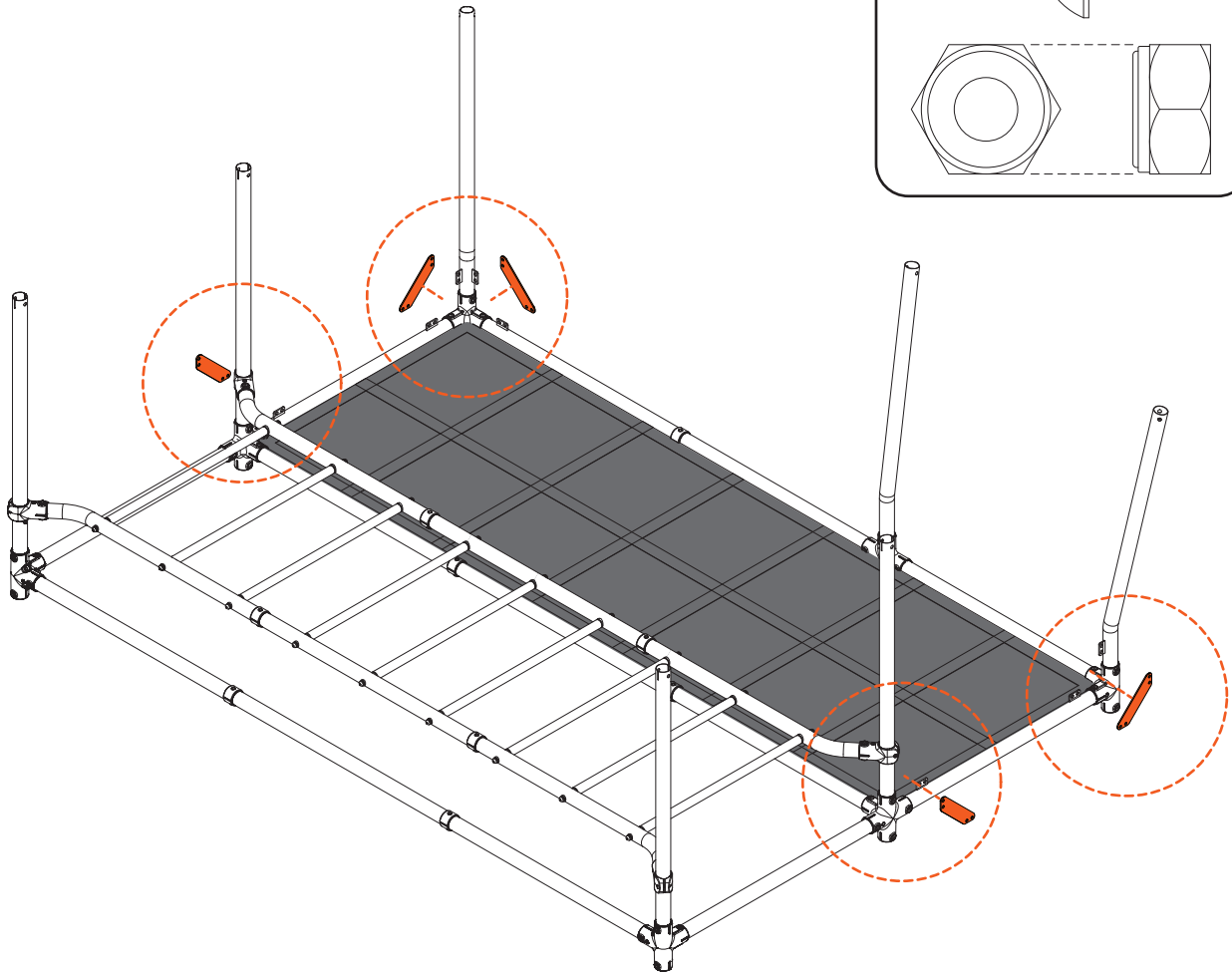
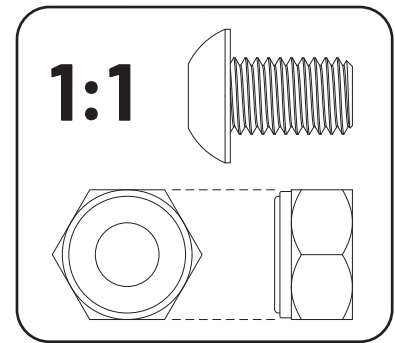
9



WARNING! Ensure that Adjustable Joiner Clamping Bolts are sufficiently tightened to prevent slipping



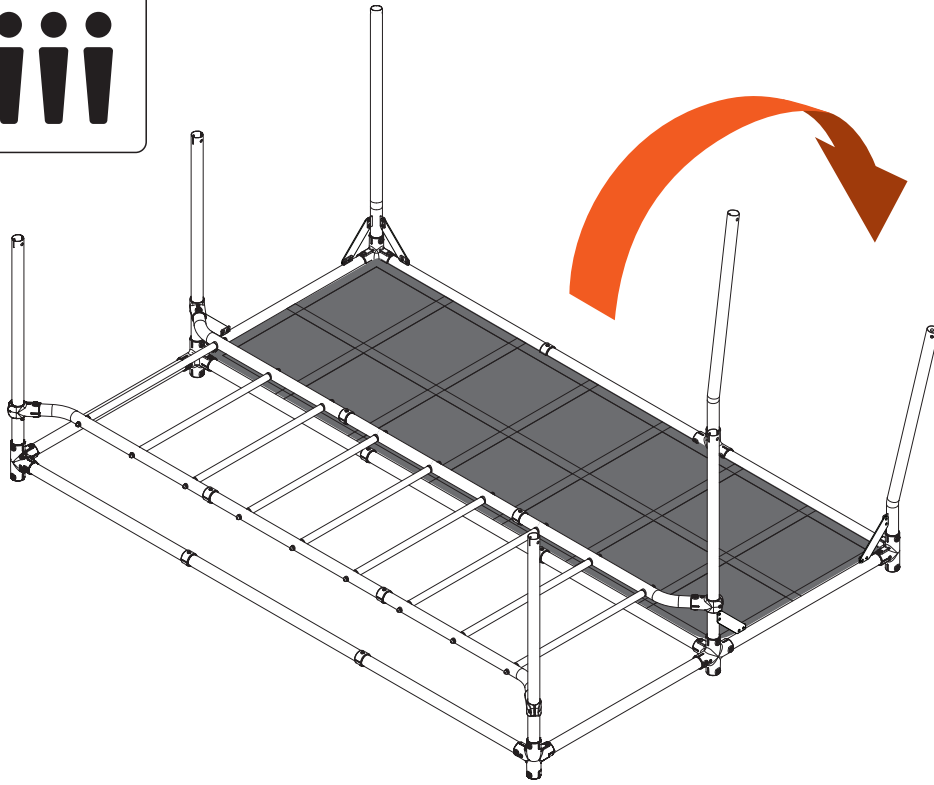
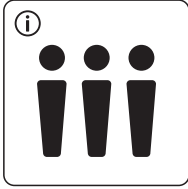
10





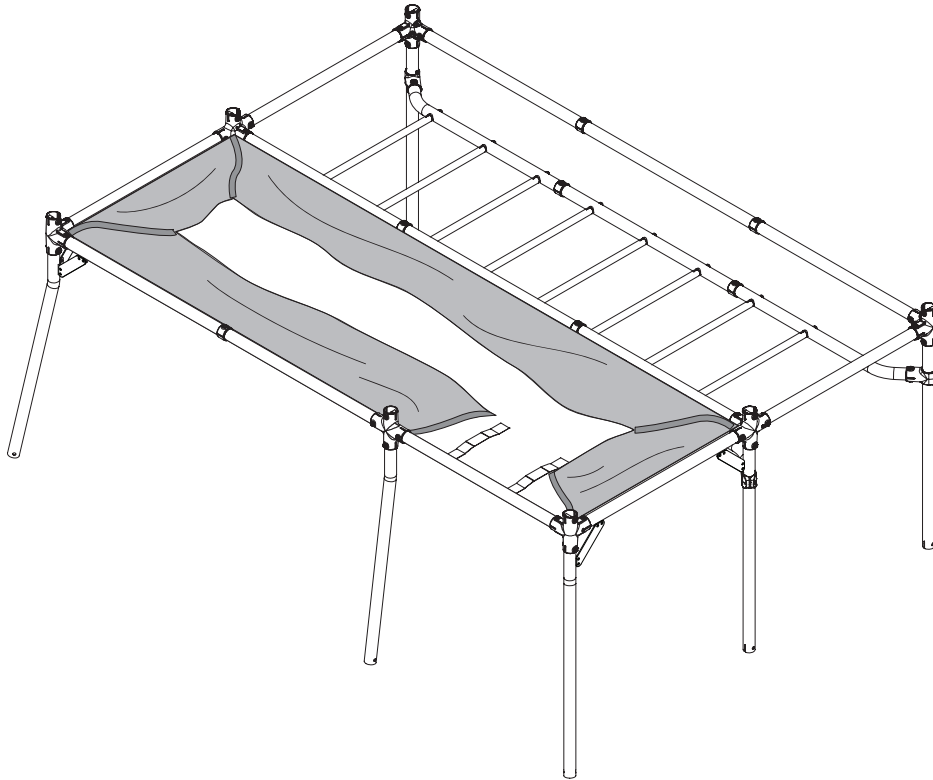
! NOTE: All braces must be securely installed before proceeding to the next step. **!**



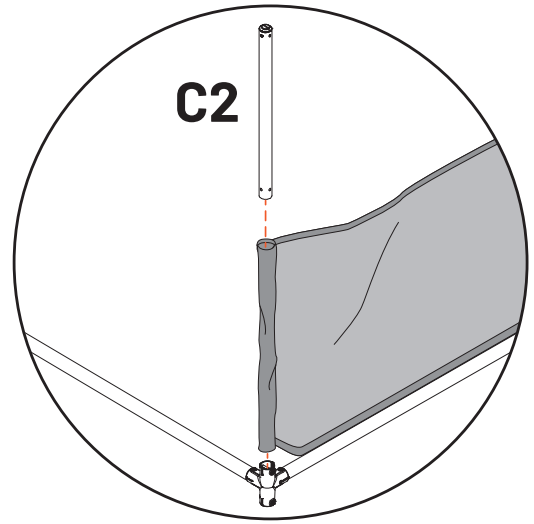
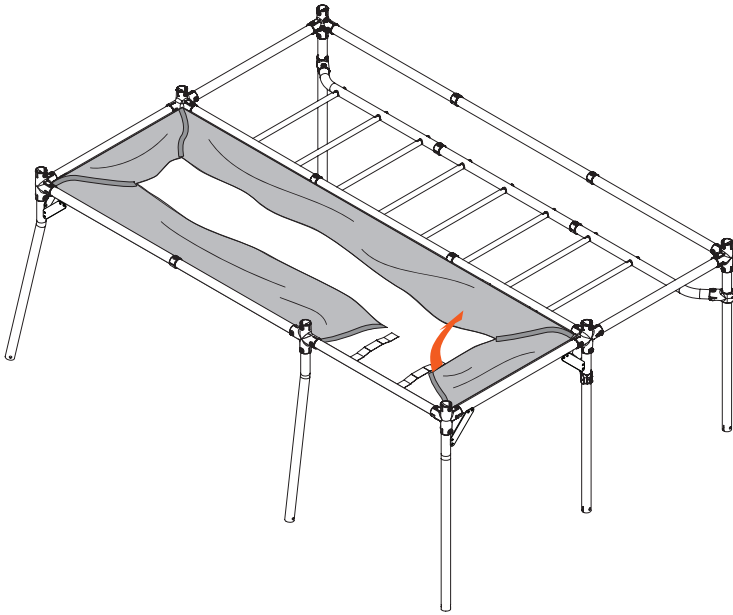
11



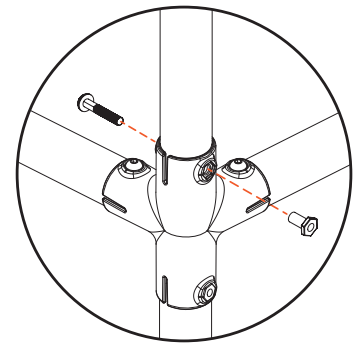
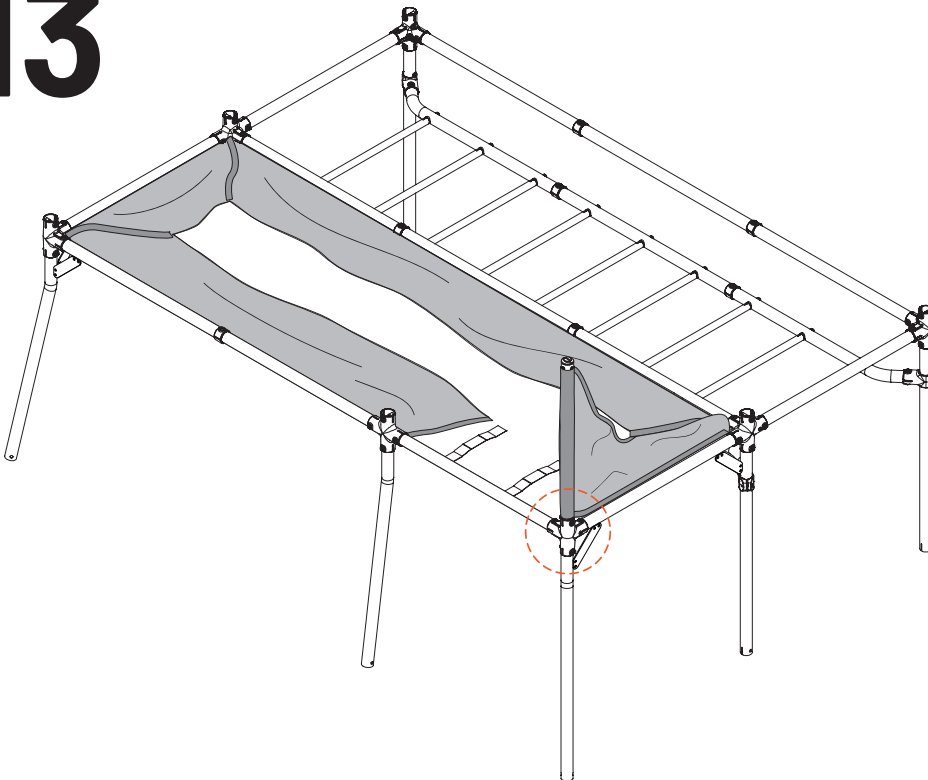
 **WARNING:** Minimum of three people required to flip frame over. 



12



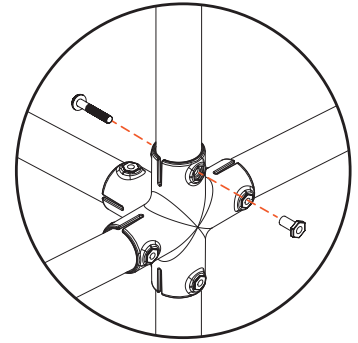
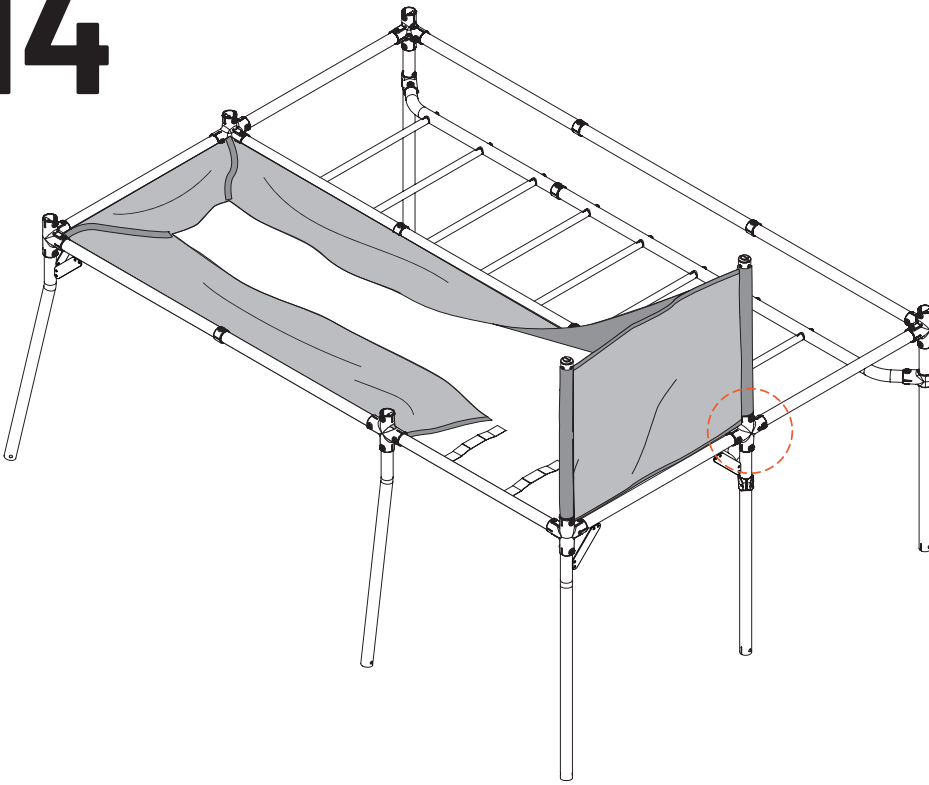
13



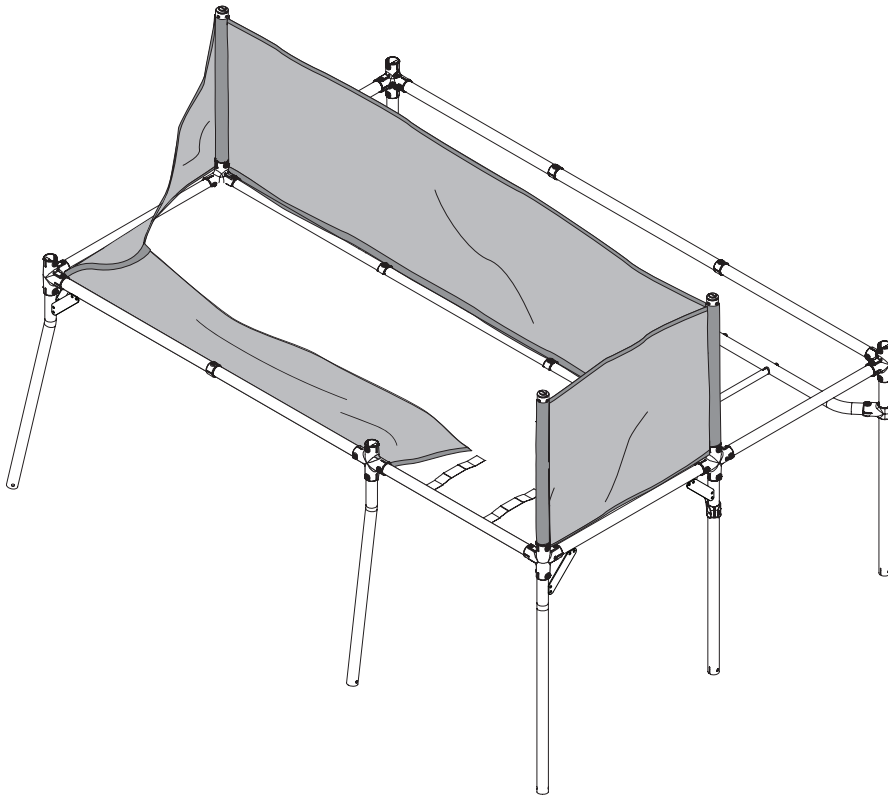
NOTE: If having difficulty inserting fasteners, back the tube out and align as shown in “3.2.1. Joiner Fitting” on page 4



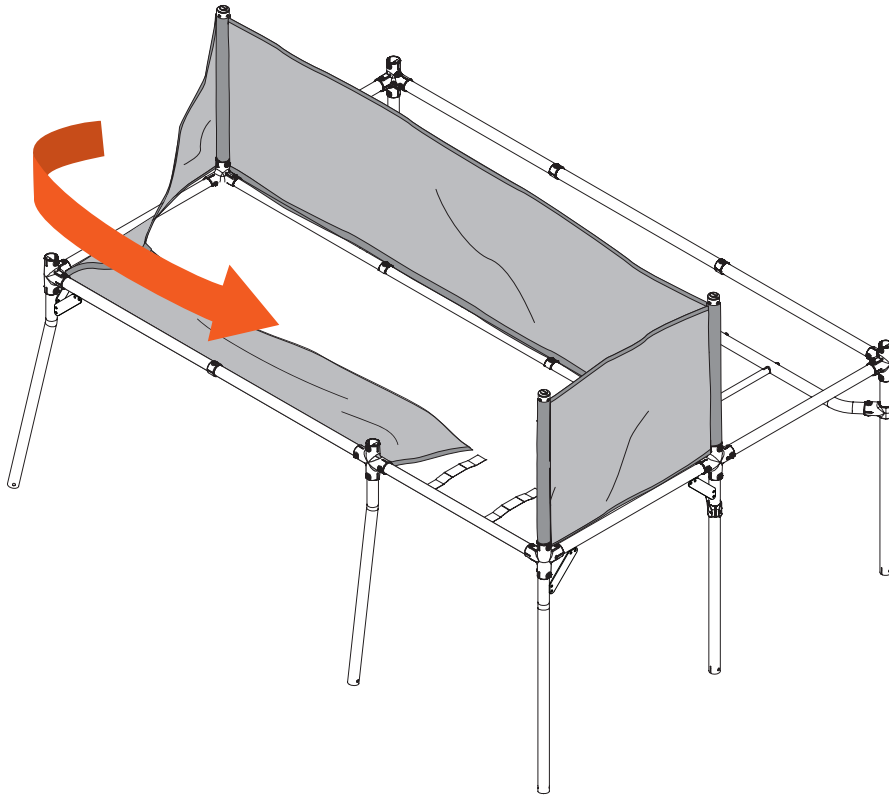
14



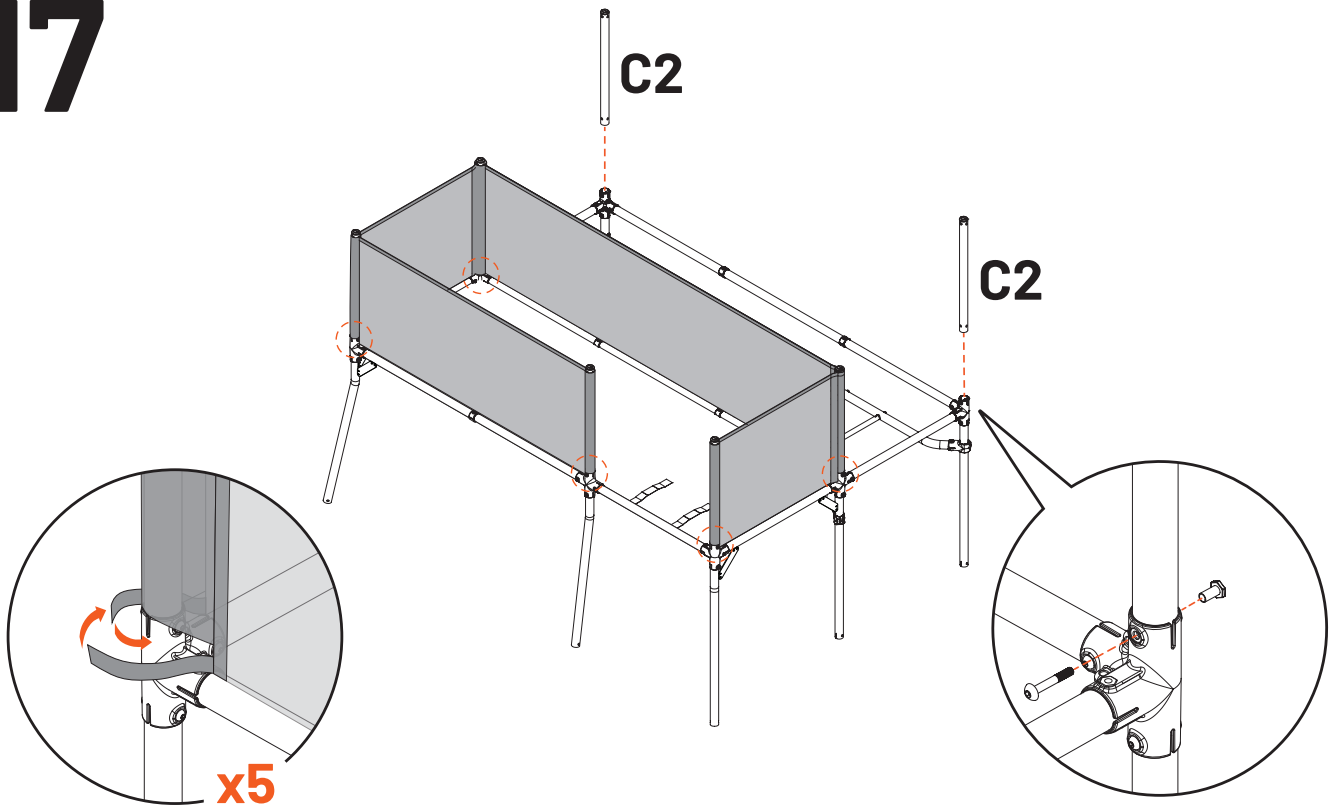
15

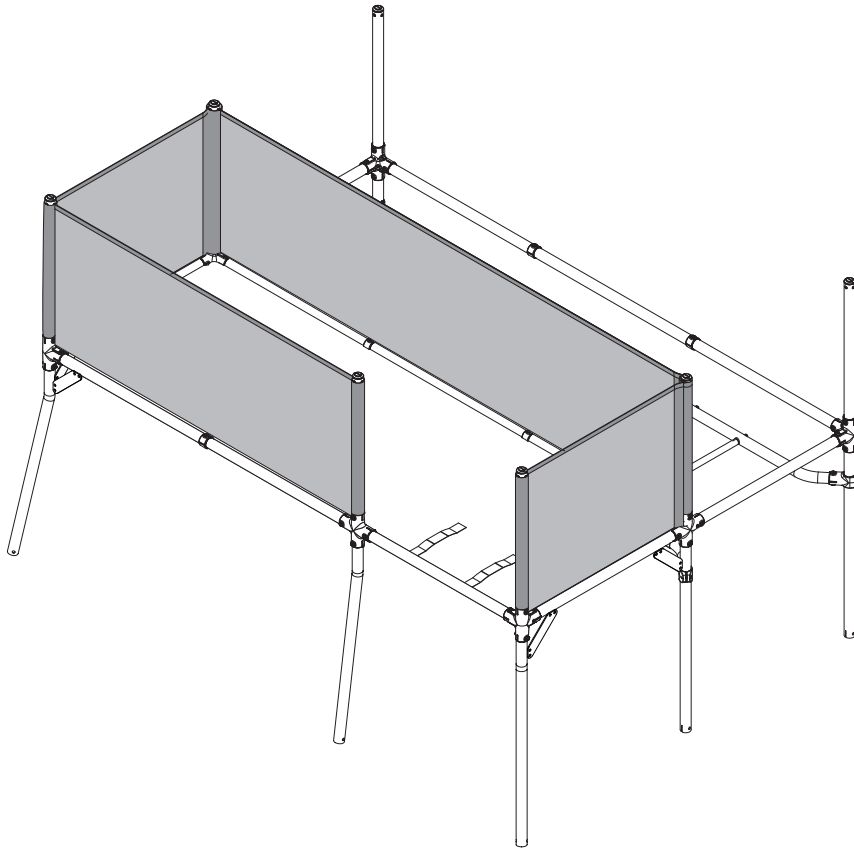


16



17





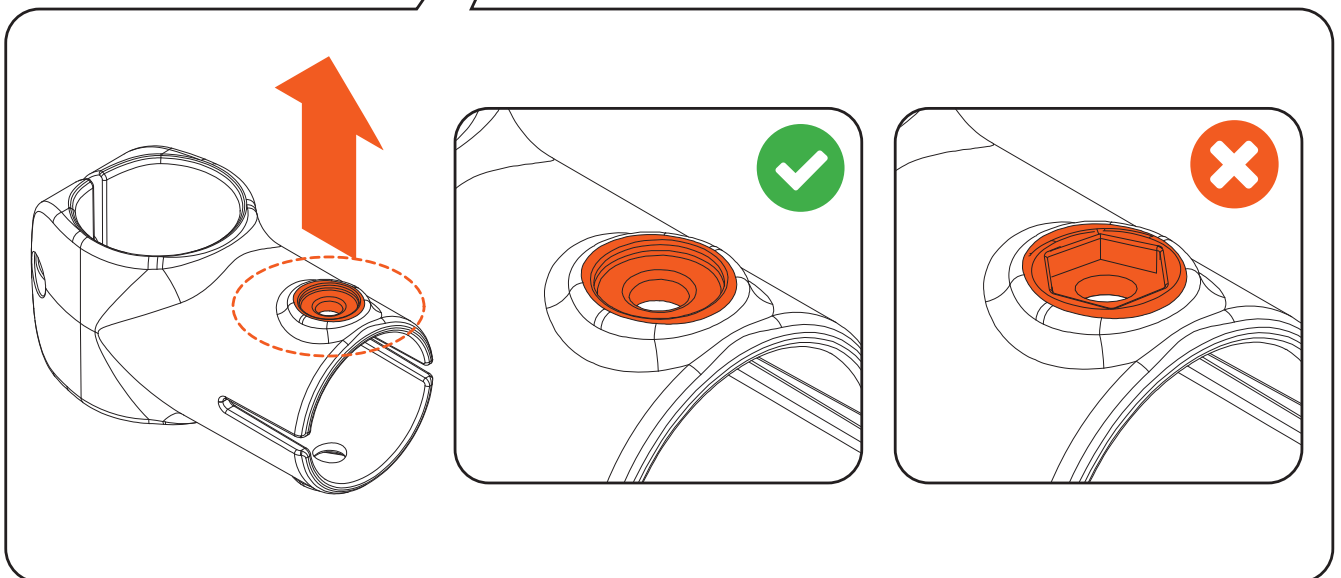
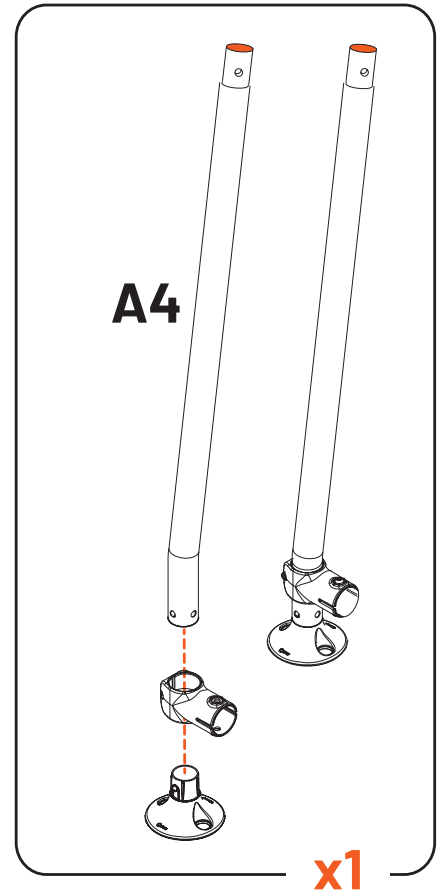
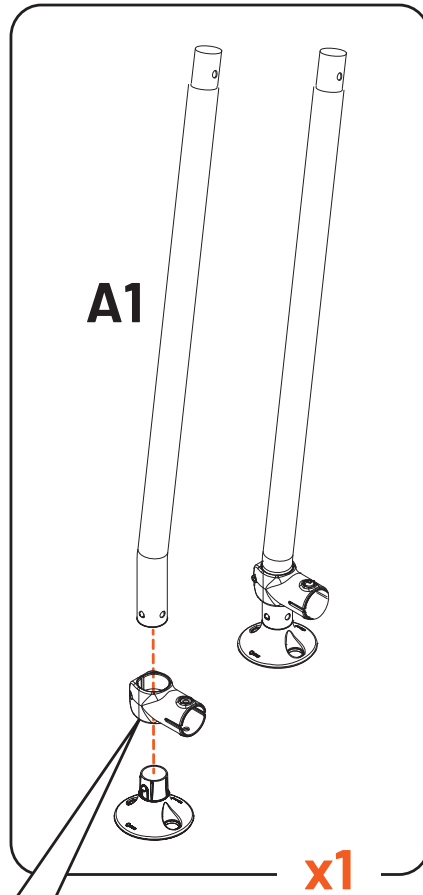
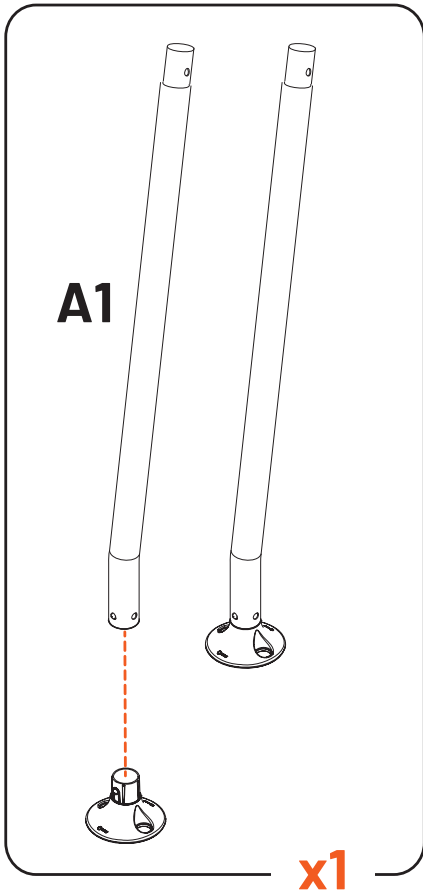
NOTE:



If you don't have a ladder to install the Shade Cover, you can skip ahead to install it before completing the frame assembly.

Go to section **4.8 Shade Cover** →

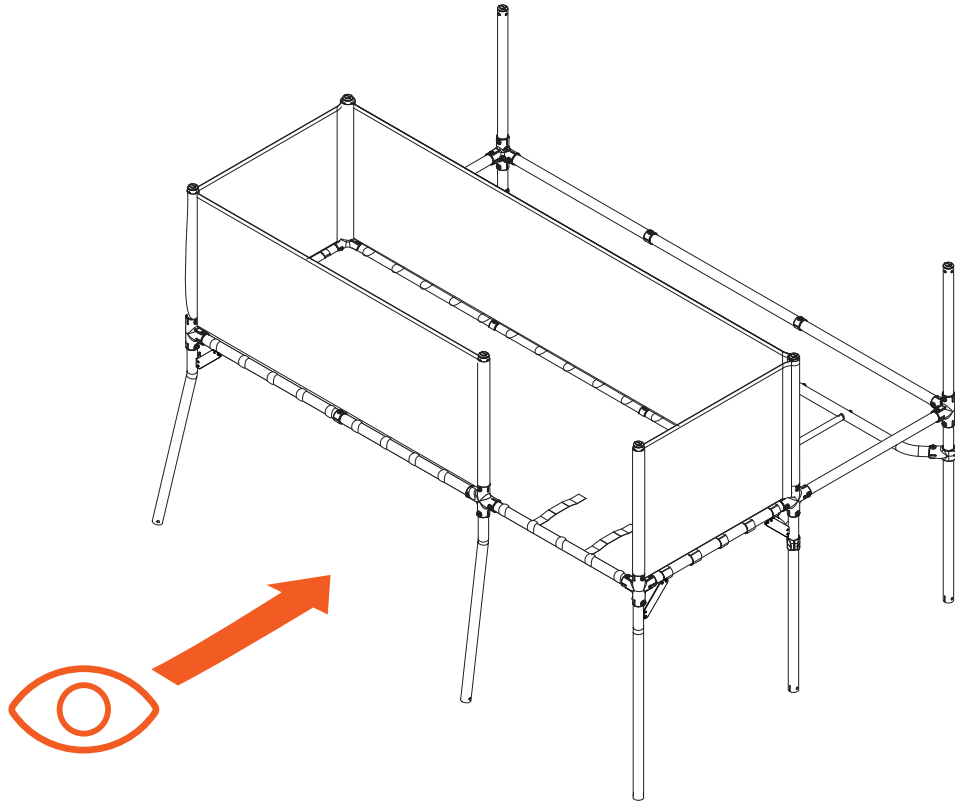


18

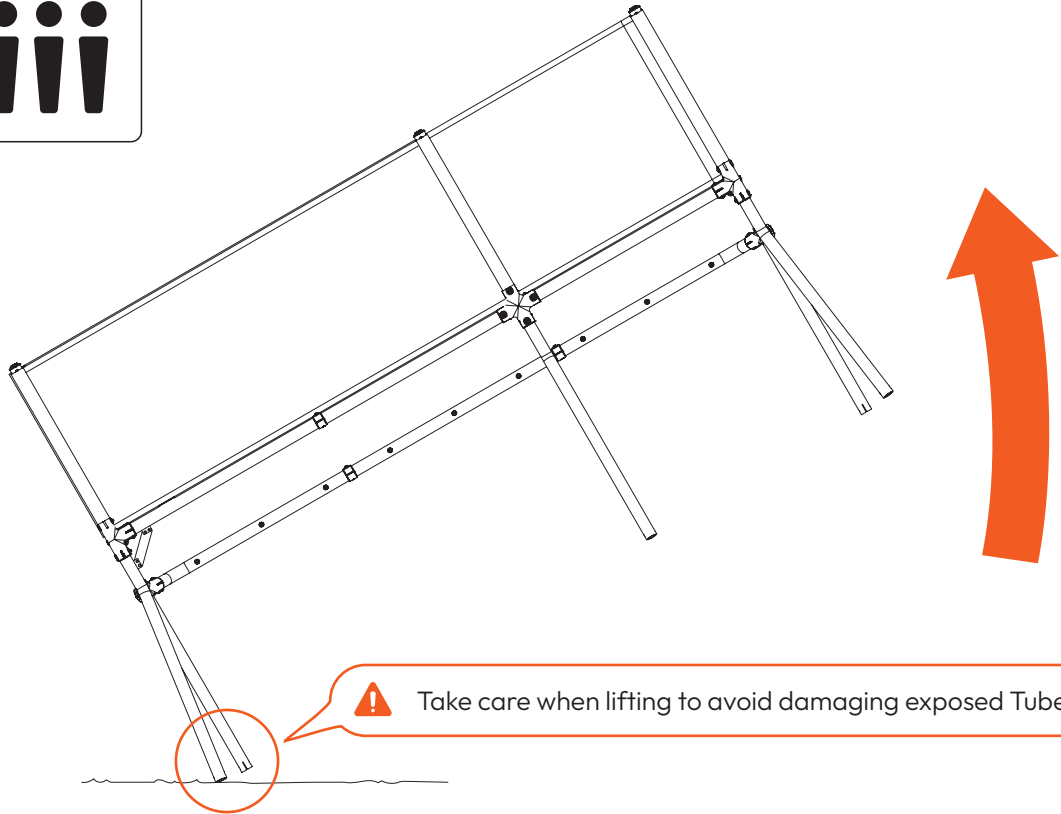


 **NOTE:** For ease of assembly, ensure that bolt holes on the Adjustable Joiners are facing up 





19

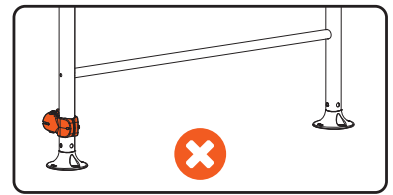
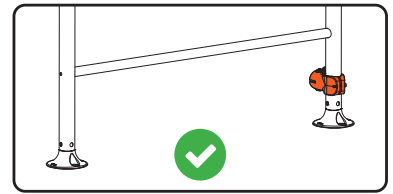
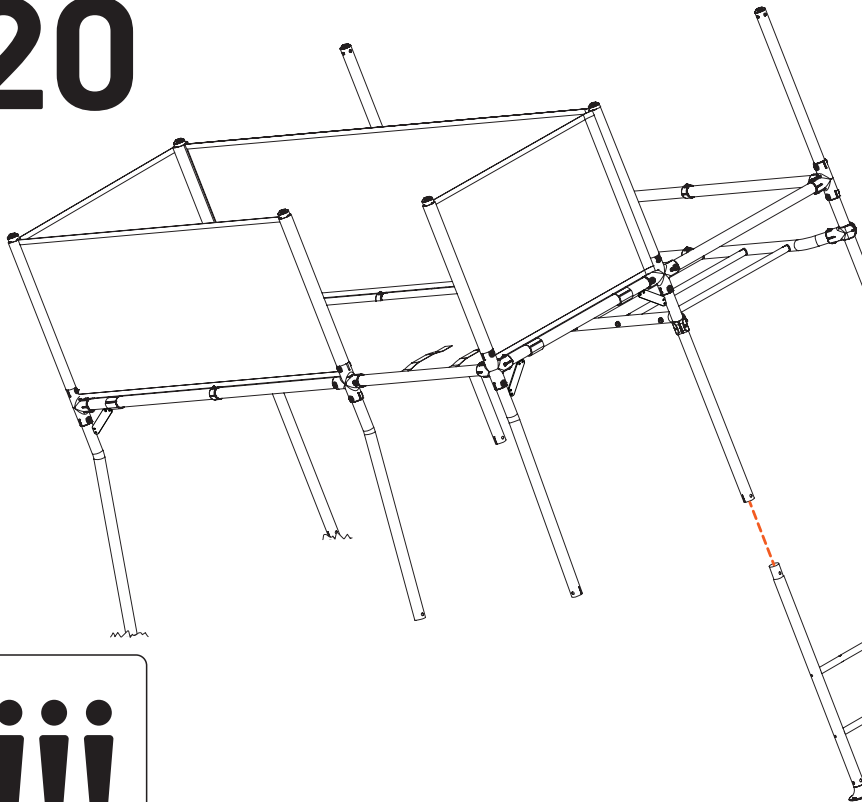


⚠ Take care when lifting to avoid damaging exposed Tube end

⚠ **WARNING!** These steps requires a minimum of three people. Lift with a straight back. ⚠



20



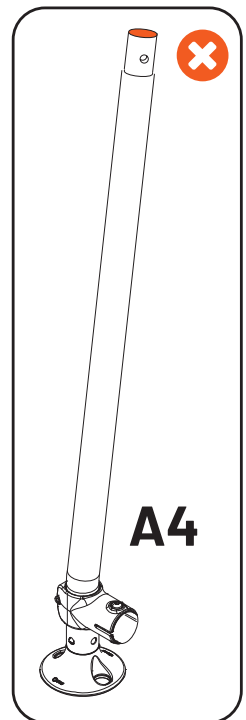
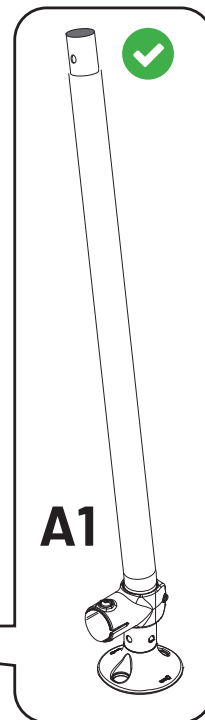
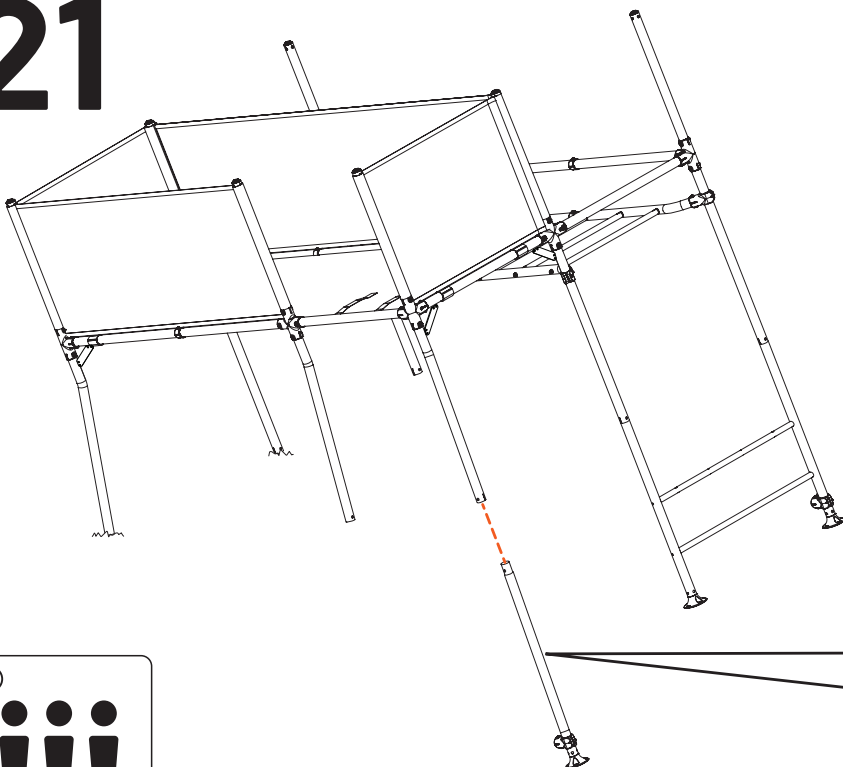
H-FRAME



NOTE: Ensure that Adjustable Joiner on the H-Frame is located on the outside corner

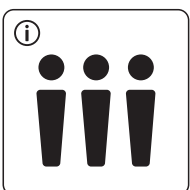


21



A1

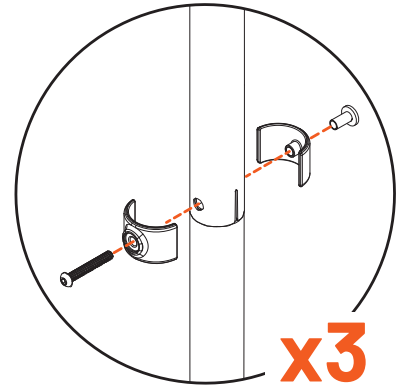
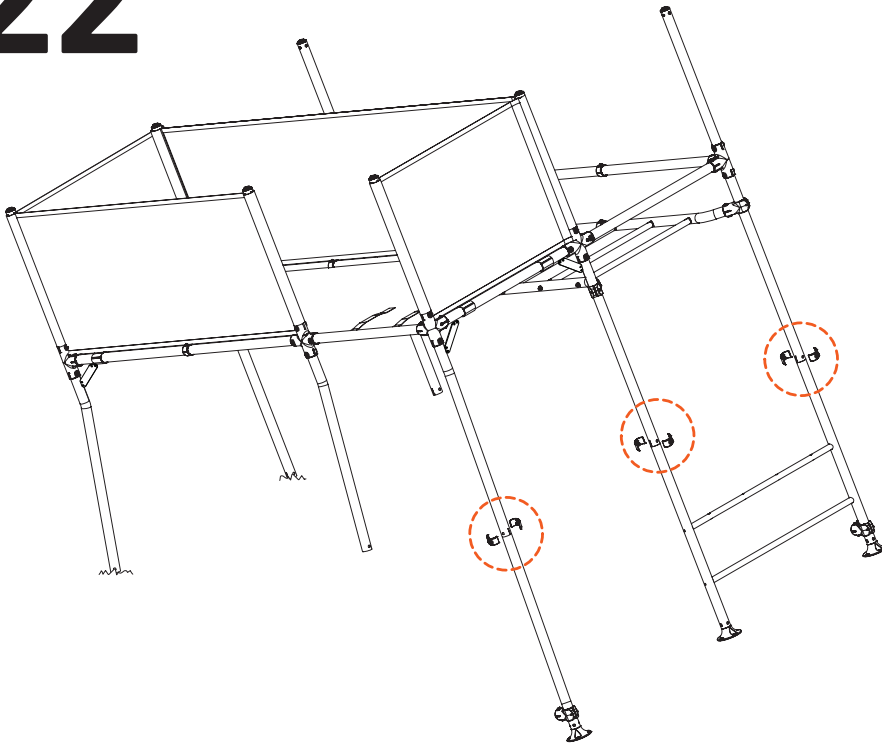
A4



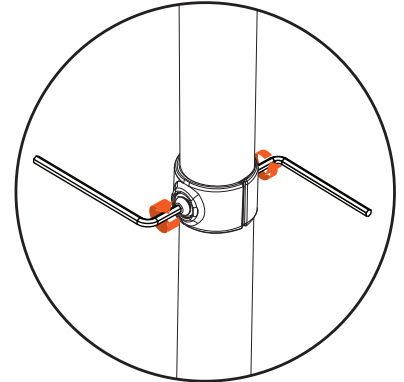
NOTE: Ensure that the A1 Leg Subassembly **with** an Adjustable Joiner is used for this step



22



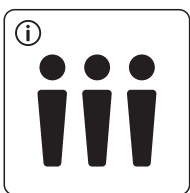
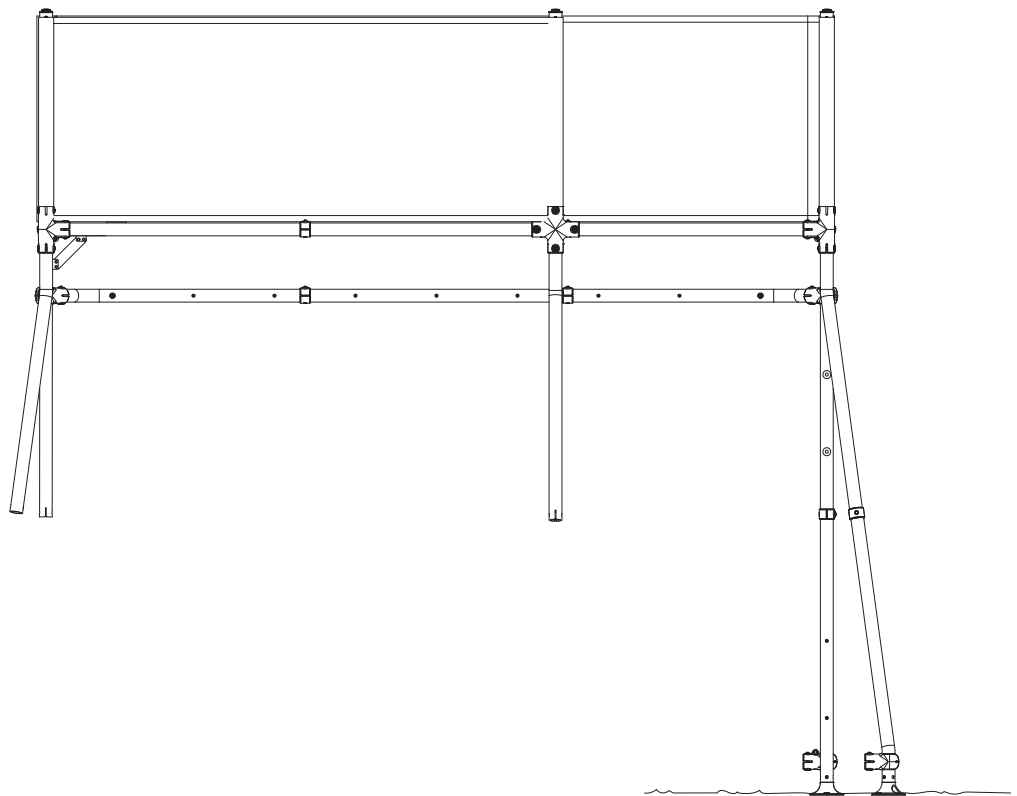
x3



NOTE: With all legs on one side attached, move to the opposite side of the Quest



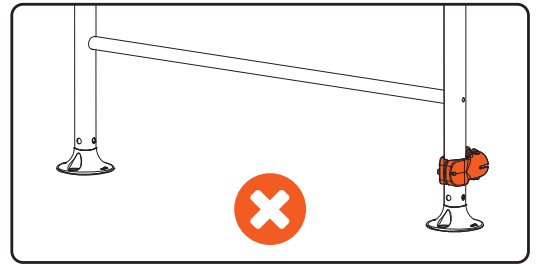
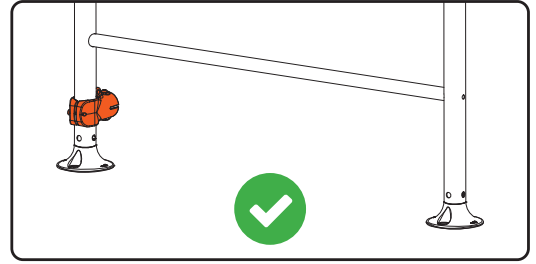
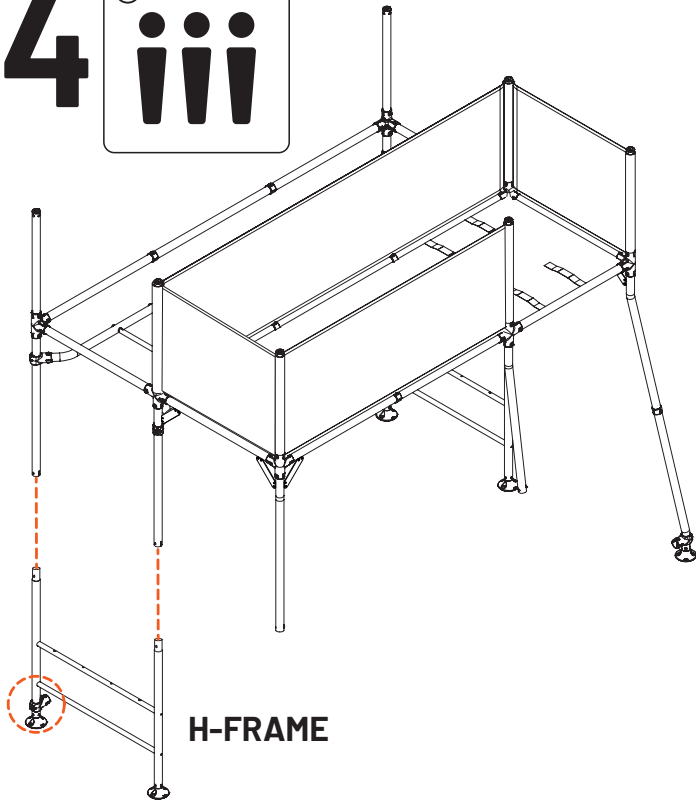
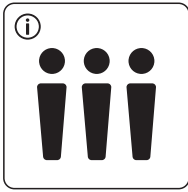
23





WARNING! These steps requires a minimum of three people. Lift with a straight back.

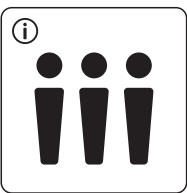
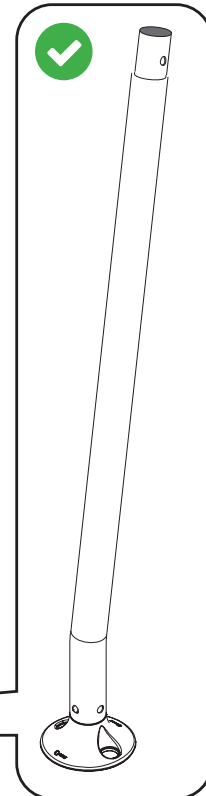
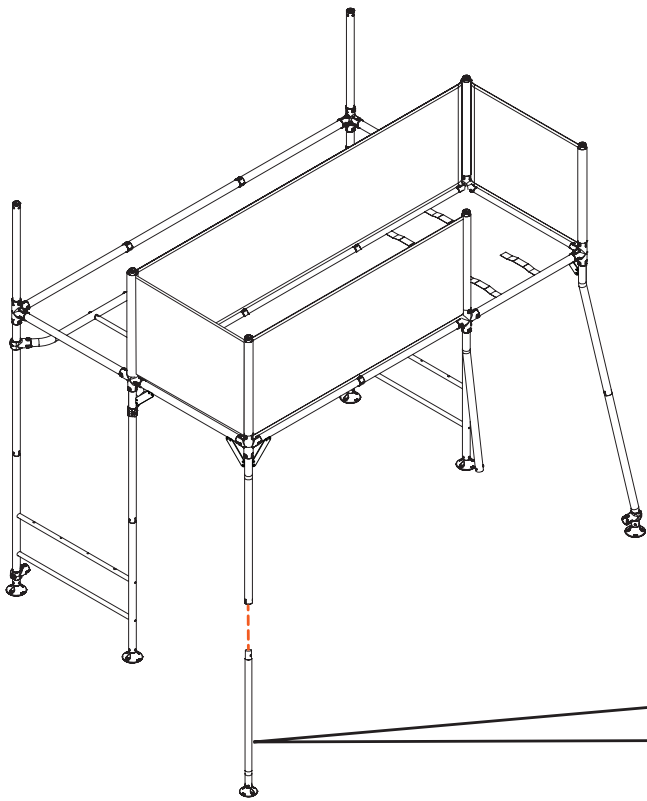


24



 **NOTE:** Ensure that Adjustable Joiner on the H-Frame is located on the outside corner 

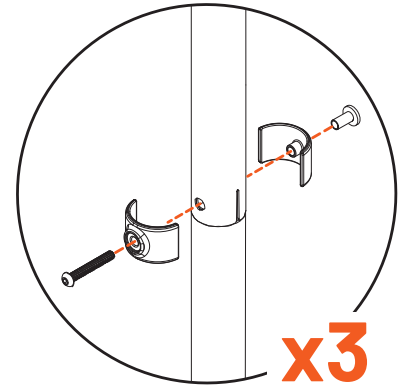
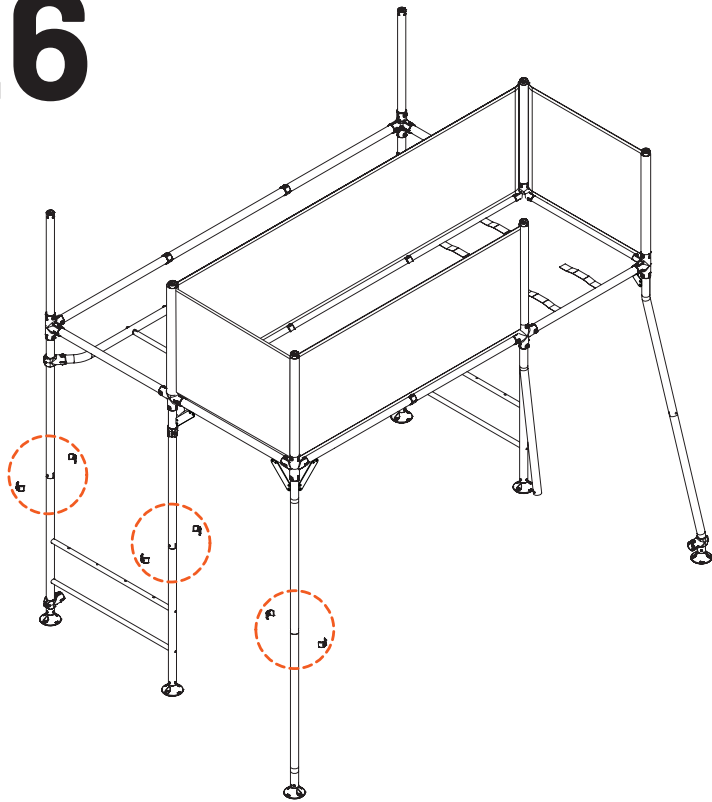
25



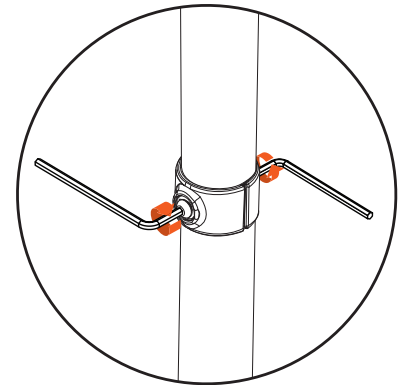
 **NOTE:** Ensure that the A1 Leg Subassembly **without** an Adjustable Joiner is used for this step 



26

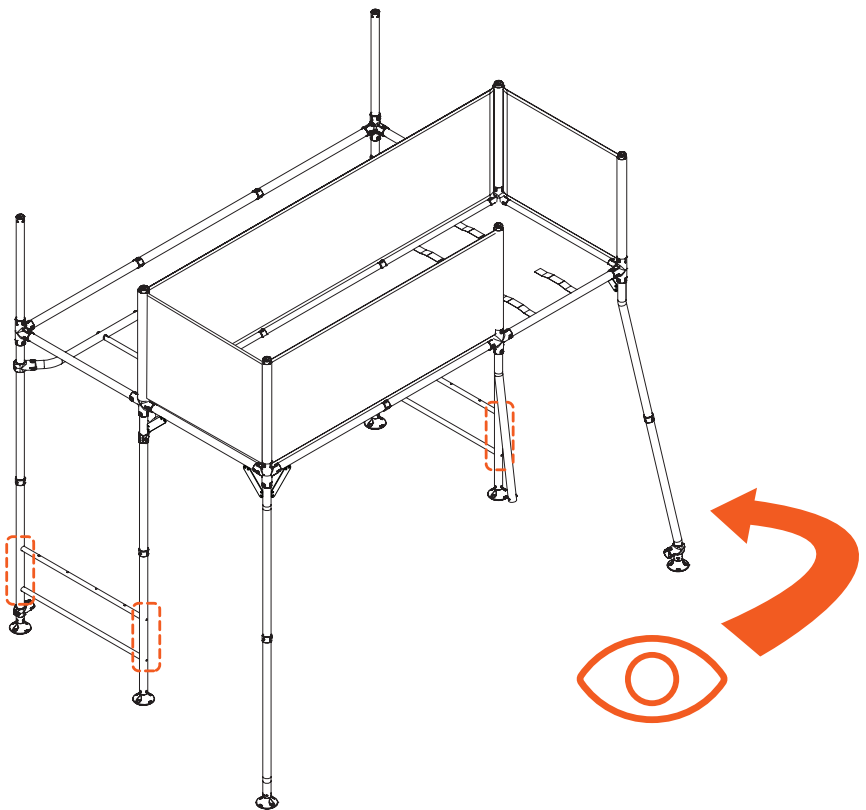
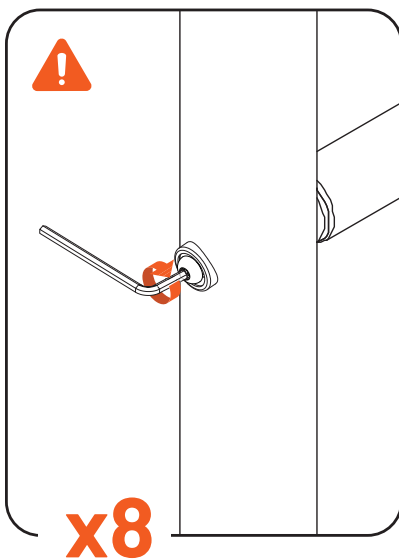


x3



NOTE: Secure lower legs with Tube to Tube Joiners

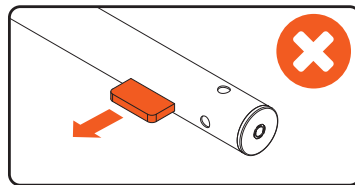
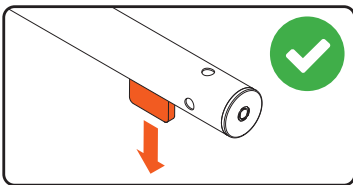
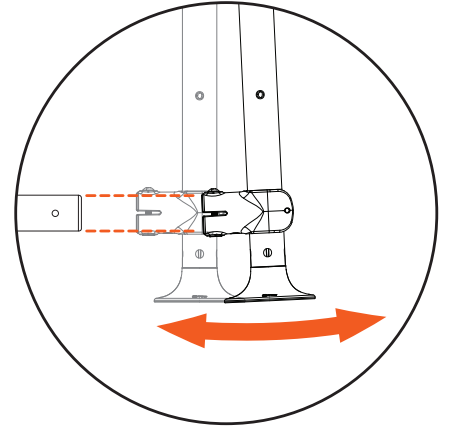
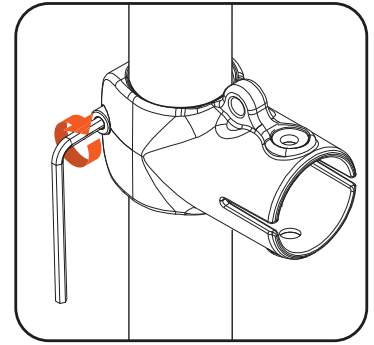
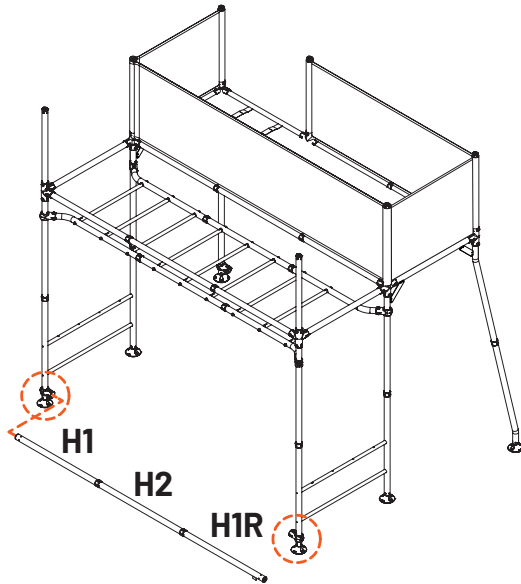
27



WARNING! Tighten all Step-Tube Fasteners on the H-Frame Sub-Assemblies



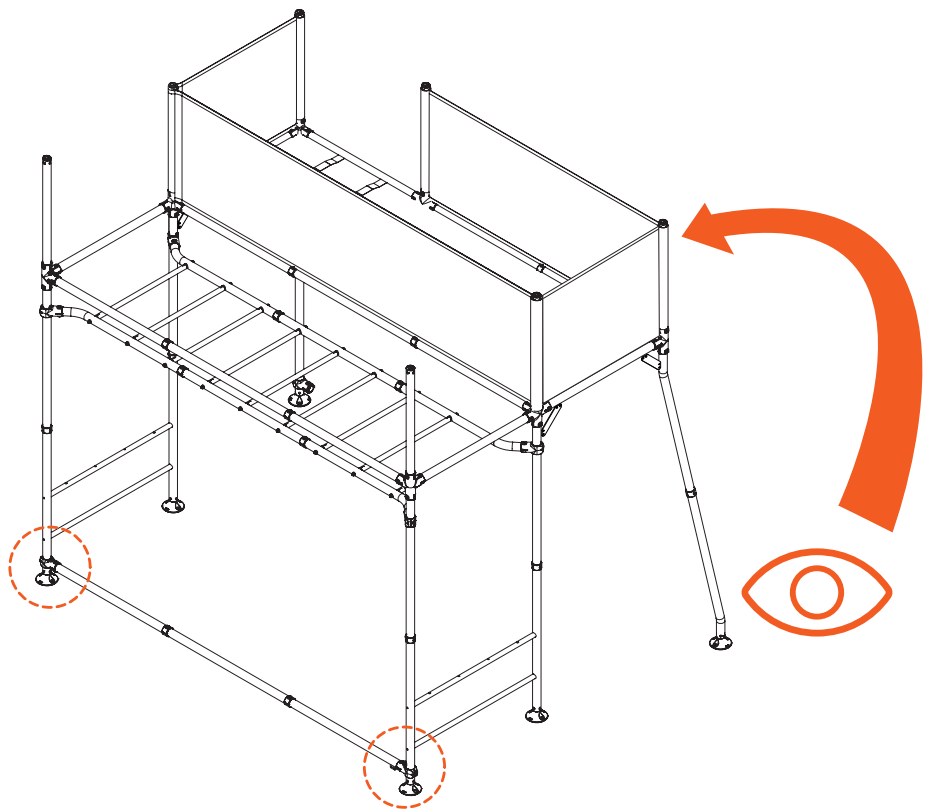
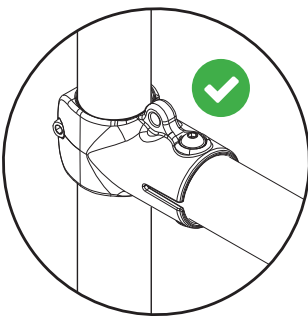
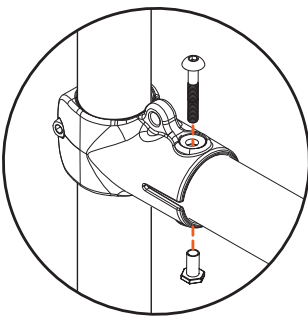
28



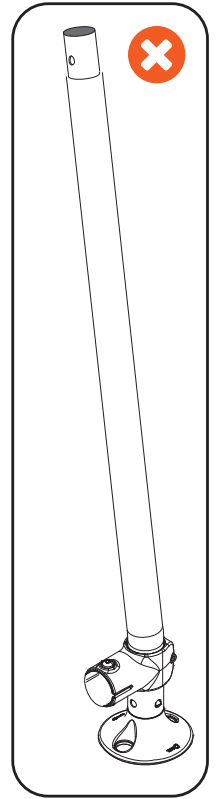
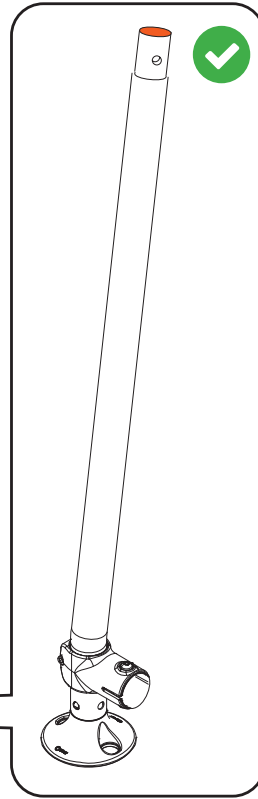
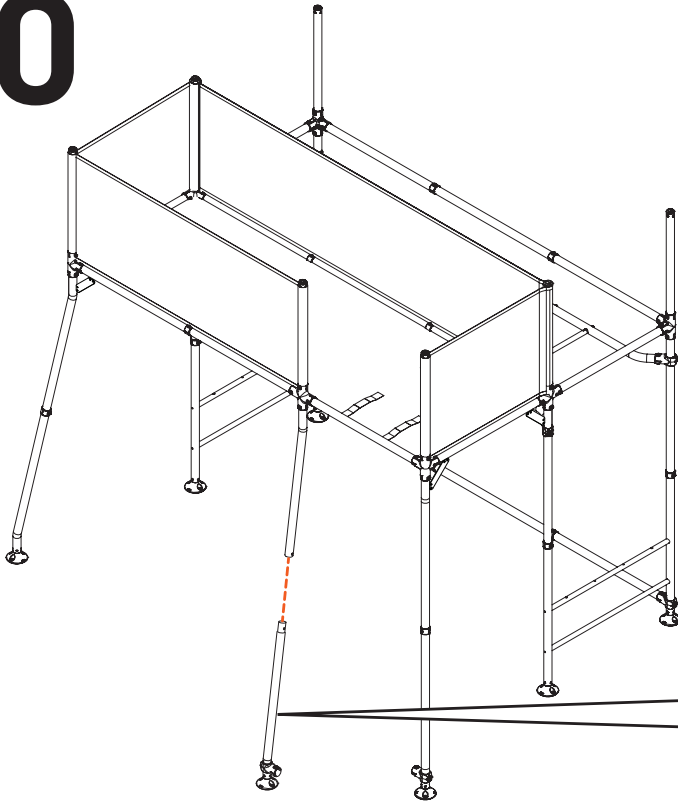
NOTE: With a second person, pull out H-Frame to assist in inserting the other end of the 3M Span.

WARNING! Install H1R with covered tab facing down.

29



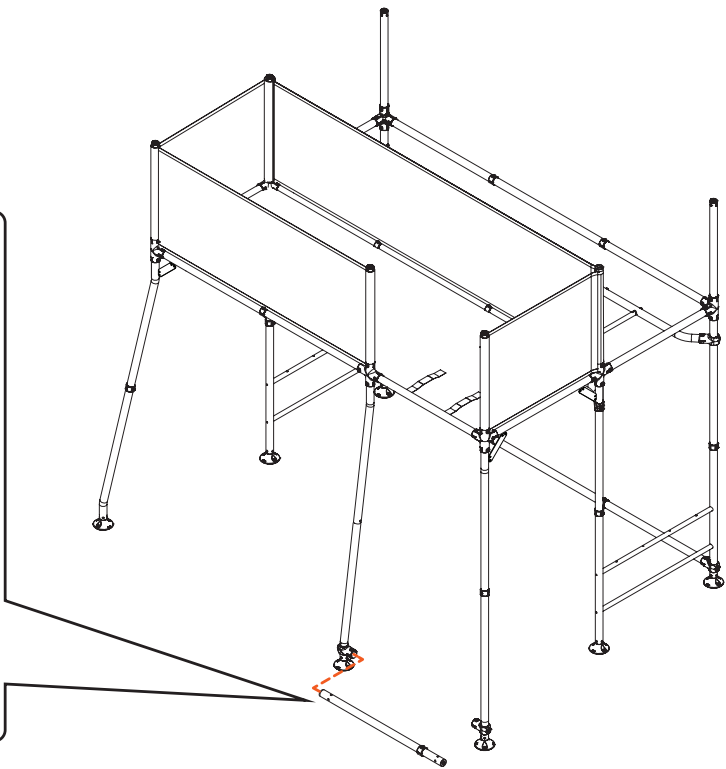
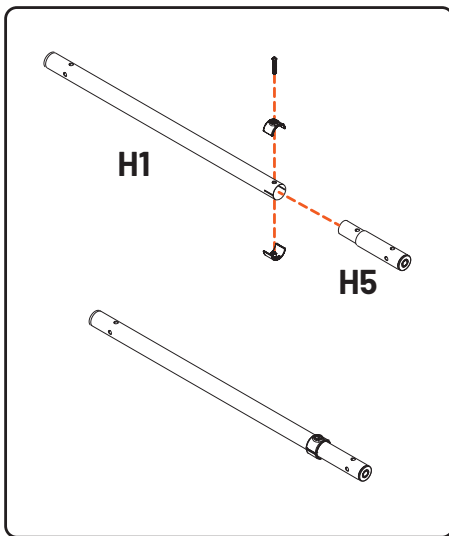
30



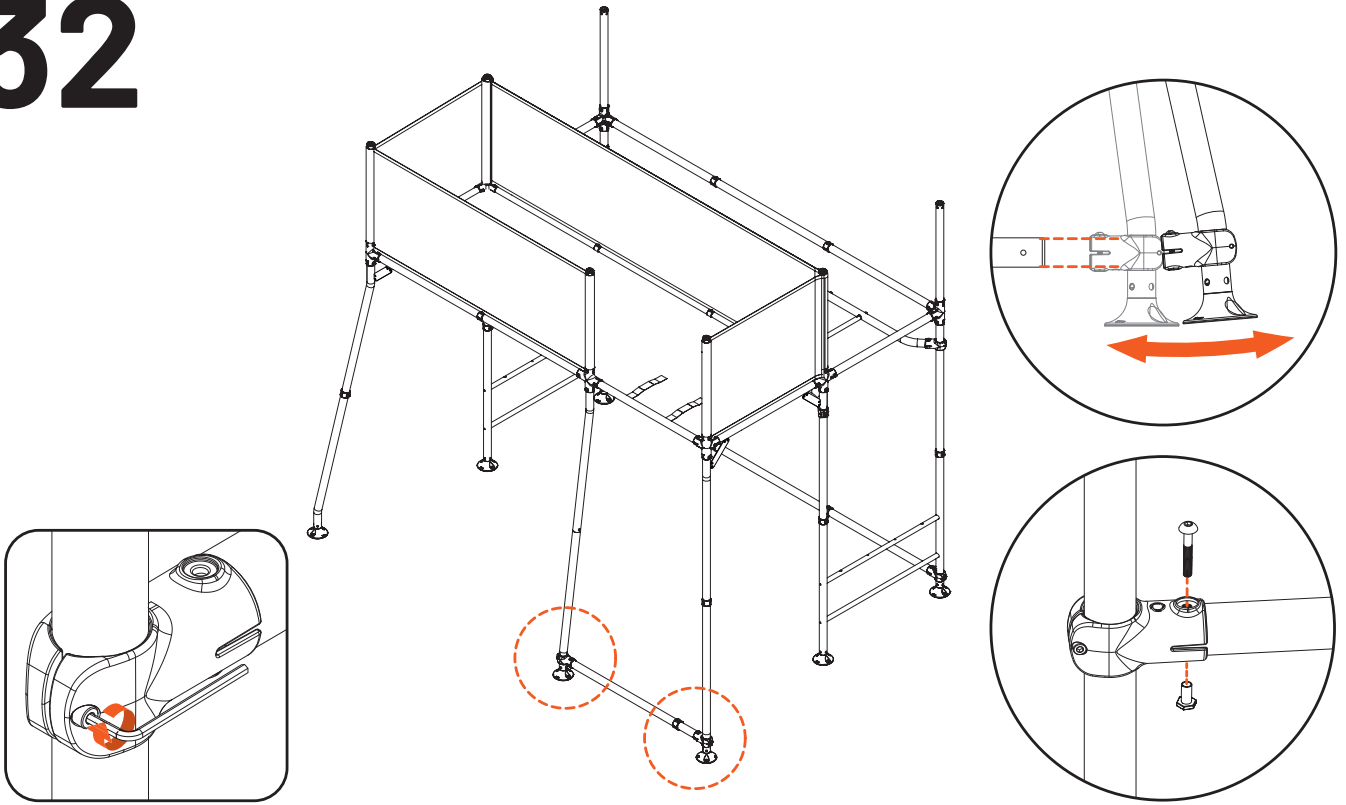
NOTE: Ensure that the A4 Leg Subassembly **with** an Adjustable Joiner is used for this step



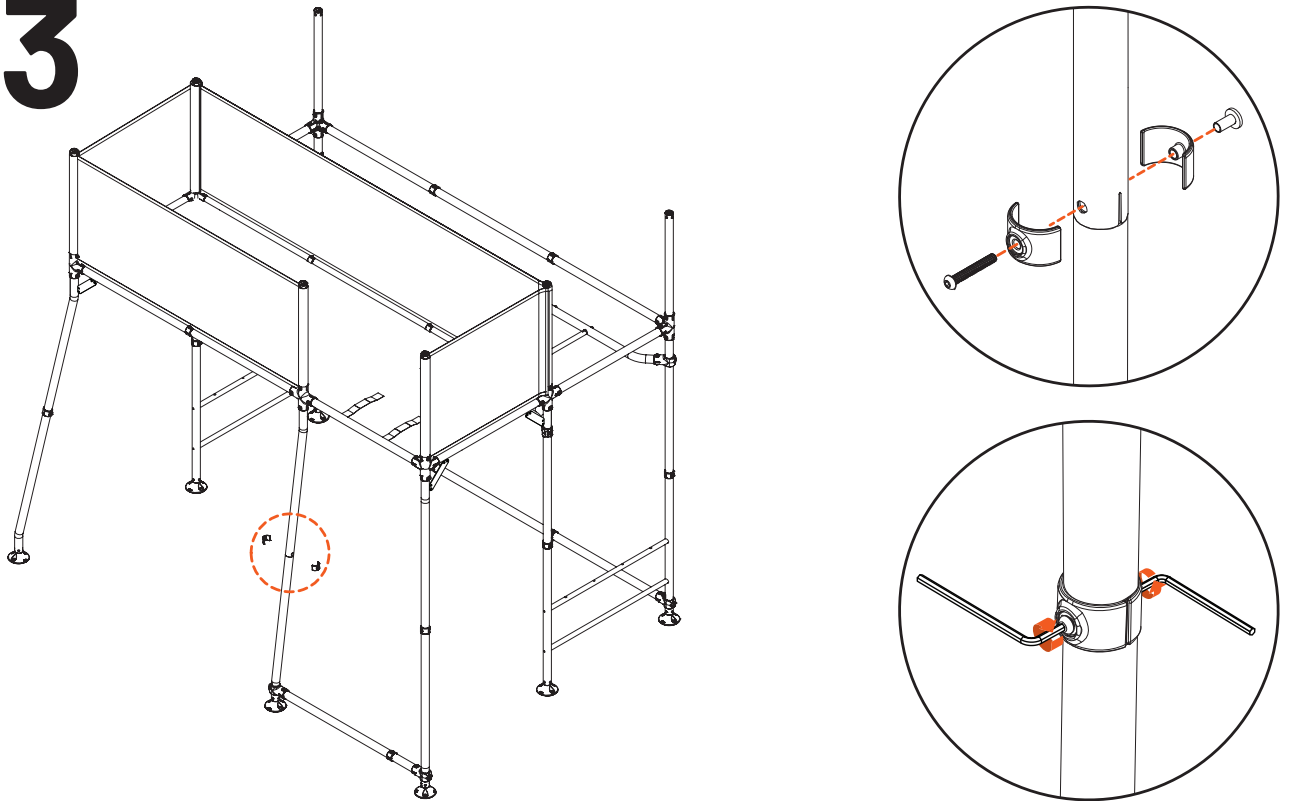
31



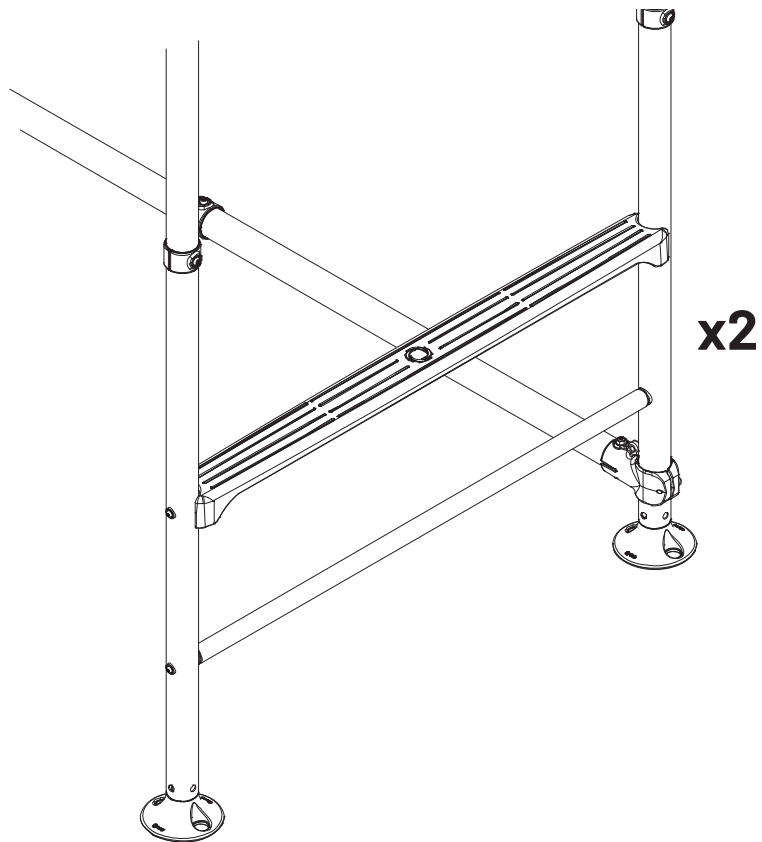
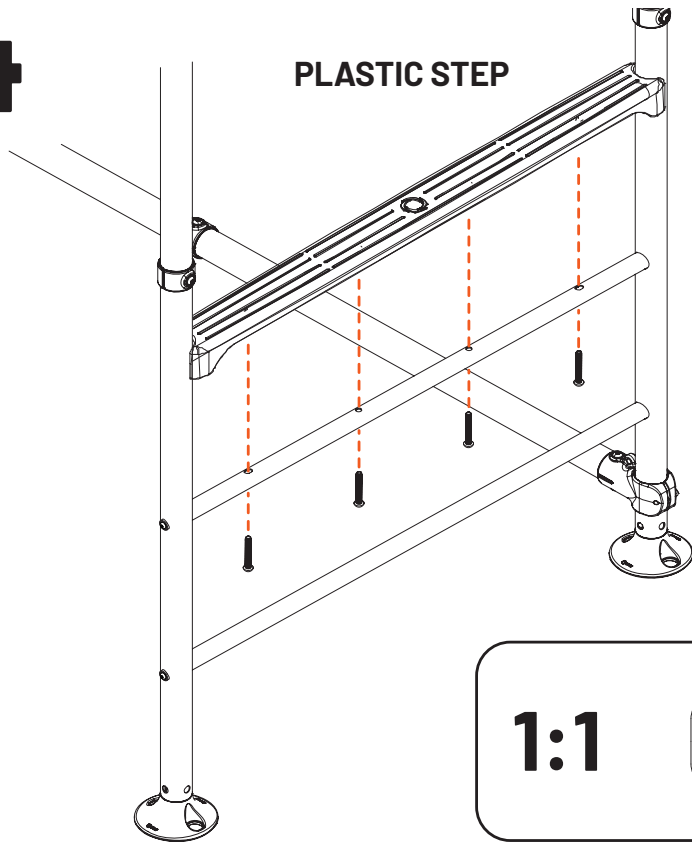
32



33

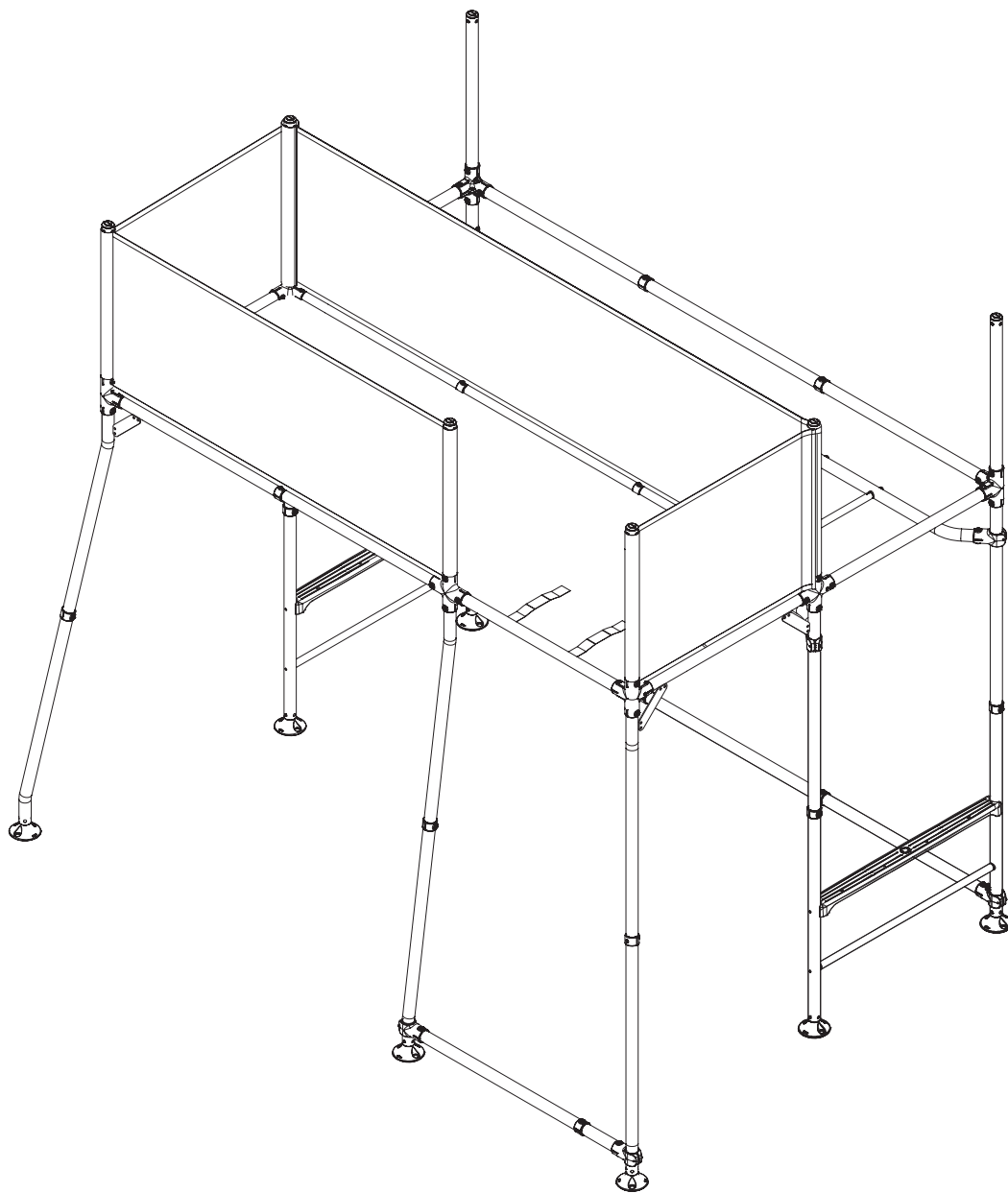


34



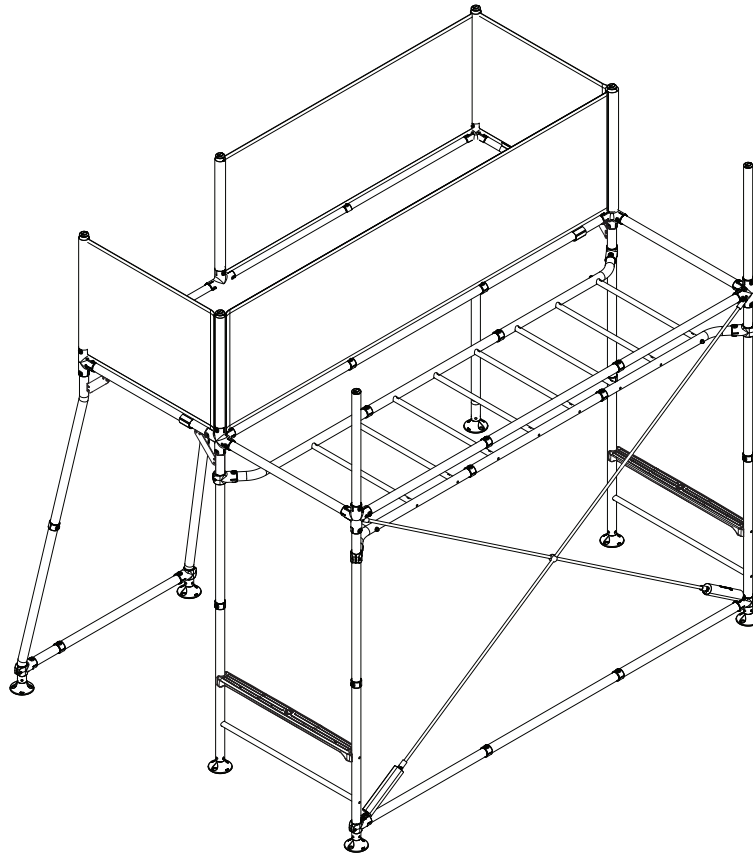
NOTE: Ensure both Plastic Steps are securely installed on the frame.





4.6. CROSS BRACE

ENSURE THAT AS YOU ASSEMBLE THE PRODUCT, YOU FIRMLY TIGHTEN ALL NUTS AND BOLTS, UNLESS DIRECTED.



Required Components

Misc

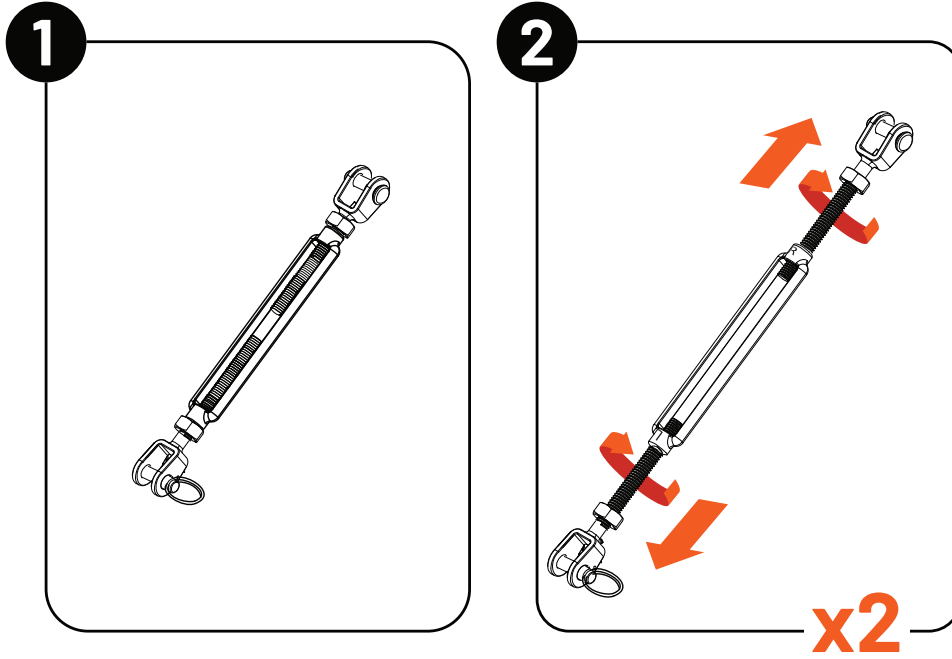
- Cross Brace Ropex1
- Cross Brace Adjusterx2
- Foam Coverx2

Tools

- 17mm Spannerx1

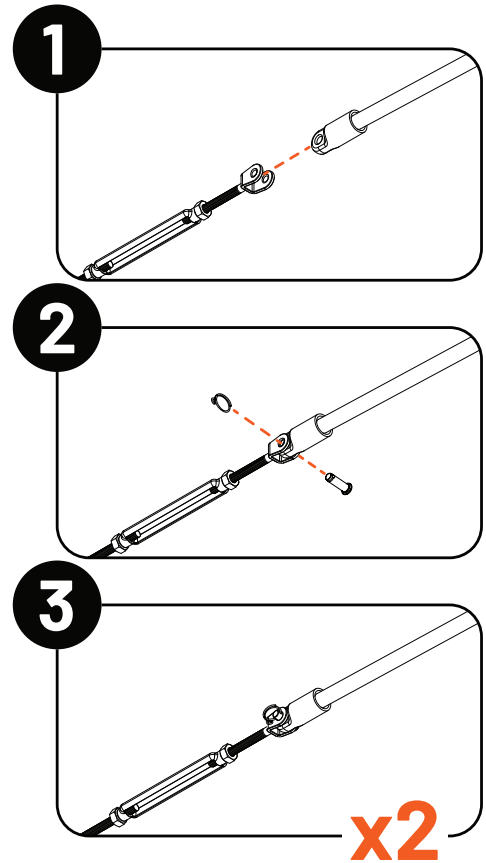
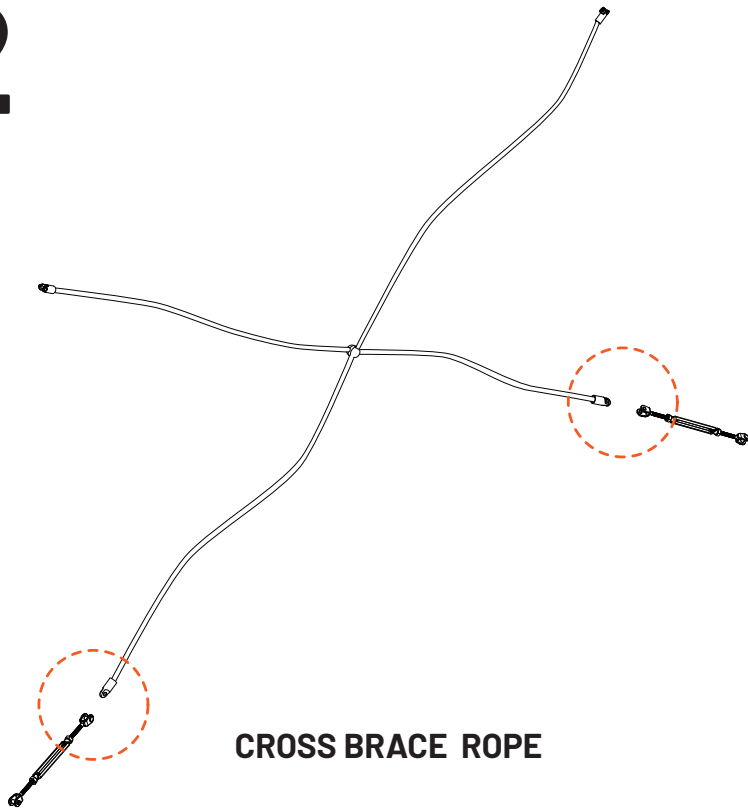


1

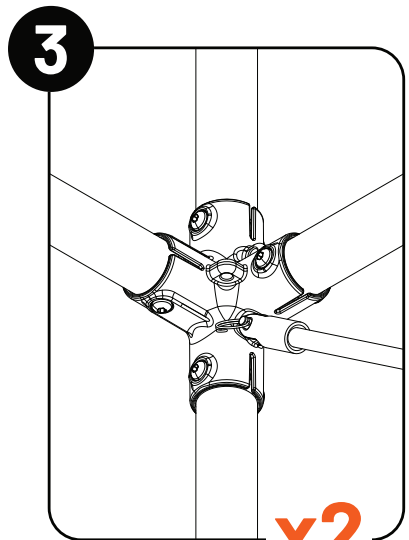
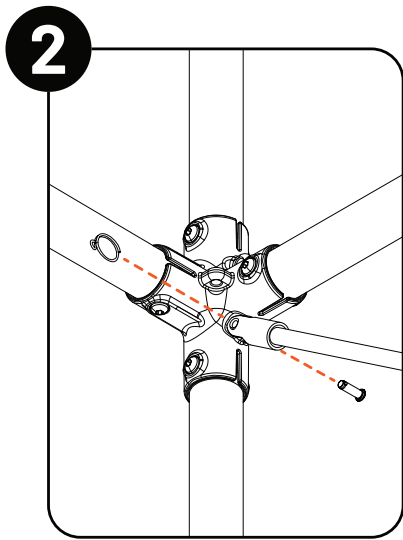
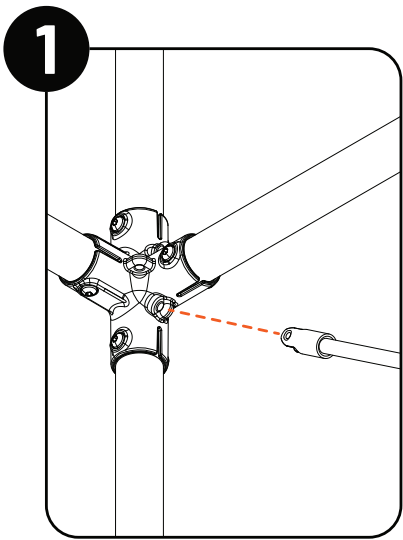
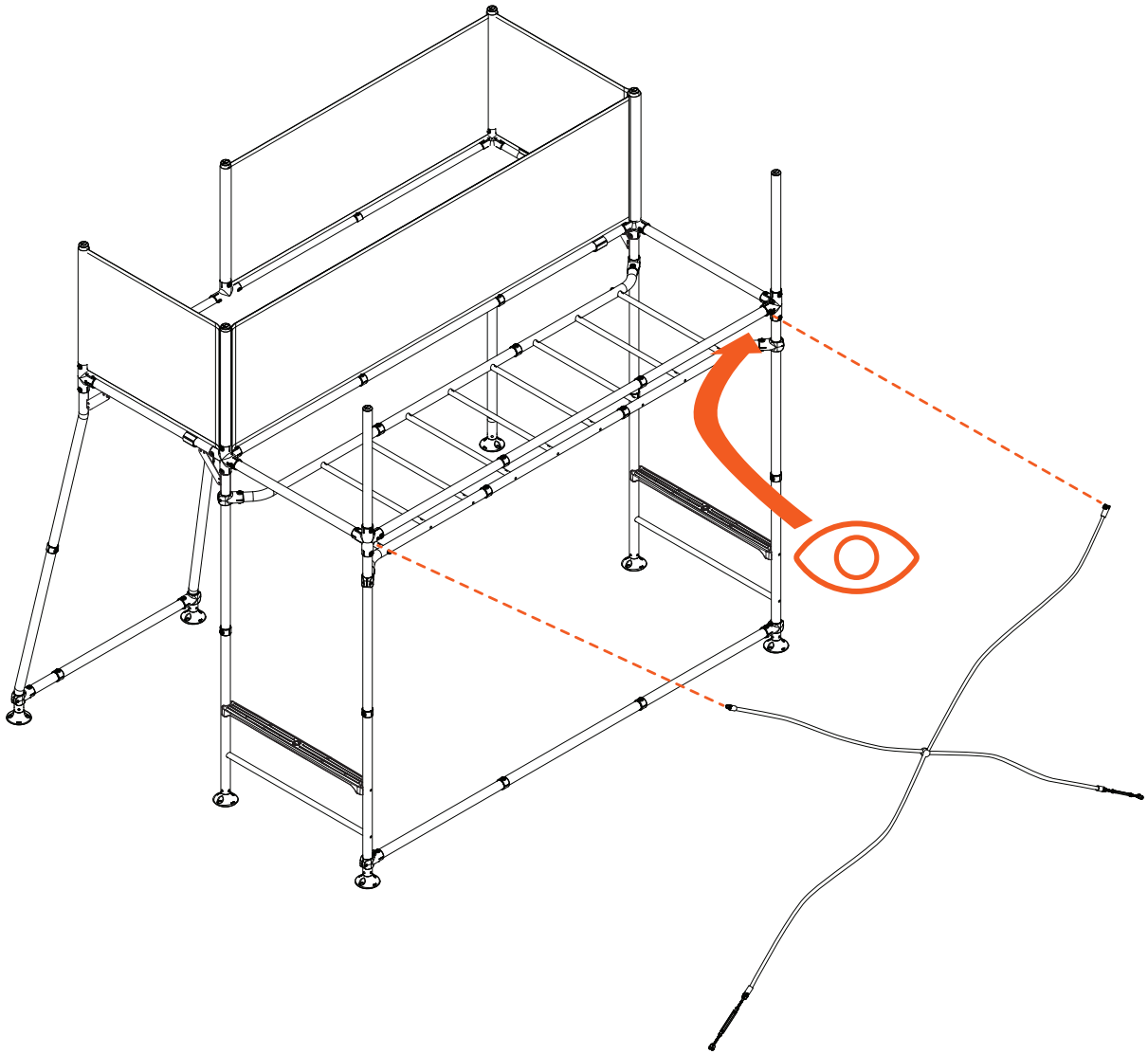


NOTE: To allow for easy attachment of the cross brace, turn to extend the turnbuckles to full length

2



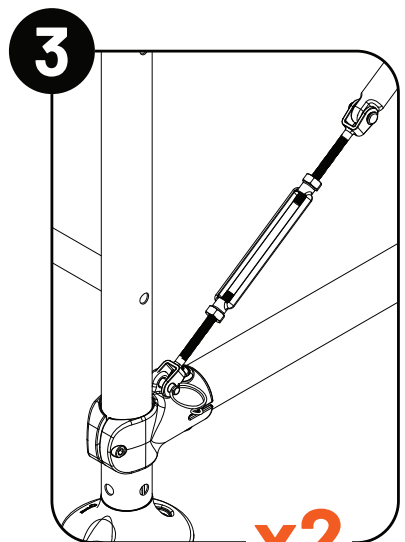
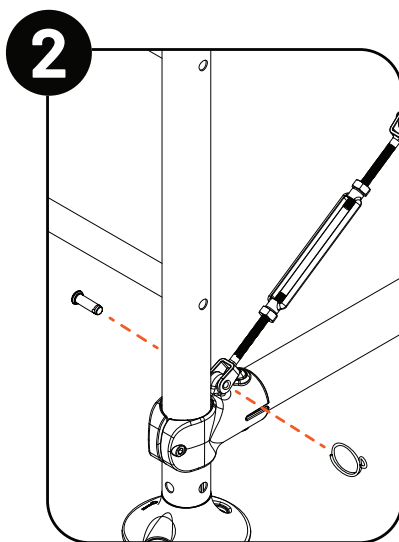
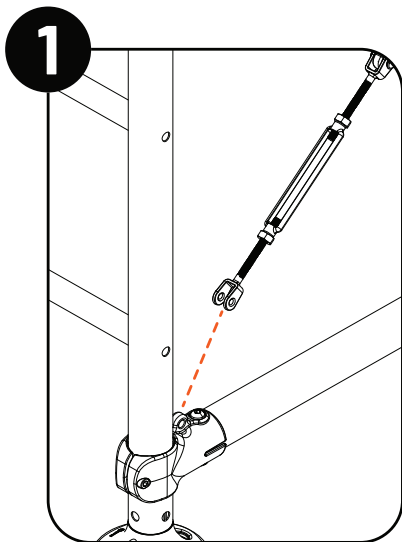
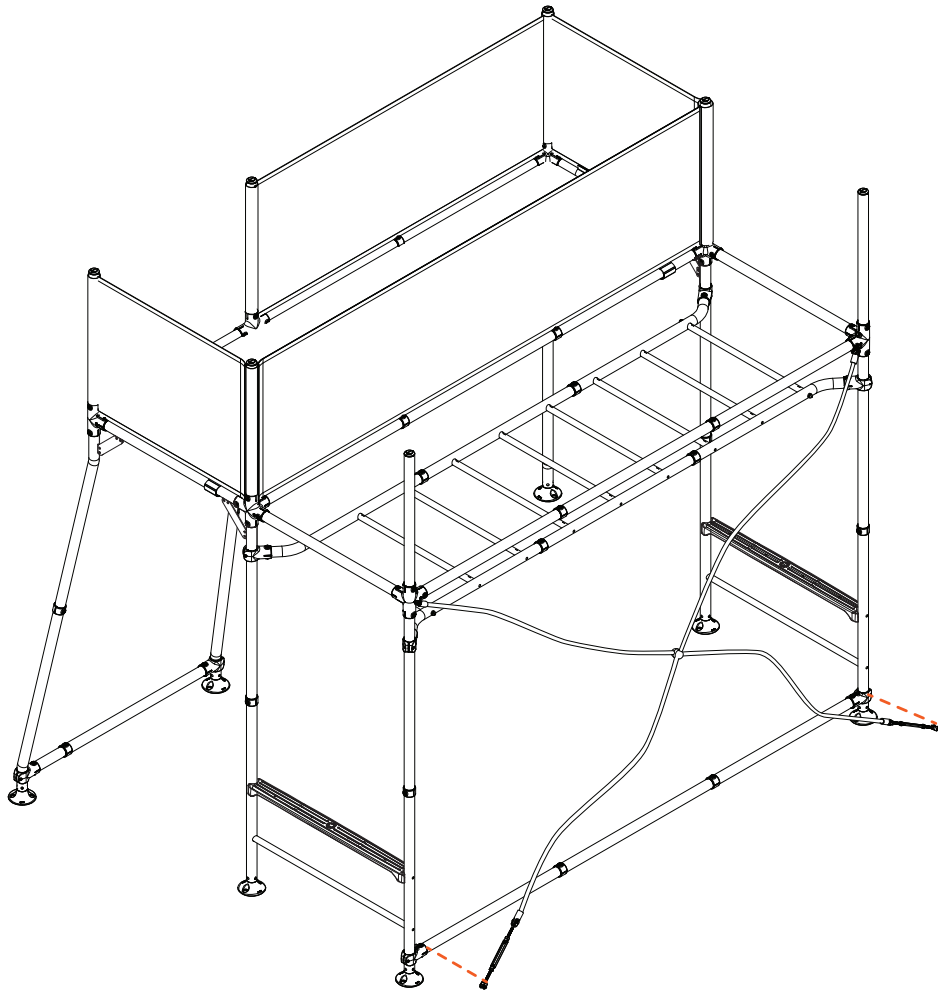
3



x2



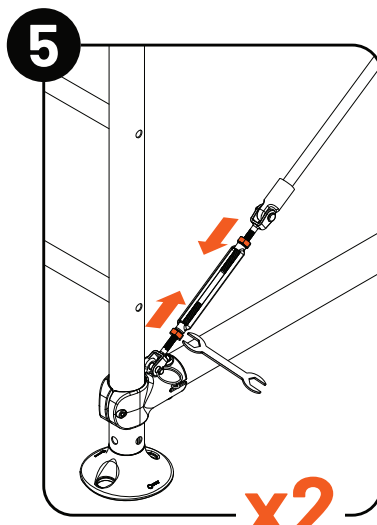
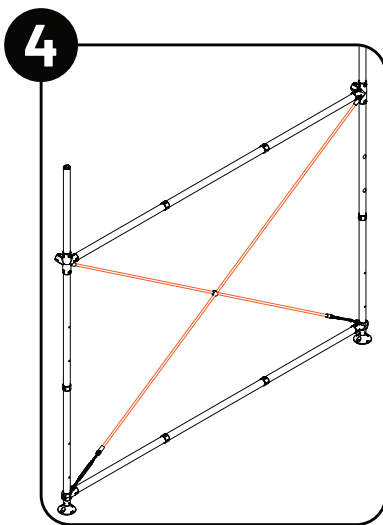
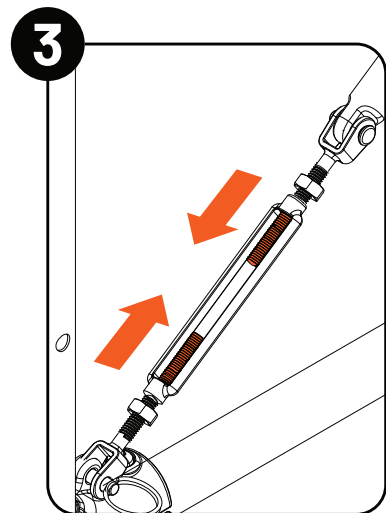
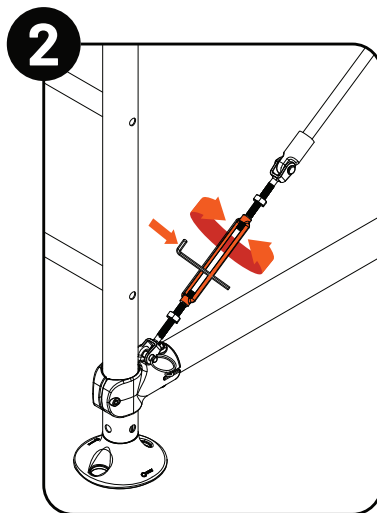
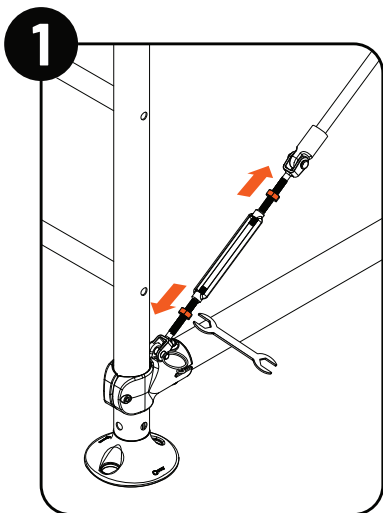
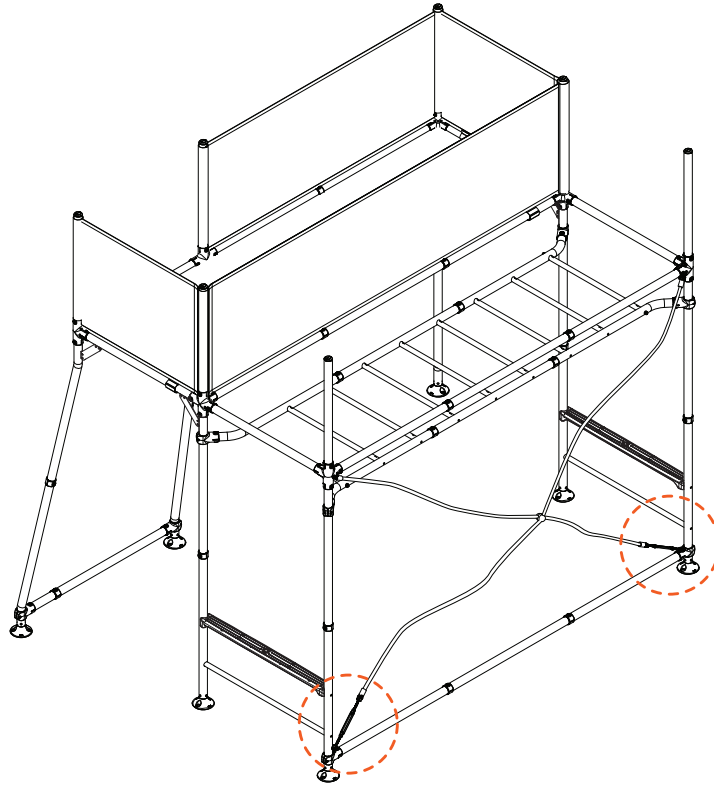
4





x2



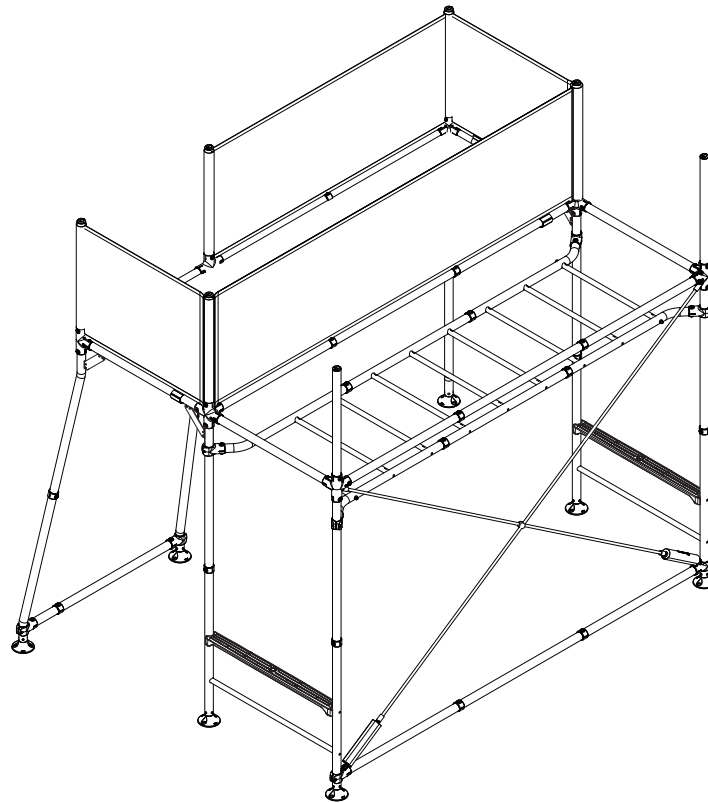
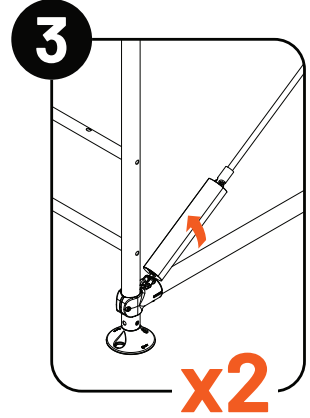
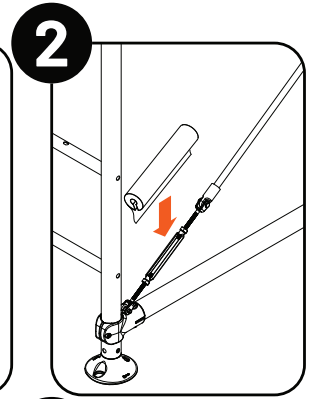
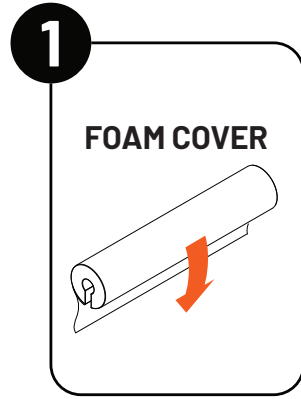
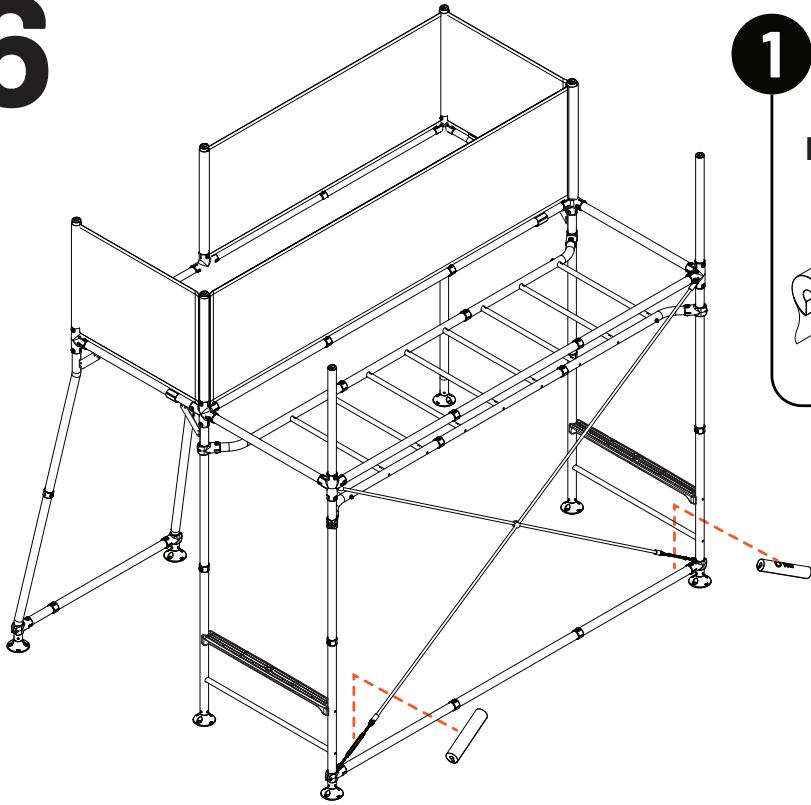
5



 **NOTE:** Ensure even tension between each turnbuckle for best results. 

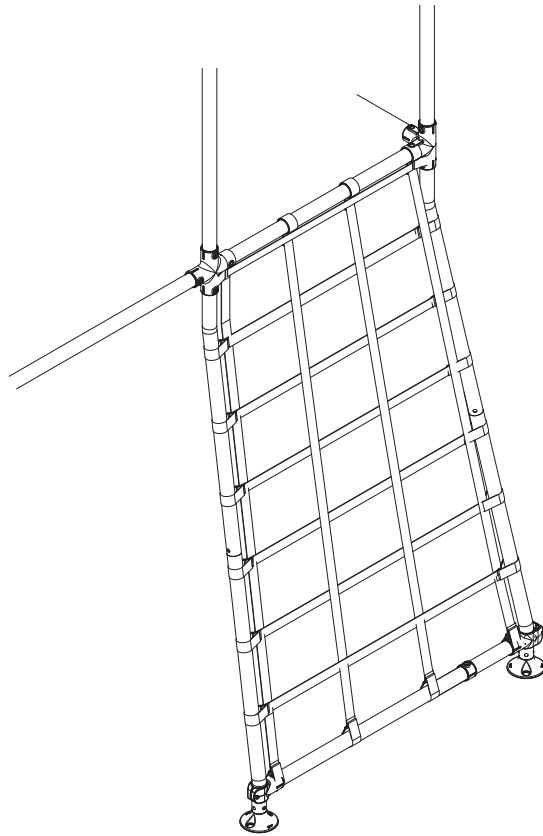


6



4.7. CARGO NET

ENSURE THAT AS YOU ASSEMBLE THE PRODUCT, YOU FIRMLY TIGHTEN ALL NUTS AND BOLTS, UNLESS DIRECTED.

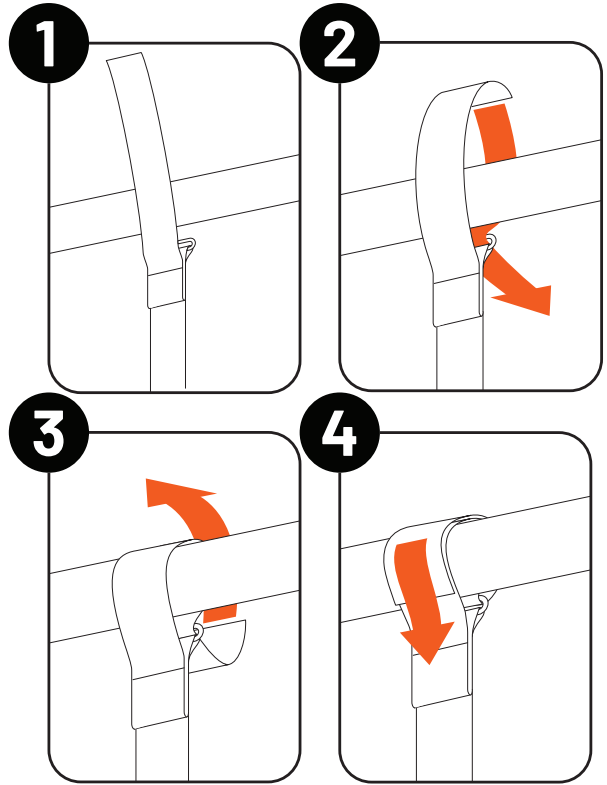
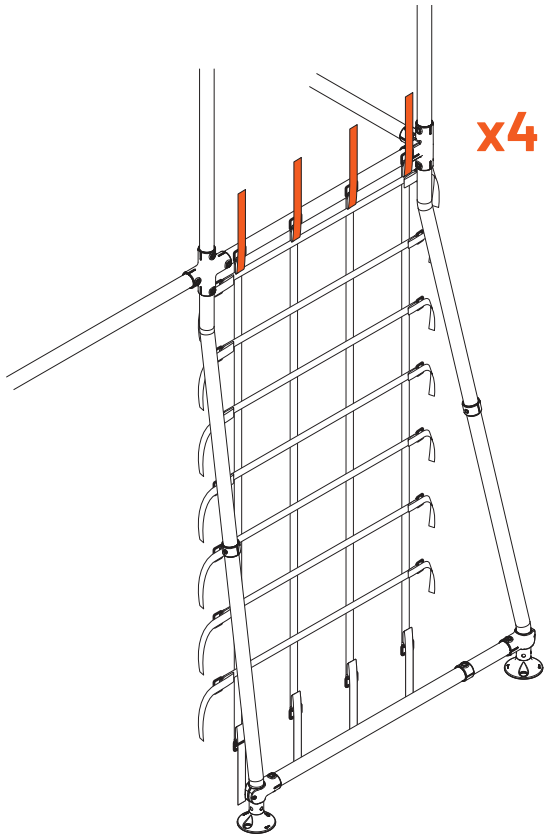


Required Components

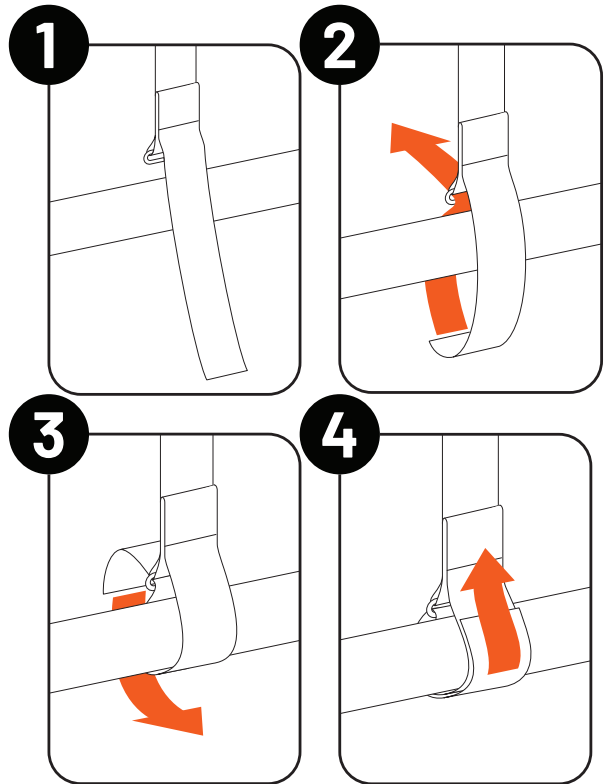
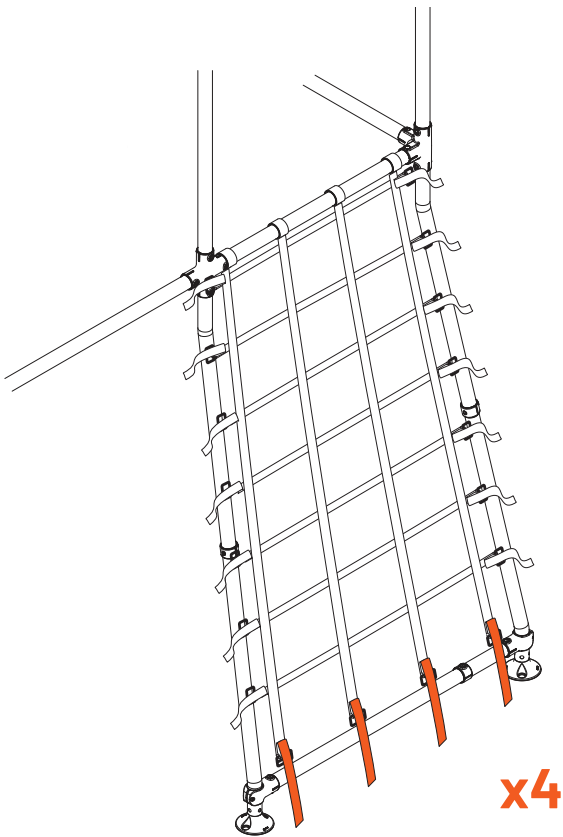
Misc

Cargo Net

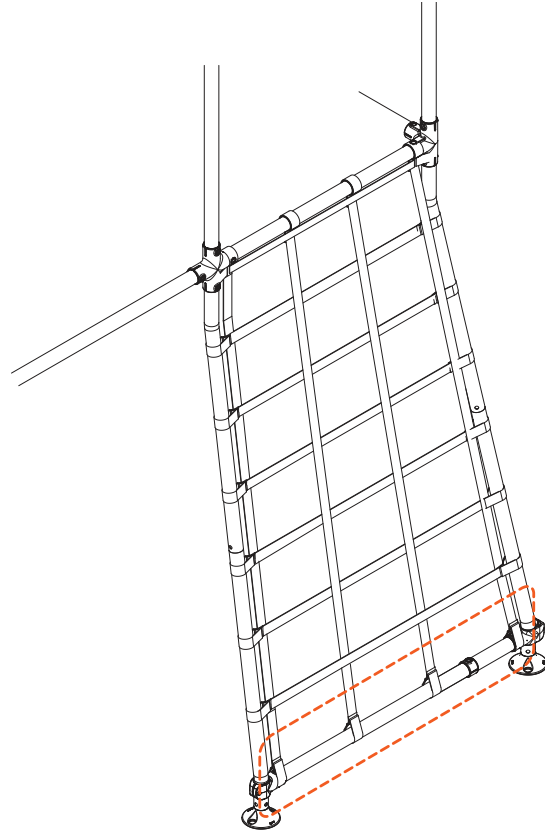
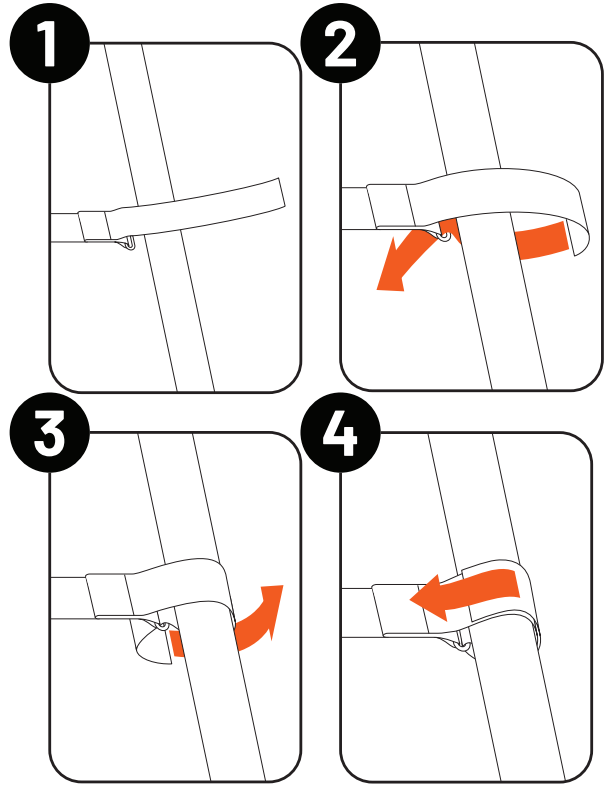
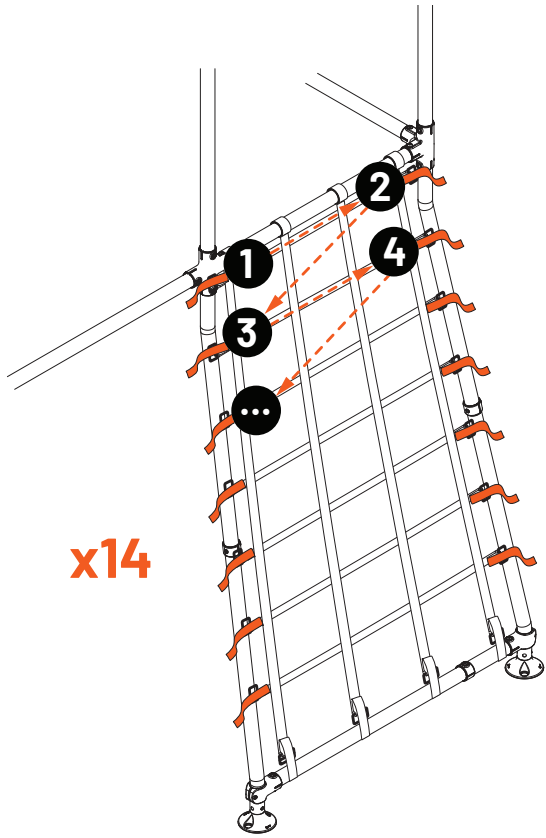
1




2



3

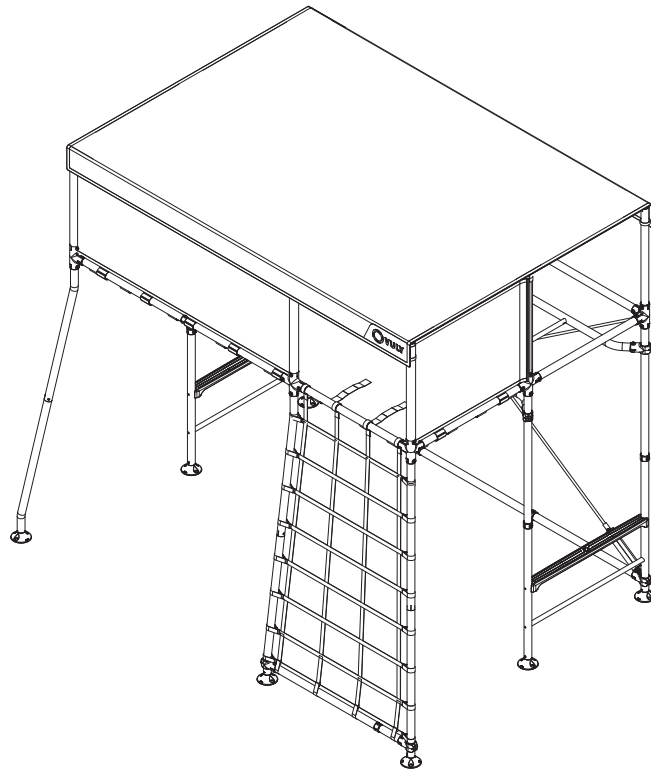


 **NOTE:** Tighten bottom straps as required to provide sufficient tension to Cargo Net. 



4.8. SHADE COVER

ENSURE THAT AS YOU ASSEMBLE THE PRODUCT, YOU FIRMLY TIGHTEN ALL NUTS AND BOLTS, UNLESS DIRECTED.



Required Components

Misc

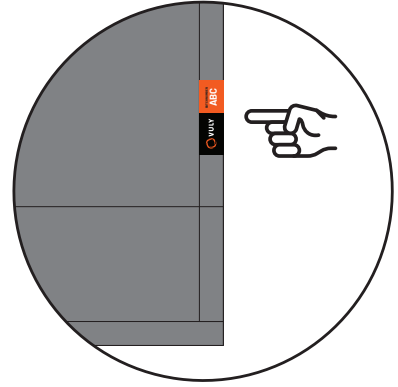
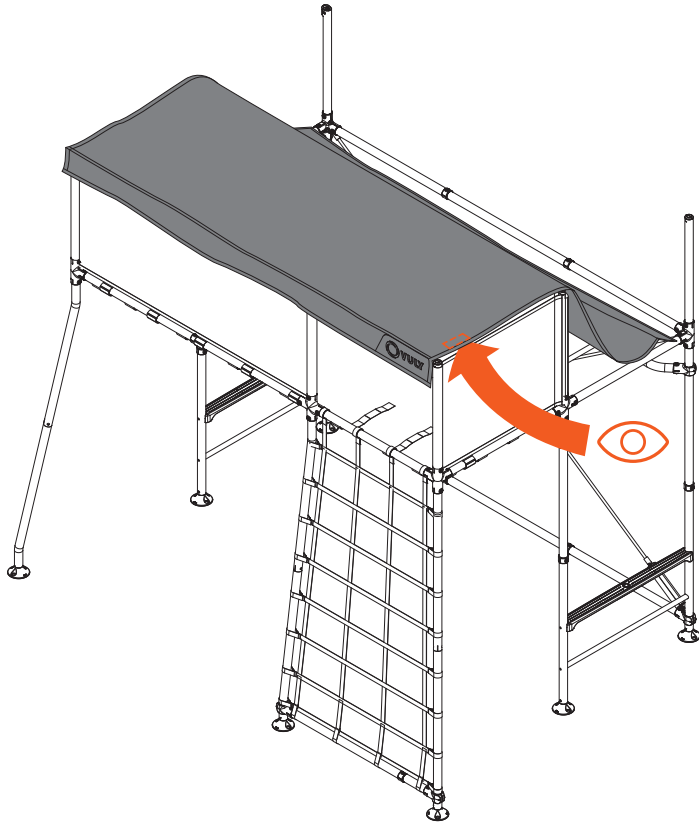
Shade Coverx1

Tools

Ladderx1

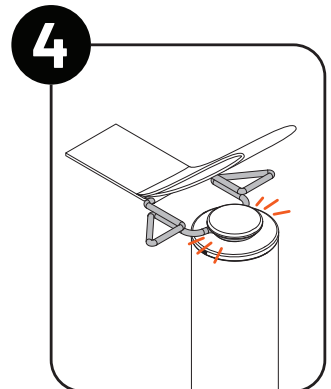
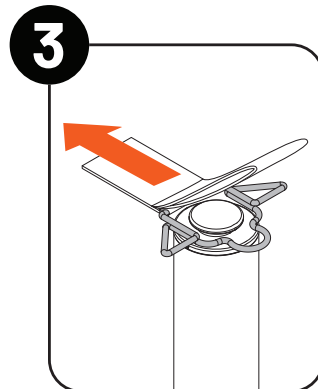
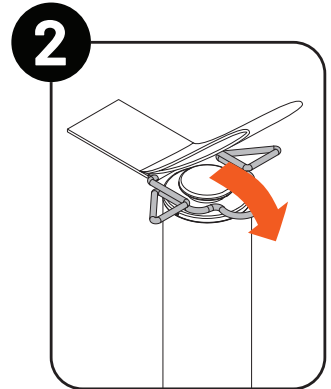
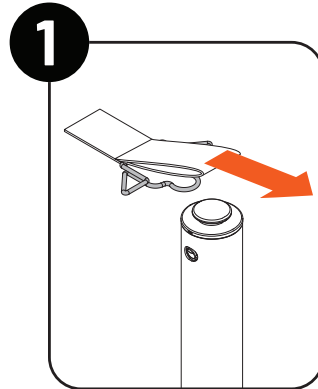
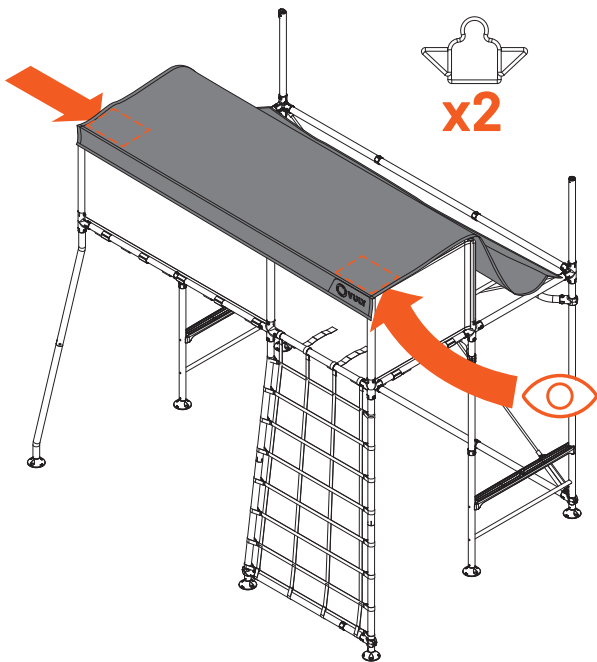


1



NOTE: Align batch tag on Shade Cover with right side of Hideout entry
WARNING! For your safety, have a second person holding the ladder at all times

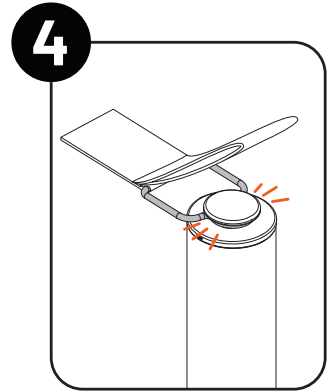
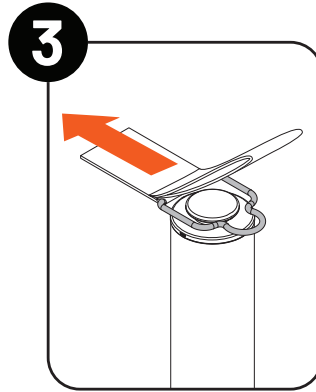
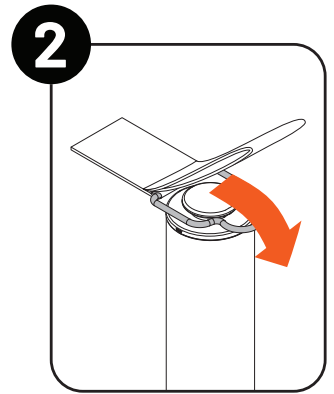
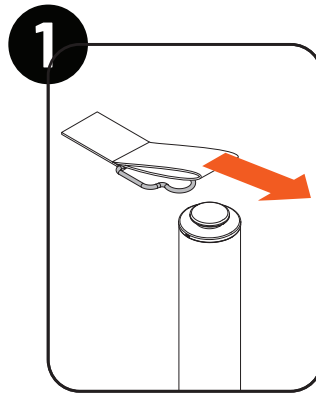
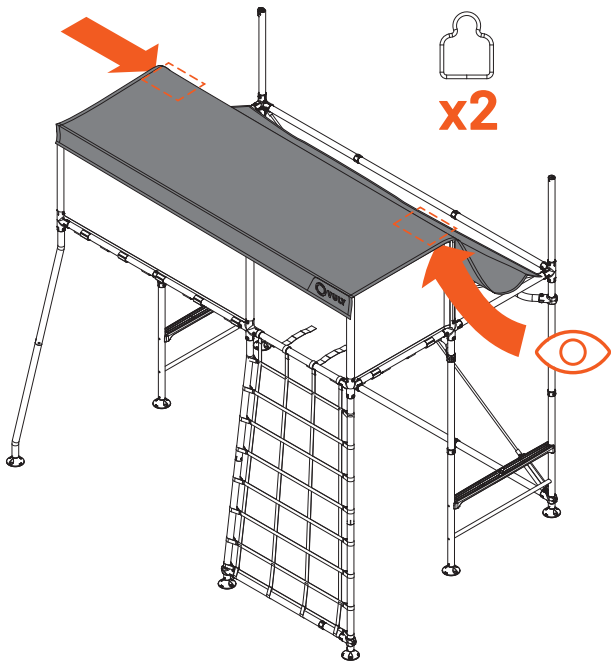
2



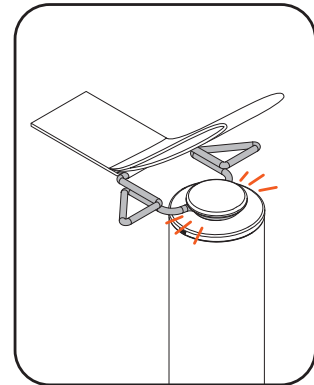
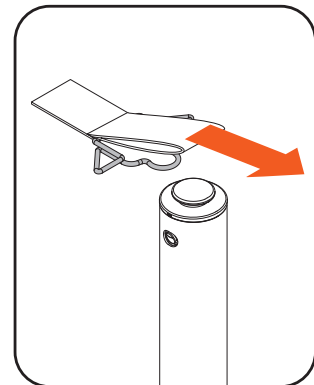
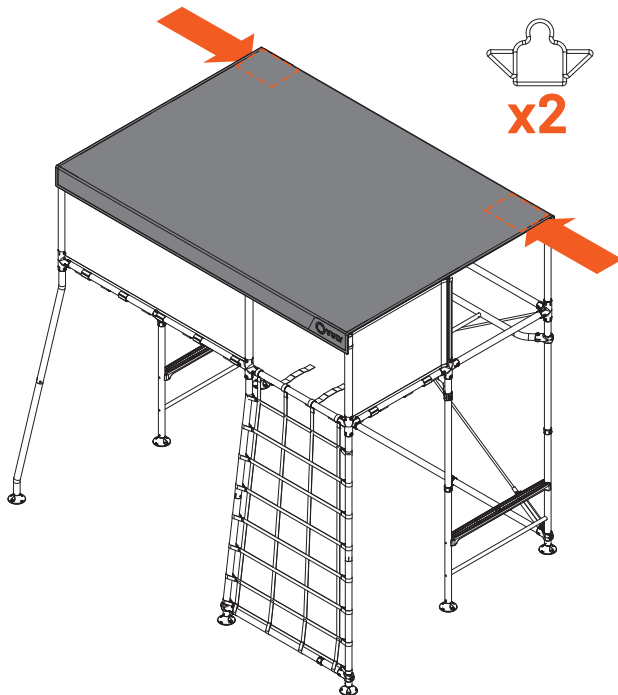
WARNING! Pull firmly and ensure that clip is clicked into position.



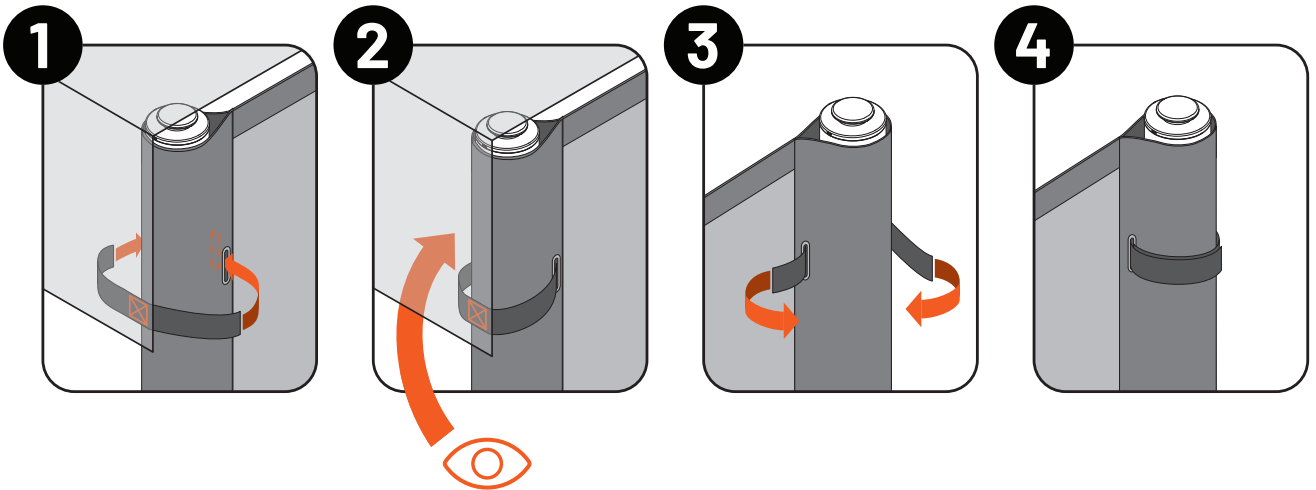
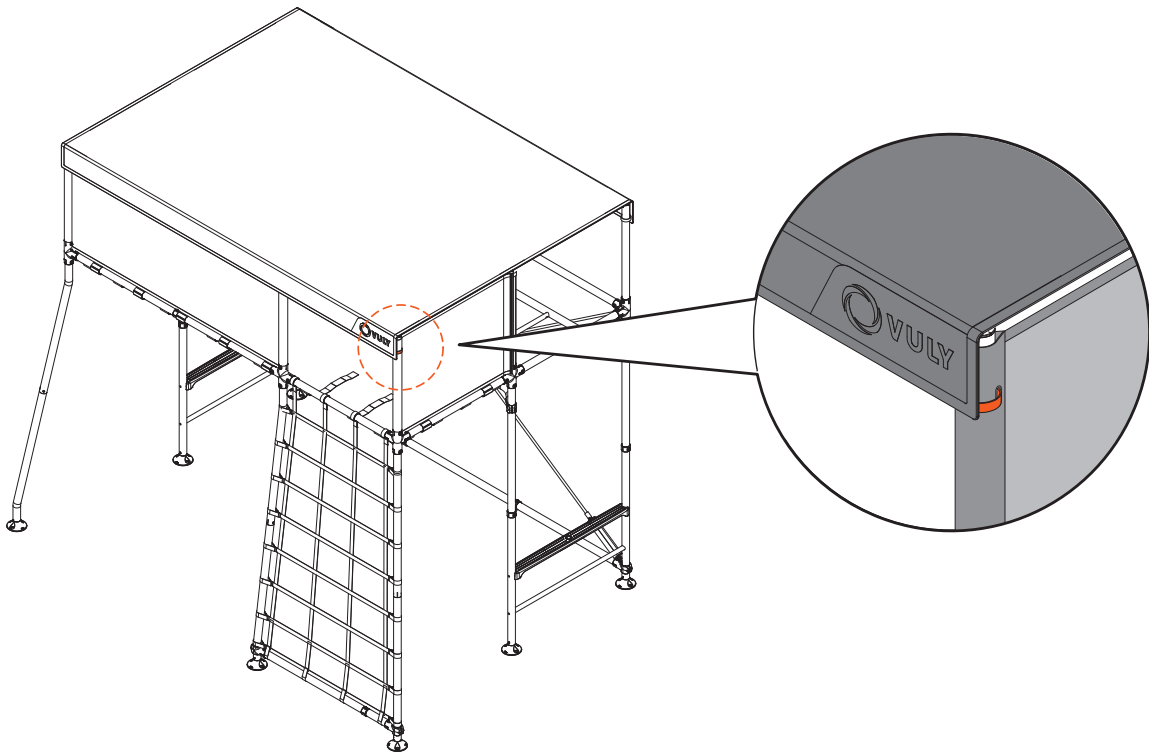
3



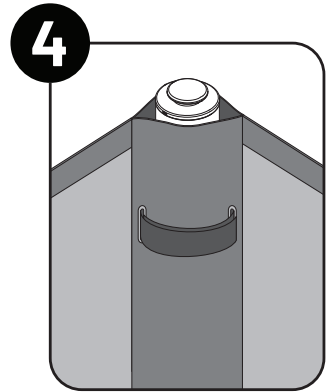
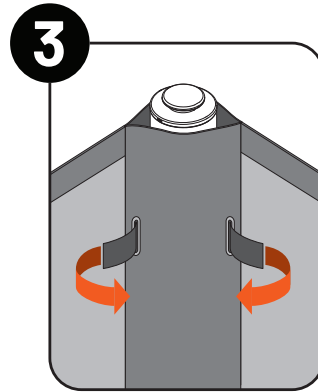
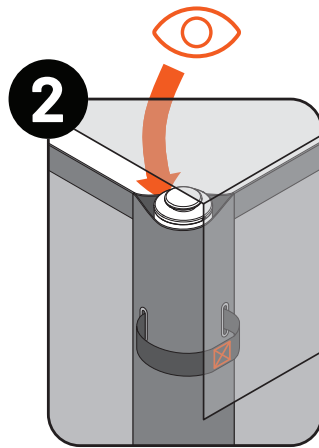
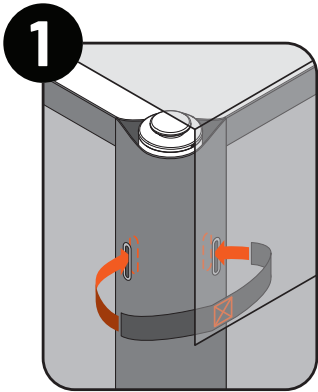
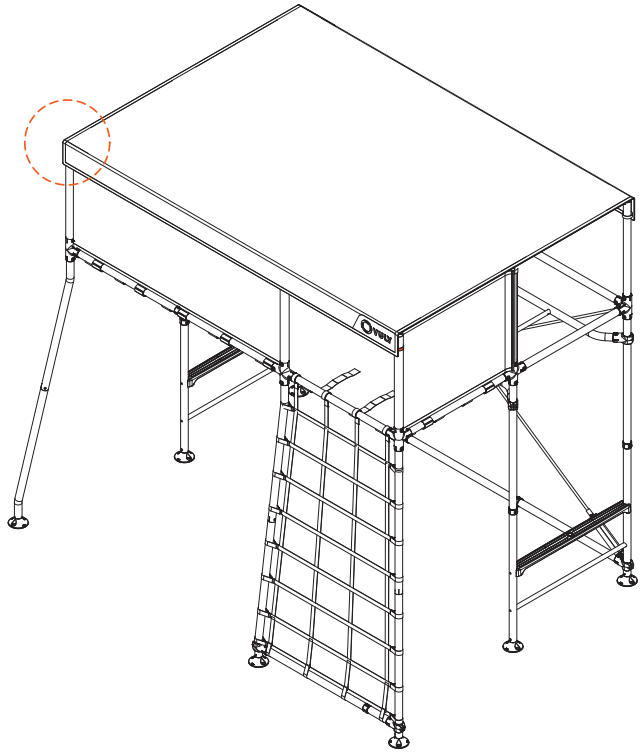
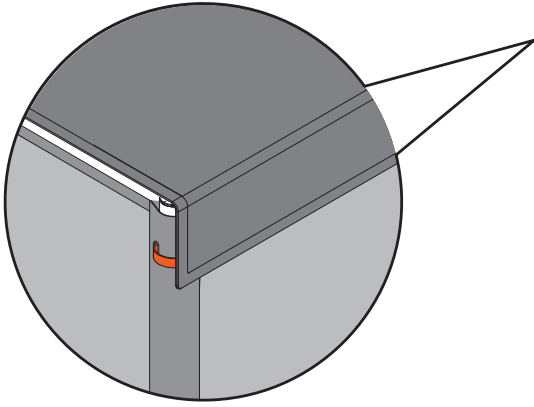
4



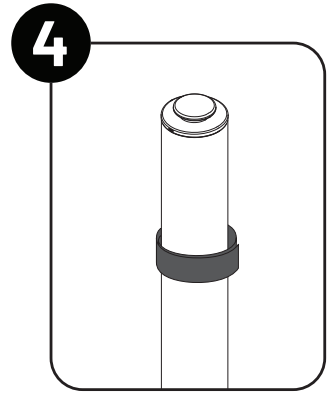
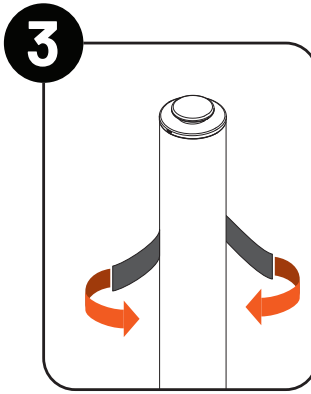
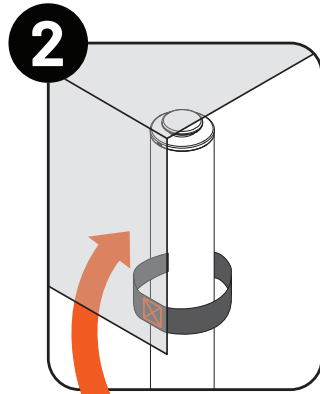
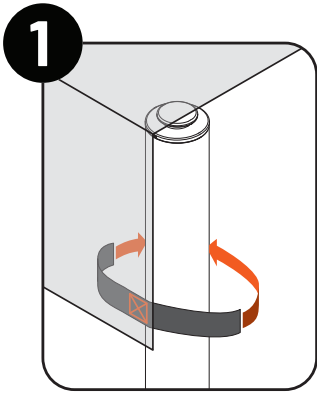
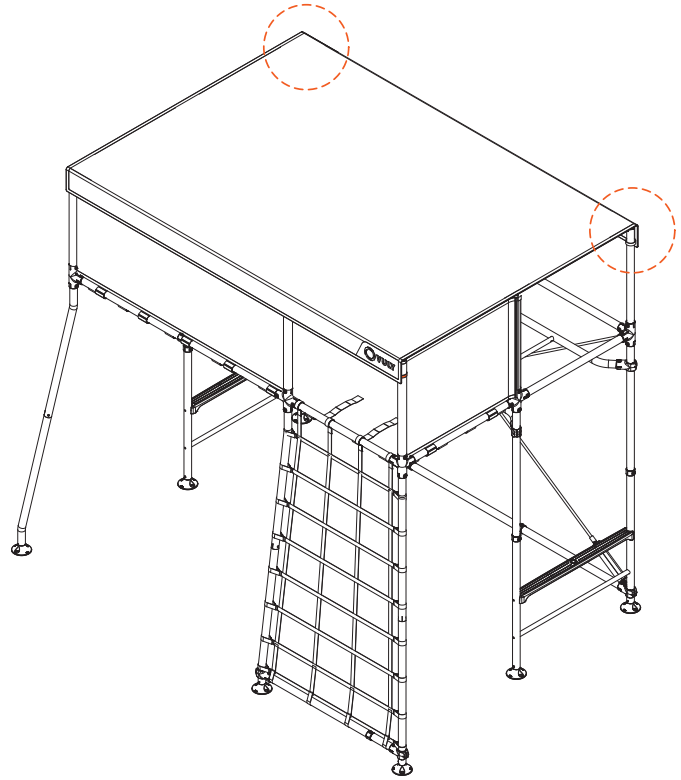
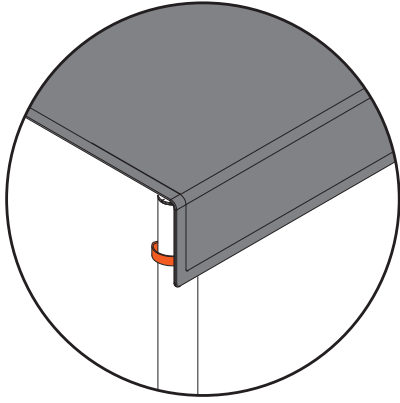
5



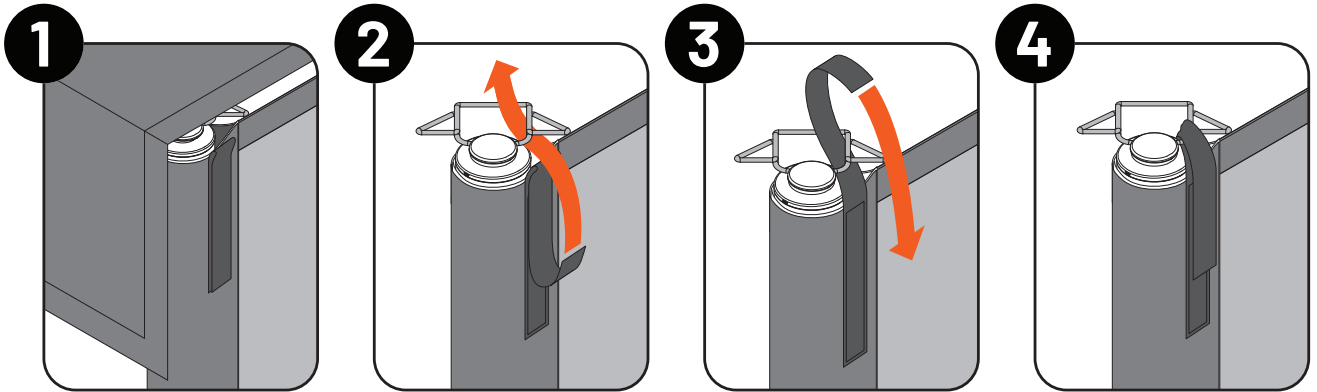
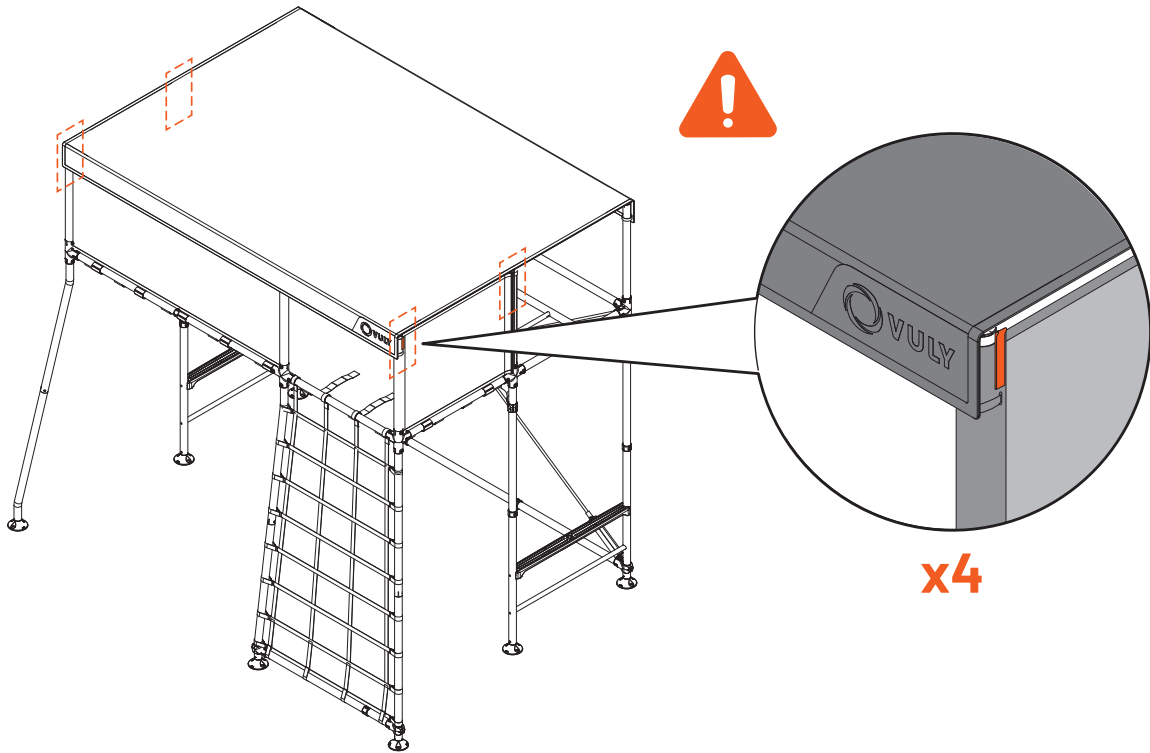
6





7



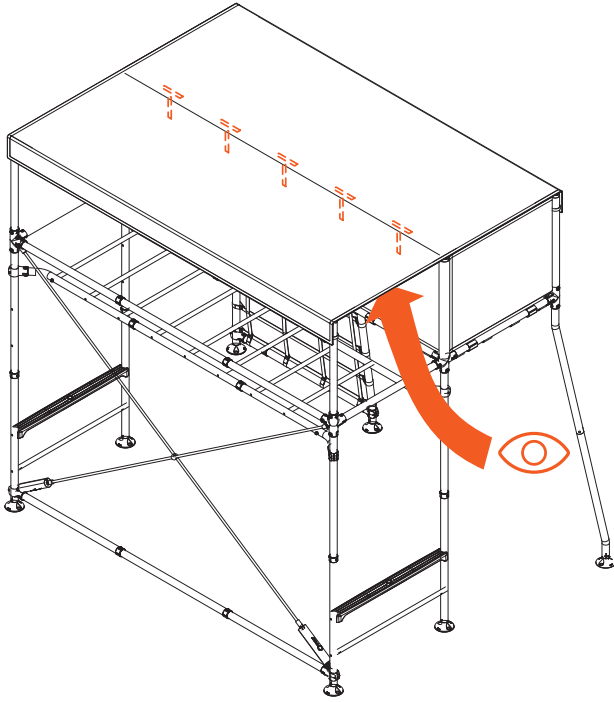
8



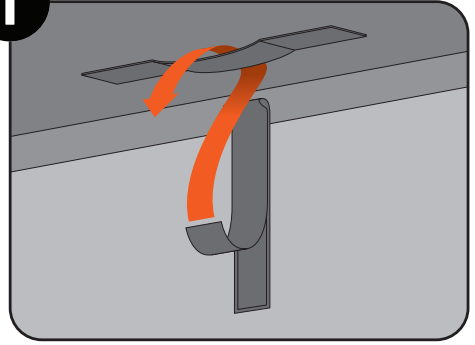
 **WARNING!** This step is critical to ensure the safety net cannot be pulled down 



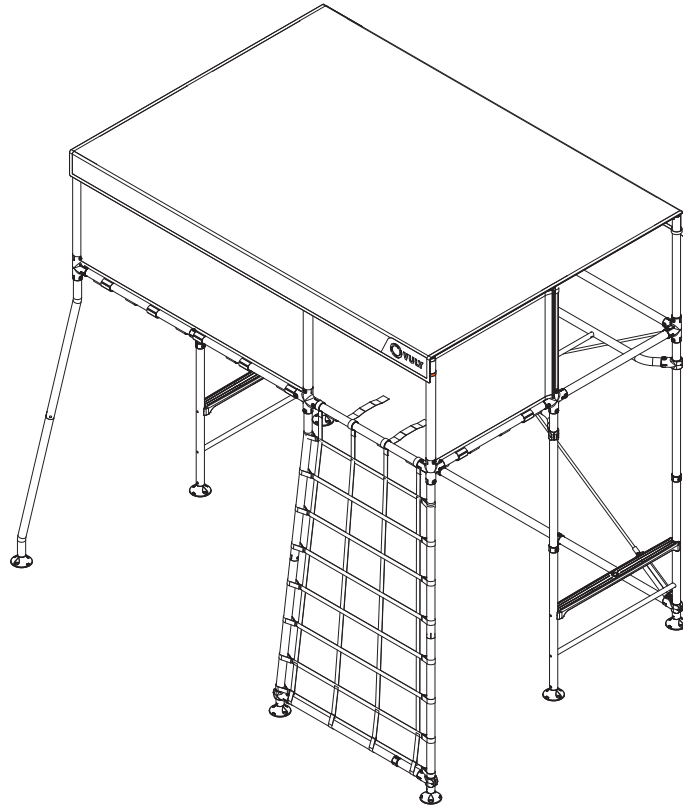
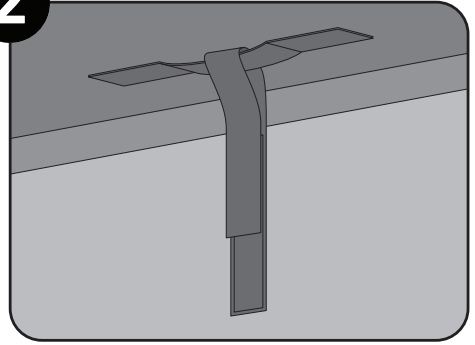
9



1



2

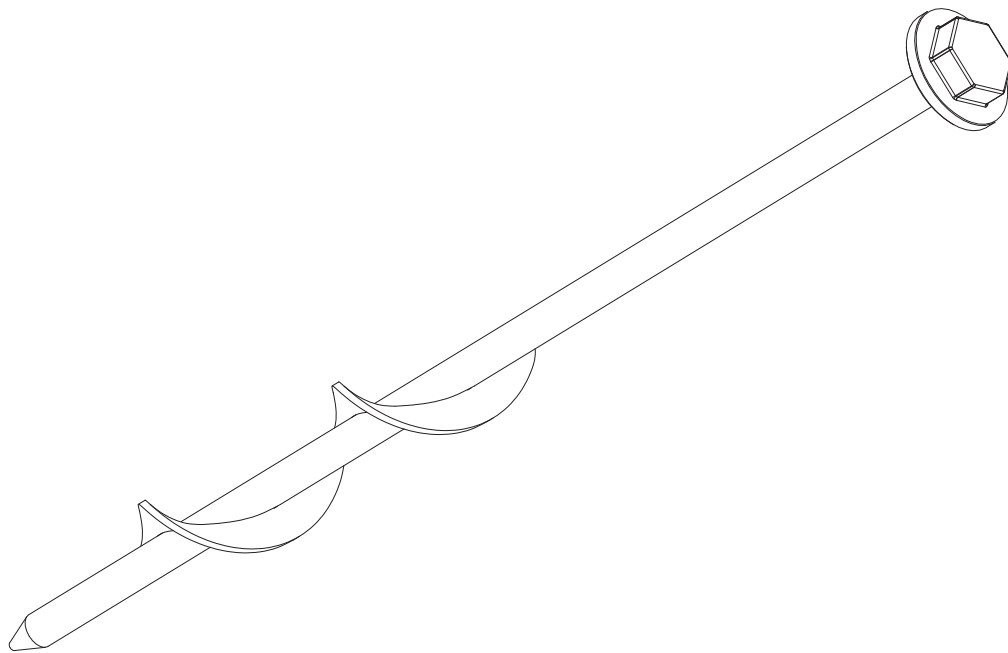


NOTE: If you have not completed Frame Assembly, return to **Section 4.5, step 18.**



4.9. ANCHORING

ENSURE THAT AS YOU ASSEMBLE THE PRODUCT, YOU FIRMLY TIGHTEN ALL NUTS AND BOLTS, UNLESS DIRECTED.



Required Components

Misc

Anchor Kitx1

Tools

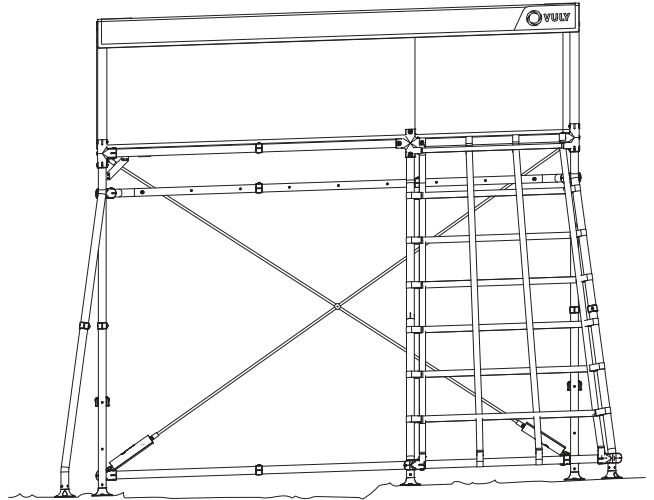
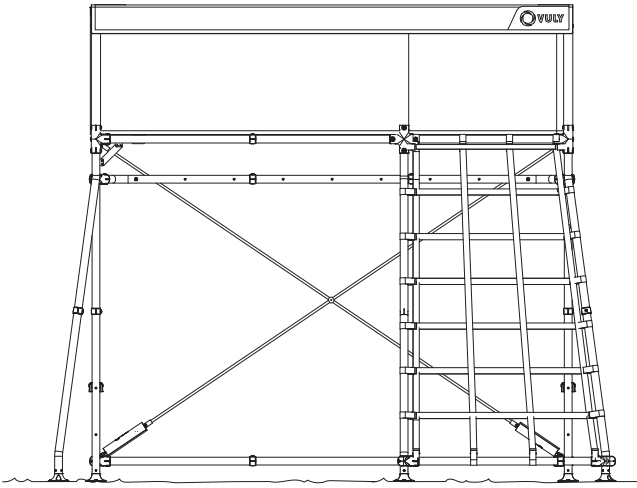
Hammerx1

OR

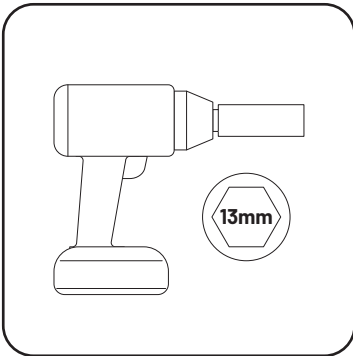
13mm Socket Driver.....x1



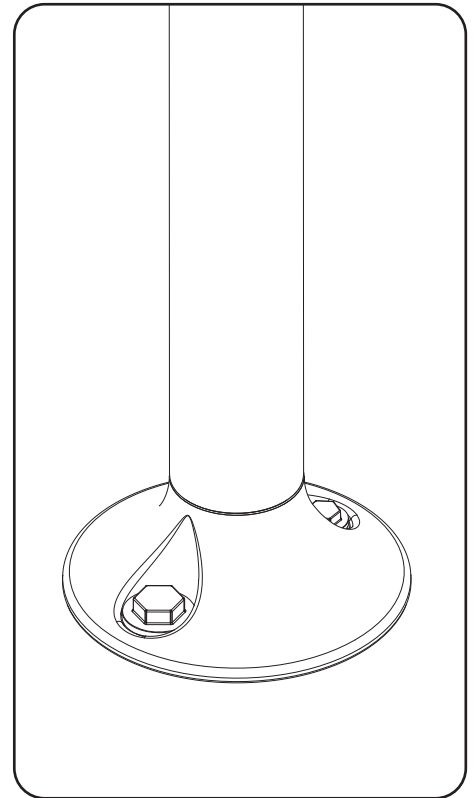
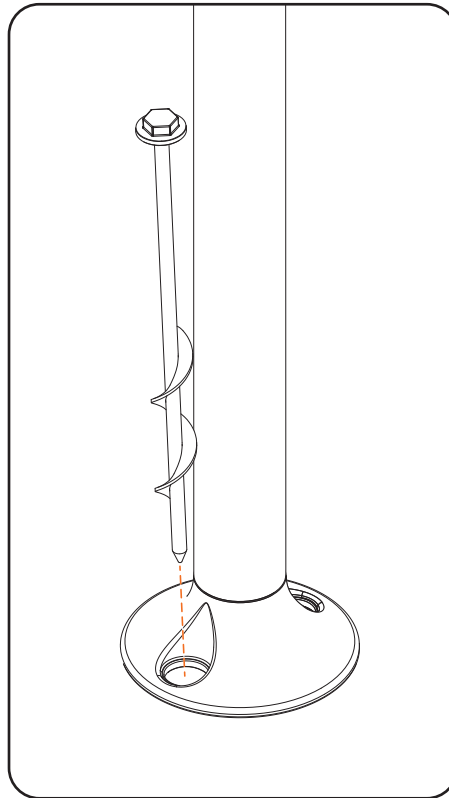
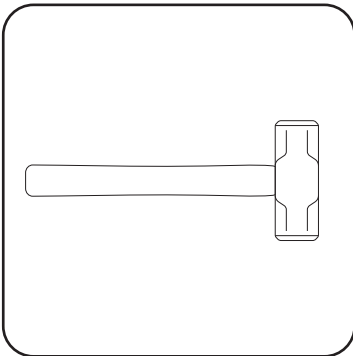
1



WARNING! Ensure that ground at the installation location is level and clear of obstructions. Installing on an uneven surface can cause misalignment and instability.



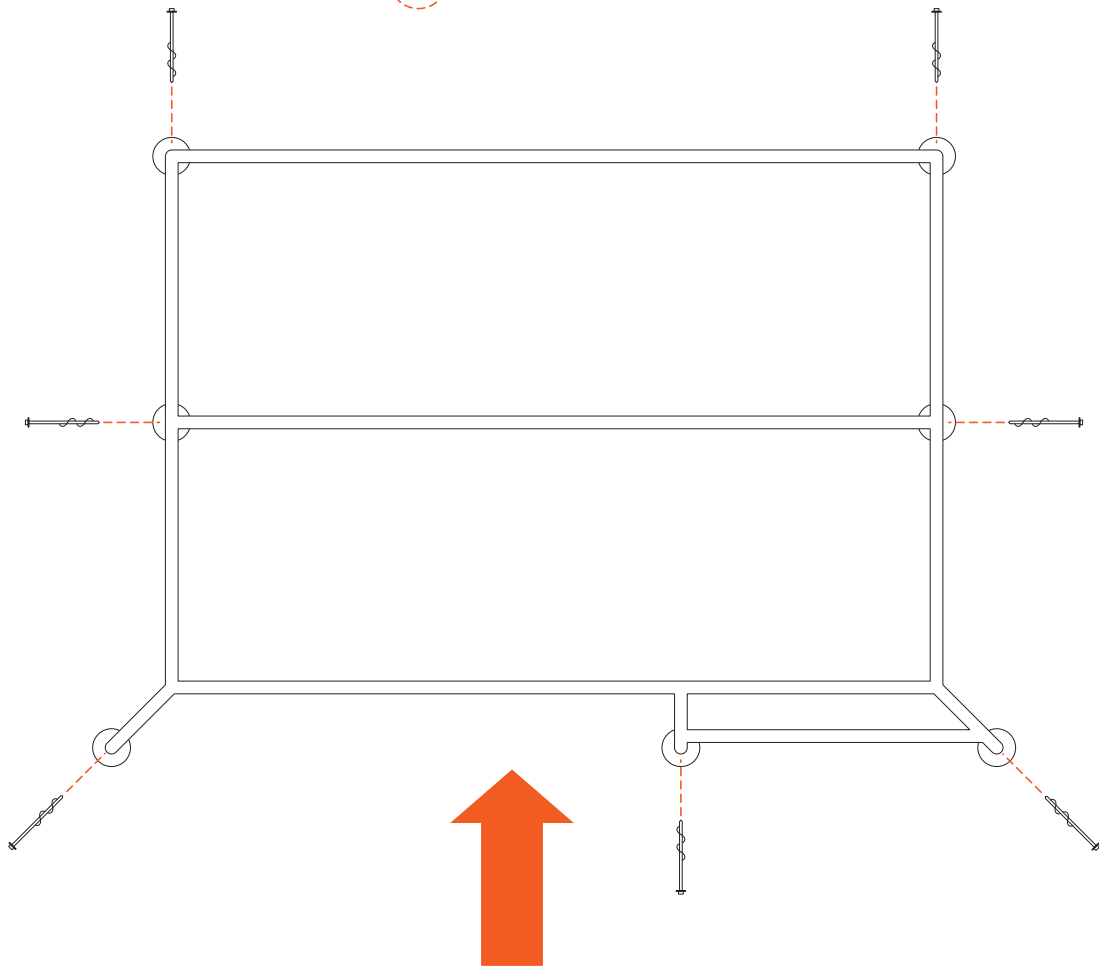
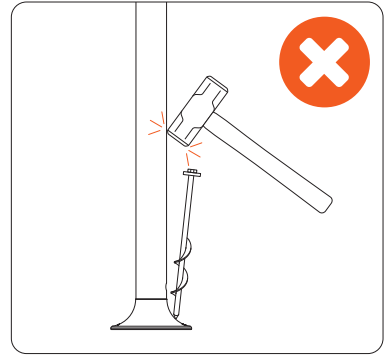
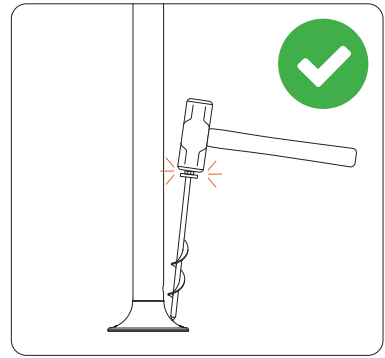
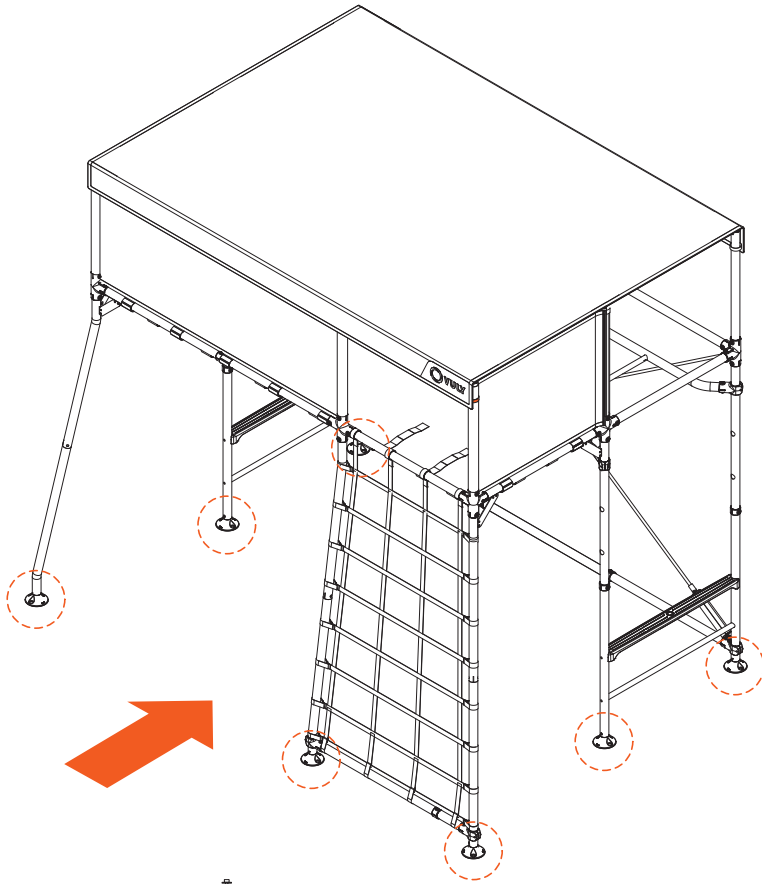
OR



WARNING! To secure, drive anchors into the ground with a 13mm driver or a hammer



2



CONGRATULATIONS!

You have assembled your Quest 2 playset!



5.0. Product registration

To access the Half-Price Parts for Life programme or to lodge a Warranty Claim, customers must ensure that their Vuly product is registered with Vuly.

Customers who purchase directly from Vuly (through VulyPlay.com, at the Vuly Showroom or over the phone) automatically have their product registered.

Customers who purchase through an Authorised Reseller must register their product by visiting VulyPlay.com/Support and completing the form with a proof of purchase.

6.0. Half-price replacement parts

Vuly offers half-price replacement parts to all customers for the lifetime of their purchase through the Half-Price Parts for Life programme.

This programme is subject to change at any time, and it is only available to customers who have purchased either through an Authorised Reseller or directly through Vuly.

Half-Price Parts for Life is only available to customers who wish to replace parts that are core components of their system.

For the monkey bars, these parts include the following elements of the frame:

- Tubes
- Joiners
- Rails
- Bars

The programme does not extend to individual Ropes, Rings, Swings, Shade Covers or accessories.

7.0. Warranty

All Vuly products are sold with a manufacturing warranty, which assures that the item is free of defects in workmanship and materials (“warranty”).

7.1. Warranty periods

Warranty periods do not reset for any reason, unless the customer purchases a new product. In this case, that particular item will be covered by its own warranty period. It does not affect – nor will it increase – warranty periods for other purchased items.

Warranty periods always commence from the date of item delivery.

This warranty is for use under normal conditions, and it applies for:

Monkey Bars

- 84 months [7 years] to the frame components.

Accessories

- 24 months [2 years] to the Shade Cover.
- 12 months [1 year] to purchased accessories or attachments not received during a promotional period.
- 3 months to any items received at no cost as part of a promotion – e.g. ‘Free Shade Cover’.

The customer may extend the standard 12-month [1 year] warranty to 36 months [3 years], if they purchase an extended warranty within 7 days of their delivery date.

7.1.1. Second-hand purchases

Vuly warranties apply only for the original purchaser, to a product purchased from Vuly Play or an Authorised Reseller. On-selling a Vuly product voids and all warranties.

7.2. Inclusions

This warranty covers manufacturing faults and defects only.

If a product is damaged or rendered unsafe as a result of a departure from its design specifications during production, this constitutes a manufacturing fault or defect.

This may occur if – for example – improper welding produces an unstable Frame.

7.3. Exclusions

7.3.1. Damage through wear and tear

This warranty does not extend to normal wear and tear of the product. This may include, but is not limited to:

- Rusting or scratching of steel components,
- UV deterioration of textile components.

As outdoor products that are actively used, monkey bars and their accessories will experience wear and tear over time.

7.3.2. Damage through weather conditions

Damage to the product that results from weather events – such as rain or wind – are not covered under the warranty. Vuly suggests that you contact your home and contents insurer if your product is damaged by such events.

7.3.3. Damage through improper installation

This warranty does not extend to any failure of the product caused by installation not in accordance with the Vuly Manual. Customers must assemble their Vuly product by following carefully the Installation section of their Vuly Manual.



Furthermore, the warranty does not cover installation provided by a third-party assembly service. It is the customer's responsibility to check all boxes and confirm that all components are included in the correct condition before installing.

7.3.4. Damage through insufficient care or maintenance

This warranty does not extend to accelerated decay of the product caused by poor care or maintenance. It is essential that customers regularly check, and follow the advice of, the Care and Maintenance section of their Vuly Manual to ensure that their product lasts as long as possible.

7.3.5. Damage through inappropriate use

This warranty will be void if the product is used for any other activity besides those for which it was intended, or used in any way that is unadvised in this Manual. Vuly products constitute recreational outdoor products and accessories for such products. They are not intended for professional use.

Any evidence that inappropriate actions that have led to product failure will not be covered by the warranty. Similarly, replacement parts or repairs needed to mend such damage will not be covered under the warranty.

7.3.6. Damage through salt water proximity

This warranty (on steel components, specifically) will be reduced by 50% where the Vuly product is assembled within 1.6 km of a salt water environment or where it is subject to ocean spray.

7.3.7. Personal Injury

The warranty does not cover personal injury or losses due to any of the above: wear and tear, weather conditions, inappropriate installation, insufficient care or maintenance or inappropriate use, nor does it cover damage due to negligence or accidents.

7.3.8. Installation

This warranty does not cover any installation service. If a customer pays for installation of their Vuly product at the time of purchase, this is a one-time service only. The customer may not claim installation costs for any replacement parts.

7.4. Warranty Claims

If a customer believes that a Vuly product is faulty or defective, they must discontinue use and submit a Warranty Claim.

A customer must not attempt to use a product if any part is faulty or defective, as it may be dangerous. Any damage that the user causes as a result of using faulty or defective products will lead to voiding of the warranty.

7.4.1. Making a Warranty Claim

To fulfill a warranty claim, a customer must submit an online Warranty Claim at VulyPlay.com/Support.

Submitting the online Warranty Claim form requires the customer to provide:

- Details of their purchase – including date,
- Batch number,
- Clear photographic evidence of the manufacturing fault or defect.

If the customer does not provide all details that the form requires, their Warranty Claim will not be assessed.

Vuly may take up to 7 days to process Warranty Claims upon a completed submission. It may take a further 7 days for replacement parts to reach the customer.

7.4.2. Successful Warranty Claims

If Vuly accepts a customer's Warranty Claim, Vuly will replace the faulty or defective parts, or offer refunds depending on the severity of the issue.

Successful Warranty Claims lodged within 60 days of the delivery date:

Vuly will replace the damaged parts free of charge. Vuly will also cover any costs associated with shipping the replacement part.

Successful Warranty Claims lodged after 60 days of the delivery date:

Vuly will replace the damaged parts free of charge. The customer must cover any costs associated with shipping the replacement part.

7.4.3. Walk-in Warranty Claims

If a customer wishes to make a Warranty Claim while on the Vuly premises, they must first submit an online Warranty Claim at vulyplay.com/support – providing all required details.

7.4.4. Refunds

If Vuly accepts a customer's Warranty Claim, Vuly will replace the faulty/defective parts or offer refunds depending on the severity of the issue.

Refunds will typically be processed within 7 days after the refund has been improved. Vuly provide this timeframe in good faith, we shall not be held accountable should this timeframe not be met.

7.4.5 Claiming on non-Vuly products

Products sold alongside Vuly that are not Vuly-branded are subject to the warranties provided by the companies that supply them. The customer must contact these external companies to make a warranty claim; Vuly itself will not assess claims made against non-Vuly products.



7.5. Australian Consumer Law

Our Goods come with guarantees that cannot be excluded under the Australian Consumer Law. You are entitled to a replacement or refund for a major failure and for compensation for any other reasonably foreseeable loss or damage. You are also entitled to have the Goods repaired or replaced if the Goods fail to be of acceptable quality and the failure does not amount to a major failure.

8.0. Missing parts

If a customer believes that a Vuly product does not include all necessary parts, they must immediately lodge a Missing Parts Claim at vulyplay.com/support.

A customer must not attempt to use a product if any part is incomplete, as it may be dangerous. Any damage that the user causes as a result of using incomplete products will lead to voiding of the warranty.

Vuly products are delivered to Vuly warehouses prepackaged; we are unable to check the boxes prior to delivery to ensure that they contain all the required parts. While the missing part rate during packing is very low, some parts may also fall out in transit due to small, unintentional tears in their boxes.





vulyplay.com

See vulyplay.com/terms for the most recent Vuly warranty policies, terms and conditions.

