



THUNDER 2 PRO TRAMPOLINE

Assembly Manual / Manuel d'Assemblage Montageanleitung / Montagehandleiding



Scan this QR code
or visit vulyplay.com/install for step-by-step video instructions.
Scannez ce code QR
ou visitez vulyplay.com/install pour obtenir une version numérique du manuel.
Scannen Sie diesen QR-Code
oder besuchen Sie vulyplay.com/install, um eine digitale Version des
Handbuchs zu erhalten.
Scan deze QR-code
of ga naar vulyplay.com/install voor stapsgewijze video-instructies.



ATTENTION!

Safety Information, Assembly,
Installation, Care,
Maintenance and Use
Instructions.

WARNING

Read these materials prior to
assembling and using
the trampoline.

Vuly Play cares about safety.
Adult supervision is required at all times whilst
equipment is in use.

If you have any feedback regarding our
instructions, feel free to email: [instructions@
vulyplay.com](mailto:instructions@vulyplay.com) so that we can continue
to improve.

ATTENTION!

Informations de sécurité,
instructions d'assemblage,
d'installation, d'entretien, de
maintenance et d'utilisation.

AVERTISSEMENT

Lisez ces documents avant
d'assembler et d'utiliser le
trampoline.

Vuly Play se soucie de votre sécurité.
La surveillance d'un adulte est requise en permanence
lorsque l'équipement est utilisé.

Si vous avez des commentaires concernant nos
instructions, n'hésitez pas à nous écrire à l'adresse
suivante: instructions@vulyplay.com, afin que nous
puissions continuer à les améliorer.

ACHTUNG!

Sicherheitsinformationen,
Montage-, Aufstellungs-,
Pflege-, Wartungs- und
Gebrauchsanleitung.

WARNUNG

Lesen Sie diese Unterlagen vor
dem Zusammenbau und der
Benutzung des Trampolins.

Vuly Play legt großen Wert auf Sicherheit.
Die Aufsicht durch eine erwachsene Person
ist während der Nutzung des Geräts
jederzeit erforderlich.

Wenn Sie Feedback zu unseren Anleitungen
haben, senden Sie gerne eine E-Mail an:
instructions@vulyplay.com, damit wirns
weiterhin verbessern können.

LET OP!

Veiligheidsinformatie,
instructies voor montage,
installatie, verzorging,
onderhoud en gebruik.

WAARSCHUWING

Lees deze documenten
voordat u de trampoline
monteert en gebruikt.

Vuly Play geeft om veiligheid. Toezicht
door een volwassene is altijd vereist
zolang de trampoline in gebruik is.

Heeft u opmerkingen over onze
instructies? Stuur dan gerust een e-mail
naar: instructions@vulyplay.com
zodat wij onze instructies kunnen blijven
verbeteren.



Record your date of purchase here
Notez la date de votre achat
Notieren Sie das Kaufdatum
Noteer hier de aankoopdatum:

Contents

Read and follow all instructions in this manual before using your trampoline, and do not use the trampoline in any way that is not described in this manual.

Responsibility rests with the owner and supervisors of the trampoline to make sure that all users are aware of the practices specified in this manual.

Contenu

Veillez lire et suivre toutes les instructions de ce manuel avant d'utiliser votre trampoline, et ne l'utilisez en aucun cas d'une manière qui ne serait pas décrite dans ce document. Il incombe au propriétaire ainsi qu'aux personnes en charge de la surveillance du trampoline de s'assurer que tous les utilisateurs sont informés des consignes spécifiées dans ce manuel.

Inhalt

Lesen und befolgen Sie alle Anweisungen in diesem Handbuch, bevor Sie Ihr Trampolin verwenden, und benutzen Sie es nicht auf eine Weise, die nicht in diesem Handbuch beschrieben ist. Es liegt in der Verantwortung der Eigentümerinnen und Aufsichtspersonen des Trampolin, sicherzustellen, dass alle Benutzerinnen über die in diesem Handbuch aufgeführten Hinweise informiert sind.

Inhoud

Lees en volg alle instructies in deze handleiding voordat u de trampoline gebruikt, en gebruik de trampoline niet op een andere manier dan in deze handleiding is beschreven. De verantwoordelijkheid ligt bij de eigenaar en toezichthouders van de trampoline om ervoor te zorgen dat alle gebruikers op de hoogte zijn van de praktijken die in deze handleiding zijn gespecificeerd.



1.0. Legal Disclaimer & Conditions of Sale	4	2.4. Witterungspflege	18	8.3. Exclusions	62
2.0. Care and Maintenance	5	2.5. Standortwechsel	18	8.4. Warranty Claims	63
2.1. General care	5	2.6. Inspektions-Checkliste.....	18	8.5. Country-Specific Consumer Law Notices.....	63
2.2. Rust and corrosion	5	3.0. Nutzung und Verhalten	19	9.0. Missing parts	64
2.3. Textile deterioration	5	3.1. Sicherheitshinweise zur Nutzung	19	6.0. Enregistrement du Produit	66
2.4. Weather care	5	3.2. Sicherheitshinweise zur Nutzung	19	7.0. Pièces de Rechange à Moitié Prix (Australie uniquement) ..	66
2.5. Relocation	6	3.3. Grundlegende Trampolin-Anweisungen	19	8.0. Garantie	66
2.6. Inspection checklist.....	6	4.0. Vormontage	19	8.1. Durées de garantie.....	66
3.0. Usage and Behaviour	7	4.1. Standortplanung.....	19	8.2. Inclusions.....	66
3.1. Safe use information	7	4.2. Vorbereitungen für die Montage	20	8.3. Exclusions	66
3.2. Safe use instructions.....	7	1.0. Juridische Disclaimer & Verkoopvoorwaarden	22	8.4. Réclamations au titre de la garantie	67
3.3. Basic trampolining instructions.....	7	2.0. Onderhoud en Verzorging	23	8.5. Législation nationale sur la protection des consommateurs.....	67
4.0. Pre-Assembly	7	2.1. Algemeen Onderhoud	23	9.0. Pièces Manquantes	68
4.1. Location planning.....	7	2.2. Roest en corrosie	23	6.0. Produktregistrierung	70
4.2. Pre-assembly instructions	8	2.3. Textielslijtage.....	23	7.0. Ersatzteile zum halben Preis (nur Australien)	70
1.0. Avertissement Légal et Conditions de Vente	10	2.4. Weer en onderhoud.....	24	8.0. Garantie	70
2.0. Entretien et Maintenance	11	2.5. Verplaatsen	24	8.1. Garantiefristen	70
2.1. Entretien général.....	11	2.6. Inspectielijst.....	24	8.2. Eingeschlossene Leistungen.....	70
2.2. Rouille et corrosion	11	3.0. Gebruik en Gedrag	25	8.3. Ausschlüsse	70
2.3. Détérioration des textiles.....	11	3.1. Informatie over veilig gebruik	25	8.4. Garantieansprüche	71
2.4. Entretien en fonction des conditions climatiques.....	12	3.2. Instructies voor veilig gebruik	25	8.5. Länderspezifisches Verbraucherschutzrecht	72
2.5. Déplacement	12	3.3. Basisinstructies trampolinespringen	25	9.0. Fehlende Teile	72
2.6. Liste de vérification de l'inspection	12	4.0. Voor-montage	25	6.0. Productregistratie	74
3.0. Utilisation et Comportement	13	4.1. Plaatsingsplanning	25	7.0. Reserveonderdelen tegen halve prijs	
3.1. Informations sur une utilisation sécuritaire.....	13	4.2. Voor-montage-instructies.....	26	(alleen Australië)	74
3.2. Instructions d'utilisation sécuritaire	13	5.0. Installation / Installatie	28	8.0. Garantie	74
3.3. Instructions de base pour le trampoline	13	5.1. Parts and Components / Pièces et Composants / Teile und		8.1. Garantieperiode	74
4.0. Pré-Assemblage	13	Komponenten / Onderdelen en Componenten	28	8.2. Inbegrepen.....	74
4.1. Planification de l'emplacement	13	5.2. Assembly Instructions / Instructions / Montageanleitung /		8.3. Uitsluitingen.....	74
4.2. Instructions préalables à l'assemblage	14	Montage-instructies.....	30	8.4. Garantieclaims.....	75
1.0. Rechtlicher Hinweis Und Verkaufsbedingungen	16	6.0. Product Registration	62	8.5. Land-specifieke kennisgevingen inzake consumentenrecht	76
2.0. Pflege und Wartung	17	7.0. Half-price Replacement Parts (Australia only)	62	9.0. Ontbrekende onderdelen	76
2.1. Allgemeine Pflege.....	17	8.0. Warranty	62		
2.2. Rost und Korrosion	17	8.1. Warranty periods	62		
2.3. Textilverschleiß.....	17	8.2. Inclusions	62		



1.0. Legal Disclaimer & Conditions of Sale

The following Conditions of Sale apply to and bind the purchasers of any Vuly Play product.

This product is manufactured and distributed exclusively by the following legal entities in their respective regions:

- **Australia:** Vuly Play Group ABN 48 655 129 623
Address: 95 Ingleston Road, Wakerley, QLD 4154
- **United States:** Vuly USA
Operations Corp. EIN 99-2968094
Address: 1087 W. River St., Ste 310, Boise, ID 83702
- **Canada:** Vuly Canada Operations Corp. C1025301
Address: 1055 W. Georgia St Unit 1500 Vancouver, BC V6E 4N7
- **United Kingdom:** United Kingdom Play Ltd
16492883 Address: Windsor House Station Court,
Station Road, Great Shelford, Cambridge, UK, CB22 5NE
- **Europe:** Europe Play Operations B.V.
Address: Hofplein 20, Rotterdam,
3032 AC, Netherlands

Each entity is solely responsible for sales, support, product safety, warranty, and compliance in its country. Any legal claims, disputes, or liability matters must be addressed exclusively in the country where the product was purchased and under the laws of that jurisdiction.

NOTICE TO USER:

Please read this agreement carefully before purchasing or assembling this product. By opening this package or commencing assembly, you acknowledge that you have read, understood, and agreed to these Conditions of Sale. If purchasing on behalf of another person, you agree you are acting as their agent.

IMPORTANT NOTICE – LEGAL RIGHTS:

Exclusion of liability—waiver of right to sue—assumption of risk – these conditions affect your legal rights. Use of this product involves inherent risks. Users assume full responsibility for safe operation, correct assembly, and maintenance. All Vuly Play Products are subject to following conditions -

1. To the maximum extent permitted by the law, Vuly Play, its employees, directors and agents will not be liable to the customer, their dependents or legal representatives for damage to property, personal injury or death suffered by the customer because the Product was not manufactured or supplied with due care and skill, the Product is not reasonably fit for its purpose or because of negligence, breach of contract, breach of statute or breach of statutory duty by Vuly Play.
2. Vuly Play, its employees, directors and agents are not liable to the customer, their dependents or legal representatives for personal injury or death suffered by the customer because the Product was not:
 - a. Installed in accordance with the Vuly Play instruction manual. It is the customer’s responsibility to check all boxes to confirm that all components are included and in the correct condition before assembly
 - b. Installed with due care and skill, by the customer or a third party assembly service, and
 - c. and in the same condition as when the Product was supplied, due to wear and tear – including, but not limited to, weather damage, deterioration of the fabric, UV deterioration or rust.
3. The customer acknowledges that using the Product can be dangerous, with inherent risks and hazards. As a consequence, personal injury or death may occur. The customer assumes and accepts all such risks, and hereby – to the full extent permitted by

law – waives the right of action against, and fully releases Vuly Play for, loss, damages, personal injury or death in any way caused by, or relating to, the customer’s participation in such activities.

This includes—without limitation—liability for any negligent or tortuous acts or omission, breach of duty, breach of contract or breach of statutory duty on the part of Vuly Play, its office bearers, directors, employees or agents.

Vuly Play Group

AU: 1300 667 514

US: 1-833-333-8888

CAD:(866) 866-8858

UK: 03333 660062

FR: 0801 84 16 77

www.vulyplay.com



WARNING!

The use of the Product involves a significant risk of participants suffering personal injury including the possibility of serious injuries, permanent disability or death. All participants who engage in activities with the Product do so at their own risk.

WARNING!

To reduce the risk of injury while using the system, enforce the following:

- One user at a time - collision hazard.
- 150kg / 330lbs weight user Maximum
- Only use outdoor and Domestic use
- Adult supervision required at all times. Users 6 years of age & over.

WARNING!

Strong winds and wild weather can cause products to lift up and move, to avoid danger please secure your product.

WARNING!

Take care when entering and exiting the Self-Closing Entrance of the trampoline.



ADULT SUPERVISION IS REQUIRED AT ALL TIMES WHILST EQUIPMENT IS IN USE. VULY PLAY CARES ABOUT SAFETY.

2.0. Care and Maintenance

Improper maintenance or lack of care can lead to your trampoline deteriorating earlier than expected. Please follow these care instructions to ensure that your trampoline lasts for as long as possible.

Consumers must not modify the original trampoline, unless carried out according to Vuly Play instructions.

2.1. General care

- Retain this Manual
- Inspect before and after each use. It is essential that you replace any worn, defective or missing parts immediately and only through Vuly Play.
 - See 2.6 Inspection checklist.
- Ensure that the Safety Net is always correctly attached and in good condition.
 - Replace the Safety Net every 1 year.
- Keep away objects that could damage textile components.
- Ensure that moving steel components remain well lubricated.
- Check that all spring-loaded joints remain intact and cannot become dislodged during use.
- Use only Vuly Play-made accessories.
- Use only parts that are recommended by Vuly Play.

2.2. Rust and corrosion

- Be aware of areas that are particularly prone to rusting:
 - Places where water is easily trapped.
 - Hollow sections of steel (which can appear in good condition on the outside, while hiding rust on the inside).
 - Sections where steel components join together.

- Inspect the inside of all Frame Tubes and Net Poles every 6 months—as well as after rain—and remove any water from the inside surfaces.
- Check Frame Tube and Net Pole connection areas for rust.
- Use general-purpose grease on steel connection areas.
- Avoid cleaning steel components excessively; it may reduce the effectiveness of our protective coatings.

2.3. Textile deterioration

- Clean your Jump Mat with a soft sponge only, to avoid prematurely wearing the textiles.
- Avoid using powerful soaps or detergents; they can damage the textiles.
- Wipe dry with an absorbent cloth any water left after rain, cleaning or use of the Vuly Play Mister accessory. The Jump Mat may discolour or form spots, if left to dry in the sun.
- Inspect the inside of your Safety Padding (if applicable) regularly, and remove any water through the drainage holes.
- Remove textile parts, and store them – in their original packaging – in a cool, dry and dark place when the trampoline will be unused for over 1 month. Prolonged exposure to UV sunlight can shorten the lifespan of the Safety Net.

2.4. Weather care

Components of this trampoline are susceptible to deterioration from use and environmental conditions – such as sunlight, rain, salt and heat – to varying degrees.

If your trampoline will be unused for any extended period, disassemble it, return it to its original packaging and store it in a dry place.





RAIN: Remove any fallen debris on your trampoline after rain and wipe off residual water with a dry cloth. Moisture left on the trampoline may contribute to the corrosion of steel components and weaken textiles.



WIND: Disconnect the Safety Net from the Net Poles, and cover the Safety Net and Jump Mat with a storm cover.



COLD: Disassemble your trampoline and store the Jump Mat and Safety Net indoors.



HEAT: Move your trampoline to where it will receive the most shade during the brightest times of the day. Cover when not in use to minimise UV damage.

In certain countries during the winter period, the snow load and the very low temperature change can damage the trampoline. It is recommended to remove the snow and store the mat and the enclosure indoors; checking that the mat, padding and enclosure are without defects.

2.5. Relocation

- Move the trampoline with a minimum of 3 adults, to ensure that the lift is within heavy lifting regulations.
- Move the trampoline short distances using the official Vuly Play Wheels accessory for your trampoline model. Remove after use.
- Do not drag the trampoline. Parts may bend or warp if insufficiently lifted.
- Avoid tilting the trampoline or resting it on its side; the frame may bend under its own weight.
- Disassemble the trampoline, and return it to its original packaging, to transport it over long distances.

COMPONENTS WILL DETERIORATE OVER TIME.

Note: Sunlight, rain, snow and extreme temperatures reduce the strength of components over time.

2.6. Inspection checklist

Use this checklist to inspect your trampoline before each use. Replace any worn, defective, or missing parts to avoid potential hazards. If you discover any safety issues, do not use the trampoline. Contact Vuly Play to order and replace any parts.

Frame

- Bends, cracks, twists or breaks
- Rust spots
- Sharp protrusions

Springs

- Missing, broken or damaged springs

Safety Padding

- Missing, improperly positioned or insecurely attached
- Safety Padding
- Punctures, frays, tears or holes
- Deterioration of, or damage to, the stitching or fabric

Jump Mat

- Punctures, frays, tears or holes
- Deterioration of, or damage to, the stitching or fabric
- Sagging fabric
- Sharp protrusions in the suspension system elements
- Rusting, damaged or bent mat connector steel
- Broken mat connector plastics

Safety Net

- Missing, improperly positioned or insecurely attached Safety Net

- Punctures, frays, tears or holes
- Deterioration of, or damage to, the stitching or fabric of the enclosure barrier or connectors
- Sagging fabric
- Broken or damaged entry system

Net Poles

- Missing, improperly positioned or insecurely attached Plastic Caps
- Bends, cracks, twists or breaks
- Rust spots
- Sharp protrusions



3.0. Usage and Behaviour

Improper use of, or behaviour on, your trampoline can lead to serious injury. Please follow these usage and behaviour instructions to ensure safe play.

3.1. Safe use information

- Maximum user weight: 150kg / 330lbs
- Domestic and outdoor use only.
- Suitable for ages 6 and over.



WARNING!

- Only one user. Collision hazard.
- Always close the net opening before jumping.

3.2. Safe use instructions

To reduce the risk of injury while using the trampoline, enforce the following:

- Ensure that the trampoline has been assembled by an adult, in accordance with the assembly instructions, and been checked over before first use.
- Do not bounce in strong wind conditions or inclement weather, and keep the trampoline secure.
- Ensure active and competent adult supervision at all times while children are using the trampoline. Children are often unable to identify hazards or properly assess risk.
- Avoid eating or drinking while bouncing.
- Empty pockets and hands before bouncing.
- Wear comfortable clothing that allows full and free movement.
- Do not wear jewellery, drawstrings, cords, loops, buckles or anything that could entangle in trampoline components and become a strangulation hazard, a contact hazard or damage the trampoline.

- Remove shoes, as they may damage the bed and increase the risk of injury.
 - Climb on and off the trampoline. Never jump or bounce off. Open the safety net with two hands and step with one foot at a time.
 - Refrain from using the springs as 'hand grips' when getting onto or off the trampoline. Do not allow children, pets, toys or other play equipment underneath the trampoline. Make sure that the areas around, underneath and above the trampoline are clear.
 - Learn fundamental bounces and body positions before trying more advanced manoeuvres.
 - Demonstrate safe use for children before allowing them onto the trampoline.
 - Keep enclosure tightly fastened to the trampoline in accordance with the manufacturer's instructions. Failure to properly assemble and maintain a tight, secure trampoline/enclosure boundary may result in serious injury, strangulation, or death.
 - Do not hang from, kick, cut or climb on the barrier.
 - Do not attach anything to the barrier that is not a manufacturer approved accessory or part of the enclosure system.
 - Enter and exit the enclosure only at the enclosure door or barrier opening designated for that purpose.
 - Contact Vuly or an Authorised Reseller for further information or additional instructional material.
- To learn more advanced trampolining skills, contact a suitable gymnastics or trampoline club.

3.3. Basic trampolining instructions

This trampoline is a domestic model, not a gymnastics trampoline. You will get the safest and best use from it by following these basic principles:

- Do not attempt or allow somersaults on the trampoline. Landing on your head or neck while doing somersaults can cause serious injury, paralysis or even death.
- Do not use the trampoline when wet. The Jump Mat will be slippery and make landing less secure.
- Do not allow users to intentionally bounce into or over the Safety Net, as this can unbalance the trampoline and continual impact may damage the enclosure. Always jump in the middle of the Jump Mat.
- Do not use a trampoline while under the influence of alcohol or drugs. Balance, perception and assessment of risk will be affected and may lead to injury.
- Do not use the trampoline as a springboard to other objects. Use the trampoline only for trampoline-style bouncing.
- Focus your eyes on the edge of the trampoline. This will help control your bounce.
- Stop your bounce by flexing your knees as your feet come in contact with the trampoline bed. Learn this skill before you attempt any others.
- Avoid bouncing too high. Stay low until you can control your bounce and repeatedly land in the centre of the trampoline.
- Do not bounce immediately after a meal.
- Avoid bouncing when tired. Keep turns short.
- Limit the time of continuous usage.

4.0. Pre-Assembly

4.1. Location planning

- Do not bury the trampoline into the ground.
- Place the trampoline on a flat, level surface with impact attenuating properties – such as grass.
- Ensure that the trampoline is sufficiently stable,



to prevent the trampoline from tipping over or blowing away. Sandbags or pegs may be suitable anchorage devices.

- Keep a minimum of 8 m overhead clearance, when measured from the bed height, to prevent users from inadvertently contacting overhead hazards – such as electric wires, tree limbs and clotheslines.
- Maintain a minimum clearance of 2 m on all sides of the trampoline. This area should not include concrete, bitumen, brick or other hard surfaces, as these can cause serious injuries if users fall off the trampoline.
- Do not locate the trampoline on top of other objects or store anything underneath the trampoline bed.
- Keep the area around and underneath the trampoline clear. Place the trampoline away from walls, structures, fences and other play areas.
- Place the trampoline in a well-lit area.

4.2. Pre-assembly instructions

- Find level ground, and make sure that there are no obstructions nearby.
- Check that you have all the parts required for assembly.

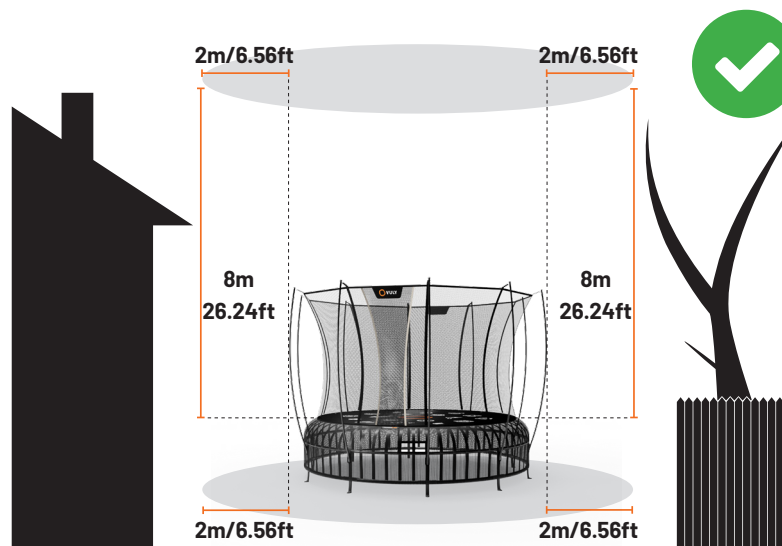
Remember:

Wear the Vuly Play gloves at all times when installing your trampoline.

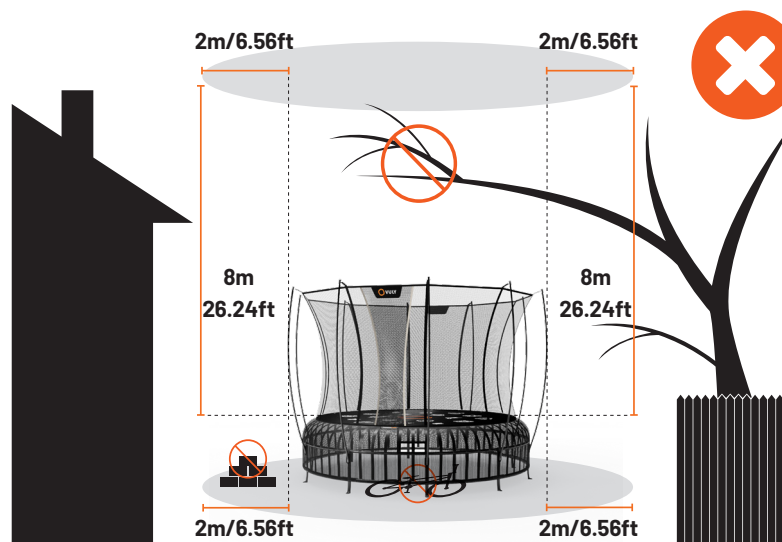


Time required for assembly: 1 hour (approx).

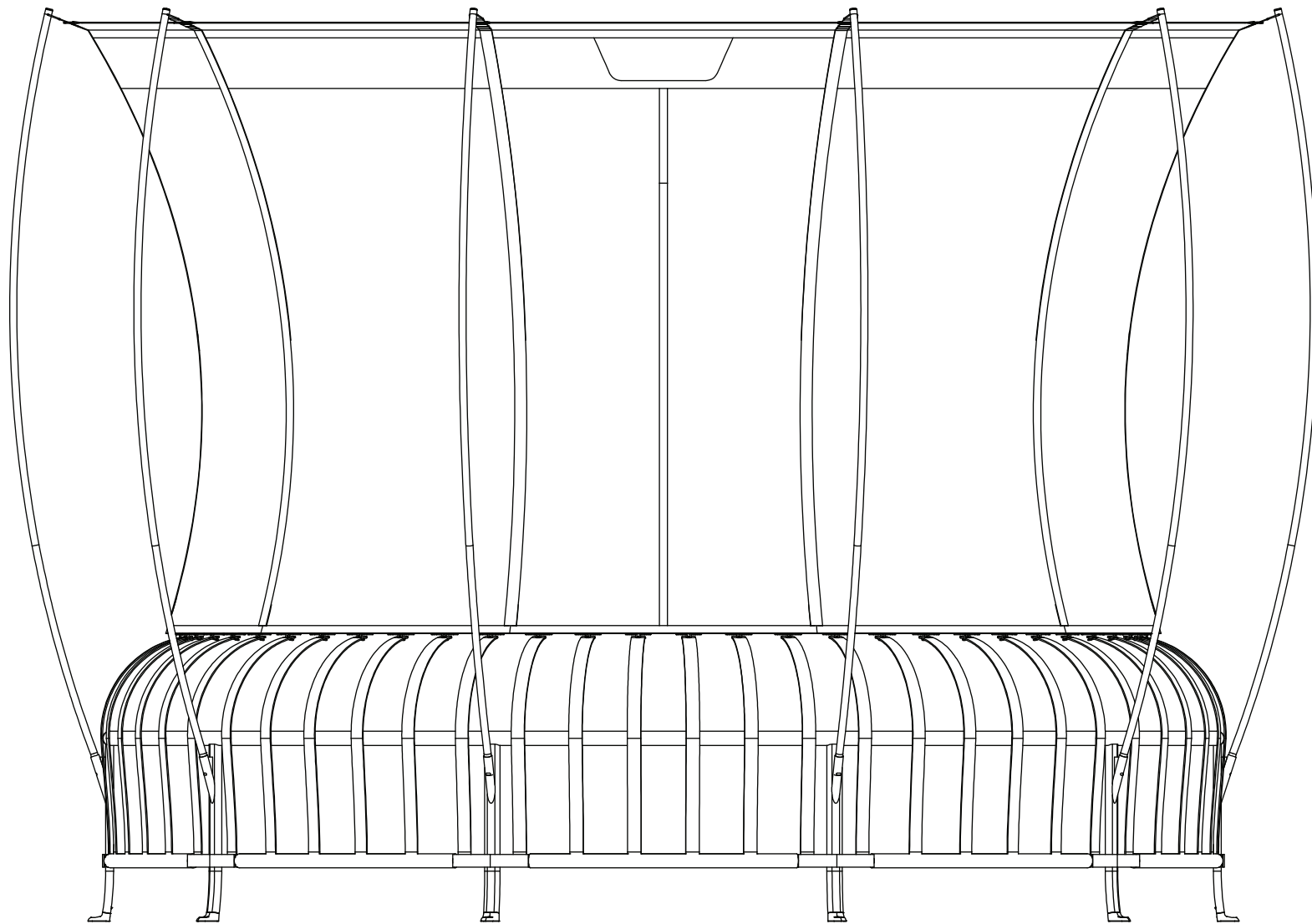
Number of people required for assembly: 2



Correct Installation



Incorrect Installation



2.8 m (9.4ft)

4.1 m (13.5ft)



1.0. Avertissement Légal et Conditions de Vente

Les conditions de vente suivantes s'appliquent aux acheteurs de tout produit Vuly Play et les engagent juridiquement.

Ce produit est fabriqué et distribué exclusivement par les entités juridiques suivantes dans leurs régions respectives:

- **Australie:** Vuly Play Group ABN 48 655 129 623
Adresse: 95 Ingleston Road, Wakerley, QLD 4154
- **États-Unis:** Vuly USA Operations Corp.
EIN 99-2968094
Adresse: 1087 W. River St., Ste 310, Boise, ID 83702
- **Canada:** Vuly Canada Operations Corp. C1025301
Adresse: 1055 W. Georgia St, Unité 1500,
Vancouver, BC V6E 4N7
- **Royaume-Uni:** United Kingdom Play Ltd 16492883
Adresse : Windsor House Station Court, Station
Road, Great Shelford, Cambridge,
Royaume-Uni, CB22 5NE
- **Europe:** Europe Play Operations B.V.
Adresse: Hofplein 20, Rotterdam,
3032 AC, Netherlands.

Chaque entité est uniquement responsable des ventes, de l'assistance, de la sécurité des produits, de la garantie et de la conformité dans son pays.

Toute réclamation juridique, tout litige ou toute responsabilité doivent être traités exclusivement dans le pays où le produit a été acheté, selon les lois de cette juridiction.

AVIS À L'UTILISATEUR:

Veuillez lire attentivement le présent accord avant d'acheter ou d'assembler ce produit. En ouvrant cet emballage ou en débutant l'assemblage, vous reconnaissez avoir lu, compris et accepté les présentes conditions de vente. Si vous effectuez l'achat pour le

compte d'une autre personne, vous acceptez d'agir en tant que mandataire.

AVIS IMPORTANT – DROITS LÉGAUX:

Exclusion de—renonciation au droit de poursuite—acceptation des risques: ces conditions affectent vos droits légaux. L'utilisation de ce produit comporte des risques inhérents. L'utilisateur assume l'entière responsabilité de l'utilisation sécurisée, du montage conforme et de l'entretien adéquat.

Tous les produits Vuly Play sont soumis aux conditions suivantes:

1. Dans toute la mesure permise par la loi, Vuly Play, ses employés, directeurs et agents ne sauraient être tenus responsables envers le client, ses ayants droit ou représentants légaux pour tout dommage matériel, blessure ou décès résultant:
 - d'un produit non fabriqué ou fourni avec la diligence et la compétence requises ; d'un produit non adapté à l'usage prévu ; d'un manquement contractuel, d'une négligence ou d'une violation de la loi par Vuly Play.
2. Vuly Play, ses employés, directeurs et agents ne sauraient être tenus responsables pour toute blessure ou tout décès résultant du fait que le produit:
 - a. N'a pas été installé conformément au manuel d'instructions de Vuly Play. Il incombe au client de vérifier toutes les boîtes pour s'assurer que tous les composants sont présents et en bon état avant l'assemblage.
 - b. N'a pas été installé avec soin et compétence, que ce soit par le client ou par un service tiers.
 - c. N'a pas été maintenu dans l'état d'origine, en raison d'une usure normale (notamment les intempéries, la détérioration des textiles, l'exposition aux UV ou la rouille).

3. Le client reconnaît que l'utilisation de ce produit comporte des risques inhérents. Des blessures ou un décès peuvent en découler. Le client accepte l'ensemble de ces risques et renonce, dans toute la mesure permise par la loi, à tout recours contre Vuly Play, pour toute perte, tout dommage, toute blessure ou tout décès causé directement ou indirectement par l'utilisation du produit.

Cela inclut, sans s'y limiter, toute responsabilité découlant d'un acte ou d'une omission négligente, d'un manquement contractuel ou légal de Vuly Play, de ses dirigeants, employés ou représentants.

Vuly Play Group

AU: 1300 667 514

US: 1-833-333-8888

CAD:(866) 866-8858

UK: 03333 660062

FR: 0801 84 16 77

www.vulyplay.com



AVERTISSEMENT!

L'utilisation du produit comporte un risque important de blessure pour les utilisateurs, y compris la possibilité de blessures graves, d'un handicap permanent ou de décès. Tous les participants utilisant le produit le font à leurs propres risques.

AVERTISSEMENT!

Pour réduire le risque de blessure lors de l'utilisation du système, appliquez les consignes suivantes:

- Un seul utilisateur à la fois – risque de collision.
- Poids maximal de l'utilisateur: 150kg / 330lbs
- À utiliser uniquement en extérieur et à des fins domestiques.
- Surveillance adulte requise en tout temps. Convient aux utilisateurs âgés de 6 ans et plus.

AVERTISSEMENT!

De forts vents et des conditions météorologiques extrêmes peuvent soulever ou déplacer le produit. Pour éviter tout danger, assurez-vous qu'il est bien fixé.

AVERTISSEMENT!

Soyez prudent lorsque vous entrez ou sortez par l'entrée à fermeture automatique du trampoline.



UNE SURVEILLANCE ADULTE EST REQUISE EN TOUT TEMPS LORSQUE L'ÉQUIPEMENT EST UTILISÉ. VULY PLAY SE SOUCIE DE LA SÉCURITÉ.

2.0. Entretien et Maintenance

Un mauvais entretien ou un manque de soin peut entraîner une détérioration prématurée de votre trampoline.

Veillez suivre les instructions d'entretien suivantes pour garantir une durée de vie maximale à votre trampoline.

Les consommateurs ne doivent pas modifier le trampoline d'origine, sauf si cela est fait conformément aux instructions de Vuly Play.

2.1. Entretien général

- Conservez ce manuel.
- Inspectez le trampoline avant et après chaque utilisation. Il est essentiel de remplacer immédiatement toute pièce usée, défectueuse ou manquante uniquement via Vuly Play.
 - Voir 2.6 Liste de vérification d'inspection.
- Assurez-vous que le Filet de Sécurité est toujours correctement attaché et en bon état.
 - Remplacez le Filet de Sécurité chaque année.
- Tenez les objets susceptibles d'endommager les composants textiles à l'écart.
- Veillez à ce que les pièces métalliques mobiles restent bien lubrifiées.
- Vérifiez que toutes les articulations à ressort restent bien en place et ne risquent pas de se détacher pendant l'utilisation.
- Utilisez uniquement des accessoires fabriqués par Vuly Play.
- Utilisez uniquement les pièces recommandées par Vuly Play.

2.2. Rouille et corrosion

- Soyez attentif aux zones particulièrement sujettes à la rouille:
 - Endroits où l'eau peut facilement stagner.
 - Sections creuses en acier (qui peuvent paraître intactes à l'extérieur, mais contenir de la rouille à l'intérieur).
 - Zones où les composants en acier sont assemblés.
- Inspectez l'intérieur de tous les tubes du cadre et des poteaux de filet tous les 6 mois—ainsi qu'après la pluie—et éliminez toute eau stagnante à l'intérieur.
- Vérifiez les zones de connexion entre les tubes du cadre et les poteaux du filet pour détecter la rouille.
- Appliquez une graisse universelle sur les points de connexion en acier.
- Évitez de nettoyer excessivement les composants en acier, ce qui pourrait réduire l'efficacité de leurs revêtements protecteurs.

2.3. Déterioration des textiles

- Nettoyez le tapis de saut uniquement avec une éponge douce pour éviter toute usure prématurée.
- N'utilisez pas de savons ou détergents puissants ; ils peuvent endommager les textiles.
- Essuyez toute eau restante après la pluie, le nettoyage ou l'utilisation de l'accessoire Vuly Play Mister avec un chiffon absorbant. Le tapis de saut pourrait se décolorer ou présenter des taches s'il est laissé à sécher au soleil.
- Retirez les pièces textiles et rangez-les—dans leur emballage d'origine—dans un endroit frais, sec et sombre si le trampoline ne sera pas utilisé pendant plus d'un mois. Une exposition prolongée au soleil peut réduire la durée de vie du Filet de Sécurité.



2.4. Entretien en fonction des conditions climatiques

Les composants de ce trampoline sont sensibles à l'usure due à l'usage et aux conditions environnementales—telles que le soleil, la pluie, le sel ou la chaleur—à divers degrés.

Si votre trampoline ne doit pas être utilisé pendant une longue période, démontez-le, rangez-le dans son emballage d'origine et stockez-le dans un endroit sec.



PLUIE: Retirez les débris tombés sur le trampoline après la pluie et essuyez l'eau résiduelle avec un chiffon sec. L'humidité peut favoriser la corrosion des composants en acier et affaiblir les textiles.



VENT: Déconnectez le Filet de Sécurité des poteaux du filet, et couvrez le filet et le tapis de saut avec une housse anti-tempête.



FROID: Déconnectez le Filet de Sécurité des poteaux et couvrez le filet ainsi que le tapis de saut avec une housse anti-tempête.



CHALEUR : Déplacez le trampoline vers un endroit ombragé pendant les heures les plus chaudes de la journée. Couvrez-le lorsqu'il n'est pas utilisé afin de limiter les dommages causés par les UV.

Dans certains pays, en hiver, la neige accumulée et les variations extrêmes de température peuvent endommager le trampoline. Il est recommandé de retirer la neige et de stocker le tapis et le filet à l'intérieur, après avoir vérifié qu'ils ne présentent aucun défaut.

2.5. Déplacement

- Déplacez le trampoline avec au moins 3 adultes pour respecter les réglementations relatives à la manutention de charges lourdes.
- Déplacez-le sur de courtes distances à l'aide de l'accessoire officiel Vuly Play Wheels, adapté à votre modèle. Retirez les roues après usage.

- Ne traînez jamais le trampoline. Les pièces risquent de se tordre ou de se déformer si le levage est insuffisant.
- Évitez de basculer le trampoline ou de le poser sur le côté; le cadre peut se plier sous son propre poids.
- Pour tout déplacement de longue distance, démontez le trampoline et replacez-le dans son emballage d'origine.

LES COMPOSANTS SE DÉTÉRIORERONT AVEC LE TEMPS.

Remarque: la lumière du soleil, la pluie, la neige et les températures extrêmes réduisent la résistance des composants au fil du temps.

2.6. Liste de vérification de l'inspection

Utilisez cette liste pour inspecter votre trampoline avant chaque utilisation. Remplacez toute pièce usée, défectueuse ou manquante pour éviter tout danger potentiel. En cas de problème de sécurité, n'utilisez pas le trampoline. Contactez Vuly Play pour commander et remplacer les pièces.

Cadre

- Plis, fissures, torsions ou ruptures
- Taches de rouille
- Parties saillantes ou tranchantes

Ressorts

- Ressorts manquants, cassés ou endommagés

Tapis de saut

- Perforations, effilochages, déchirures ou trous
- Détérioration ou dommage aux coutures ou au tissu
- Affaissement du tissu
- Parties saillantes dans le système de suspension
- Rouille, dommages ou déformation des connecteurs en acier

- Connecteurs en plastique cassés

Filet de Sécurité et jupe

- Filet manquant, mal positionné ou mal attaché
- Perforations, effilochages, déchirures ou trous
- Détérioration ou dommage des coutures ou du tissu de l'enceinte ou des connecteurs
- Tissu affaissé
- Système d'entrée cassé ou endommagé

Poteaux du filet

- Couverts en plastique manquants, mal positionnés ou mal attachés
- Plis, fissures, torsions ou ruptures
- Taches de rouille
- Parties saillantes ou tranchantes



3.0. Utilisation et Comportement

Une mauvaise utilisation ou un comportement inapproprié sur le trampoline peut entraîner des blessures graves. Veuillez suivre les instructions ci-dessous pour garantir une utilisation sécurisée.

3.1. Informations sur une utilisation sécuritaire

- Poids maximal de l'utilisateur : 150kg / 330lbs
- Utilisation réservée à un usage domestique et en extérieur uniquement
- Convient aux enfants à partir de 6 ans.



ATTENTION!

- Un seul utilisateur à la fois – risque de collision.
- Toujours fermer complètement l'ouverture du filet avant de sauter.

3.2. Instructions d'utilisation sécuritaire

Pour limiter les risques de blessure lors de l'utilisation du trampoline, respectez les consignes suivantes:

- Le trampoline doit être assemblé par un adulte conformément aux instructions, puis vérifié avant la première utilisation.
- N'utilisez pas le trampoline en cas de vent fort ou de mauvais temps ; veillez à ce qu'il soit toujours solidement ancré.
- Une surveillance adulte active et compétente est requise à tout moment lorsque des enfants utilisent le trampoline. Les enfants ne sont pas toujours capables de percevoir ou d'évaluer les dangers.
- Ne mangez ni ne buvez pendant que vous sautez.

- Maintenez l'enceinte fermement fixée au trampoline conformément aux instructions du fabricant. Le défaut d'assembler et de maintenir correctement une jonction hermétique et sécurisée entre le trampoline et l'enceinte peut entraîner des blessures graves, une strangulation ou la mort.
- Ne vous suspendez pas à la barrière, ne la frappez pas du pied, ne la coupez pas et ne grimpez pas dessus.
- N'attachez rien à la barrière qui ne soit un accessoire approuvé par le fabricant ou une partie du système d'enceinte.
- Entrez et sortez de l'enceinte uniquement par la porte de l'enceinte ou l'ouverture de la barrière prévue à cet effet.
- Videz vos poches et vos mains avant d'utiliser le trampoline.

Pour apprendre des techniques avancées, contactez un club de gymnastique ou de trampoline.

3.3. Instructions de base pour le trampoline

Ce modèle est un trampoline de loisir domestique, non un trampoline de gymnastique. Pour l'utiliser de manière optimale et sécurisée, suivez les recommandations suivantes:

- Ne tentez pas et ne permettez pas les saltos ou figures acrobatiques. Une chute sur la tête ou le cou peut provoquer des blessures graves, une paralysie ou même entraîner la mort.
- N'utilisez pas le trampoline lorsqu'il est mouillé – le tapis peut devenir glissant, ce qui compromet la sécurité des réceptions.
- Ne sautez jamais intentionnellement contre le filet ou au-dessus. Cela peut déséquilibrer la structure ou endommager l'enceinte. Sautez toujours au centre du tapis.
- N'utilisez jamais le trampoline sous l'influence de

l'alcool ou de drogues – cela altère votre équilibre, votre perception et votre capacité à évaluer les risques.

- N'utilisez pas le trampoline comme tremplin pour accéder à d'autres objets. Il est exclusivement conçu pour un usage de type trampoline.
- Gardez le regard dirigé vers les bords du trampoline pour mieux contrôler vos sauts.
- Pour arrêter de rebondir, fléchissez les genoux au moment de l'atterrissage. Apprenez cette technique avant d'en essayer d'autres.
- Ne sautez pas trop haut. Restez à une hauteur modérée tant que vous ne maîtrisez pas vos sauts et vos atterrissages.
- Évitez de sauter immédiatement après un repas.
- Évitez de sauter lorsque vous êtes fatigué. Faites des tours de courte durée.
- Limitez la durée d'utilisation continue pour éviter la fatigue et les risques associés.

4.0. Pré-Assemblage

4.1. Planification de l'emplacement

- Ne jamais enterrer le trampoline dans le sol.
- Installez le trampoline sur une surface plane et nivelée, dotée de propriétés d'absorption des chocs – comme une pelouse.
- Assurez-vous que le trampoline est suffisamment stable pour éviter tout basculement ou soulèvement par le vent. Des sacs de sable ou des piquets de fixation peuvent être utilisés comme dispositifs d'ancrage appropriés.
- Maintenez un dégagement vertical d'au moins 8 m à partir du niveau du tapis, afin d'éviter tout contact avec des obstacles en hauteur – tels que câbles électriques, branches ou fils à linge.
- Prévoyez un dégagement minimum de 2 m tout autour. Cette zone ne doit contenir aucune surface



dures comme du béton, du bitume ou des briques.

- Ne placez pas le trampoline sur d'autres objets et ne rangez rien sous la toile.
- Maintenez la zone autour et sous le trampoline complètement dégagée. Éloignez le trampoline des murs, clôtures et autres structures.
- Installez le trampoline dans un endroit bien éclairé.

4.2. Instructions préalables à l'assemblage

- Choisissez une surface plane et assurez-vous qu'aucun obstacle ne se trouve à proximité.
- Vérifiez que vous disposez de toutes les pièces nécessaires à l'assemblage.

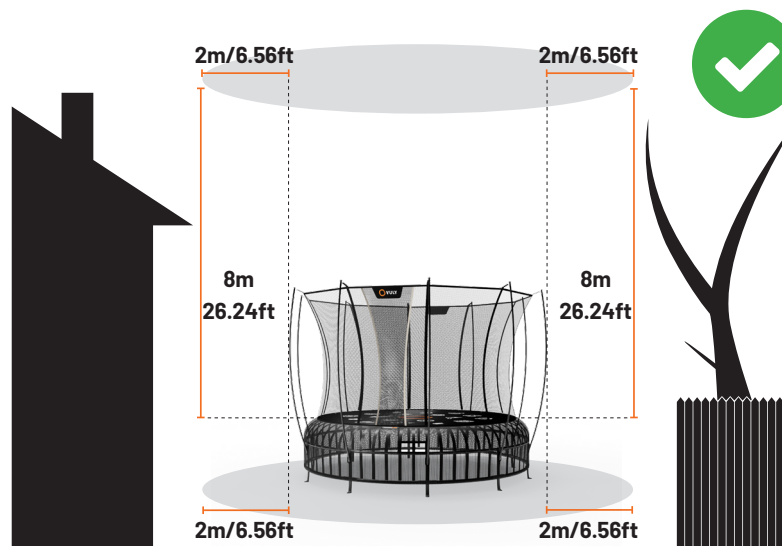
N'oubliez pas:

portez les gants Vuly Play pendant toute la durée de l'installation.

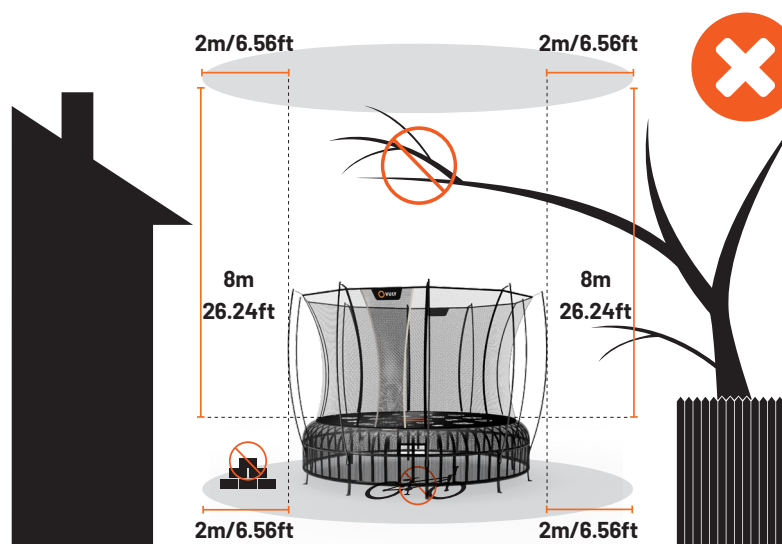


Temps requis pour l'assemblage: environ 1 heure.

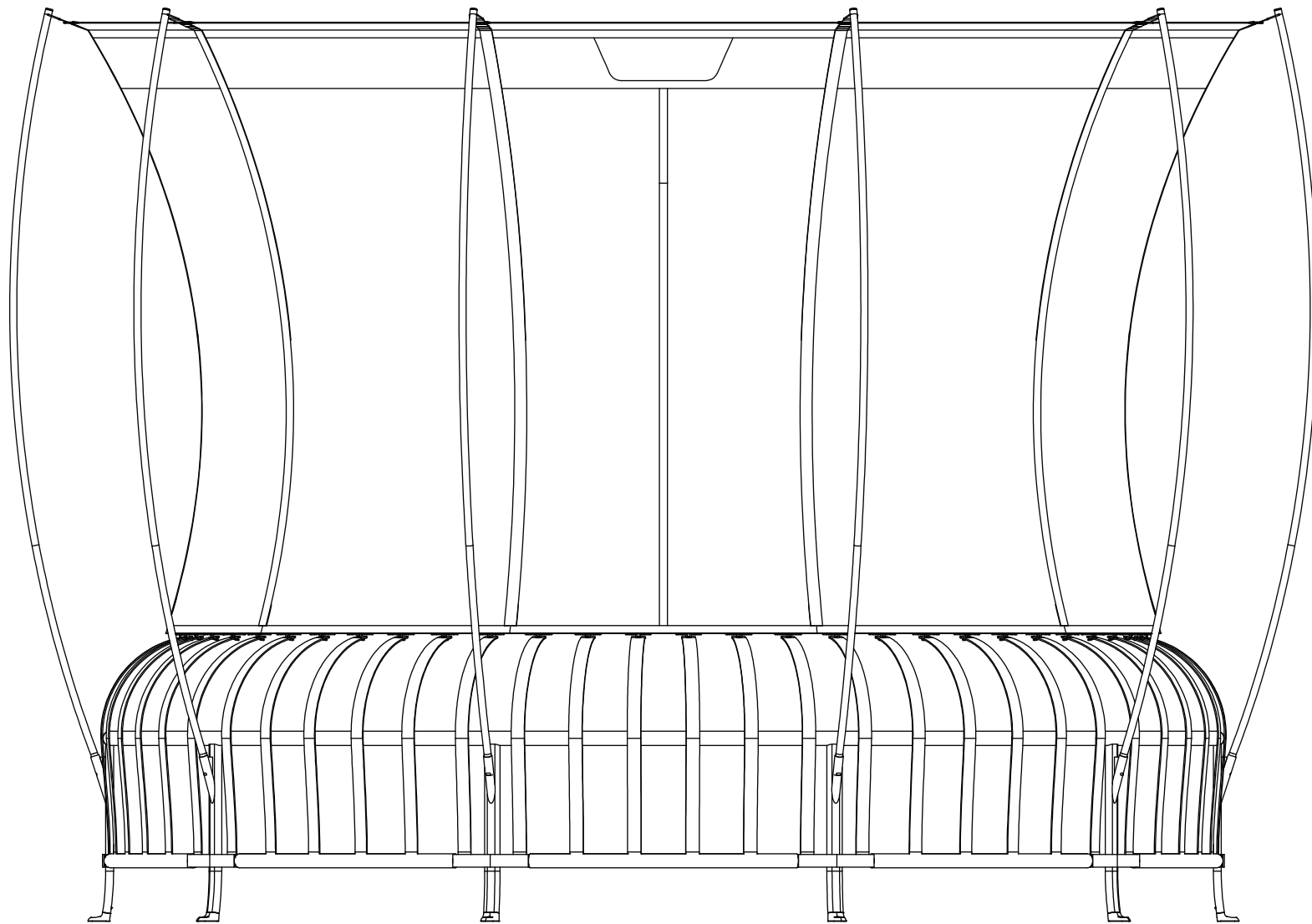
Nombre de personnes nécessaires pour l'assemblage: 2



Installation Correcte



Installation Incorrecte



2.8 m (9.4ft)

4.1 m (13.5ft)



1.0. Rechtlicher Hinweis Und Verkaufsbedingungen

Die folgenden Verkaufsbedingungen gelten für Käufer eines Vuly-Play-Produkts und sind für sie verbindlich.

Dieses Produkt wird ausschließlich von den folgenden juristischen Personen in ihren jeweiligen Regionen hergestellt und vertrieben:

- **Australien:** Vuly Play Group ABN 48 655 129 623
Adresse: 95 Ingleston Road, Wakerley, QLD 4154
- **Vereinigte Staaten:** Vuly USA Operations Corp.
EIN 99-2968094
Adresse: 1087 W. River St., Ste 310, Boise, ID 83702
- **Kanada:** Vuly Canada Operations Corp. C1025301
Adresse: 1055 W. Georgia St, Einheit 1500,
Vancouver, BC V6E 4N7
- **Vereinigtes Königreich:** United Kingdom Play Ltd
16492883
Adresse: Windsor House Station Court, Station Road,
Great Shelford, Cambridge, UK, CB22 5NE
- **Europa:** Europe Play Operations B.V.
Adresse: Hofplein 20, Rotterdam,
3032 AC, Netherlands

Jede dieser Einheiten ist ausschließlich für Verkauf, Support, Produktsicherheit, Garantie und Gesetzeskonformität im jeweiligen Land verantwortlich.

Alle rechtlichen Ansprüche, Streitigkeiten oder Haftungsfragen sind ausschließlich in dem Land geltend zu machen, in dem das Produkt erworben wurde, und unterliegen dem Recht dieser Gerichtsbarkeit

HINWEIS FÜR DEN BENUTZER:

Bitte lesen Sie dieses Dokument sorgfältig durch, bevor Sie dieses Produkt kaufen oder zusammenbauen. Mit dem Öffnen der Verpackung oder dem Beginn der Montage bestätigen Sie, dass Sie diese Verkaufsbedingungen gelesen, verstanden und akzeptiert haben. Wenn Sie im Namen einer anderen

Person kaufen, erklären Sie sich damit einverstanden, als deren Vertreter zu handeln.

WICHTIGER HINWEIS – RECHTLICHE HINWEISE:

Haftungsausschluss – Verzicht auf das Klagerecht – Risikoübernahme – diese Bedingungen beeinträchtigen Ihre gesetzlichen Rechte.

Die Verwendung dieses Produkts ist mit inhärenten Risiken verbunden. Die Nutzer*innen tragen die volle Verantwortung für sicheren Betrieb, korrekten Aufbau und Wartung.

Für alle Vuly-Play-Produkte gelten die folgenden Bedingungen:

1. Soweit gesetzlich zulässig, haften Vuly Play, seine Mitarbeitenden, Geschäftsführung und Vertreter nicht gegenüber dem Kunden, dessen Angehörigen oder gesetzlichen Vertretern für Sachschäden, Körperverletzungen oder Todesfälle, die daraus resultieren,
 - dass das Produkt nicht mit angemessener Sorgfalt und Fachkenntnis hergestellt oder geliefert wurde,
 - dass das Produkt nicht für den vorgesehenen Zweck geeignet war,
 - oder aufgrund von Fahrlässigkeit, Vertragsbruch, Gesetzesverstoß oder Pflichtverletzung durch Vuly Play.
2. Vuly Play, seine Mitarbeitenden, Geschäftsführung und Vertreter haften nicht für Verletzungen oder Todesfälle, die dadurch verursacht wurden, dass das Produkt:
 - a. nicht gemäß der Vuly-Play-Montageanleitung installiert wurde. Es liegt in der Verantwortung des Kunden, alle Kartons zu überprüfen, um sicherzustellen, dass alle Komponenten vollständig und unversehrt sind, bevor mit der Montage begonnen wird.

- b. nicht mit angemessener Sorgfalt und Fachkenntnis installiert wurde – entweder durch den Kunden selbst oder durch einen externen Montageservice.
 - c. sich nicht mehr im Originalzustand befand – z. B. durch Abnutzung oder äußere Einflüsse wie Wetterschäden, Stoffverschleiß, UV-Belastung oder Rost.
3. Der Kunde erkennt an, dass die Nutzung des Produkts gefährlich sein und mit Risiken verbunden sein kann. Verletzungen oder Todesfälle sind möglich. Der Kunde übernimmt diese Risiken vollständig und verzichtet—soweit gesetzlich zulässig—auf jegliche Ansprüche gegen Vuly Play und entbindet das Unternehmen vollständig von jeder Haftung für Verluste, Schäden, Verletzungen oder Todesfälle, die durch oder im Zusammenhang mit der Nutzung des Produkts entstehen.
 - Dies umfasst—ohne Einschränkung—auch Haftung aus Fahrlässigkeit, unerlaubten Handlungen, Pflichtverletzungen, Vertragsverletzungen oder Verstößen gegen gesetzliche Pflichten durch Vuly Play, seine Führungskräfte, Mitarbeitenden oder Vertreter.

Vuly Play Group

AU: 1300 667 514

US: 1-833-333-8888

CAD:(866) 866-8858

UK: 03333 660062

FR: 0801 84 16 77

www.vulyplay.com



ACHTUNG!

Die Nutzung des Produkts ist mit erheblichen Risiken verbunden und kann zu schweren Verletzungen, dauerhafter Behinderung oder Tod führen.

Alle Nutzer verwenden das Produkt auf eigene Gefahr.

ACHTUNG!

Zur Verringerung des Verletzungsrisikos beachten Sie bitte die folgenden Sicherheitshinweise:

- Nur eine Person gleichzeitig – Kollisionsgefahr
- Maximal zulässiges Benutzergewicht: 150kg / 330lbs
- Nur für den privaten Gebrauch im Außenbereich
- Ständige Beaufsichtigung durch Erwachsene erforderlich.
- Geeignet für Benutzer ab 6 Jahren

ACHTUNG!

Starker Wind und Unwetter können das Produkt anheben oder verschieben. Um Gefahren zu vermeiden, sichern Sie es ordnungsgemäß.

ACHTUNG!

Achten Sie beim Ein- und Ausstieg durch den sich selbst schließenden Zugang des Trampolins besonders auf Ihre Sicherheit.



DIE AUFSICHT DURCH EINE ERWACHSENE PERSON IST WÄHREND DER VERWENDUNG DES PRODUKTS JEDERZEIT ERFORDERLICH. VULY PLAY LEGT GROSSEN WERT AUF SICHERHEIT.

2.0. Pflege und Wartung

Unsachgemäße Wartung oder mangelnde Pflege können dazu führen, dass Ihr Trampolin früher als erwartet verschleißt. Befolgen Sie diese Pflegehinweise sorgfältig, um die Lebensdauer Ihres Trampolins bestmöglich zu verlängern. Verbraucher dürfen keine Änderungen am ursprünglichen Trampolin vornehmen, es sei denn, dies erfolgt ausdrücklich gemäß den Anweisungen von Vuly Play.

2.1. Allgemeine Pflege

- Bewahren Sie dieses Handbuch sorgfältig auf.
- Überprüfen Sie das Trampolin vor und nach jeder Nutzung. Es ist wichtig, dass abgenutzte, defekte oder fehlende Teile umgehend ersetzt werden – ausschließlich über Vuly Play.
 - Siehe Abschnitt 2.6: Inspektions-Checkliste.
- Achten Sie stets darauf, dass das Sicherheitsnetz korrekt befestigt und in einwandfreiem Zustand ist.
 - Wir empfehlen, das Sicherheitsnetz mindestens einmal pro Jahr auszutauschen.
- Halten Sie Objekte fern, die textile Bestandteile beschädigen könnten.
- Stellen Sie sicher, dass bewegliche Metallteile gut geschmiert sind.
- Überprüfen Sie regelmäßig alle federbelasteten Verbindungen und vergewissern Sie sich, dass sie fest sitzen und sich während der Nutzung nicht lösen.
- Verwenden Sie ausschließlich Zubehörteile von Vuly Play.
- Verwenden Sie nur von Vuly Play empfohlene Originalersatzteile.

2.2. Rost und Korrosion

- Achten Sie besonders auf rostanfällige Stellen:
 - Bereiche, in denen sich Wasser ansammeln kann

- Hohlprofile aus Stahl (diese können außen unversehrt erscheinen, aber innen Rost bilden)
- Verbindungsstellen zwischen Stahlkomponenten
- Untersuchen Sie alle Rahmentuben und Netzpfeiler mindestens alle 6 Monate sowie nach starken Regenfällen und entfernen Sie ggf. angesammeltes Wasser aus dem Inneren.
- Kontrollieren Sie die Übergänge zwischen Rahmenrohr und Netzpfeiler auf Korrosion.
- Verwenden Sie Universalfett an den Stahlverbindungen.
- Reinigen Sie die Stahlteile nur bei Bedarf – übermäßiges Reinigen kann die Schutzbeschichtung beschädigen.

2.3. Textilverschleiß

- Reinigen Sie die Sprungmatte ausschließlich mit einem weichen Schwamm, um Materialverschleiß vorzubeugen.
- Verwenden Sie keine aggressiven Reinigungsmittel oder Seifen – sie können die Textilien beschädigen.
- Wischen Sie nach Regen, Reinigung oder Nutzung des Vuly-Mister-Zubehörs stehendes Wasser mit einem saugfähigen Tuch ab. Wird die Sprungmatte der Sonne ausgesetzt und nicht abgetrocknet, kann es zu Verfärbungen oder Fleckenbildung kommen.
- Entfernen Sie textile Komponenten und lagern Sie sie – möglichst in ihrer Originalverpackung – an einem kühlen, trockenen und dunklen Ort, wenn das Trampolin länger als einen Monat nicht verwendet wird.
- Längere UV-Belastung kann die Lebensdauer des Sicherheitsnetzes deutlich verkürzen.



2.4. Witterungspflege

Die Komponenten Ihres Trampolins sind je nach Nutzung und Umwelteinflüssen – wie Sonne, Regen, Salz oder Hitze – unterschiedlich stark beansprucht.

Wenn das Trampolin über einen längeren Zeitraum nicht verwendet wird, sollte es demontiert, wieder in der Originalverpackung verstaut und trocken eingelagert werden.



REGEN: Entfernen Sie nach Niederschlägen Blätter und Rückstände vom Trampolin. Wischen Sie verbleibende Feuchtigkeit mit einem Tuch ab. Feuchtigkeit kann Korrosion an Metallteilen verursachen und die Textilien schwächen.



WIND: Trennen Sie das Sicherheitsnetz von den Netzpfeosten. Decken Sie sowohl das Netz als auch die Sprungmatte mit einer Sturmschutzplane ab.



KÄLTE: Demontieren Sie das Trampolin und lagern Sie Sprungmatte und Sicherheitsnetz im Innenbereich.



HITZE: Stellen Sie das Trampolin idealerweise an einen schattigen Ort – besonders während der heißesten Tageszeit. Decken Sie es bei Nichtgebrauch ab, um UV-Schäden zu minimieren.

In einigen Regionen können Schneelasten und extreme Temperaturschwankungen im Winter das Trampolin beschädigen.

Entfernen Sie in diesem Fall regelmäßig Schnee und lagern Sie Sprungmatte und Netz nach vorheriger Sichtkontrolle im Innenbereich.

2.5. Standortwechsel

- Bewegen Sie das Trampolin stets mit mindestens 3 Erwachsenen, um die Vorschriften zum Heben schwerer Lasten einzuhalten.
- Für kurze Distanzen verwenden Sie das speziell

dafür vorgesehene Vuly Play-Wheels-Zubehör (modellabhängig). Entfernen Sie es nach dem Umstellen.

- Ziehen Sie das Trampolin niemals über den Boden – dies kann zu Schäden an Struktur oder Verbindungsteilen führen.
- Kippen oder stellen Sie das Trampolin nicht auf die Seite – das Gestell kann sich unter seinem eigenen Gewicht verformen.
- Für längere Transporte demontieren Sie das Trampolin vollständig und verpacken Sie es in der Originalverpackung.

KOMPONENTEN WERDEN MIT DER ZEIT VERSCHLEISSEN.

Hinweis: Sonnenlicht, Regen, Schnee und extreme Temperaturen verringern die strukturelle Festigkeit von Bauteilen über die Zeit hinweg.

2.6. Inspektions-Checkliste

- Verwenden Sie die folgende Liste zur regelmäßigen Kontrolle Ihres Trampolins – idealerweise vor jeder Nutzung.
- Ersetzen Sie alle verschlissenen, beschädigten oder fehlenden Teile, um Verletzungsrisiken auszuschließen.
- Wenn ein Sicherheitsmangel festgestellt wird, darf das Trampolin nicht benutzt werden. Kontaktieren Sie Vuly Play zur Bestellung von Ersatzteilen.

Rahmen

- Verformungen, Risse, Verdrehungen oder Brüche
- Roststellen
- Scharfe oder herausstehende Kanten

Federn

- Fehlende, gebrochene oder beschädigte Federn

Sprungmatte

- Einstiche, Ausfransungen, Risse oder Löcher

- Beschädigung oder Abnutzung der Nähte oder des Gewebes
- Durchhängender Stoff
- Scharfe Elemente im Federungssystem
- Verrostete, beschädigte oder verbogene Stahlverbinder
- Gebrochene Kunststoffverbinder

Sicherheitsnetz und Schutzrand

- Fehlendes, falsch positioniertes oder unsicher befestigtes Sicherheitsnetz
- Einstiche, Ausfransungen, Risse oder Löcher
- Beschädigte oder verschlissene Nähte oder Gewebeelemente des Netzes oder der Verbindungsteile
- Durchhängender Stoff
- Defektes oder beschädigtes Einstiegssystem

Netzpfeosten

- Fehlende, falsch angebrachte oder lose Kunststoffkappen
- Verformungen, Risse, Verdrehungen oder Brüche
- Roststellen
- Scharfe Kanten oder hervorstehende Teile



3.0. Nutzung und Verhalten

Beachten Sie die folgenden Sicherheitshinweise und Verhaltensregeln sorgfältig. Ein Trampolin kann gefährlich sein, wenn es nicht ordnungsgemäß verwendet wird. Elterliche Aufsicht ist jederzeit erforderlich.

3.1. Sicherheitshinweise zur Nutzung

- Maximales Benutzergewicht: 150kg / 330lbs
- Nur für den häuslichen und Außenbereich geeignet
- Geeignet für Kinder ab 6 Jahren



ACHTUNG!

- Es darf sich immer nur eine Person gleichzeitig auf dem Trampolin befinden. Es besteht Kollisionsgefahr.
- Die Netzöffnung muss vor dem Springen vollständig geschlossen werden.

3.2. Sicherheitshinweise zur Nutzung

Um Verletzungen zu vermeiden, befolgen Sie unbedingt die folgenden Hinweise:

- Das Trampolin muss von einer erwachsenen Person gemäß der Montageanleitung aufgebaut und vor der ersten Nutzung vollständig überprüft werden.
- Nicht bei starkem Wind oder schlechtem Wetter springen. Das Trampolin muss in diesen Fällen gesichert sein.
- Eine aufmerksame und sachkundige Aufsicht durch Erwachsene ist bei der Nutzung durch Kinder jederzeit erforderlich – Kinder können Gefahren oft nicht richtig einschätzen.
- Während des Springens weder essen noch trinken.
- Taschen leeren und Hände frei machen, bevor Sie springen.
- Tragen Sie bequeme, sportgerechte Kleidung, die uneingeschränkte Bewegung erlaubt.

- Kein Schmuck, keine Kordeln, Schlaufen, Schnallen oder ähnliche Gegenstände tragen – diese können sich verfangen und Verletzungen verursachen.
- Schuhe vor der Nutzung ausziehen – sie beschädigen die Sprungmatte und erhöhen das Verletzungsrisiko.
- Betreten oder Verlassen Sie das Trampolin ausschließlich über den vorgesehenen Eingang – niemals abspringen.
- Öffnen Sie die Netzöffnung mit beiden Händen und steigen Sie mit einem Fuß nach dem anderen ein.
- Sprungfedern sind keine Haltegriffe – bitte nicht daran festhalten.
- Unter dem Trampolin dürfen sich weder Kinder noch Haustiere, Spielzeuge oder Gegenstände befinden.
- Der Bereich um das Trampolin muss frei von Hindernissen sein.
- Lernen Sie zunächst einfache Sprünge und Körperhaltungen, bevor Sie fortgeschrittene Techniken versuchen.
- Bringen Sie Kindern zuerst die sichere Nutzung des Trampolins bei.
- Für weiterführende Informationen wenden Sie sich bitte an Vuly oder einen autorisierten Fachhändler.
- Halten Sie die Umzäunung gemäß den Anweisungen des Herstellers fest am Trampolin befestigt. Eine unsachgemäße Montage und die fehlende Gewährleistung einer dichten, sicheren Abgrenzung zwischen Trampolin und Umzäunung können zu schweren Verletzungen, Strangulation oder zum Tod führen.
- Hängen Sie sich nicht an die Barriere, treten Sie nicht dagegen, zerschneiden Sie sie nicht und klettern Sie nicht daran hoch.
- Befestigen Sie keine Gegenstände an der Barriere, die kein vom Hersteller genehmigtes Zubehör oder Teil des Umzäunungssystems sind.
- Betreten und verlassen Sie die Umzäunung nur durch die dafür vorgesehene Tür oder Öffnung in der Barriere.

- Für fortgeschrittene Sprungtechniken wird der Besuch eines Turn—oder Trampolinvereins empfohlen.

Für fortgeschrittene Fähigkeiten wenden Sie sich an einen geeigneten Turn—oder Trampolinverein.

3.3. Grundlegende Trampolin-Anweisungen

Dieses Trampolin ist ein Freizeitgerät für den Heimgebrauch, kein Wettkampf- oder Gymnastiktrampolin. Befolgen Sie daher folgende Grundregeln:

- Keine Saltos oder Überschläge! Ein Sturz auf Kopf oder Nacken kann zu schweren Verletzungen, Lähmung oder sogar Tod führen.
- Verwenden Sie das Trampolin nicht bei Nässe – die Sprungmatte wird rutschig.
- Springen Sie nicht absichtlich gegen oder über das Sicherheitsnetz. Bleiben Sie stets in der Mitte der Sprungmatte.
- Das Trampolin niemals unter Alkohol- oder Drogeneinfluss benutzen – Koordination und Risikowahrnehmung werden stark beeinträchtigt.
- Das Trampolin darf nicht als Absprungfläche für andere Objekte verwendet werden.
- Halten Sie den Blick zum Rand der Sprungfläche gerichtet – das hilft bei der Kontrolle der Sprünge.
- Beenden Sie jeden Sprung durch leicht gebeugte Knie beim Aufkommen – diese Technik muss vor anderen Bewegungen sicher beherrscht werden.
- Vermeiden Sie zu hohe Sprünge. Springen Sie nur so hoch, wie Sie sicher und mittig landen können.
- Nicht direkt nach dem Essen springen.
- Springen Sie nicht, wenn Sie müde sind. Halten Sie die Sprungzeiten kurz.
- Die Sprungdauer sollte begrenzt werden – vermeiden Sie zu lange, ununterbrochene Nutzung.



4.0. Vormontage

4.1. Standortplanung

- Das Trampolin darf nicht in den Boden eingelassen werden.
- Stellen Sie es auf einen flachen, ebenen Untergrund mit stoßdämpfenden Eigenschaften – z. B. Rasen.
- Achten Sie darauf, dass das Trampolin ausreichend stabil steht – ggf. mit Sandsäcken oder Heringen sichern.
- Überkopffreiheit: mindestens 8 m über der Sprungfläche – meiden Sie Stromleitungen, Äste oder Wäscheleinen.
- Rundum sollten mindestens 2 m Freiraum eingehalten werden – kein Beton, Asphalt, Ziegel oder andere harte Oberflächen.
- Stellen Sie das Trampolin nicht auf andere Objekte und lagern Sie nichts unter der Sprungmatte.
- Halten Sie den gesamten Bereich um und unter dem Trampolin frei von Hindernissen – kein Aufbau nahe an Wänden, Zäunen oder Spielplätzen.
- Wählen Sie einen gut beleuchteten Ort für den Aufbau.

4.2. Vorbereitungen für die Montage

- Suchen Sie einen ebenmäßigen Standort ohne Hindernisse.
- Überprüfen Sie, ob alle Bauteile vorhanden sind.

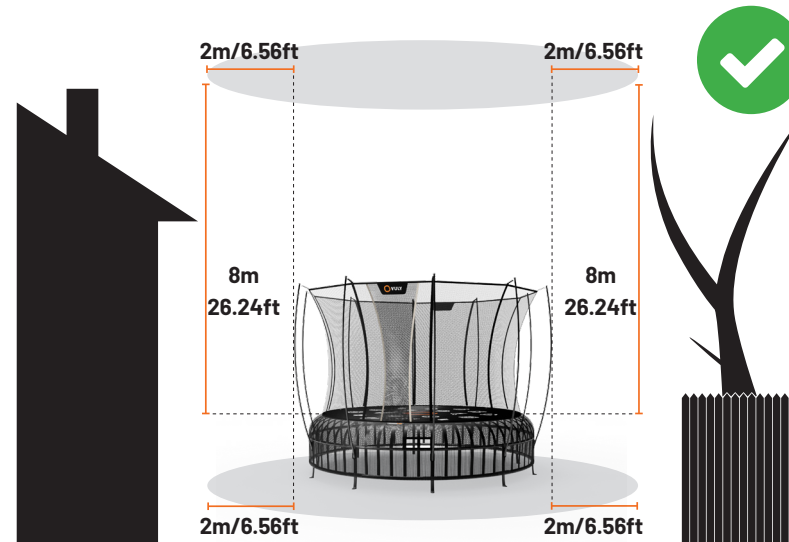
Denken Sie daran:

Tragen Sie beim Aufbau stets die Vuly Play-Handschuhe.

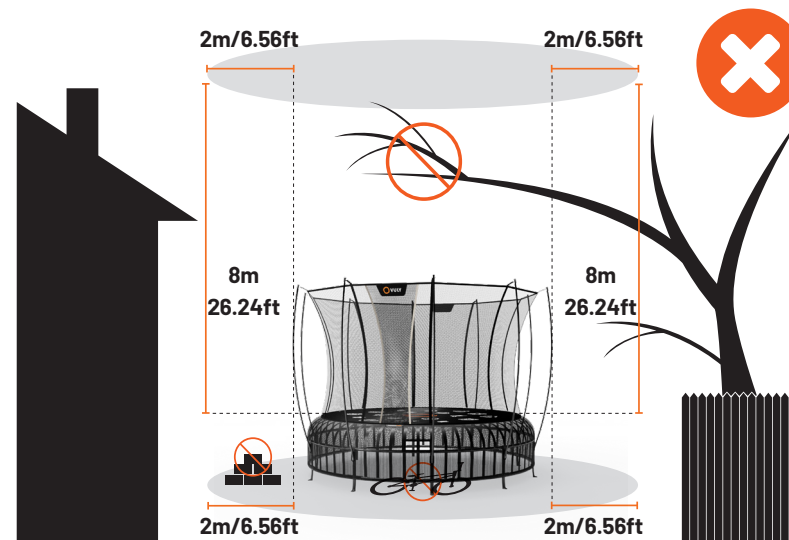


Benötigte Aufbauzeit: ca. 1 Stunde.

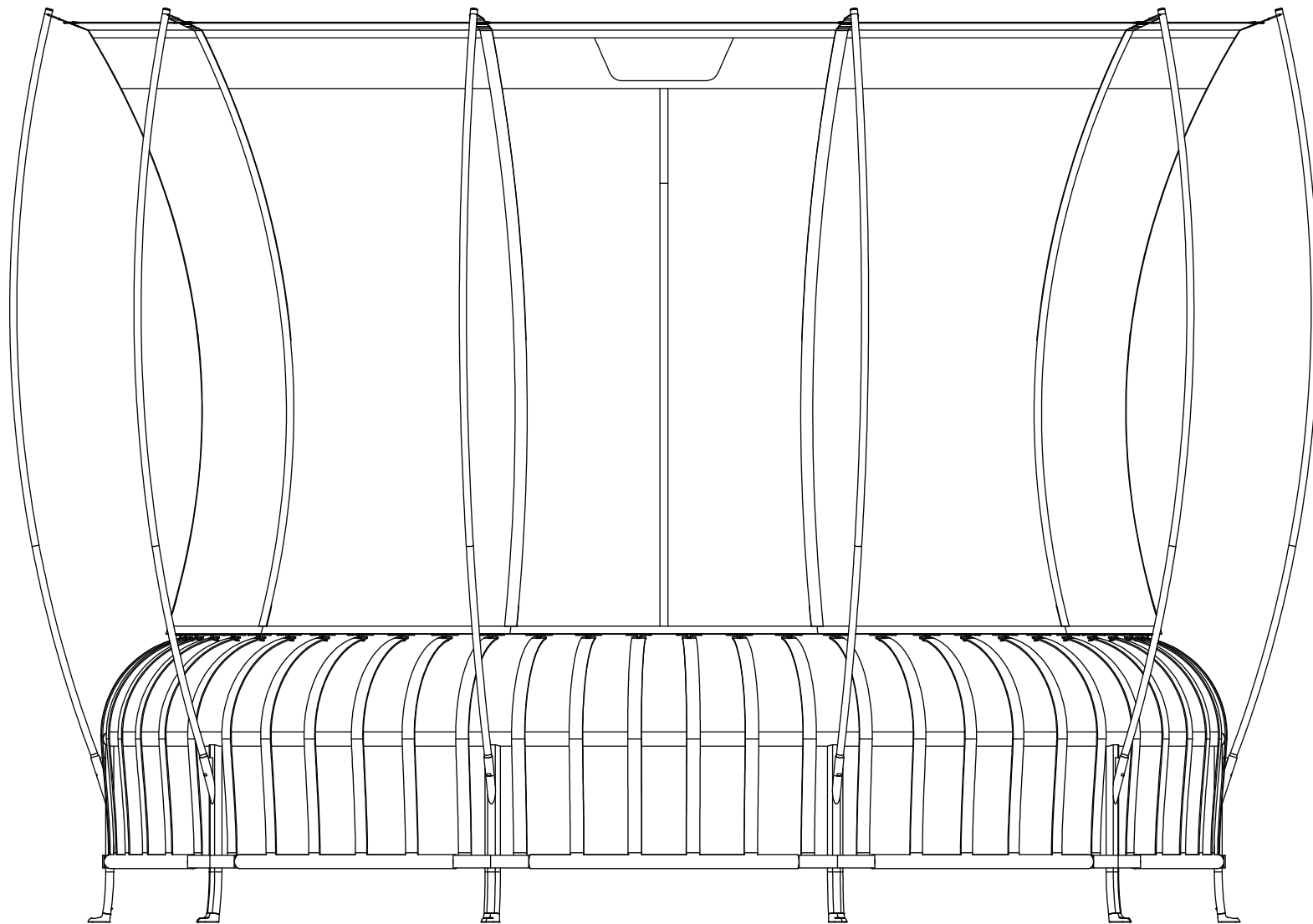
Anzahl der Personen für den Aufbau: 2



Korrekte Installation



Falsche Installation



2.8 m (9.4ft)

4.1 m (13.5ft)



1.0. Juridische Disclaimer & Verkoopvoorwaarden

De volgende verkoopvoorwaarden zijn van toepassing op en bindend voor de kopers van elk Vuly Play-product.

Dit product wordt uitsluitend geproduceerd en gedistribueerd door de volgende rechtspersonen in hun respectieve regio's:

- **Australië:** Vuly Play Group ABN 48 655 129 623
Adres: 95 Ingleston Road, Wakerley, QLD 4154
- **Verenigde Staten:** Vuly USA Operations Corp.
EIN 99-2968094
Adres: 1087 W. River St., Ste 310, Boise, ID 83702
- **Canada:** Vuly Canada Operations Corp. C1025301
Adres: 1055 W. Georgia St Unit 1500,
Vancouver BC V6E 4N7
- **Verenigd Koninkrijk:** United Kingdom Play Ltd
16492883
Adres: Windsor House Station Court, Station Road,
Great Shelford, Cambridge, VK, CB22 5NE
- **Europa:** Europe Play Operations B.V.
Adres: Hofplein 20, Rotterdam, 3032 AC, Nederland

Elke entiteit is uitsluitend verantwoordelijk voor verkoop, ondersteuning, productveiligheid, garantie en naleving in zijn land.

Alle juridische claims, geschillen of aansprakelijkheidskwesties moeten uitsluitend worden behandeld in het land waar het product is gekocht en volgens de wetgeving van die jurisdictie.

KENNISGEVING AAN DE GEBRUIKER:

Lees deze overeenkomst zorgvuldig door voordat u dit product aanschaft of in elkaar zet.

Door deze verpakking te openen of met de montage te beginnen, bevestigt u dat u deze verkoopvoorwaarden heeft gelezen, begrepen en ermee akkoord gaat.

Indien u het product namens een andere persoon aanschaft, stemt u ermee in dat u optreedt als diens vertegenwoordiger.

BELANGRIJKE MEDEDELING – JURIDISCHE RECHTEN:

Uitsluiting van aansprakelijkheid – afstand van het recht om te procederen – aanvaarding van risico – deze voorwaarden hebben invloed op uw wettelijke rechten. Het gebruik van dit product brengt inherente risico's met zich mee. Gebruikers dragen de volledige verantwoordelijkheid voor veilig gebruik, correcte montage en onderhoud. Alle Vuly Play-producten zijn onderworpen aan de volgende voorwaarden:

1. Voor zover maximaal toegestaan door de wet zijn Vuly Play, zijn werknemers, bestuurders en vertegenwoordigers niet aansprakelijk tegenover de klant, diens afhankelijke personen of wettelijke vertegenwoordigers voor schade aan eigendommen, persoonlijk letsel of overlijden van de klant doordat het product niet met de nodige zorg en vaardigheid is vervaardigd of geleverd, het product niet redelijkerwijs geschikt is voor het beoogde doel, of wegens nalatigheid, contractbreuk, wetschending of schending van een wettelijke verplichting door Vuly Play.
2. Vuly Play, zijn werknemers, bestuurders en vertegenwoordigers zijn niet aansprakelijk tegenover de klant, diens afhankelijke personen of wettelijke vertegenwoordigers voor persoonlijk letsel of overlijden van de klant doordat het product niet:
 - a. Is geïnstalleerd in overeenstemming met de Vuly Play-handleiding. Het is de verantwoordelijkheid van de klant om alle dozen te controleren en te bevestigen dat alle onderdelen aanwezig en in correcte staat zijn vóór montage.
 - b. Met de nodige zorg en vaardigheid is geïnstalleerd, door de klant zelf of door een externe montageservice;

c. In dezelfde staat verkeert als toen het product werd geleverd, vanwege slijtage – waaronder, maar niet beperkt tot, weersschade, veroudering van de stof, UV-verwerking of roest.

3. De klant erkent dat het gebruik van het product gevaarlijk kan zijn en inherente risico's en gevaren met zich meebrengt. Als gevolg daarvan kan persoonlijk letsel of overlijden optreden. De klant aanvaardt en accepteert al deze risico's en doet hierbij – voor zover wettelijk toegestaan – afstand van het recht op rechtsvordering tegen Vuly Play en ontslaat Vuly Play volledig van aansprakelijkheid voor verlies, schade, persoonlijk letsel of overlijden die op enigerlei wijze wordt veroorzaakt door of verband houdt met de deelname van de klant aan dergelijke activiteiten.

Dit omvat – zonder beperking – aansprakelijkheid voor nalatige of onrechtmatige daden of nalatigheden, schending van verplichtingen, contractbreuk of schending van wettelijke verplichtingen door Vuly Play, zijn functionarissen, bestuurders, werknemers of vertegenwoordigers.

Vuly Play Group

AU: 1300 667 514

US: 1-833-333-8888

CAD:(866) 866-8858

UK: 03333 660062

FR: 0801 84 16 77

www.vulyplay.com



WAARSCHUWING!

Het gebruik van dit product brengt een aanzienlijk risico met zich mee, waaronder ernstig letsel, blijvende invaliditeit of overlijden. Alle deelnemers gebruiken het product volledig op eigen risico.

WAARSCHUWING!

Volg de onderstaande regels om het risico op letsel te beperken:

- Slechts één gebruiker tegelijk – gevaar voor botsingen.
- Maximaal gebruikersgewicht: 150kg / 330lbs
- Gebruik het product alleen buitenshuis en voor huishoudelijk gebruik.
- Altijd toezicht door een volwassene vereist. Voor gebruikers van 6 jaar en ouder.

WAARSCHUWING!

Harde wind en extreem weer kunnen ertoe leiden dat producten omhoog worden getild en verplaatst. Bevestig uw product goed om gevaar te voorkomen.

WAARSCHUWING!

Wees voorzichtig bij het betreden en verlaten van de zelfsluitende ingang van de trampoline.



**TOEZICHT DOOR EEN VOLWASSE NE IS
ALTIJD VEREIST TIJDENS HET GEBRUIK
VAN HET APPARAAT.
VULY PLAY HECHT VEEL WAARDE AAN
VEILIGHEID.**

2.0. Onderhoud en Verzorging

Onjuist onderhoud of gebrek aan verzorging kan ertoe leiden dat uw trampoline eerder verslechtert dan verwacht.

Volg deze onderhoudsinstructies om ervoor te zorgen dat uw trampoline zo lang mogelijk meegaat.

Consumenten mogen de originele trampoline niet wijzigen, tenzij dit gebeurt volgens de instructies van Vuly Play.

2.1. Algemeen Onderhoud

- Bewaar deze handleiding.
- Controleer vóór en na elk gebruik. Het is essentieel dat u versleten, defecte of ontbrekende onderdelen onmiddellijk vervangt, en uitsluitend via Vuly Play.
 - Zie 2.6 Inspectielijst.
- Zorg ervoor dat het veiligheidsnet altijd correct is bevestigd en in goede staat verkeert.
 - Vervang het veiligheidsnet elk jaar.
- Houd voorwerpen weg die de textielonderdelen kunnen beschadigen.
- Zorg ervoor dat u bewegende stalen onderdelen goed gesmeerd houdt.
- Controleer dat alle met veren bevestigde verbindingen intact blijven en niet los kunnen raken tijdens gebruik.
- Gebruik alleen accessoires die door Vuly Play zijn gemaakt.
- Gebruik alleen onderdelen die door Vuly Play worden aanbevolen.

2.2. Roest en corrosie

- Let op gebieden die bijzonder gevoelig zijn voor roest:
 - Plaatsen waar water gemakkelijk blijft staan.

– Holle stalen delen (die er aan de buitenkant in goede staat kunnen uitzien, maar van binnen roest kunnen verbergen).

– Delen waar stalen componenten met elkaar verbonden zijn.

- Controleer de binnenkant van alle framebuizen en netpalen elke 6 maanden – en ook na regen – en verwijder eventueel aanwezig water van de binnenoppervlakken.
- Controleer de verbindingen van framebuizen en netpalen op roest.
- Gebruik universeel smeervet op stalen verbindingen.
- Vermijd overmatig reinigen van stalen onderdelen; dit kan de werking van onze beschermende coatings verminderen.

2.3. Textielslijtage

- Reinig uw springmat uitsluitend met een zachte spons om voortijdige slijtage van het textiel te voorkomen.
- Vermijd het gebruik van agressieve zeep of schoonmaakmiddelen; deze kunnen het textiel beschadigen.
- Droog met een absorberende doek al het water dat achterblijft na regen, schoonmaak of gebruik van de Vuly Play Mister-accessoire. De springmat kan verkleuren of vlekken vormen als ze in de zon opdroogt.
- Controleer de binnenkant van het veiligheidskussens (indien van toepassing) regelmatig en verwijder eventueel water via de drainagegaten.
- Verwijder textielonderdelen en bewaar ze – in de originele verpakking – op een koele, droge en donkere plaats wanneer de trampoline langer dan 1 maand niet gebruikt zal worden. Langdurige blootstelling aan UV-zonlicht kan de levensduur van het veiligheidsnet verkorten.



2.4. Weer en onderhoud

Onderdelen van deze trampoline zijn in verschillende mate gevoelig voor slijtage door gebruik en omgevingsinvloeden – zoals zonlicht, regen, zout en hitte.

Wanneer uw trampoline gedurende langere tijd niet wordt gebruikt, demonteer deze dan, plaats hem terug in de originele verpakking en bewaar hem op een droge plaats.



REGEN: Verwijder na regen alle gevallen vuil van uw trampoline en veeg achtergebleven water weg met een droge doek. Vocht dat op de trampoline achterblijft, kan bijdragen aan corrosie van stalen onderdelen en textiel verzwakken.



Wind: Koppel het veiligheidsnet los van de netpalen en bedek het veiligheidsnet en de springmat met een stormhoes.



KOU: Demonteer uw trampoline en bewaar de springmat en het veiligheidsnet binnenshuis.



HITTE: Plaats uw trampoline op een plek waar hij tijdens de felste uren van de dag zoveel mogelijk schaduw krijgt. Bedek hem wanneer hij niet wordt gebruikt om UV-schade te beperken.

In sommige landen kan tijdens de winterperiode de sneeuwlast en de zeer lage temperatuur de trampoline beschadigen. Het wordt aanbevolen de sneeuw te verwijderen en de mat en de omheining binnenshuis op te bergen; controleer daarbij of de mat, de veiligheidskussens en de omheining vrij zijn van defecten.

2.5. Verplaatsen

- Verplaats de trampoline met minimaal 3 volwassenen om ervoor te zorgen dat het tillen binnen de normen voor zwaar tillen blijft.
- Verplaats de trampoline over korte afstanden met behulp van het officiële Vuly Play-wielenaccessoire dat bij uw trampolinemodel hoort. Verwijder dit na gebruik.

- Sleep de trampoline niet. Onderdelen kunnen buigen of vervormen als deze niet voldoende wordt opgetild.
- Vermijd het kantelen van de trampoline of het plaatsen op de zijkant; het frame kan onder zijn eigen gewicht buigen.
- Demonteer de trampoline en plaats deze terug in de originele verpakking om hem over langere afstanden te vervoeren.

ONDERDELEN ZULLEN NA VERLOOP VAN TIJD VERSLIJTEN.

Opmerking: Zonlicht, regen, sneeuw en extreme temperaturen verminderen na verloop van tijd de sterkte van onderdelen.

2.6. Inspectielijst

Gebruik deze lijst om je trampoline vóór elk gebruik te controleren. Vervang versleten, defecte of ontbrekende onderdelen om mogelijke gevaren te voorkomen.

Als je veiligheidsproblemen ontdekt, gebruik de trampoline dan niet. Neem contact op met Vuly Play om onderdelen te bestellen en te vervangen.

Frame

- Buigingen, scheuren, vervormingen of breuken
- Roestplekken
- Scherpe uitsteeksels

Veren

- Ontbrekende, gebroken of beschadigde veren

Veiligheidskussens

- Ontbrekend, verkeerd geplaatst of niet stevig bevestigd
- Veiligheidskussens
- Gaten, rafels, scheuren of perforaties
- Verslijting of beschadiging van stiksels of stof

Springmat

- Gaten, rafels, scheuren of perforaties
- Verslijting of beschadiging van stiksels of stof
- Doorhangende stof
- Scherpe uitsteeksels in de ophangelementen
- Roestige, beschadigde of verbogen matconnector staa
- Gebroken kunststof matconnectoren

Veiligheidsnet

- Ontbrekend, verkeerd geplaatst of niet stevig bevestigd veiligheidsnet
- Gaten, rafels, scheuren of perforaties
- Verslijting of beschadiging van stiksels of stof van de omheining of connectoren
- Doorhangende stof
- Gebroken of beschadigd toegangssysteem

Netpalen

- Ontbrekend, verkeerd geplaatst of niet stevig bevestigd

Kunststof doppen

- Buigingen, scheuren, vervormingen of breuken
- Roestplekken
- Scherpe uitsteeksels



3.0. Gebruik en Gedrag

Onjuist gebruik van, of gedrag op, de trampoline kan leiden tot ernstig letsel. Volg deze gebruiks- en gedragsinstructies om veilig spelen te waarborgen.

3.1. Informatie over veilig gebruik

Maximaal gebruikersgewicht: 150kg / 330lbs

- Alleen voor huishoudelijk en buitengebruik.
- Geschikt voor leeftijden vanaf 6 jaar.

WAARSCHUWING!

- Slechts één gebruiker. Gevaar voor botsingen.
- Sluit altijd de opening van het net voordat u begint te springen.

3.2. Instructies voor veilig gebruik

Om het risico op letsel tijdens het gebruik van de trampoline te verminderen, moeten de volgende regels worden nageleefd:

- Zorg ervoor dat de trampoline door een volwassene is gemonteerd, in overeenstemming met de montage-instructies, en vóór het eerste gebruik is gecontroleerd.
- Spring niet bij harde wind of slecht weer en zorg dat de trampoline stevig vaststaat.
- Zorg te allen tijde voor actief en bekwaam toezicht door een volwassene wanneer kinderen de trampoline gebruiken. Kinderen kunnen vaak gevaren niet herkennen of risico's goed inschatten.
- Vermijd eten of drinken tijdens het springen.
- Zorg dat zakken leeg zijn en dat u geen voorwerpen in uw handen heeft voordat u springt.
- Draag comfortabele kleding die volledige en vrije beweging toelaat.
- Draag geen gespen of andere voorwerpen die

kunnen verstrikt raken in trampolineonderdelen en zo kan leiden tot verstikkingsgevaar, contactgevaar of schade aan de trampoline.

- Doe schoenen uit, omdat deze de springmat kunnen beschadigen en het risico op letsel kunnen vergroten.
- Klim op en van de trampoline. Spring of stuit er nooit vanaf. Open het veiligheidsnet met twee handen en zet telkens één voet naar binnen of naar buiten.
- Gebruik de veren niet als 'handgrepen' bij het op- of afstappen van de trampoline. Laat geen kinderen, huisdieren, speelgoed of ander speelgoed onder de trampoline toe. Zorg ervoor dat de gebieden rondom, onder en boven de trampoline vrij zijn.
- Leer eerst de fundamentele sprongen en lichaamshoudingen voordat u meer geavanceerde bewegingen probeert.
- Demonstreer veilig gebruik aan kinderen voordat u hen op de trampoline laat.
- Houd de afscherming stevig bevestigd aan de trampoline in overeenstemming met de instructies van de fabrikant. Het niet correct monteren en in stand houden van een dichte, veilige begrenzing tussen trampoline en afscherming kan leiden tot ernstig letsel, verwurging of de dood.
- Ga niet aan de barrière hangen, schop er niet tegenaan, snijd er niet in en klim er niet op.
- Bevestig niets aan de barrière dat geen door de fabrikant goedgekeurd accessoire of onderdeel van het afschermingssysteem is.
- Betreed en verlaat de afscherming alleen via de daarvoor bestemde deur of opening in de barrière.
- Neem contact op met Vuly of een erkende reseller voor meer informatie of extra instructiemateriaal.

Om meer geavanceerde trampolineskills te leren, neem contact op met een geschikte gymnastiek- of trampolineclub.

3.3. Basisinstructies trampolinespringen

Deze trampoline is een huishoudelijk model, geen gymnastiektrampoline. U haalt het meeste en veiligste gebruik uit dit product door de volgende basisprincipes te volgen:

- Probeer geen salto's op de trampoline en sta ze ook niet toe. Landen op het hoofd of nek tijdens een salto kan ernstig letsel, verlamming of zelfs de dood veroorzaken.
- Gebruik de trampoline niet wanneer deze nat is. De springmat wordt dan glad, waardoor landen minder veilig is.
- Sta gebruikers niet toe om opzettelijk tegen of over het veiligheidsnet te springen. Dit kan de trampoline uit balans brengen en herhaalde impact kan de omheining beschadigen. Richt uw ogen op de rand van de trampoline. Dit helpt uw sprong te beheersen.
- Gebruik de trampoline niet onder invloed van alcohol of drugs. Balans, waarneming en risico-inschatting worden hierdoor beïnvloed en dit kan leiden tot letsel.
- Gebruik de trampoline niet als springplank naar andere objecten. Gebruik de trampoline uitsluitend voor trampolinespringen.
- Richt de ogen op de rand van de trampoline. Dit helpt uw sprong te beheersen.
- Stop uw sprong door uw knieën te buigen wanneer uw voeten de springmat raken. Leer deze vaardigheid vóórdat u andere sprongen probeert.
- Vermijd te hoog springen. Blijf laag totdat u uw sprong onder controle heeft en herhaaldelijk in het midden van de trampoline kunt landen.
- Spring niet direct na een maaltijd.
- Spring niet als u moe bent. Houd de beurten kort.
- Beperk de duur van aaneengesloten gebruik.



4.0. Voor-montage

4.1. Plaatsingsplanning

- Graaf de trampoline niet in de grond. Plaats de trampoline op een vlakke, egale ondergrond met schokdempende eigenschappen – zoals gras.
- Zorg ervoor dat de trampoline voldoende stabiel staat om omvallen of wegwaaien te voorkomen. Zandzakken of haringen kunnen geschikte verankeringsmiddelen zijn.
- Houd minimaal 8 m vrije ruimte boven de trampoline, gemeten vanaf de hoogte van de springmat, om te voorkomen dat gebruikers in aanraking komen met obstakels boven het hoofd – zoals elektriciteitsdraden, boomtakken of waslijnen.
- Houd minimaal 2 m vrije ruimte aan alle zijden van de trampoline. Deze zone mag geen beton, asfalt, baksteen of andere harde oppervlakken bevatten, omdat deze ernstig letsel kunnen veroorzaken wanneer gebruikers van de trampoline vallen.
- Plaats de trampoline niet bovenop andere objecten en bewaar niets onder de springmat.
- Houd de omgeving rond en onder de trampoline vrij. Plaats de trampoline op afstand van muren, constructies, hekken en andere speelzones.
- Plaats de trampoline in een goed verlichte omgeving.

4.2. Voor-montage-instructies

- Zoek een vlakke ondergrond en zorg ervoor dat er zich geen obstakels in de buurt bevinden.
- Controleer voor de montage of u alle onderdelen heeft.

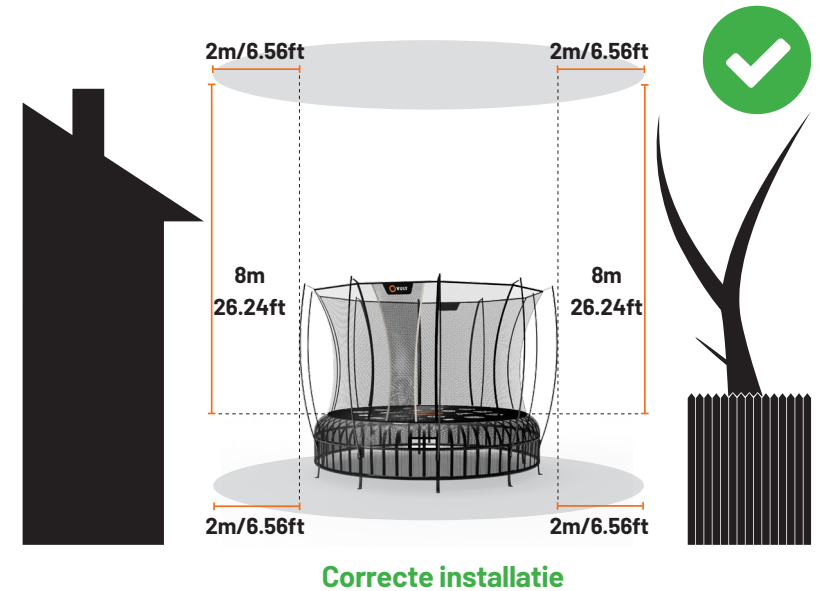
Let op:

Draag de Vuly Play-handschoenen altijd tijdens de montage van de trampoline.

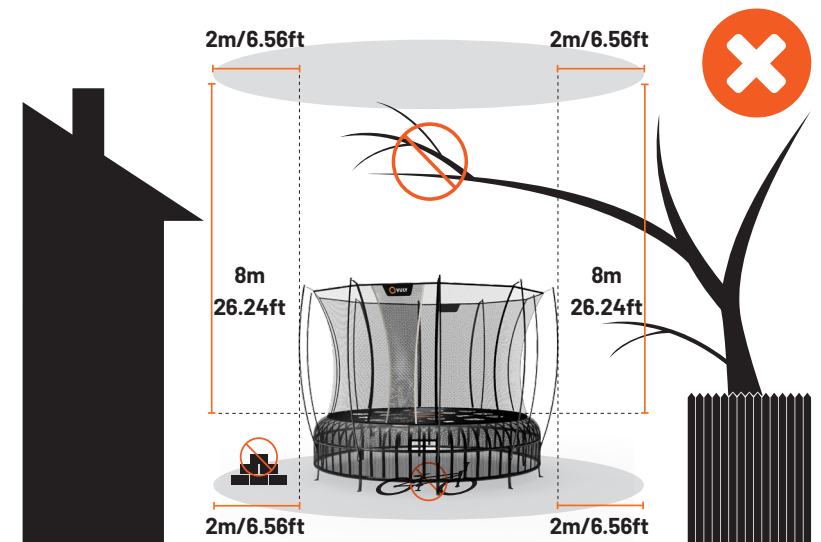


Tijd die nodig is voor montage: ca. 1 uur.

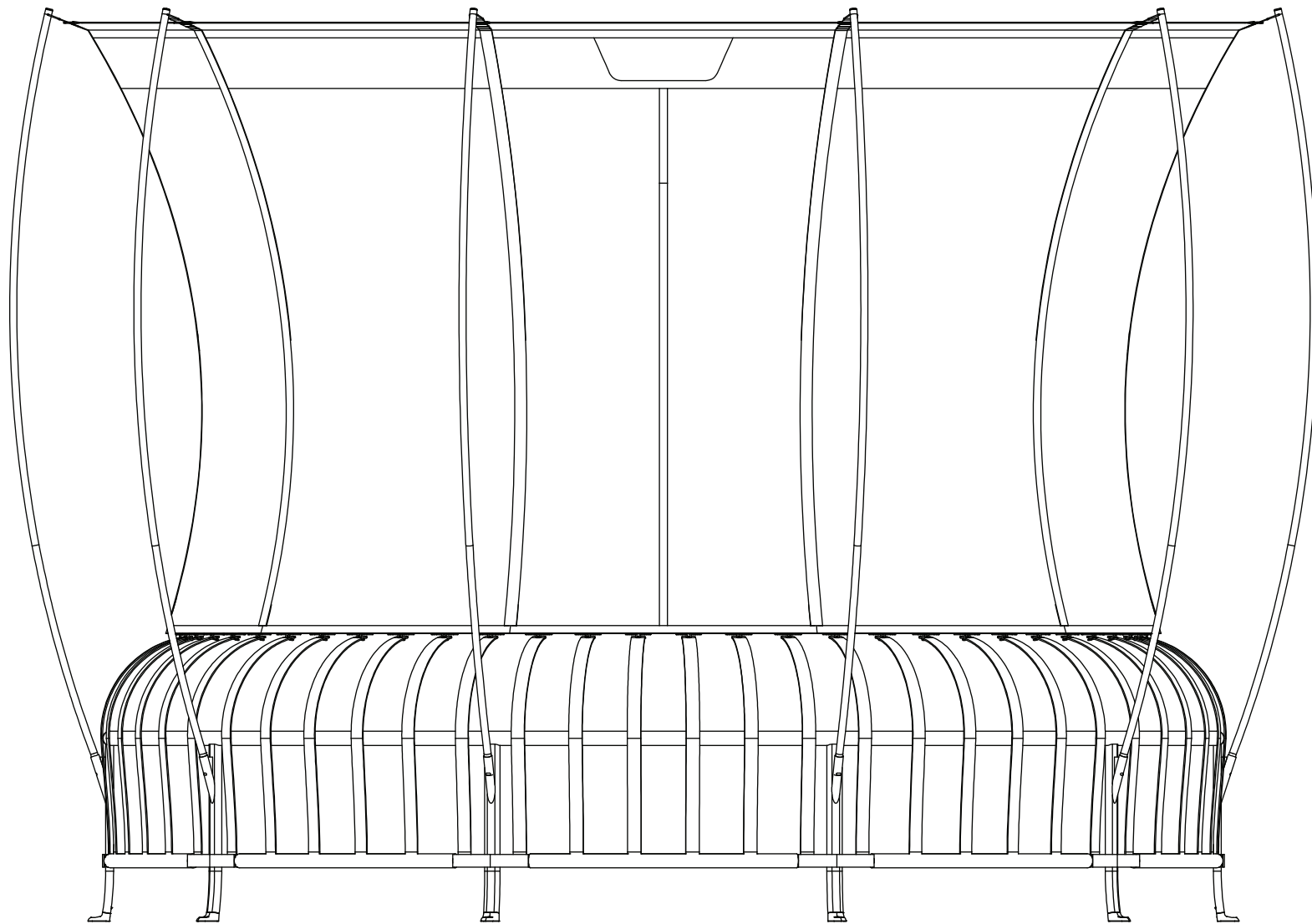
Aantal personen nodig voor montage: 2



Correcte installatie



Onjuiste installatie



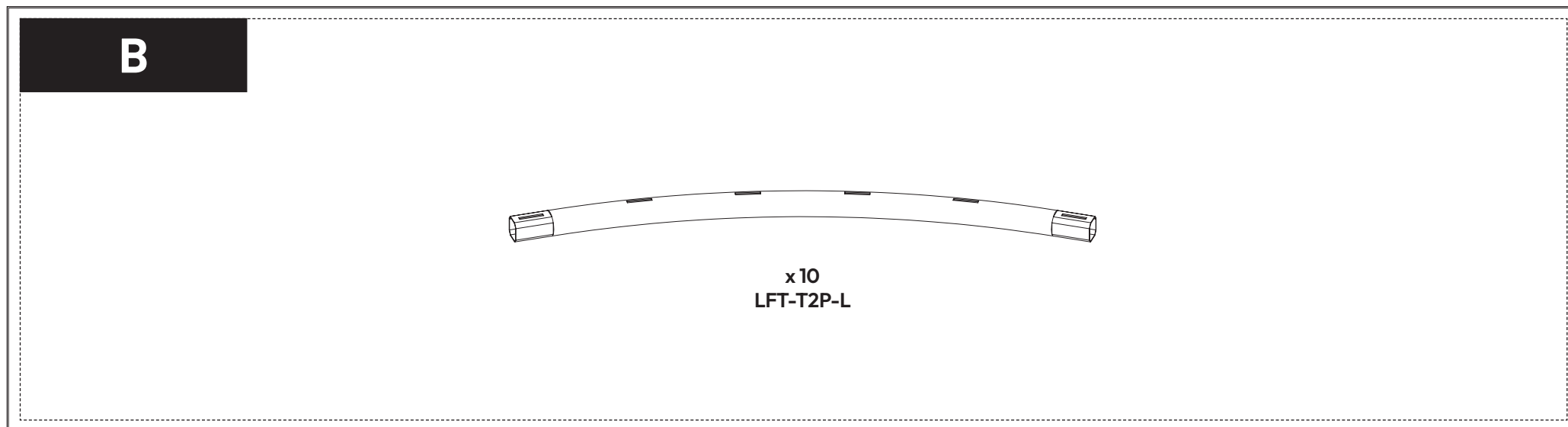
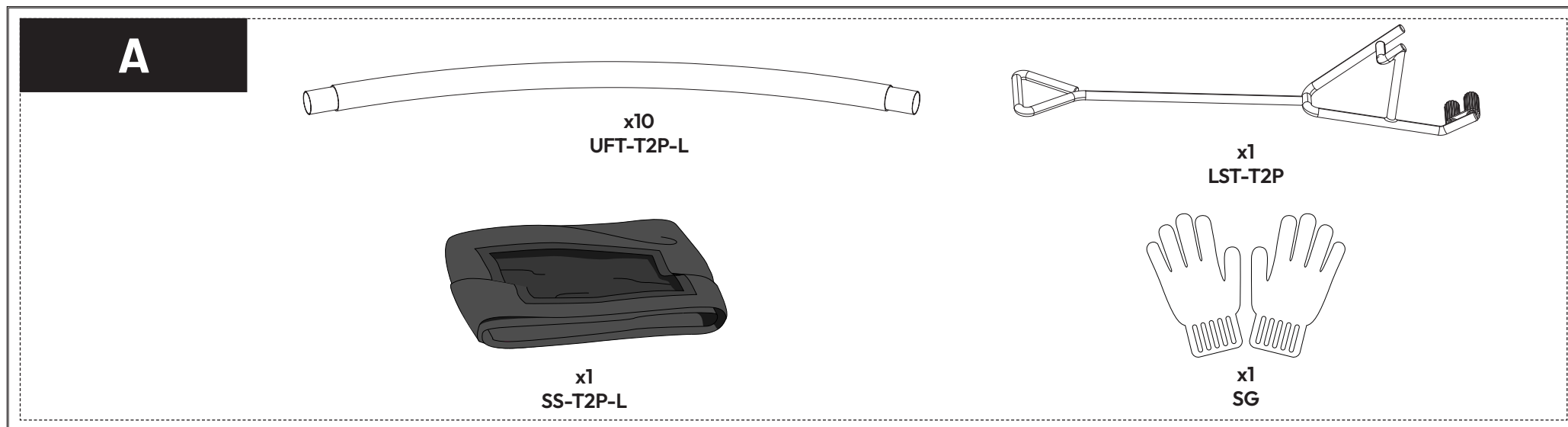
2.8 m (9.4ft)

4.1 m (13.5ft)



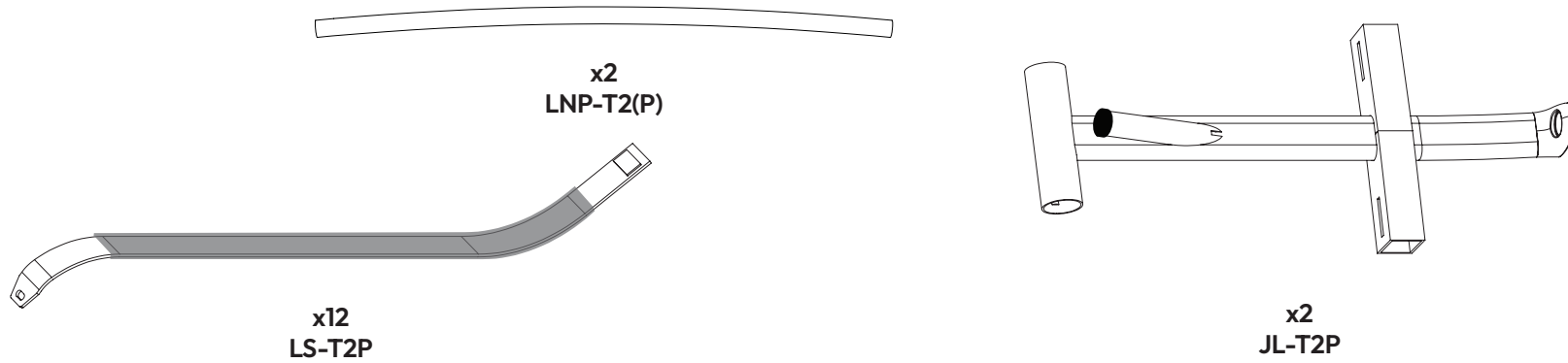
5.0. Installation / Installatie

5.1. Parts and Components / Pièces et Composants / Teile und Komponenten / Onderdelen en Componenten

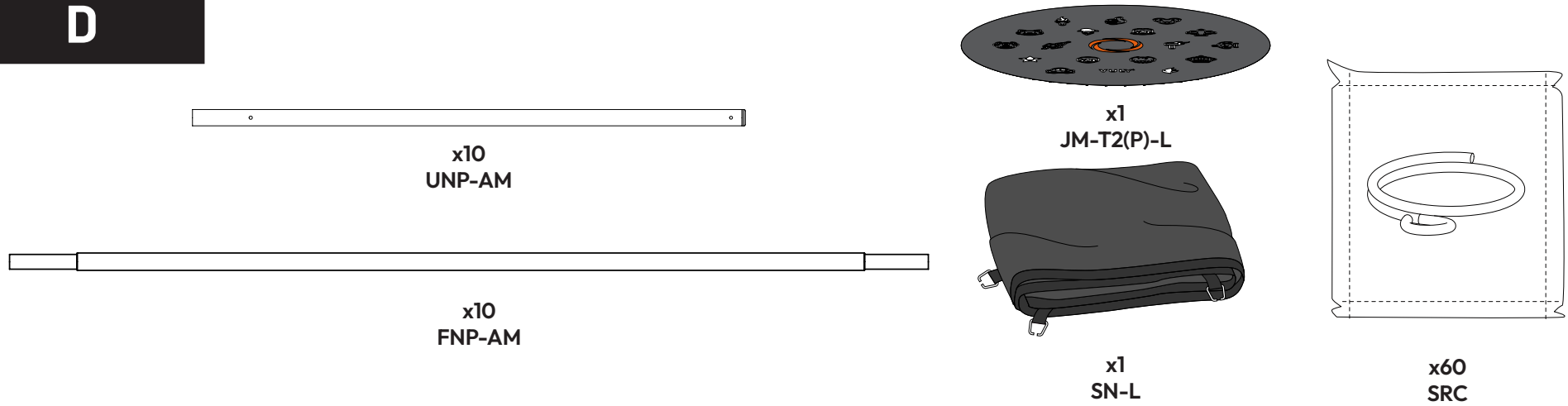


C

x5

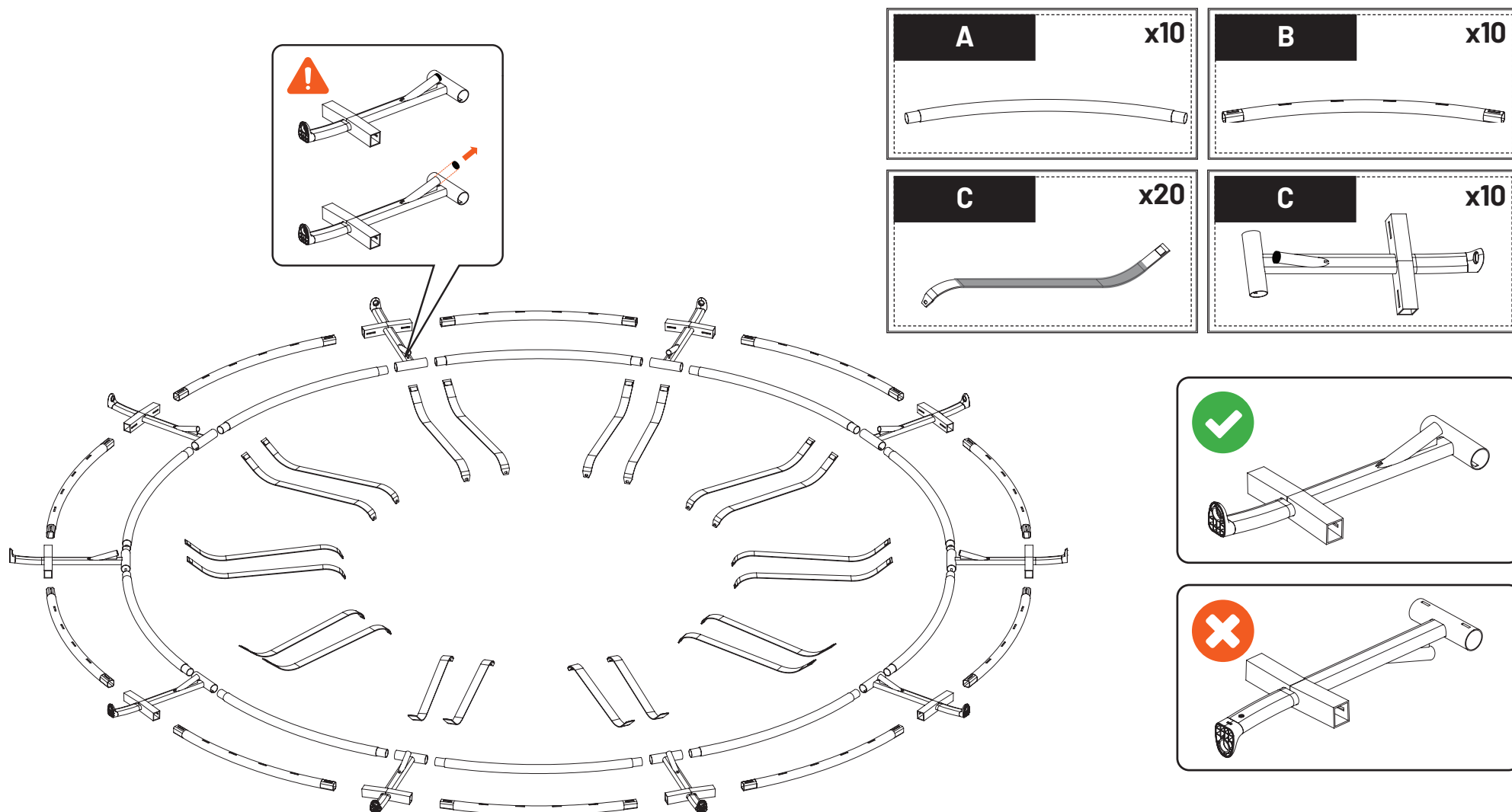


D



5.2 Assembly Instructions / Instructions / Montageanleitung / Montage-instructies

1



NOTE: Remove plastic safety caps from **Joiner Leg** and retain in case of future trampoline disassembly.

REMARQUE: Retirez les capuchons de sécurité en plastique des **Pieds de Jonction** et conservez-les pour un éventuel démontage du trampoline.

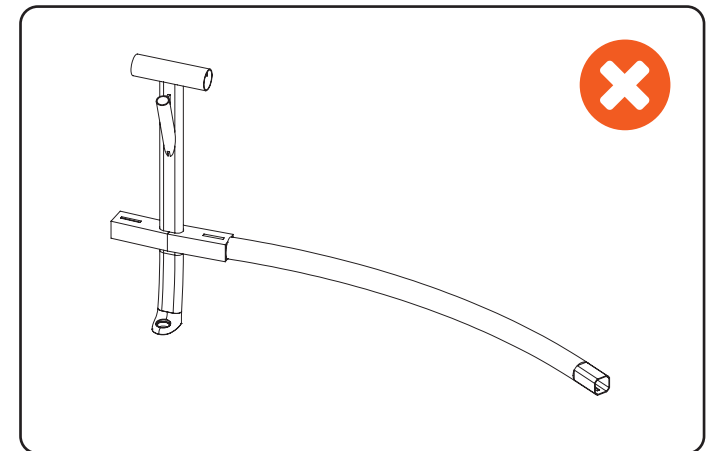
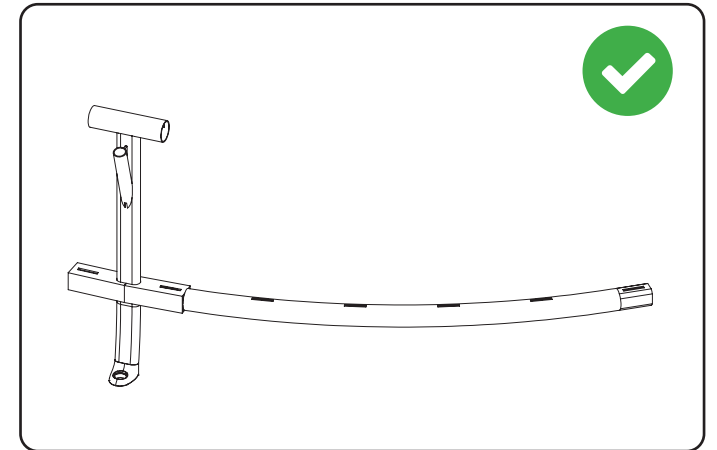
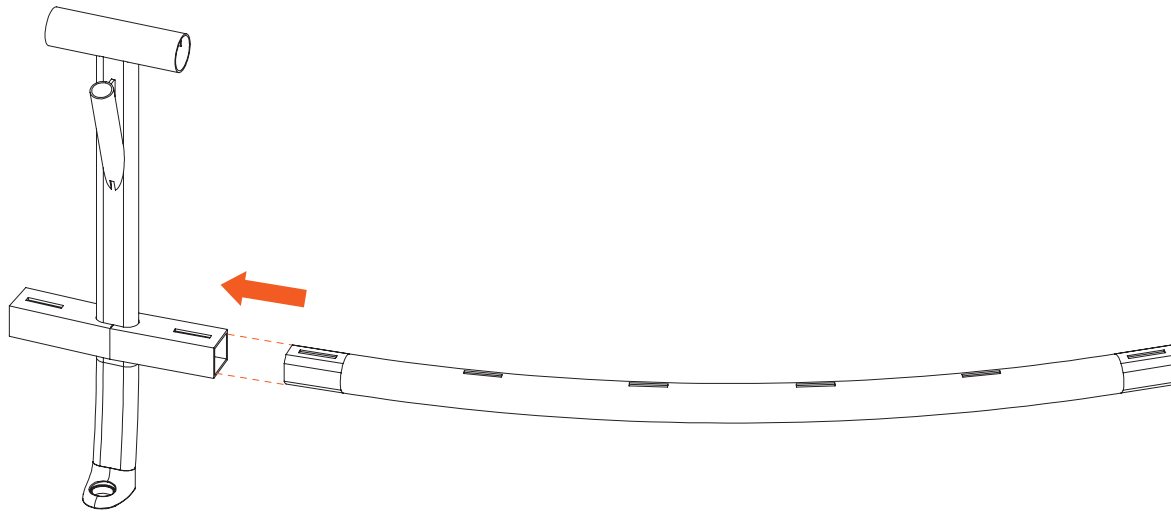
HINWEIS: Entfernen Sie die Kunststoff-Schutzkappen vom **Verbindungsbein** und bewahren Sie sie für eine mögliche spätere Demontage des Trampolins auf.

OPMERKING: Verwijder de plastic veiligheidsdoppen van de **verbindingspoot** en bewaar deze voor een eventuele toekomstige demontage van de trampoline.

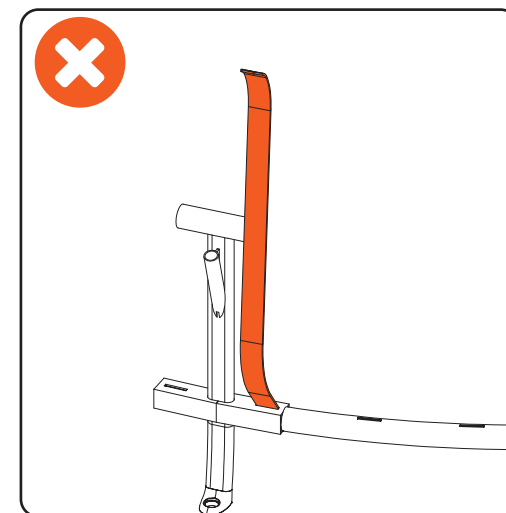
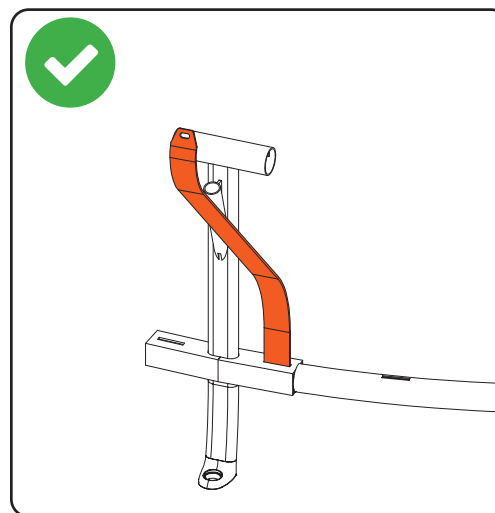
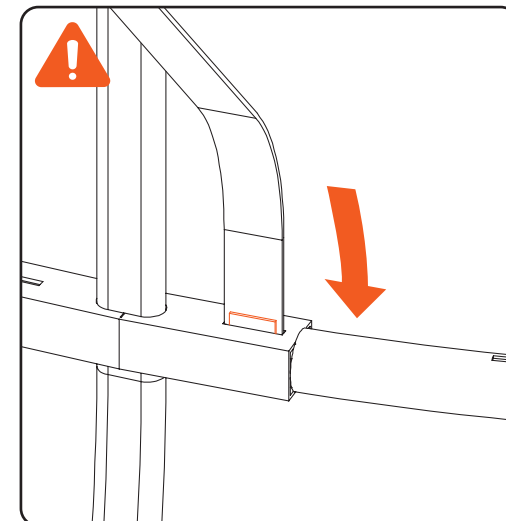
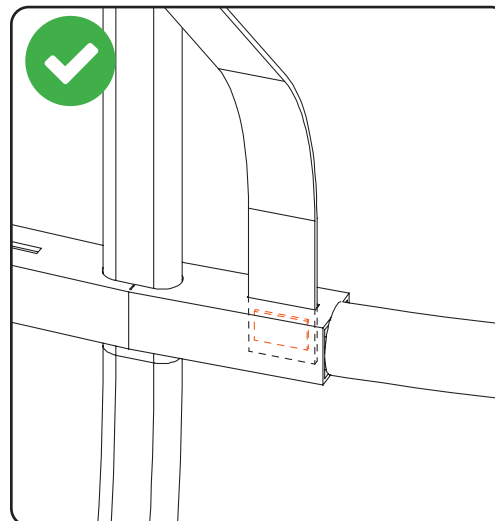
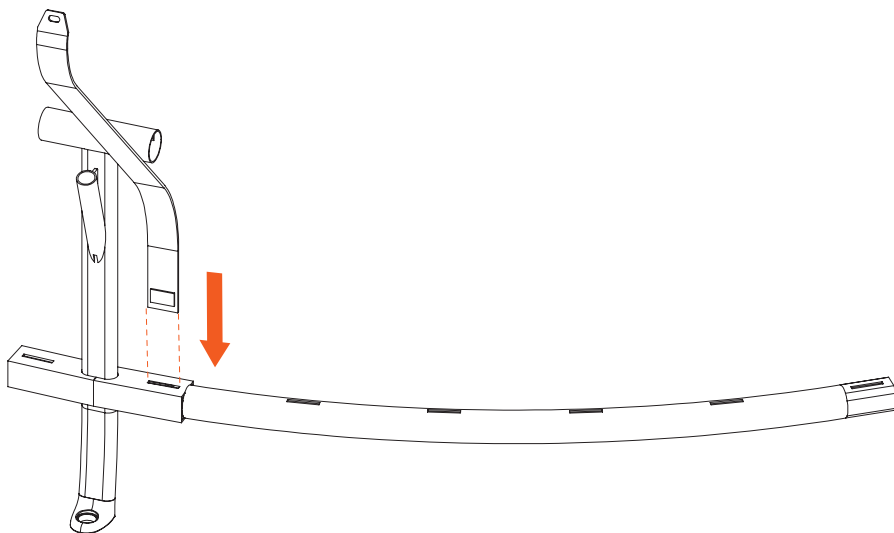


2

1



2



WARNING! Ensure tab on **Leaf Spring** is fully inserted into the frame and positioned in correct orientation.

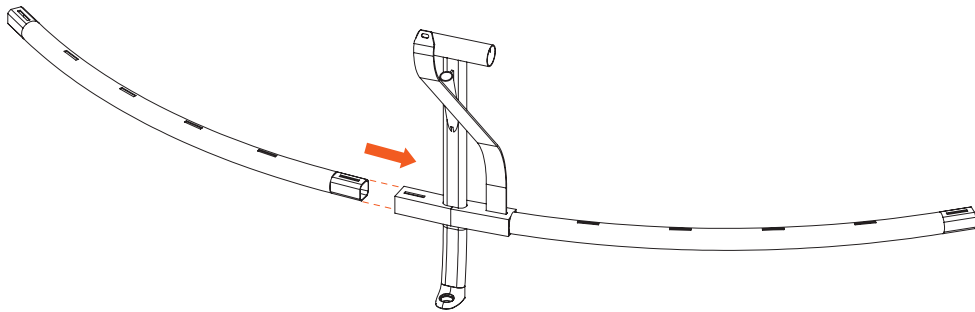
ATTENTION! Assurez-vous que la languette du **Ressort à Lame** est entièrement insérée dans le cadre et correctement orientée.

ACHTUNG! Stellen Sie sicher, dass die Lasche an der **Blattfeder** vollständig in den Rahmen eingesetzt und korrekt ausgerichtet ist.

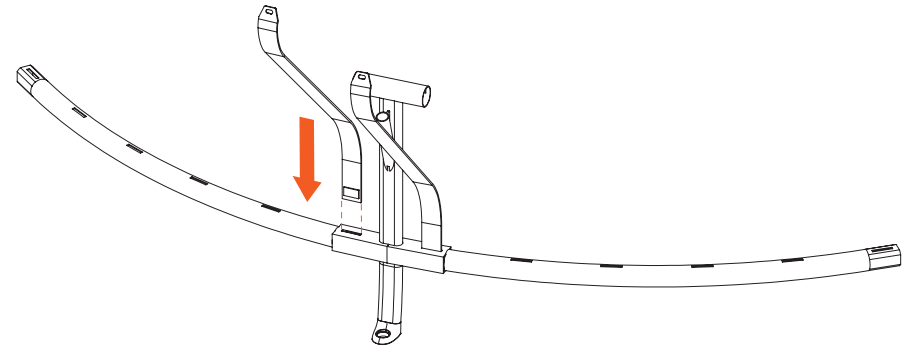
WAARSCHUWING! Zorg ervoor dat het lipje van de **bladveer** volledig in het frame is gestoken en in de juiste positie is geplaatst.

3

1



2



WARNING! Ensure tab on **Leaf Spring** is fully inserted into the frame and positioned in correct orientation.

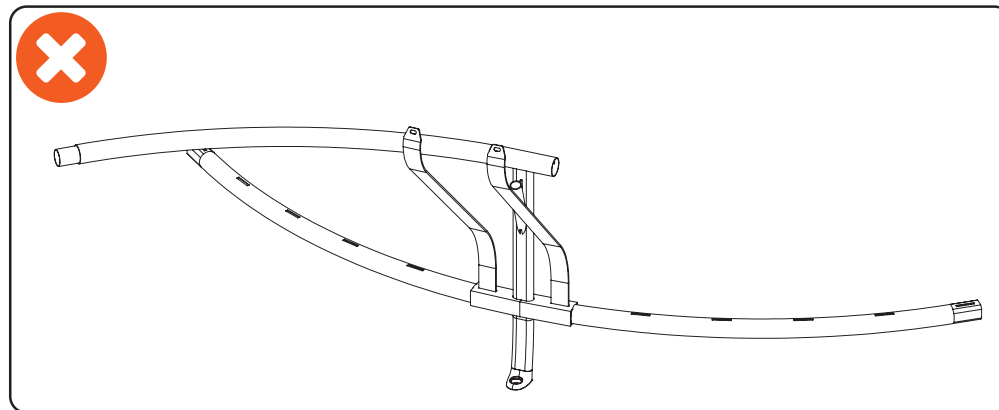
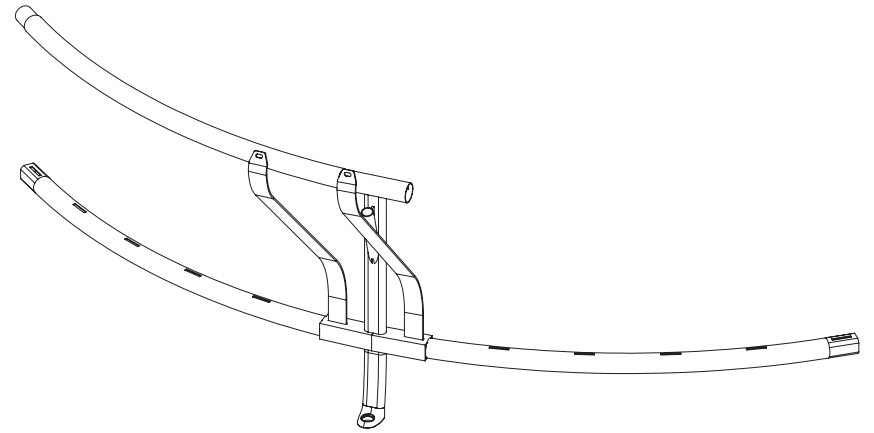
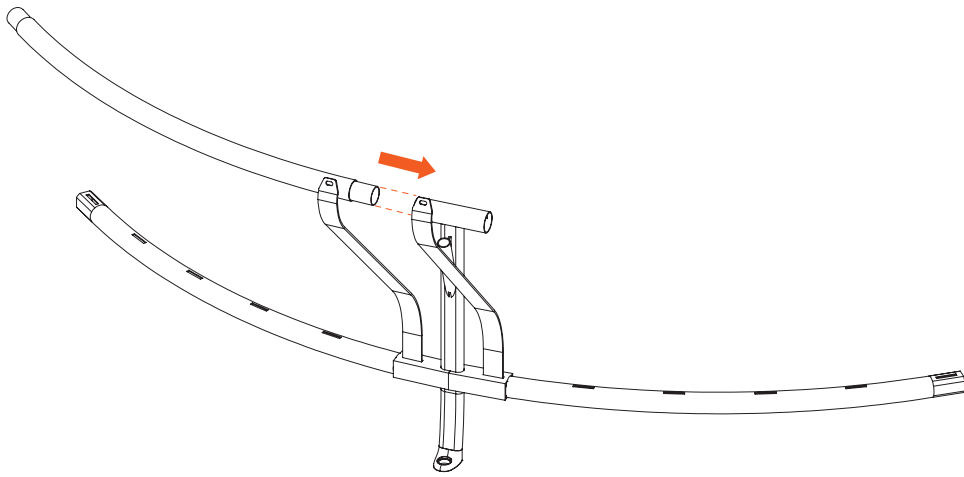
ATTENTION! Assurez-vous que la languette du **Ressort à Lame** est entièrement insérée dans le cadre et correctement orientée.

ACHTUNG! Stellen Sie sicher, dass die Lasche an der **Blattfeder** vollständig in den Rahmen eingesetzt und korrekt ausgerichtet ist.

WAARSCHUWING! Zorg ervoor dat het lipje van de **bladveer** volledig in het frame is gestoken en in de juiste positie is geplaatst.



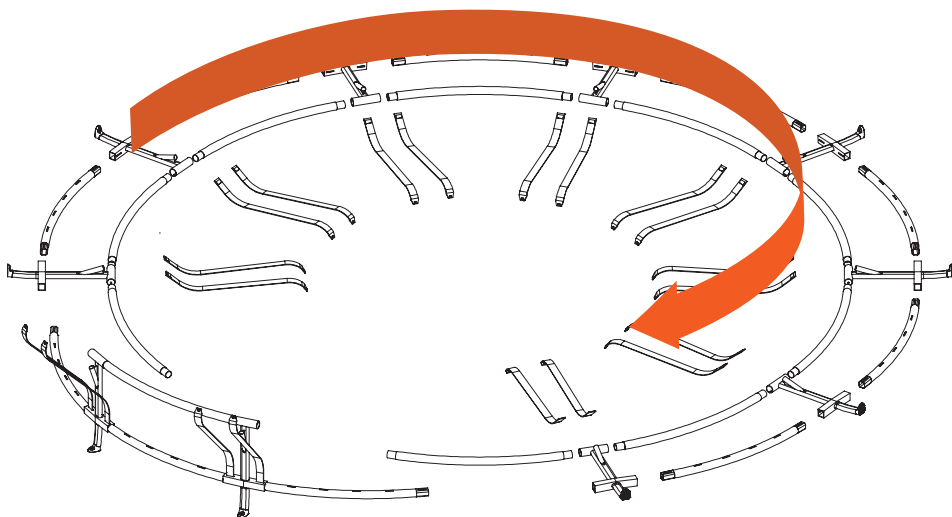
3



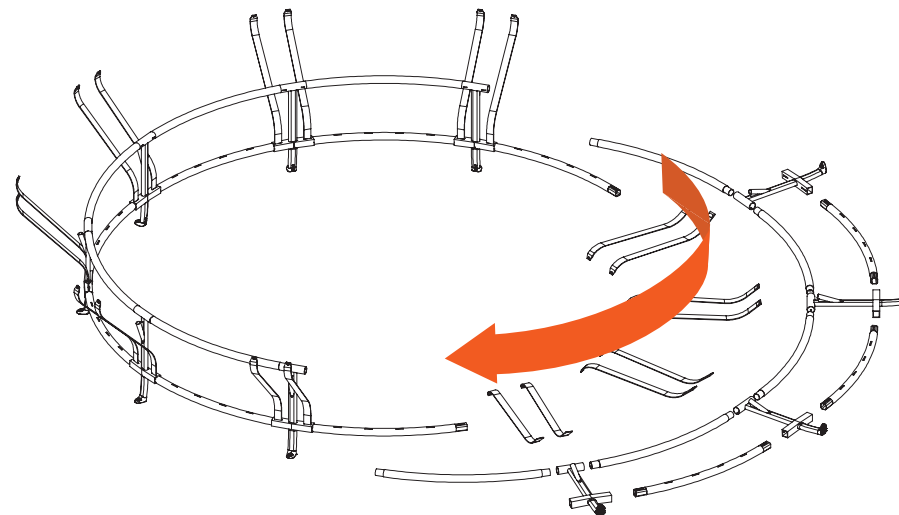
4



1



2



WARNING! Best results with two people.

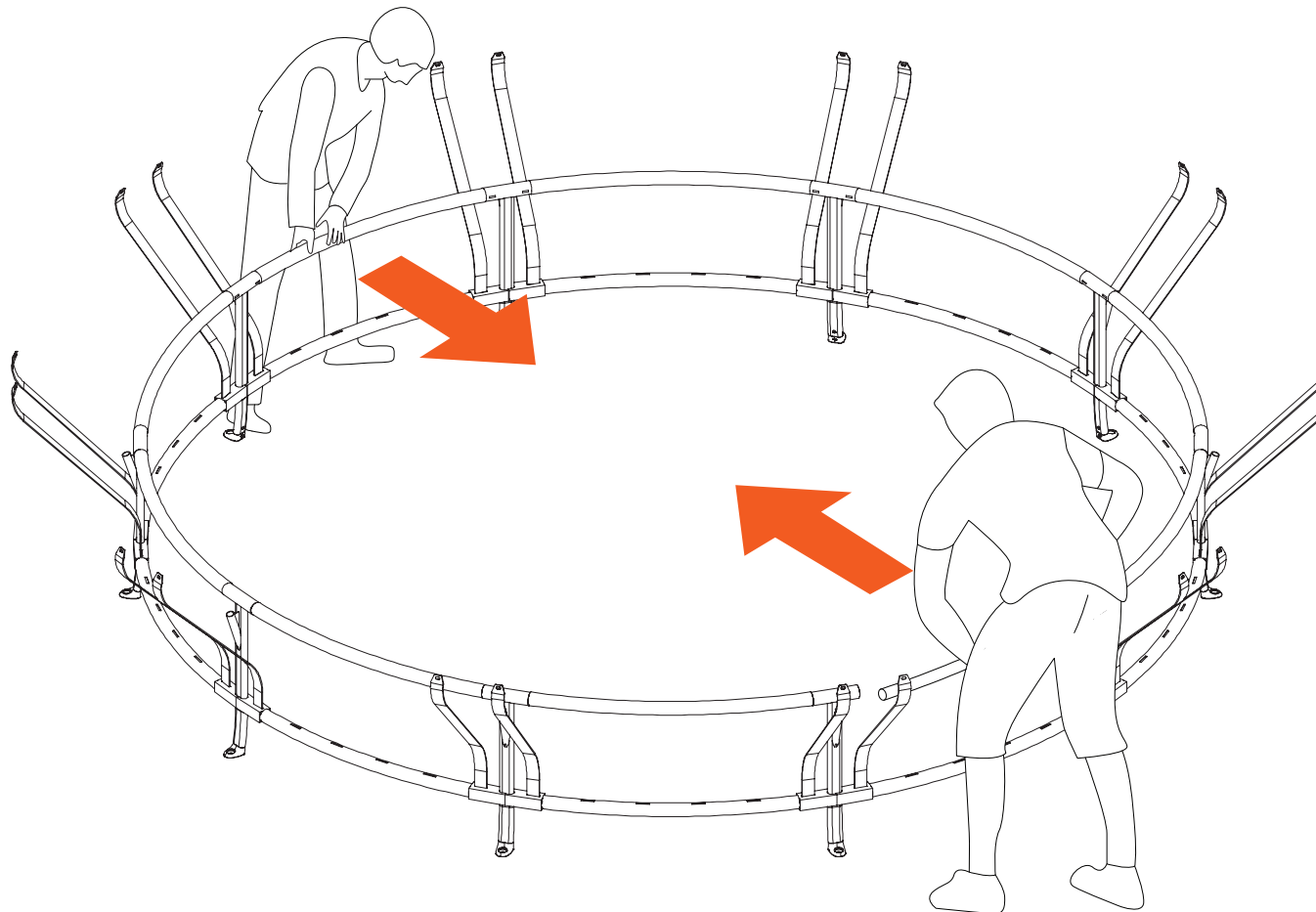
ATTENTION! Pour de meilleurs résultats, procédez à deux personnes.

ACHTUNG! Für die besten Ergebnisse, arbeiten sie zu zweit.

WAARSCHUWING! De beste resultaten worden bereikt met twee personen.



3



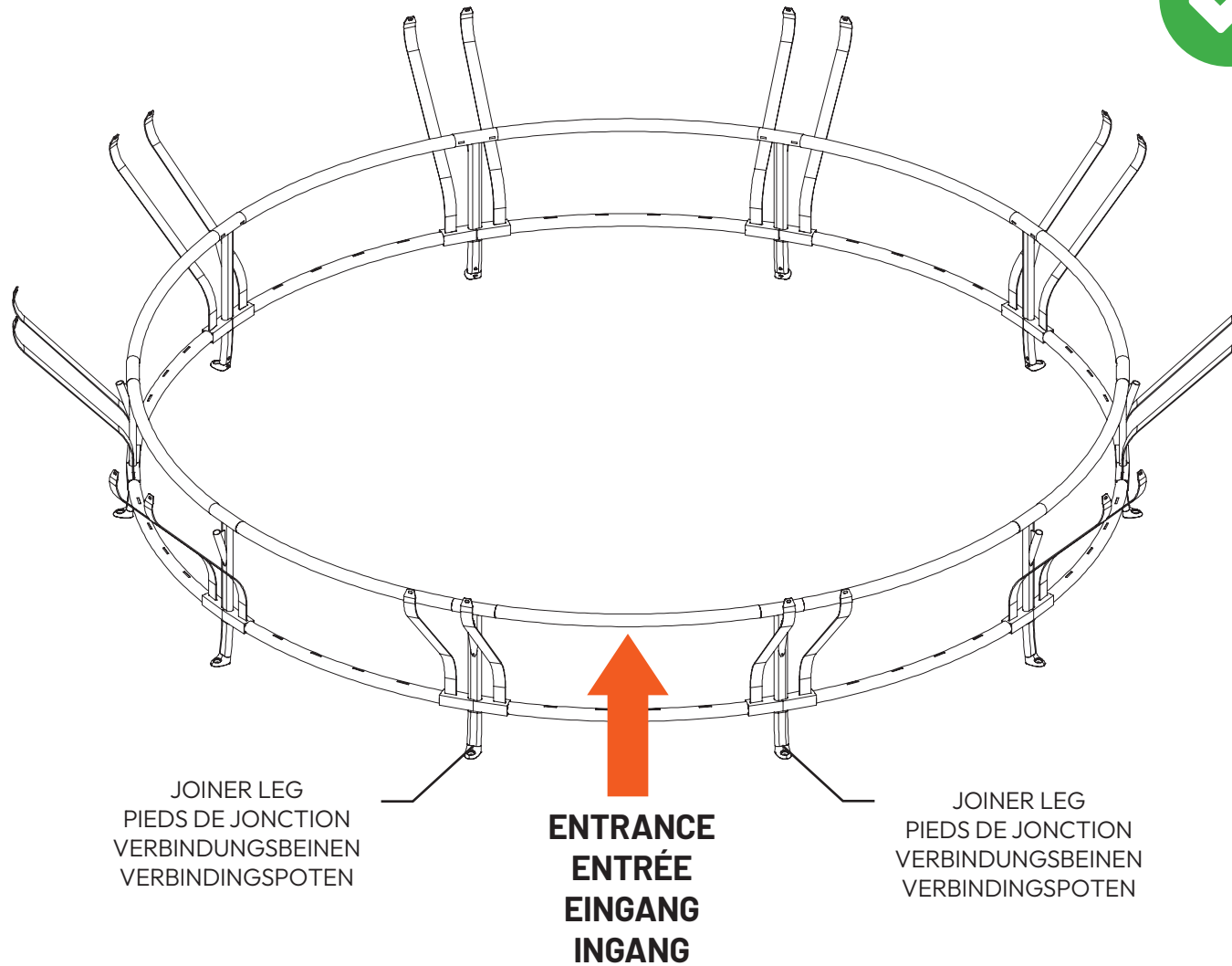
NOTE: Ensure second person is in the opposite position to help insert the final **Frame Tube** into the **Joiner**.

REMARQUE: Assurez-vous qu'une deuxième personne se trouve en position opposée pour insérer le dernier **Tube du Cadre** dans le **Raccord**.

HINWEIS: Eine zweite Person sollte gegenüberstehen, um das letzte **Rahmenteil** in den **Verbinder** einzusetzen.

OPMERKING: Zorg ervoor dat de tweede persoon zich in de tegenoverliggende positie bevindt om te helpen bij het plaatsen van de laatste **framebuis** in de **verbinder**.





NOTE: Choose a space between two **Joiner Legs** where you would like to place your trampoline entrance.

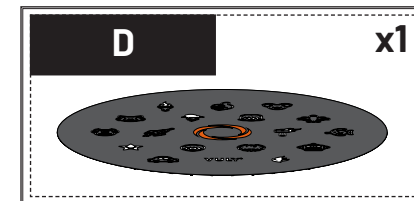
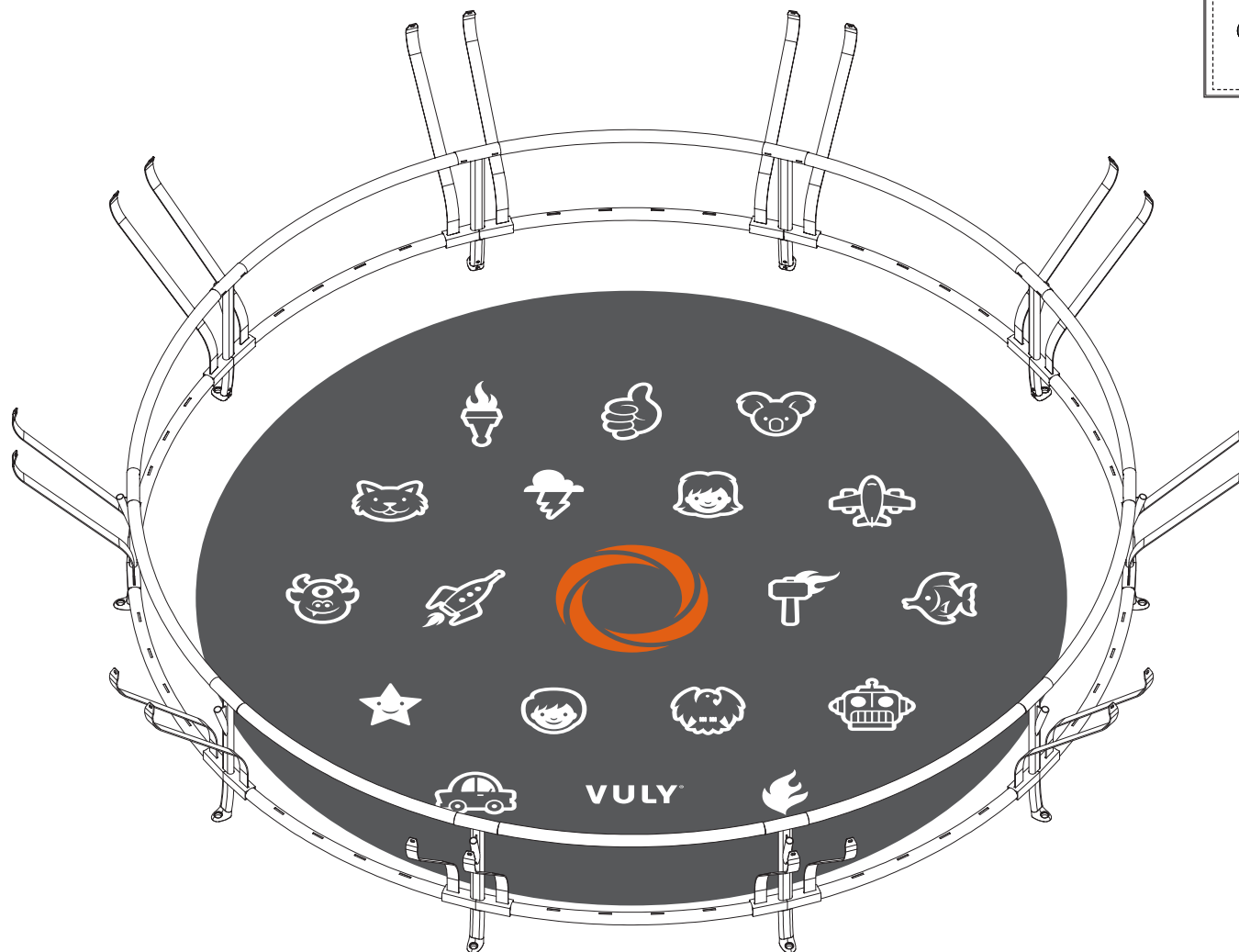
REMARQUE: Choisissez un espace entre deux **Pieds de Jonction** où vous souhaitez placer l'entrée du trampoline.

HINWEIS: Wählen Sie einen Platz zwischen zwei **Verbindungsbeinen**, an dem Sie den Trampolin-Eingang positionieren möchten.

OPMERKING: Kies een ruimte tussen twee **verbindingspoten** waar u de ingang van de trampoline wilt plaatsen.



5



NOTE: Place **Jump mat** so that Vuly logo is facing entrance.

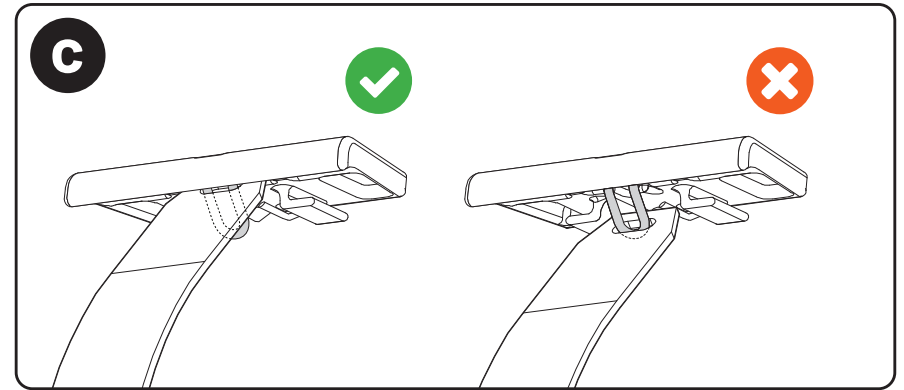
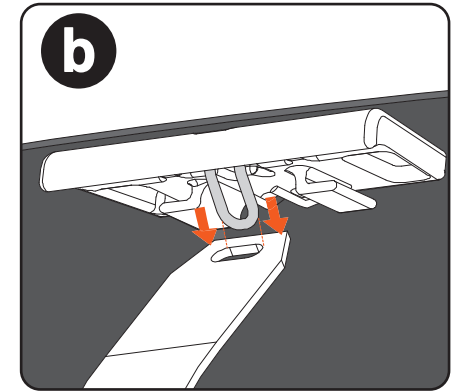
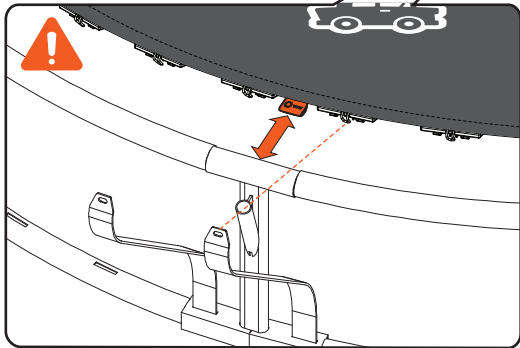
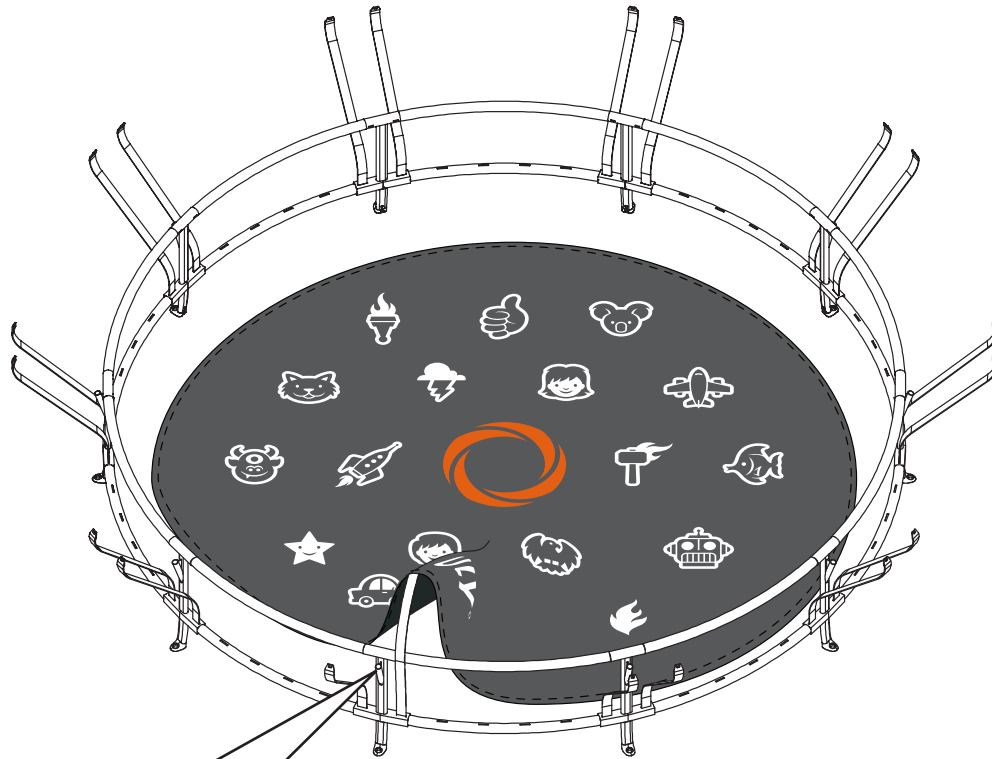
REMARQUE : Placez le **Tapis de Saut** de manière à ce que le logo Vuly soit orienté vers l'entrée.

HINWEIS: Platzieren Sie die **Sprungmatte** so, dass das Vuly-Logo zum Eingang zeigt.

OPMERKING: Plaats de **springmat** zodat het Vuly-logo naar de ingang wijst.



6



WARNING! Ensure **Jump Mat** hooks are fully engaged with **Leaf Spring** slots. Align batch tag on **Jump Mat** with **Joiner Leg** to the left of the entrance location that has been chosen.

ATTENTION! Assurez-vous que les crochets du **Tapis de Saut** sont bien insérés dans les fentes des **Ressorts à Lame**. Alignez l'étiquette de lot du **Tapis de Saut** avec le **Pied de Jonction** à gauche de l'emplacement d'entrée choisi.

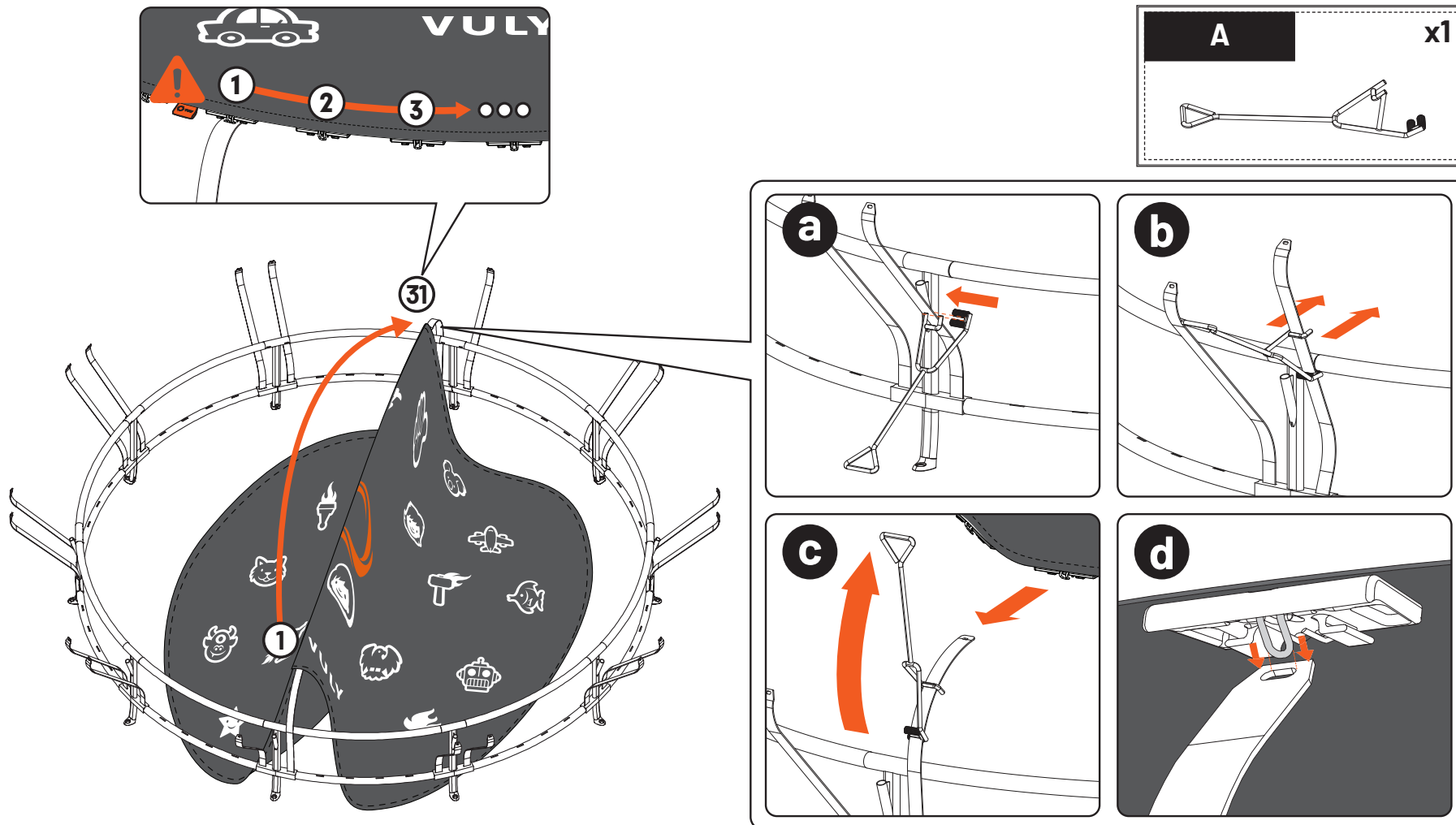
ACHTUNG! Stellen Sie sicher, dass die Haken der **Sprungmatte** vollständig in die Schlitze der **Blattfedern** eingreifen. Richten Sie das Chargenschild der **Sprungmatte** an dem **Verbindungsbein** links vom gewählten Eingangsbereich aus.

WAARSCHUWING! Zorg ervoor dat de haken van de **springmat** volledig in de sleuven van de **bladveren** vastzitten. Lijn het batchlabel op de **springmat** uit met de **verbindingspoot** links van de gekozen inganglocatie.



7

1



NOTE: To ensure correct attachment of mat to springs, count Hooks on the Jump Mat in an anti clockwise direction (refer to diagram above). Your jump mat may have grey belts on every 6th mat connection point to help indicate the first spring of each segment. Use the supplied **Leaf Spring Tool** to attach the indicated springs to the **Jump Mat Hooks**.

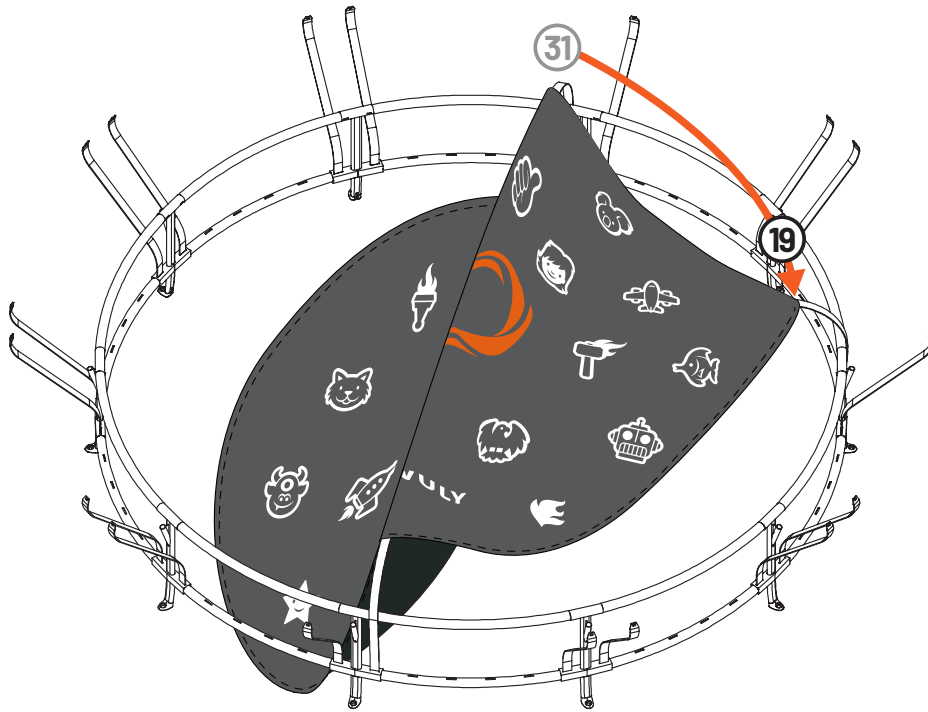
REMARQUE: Pour une fixation correcte du tapis aux ressorts, comptez les crochets sur le tapis de saut dans le sens inverse des aiguilles d'une montre (voir le schéma ci-dessus). Votre **Tapis de Saut** peut comporter des sangles grises à chaque 6ème point de connexion pour indiquer le premier ressort de chaque segment. Utilisez l'**Outil pour Ressorts à Lame** fourni pour fixer les ressorts indiqués aux **Crochets Tapis de Saut**.

HINWEIS: Um die Sprungmatte korrekt an den Federn zu befestigen, zählen Sie die Haken auf der Sprungmatte gegen den Uhrzeigersinn (siehe Abbildung oben). Ihre **Sprungmatte** kann an jedem 6. Verbindungspunkt graue Bänder haben, um die erste Feder jedes Segments zu kennzeichnen. Verwenden Sie das mitgelieferte **Blattfeder-Werkzeug**, um die angegebenen Federn an den **Sprungmattenhaken** zu befestigen.

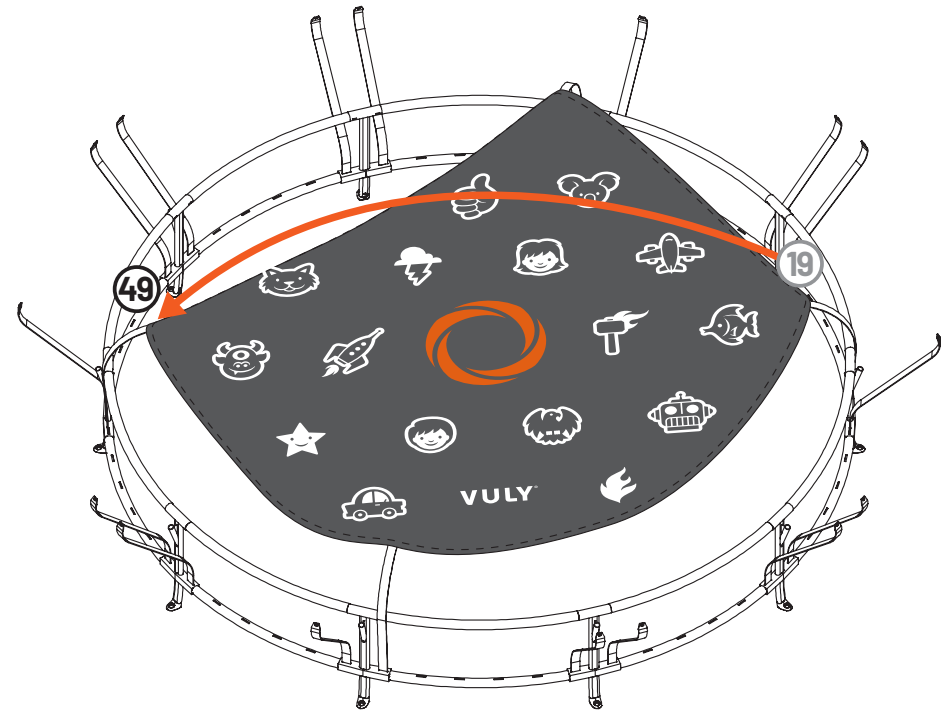
OPMERKING: Om de correcte bevestiging van de mat aan de veren te garanderen, telt u de haken op de springmat tegen de klok in (raadpleeg de bovenstaande afbeelding). Uw **springmat** kan grijze banden hebben op elk zesde bevestigingspunt van de mat om de eerste veer van elk segment aan te duiden. Gebruik het meegeleverde **bladveergereedschap** om de aangegeven veren aan de **haken van de springmat** te bevestigen.



2



3



NOTE: Attach one spring at indicated locations.

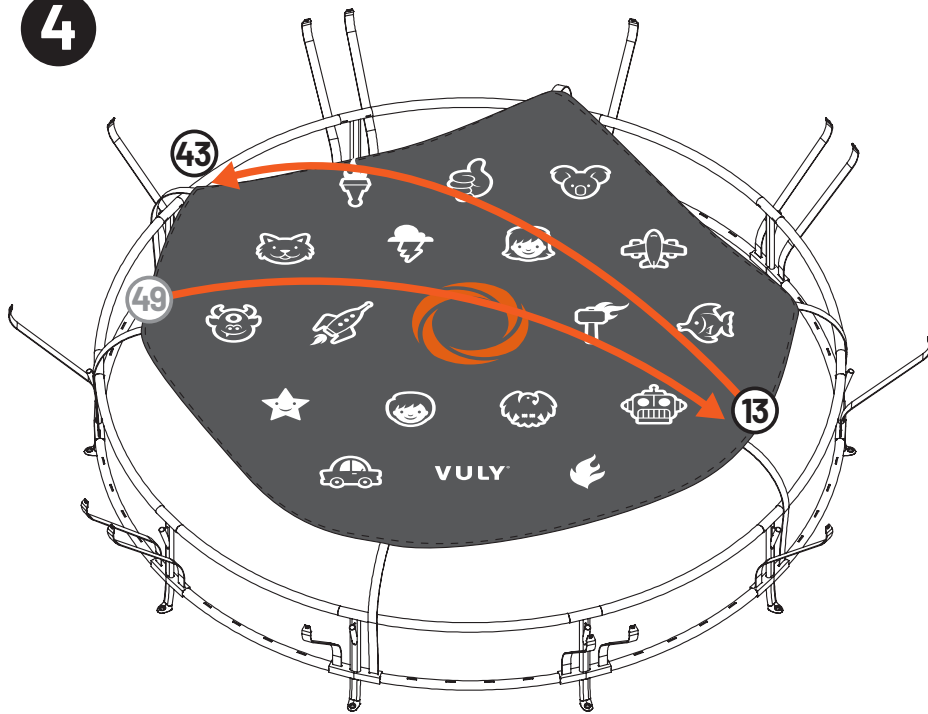
REMARQUE: Installez un ressort aux emplacements indiqués.

HINWEIS: Befestigen Sie eine Feder an den angegebenen Stellen

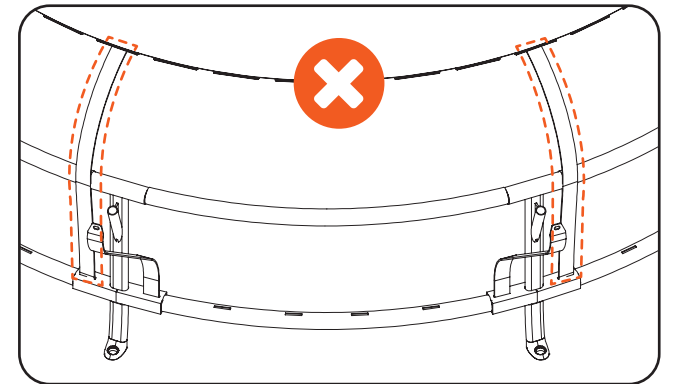
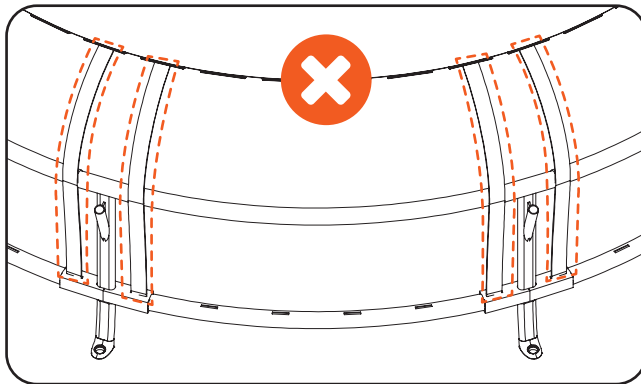
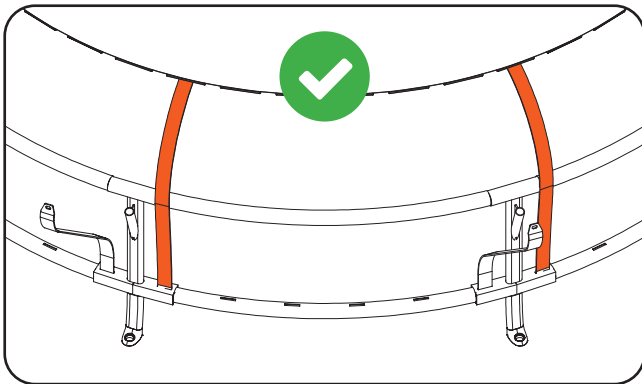
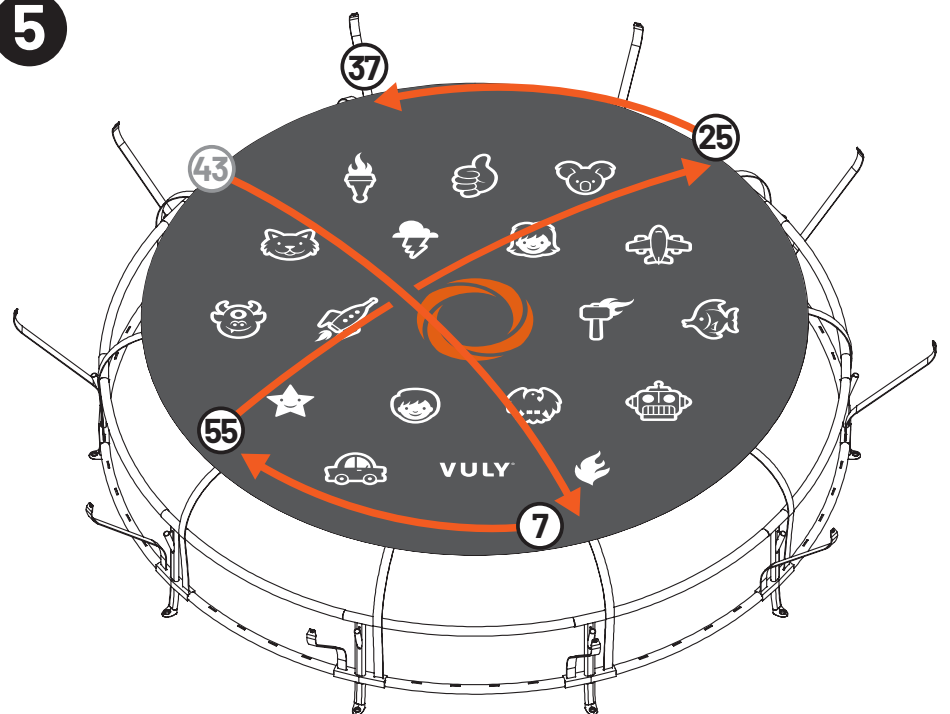
OPMERKING: Bevestig één veer op de aangegeven plaatsen.



4



5



NOTE: Only Leaf Springs on the right side of each **Joiner Leg** should be attached to the **Jump Mat**.

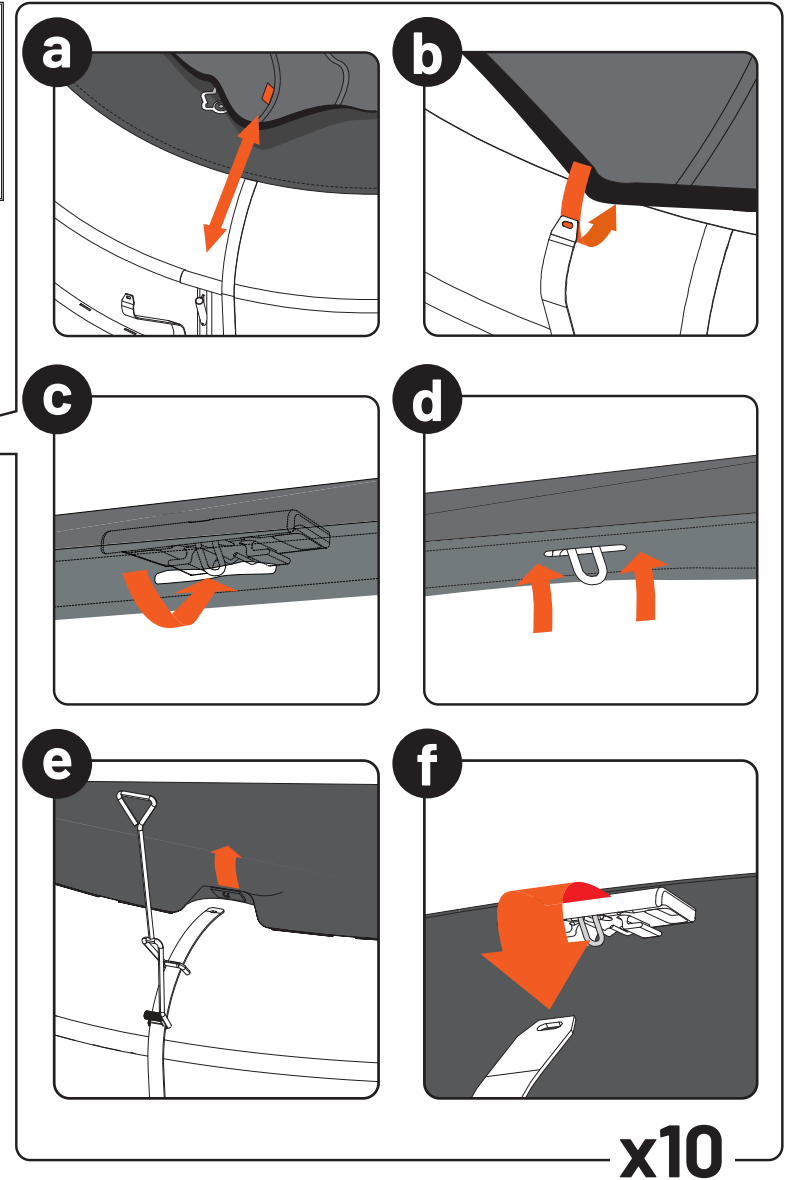
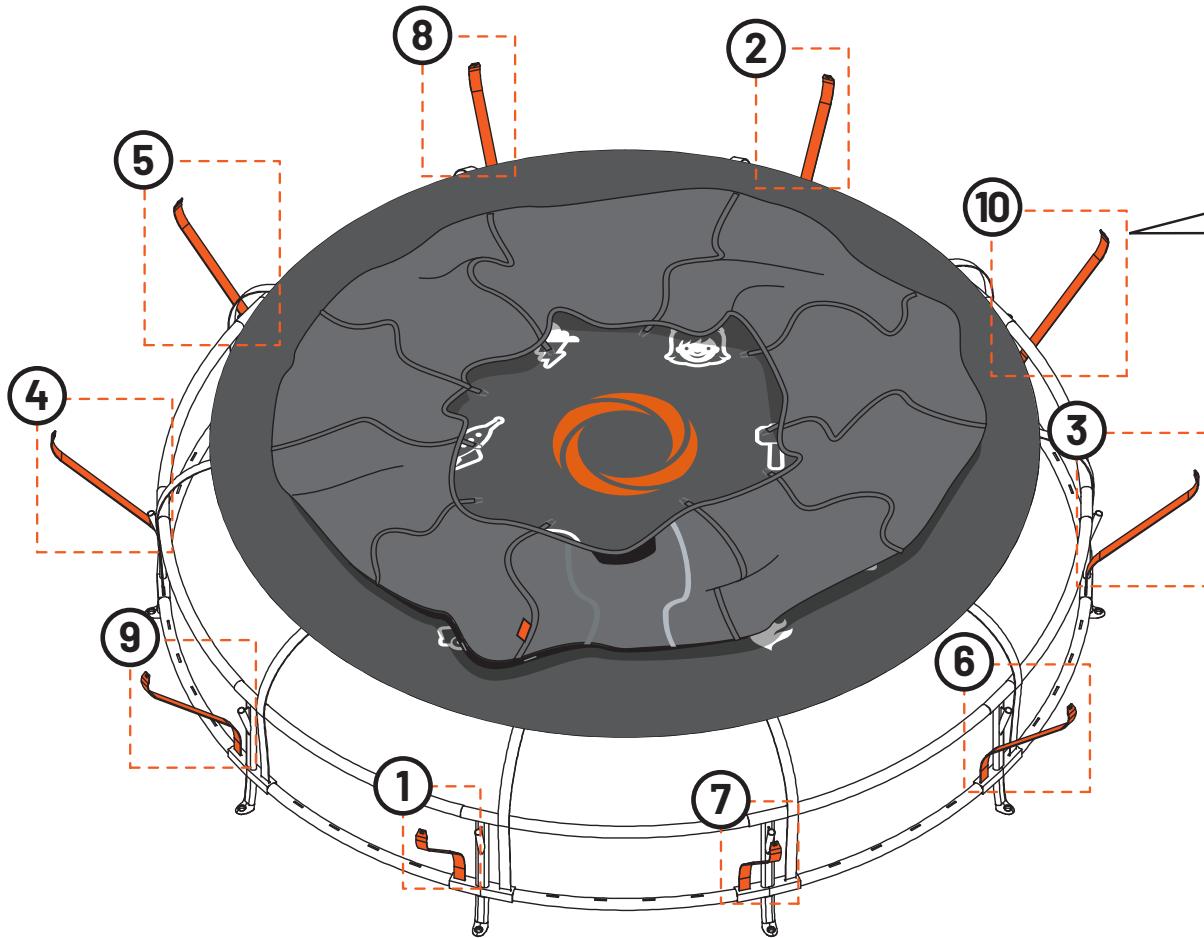
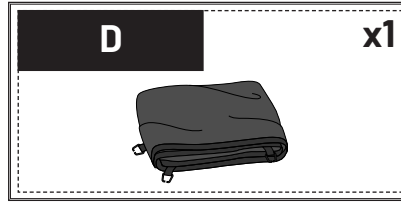
REMARQUE: Seuls les **Ressorts à Lame** du côté droit de chaque **Pied de Jonction** doivent être fixés au **Tapis de Saut**.

HINWEIS: Nur die **Blattfedern** auf der rechten Seite jedes **Verbindungsbeins** sollten an der **Sprungmatte** befestigt werden.

OPMERKING: Alleen de **bladveren** aan de rechterzijde van elke **verbindingspoot** mogen aan de **springmat** worden bevestigd.



8



NOTE: Ensure that the stitched belts on the **Safety Net** are on the outside, and the batch tag is aligned with the **Joiner Leg** left of the entrance as indicated.

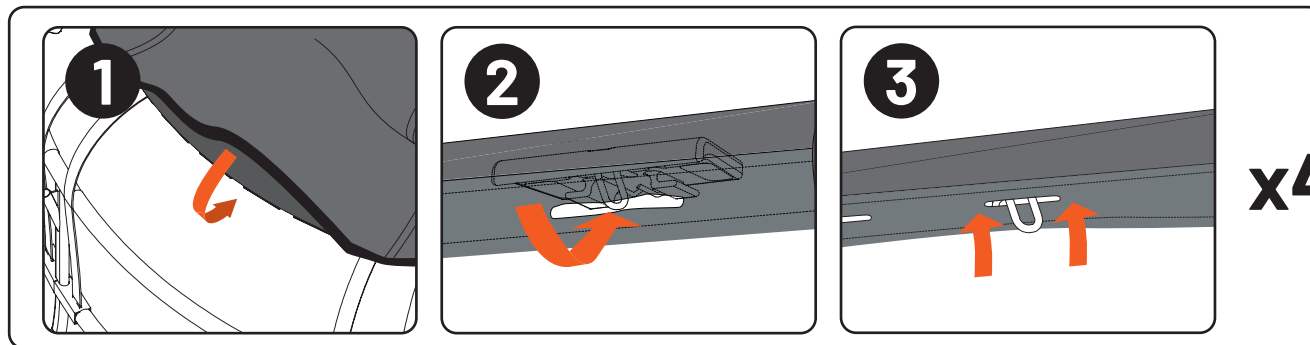
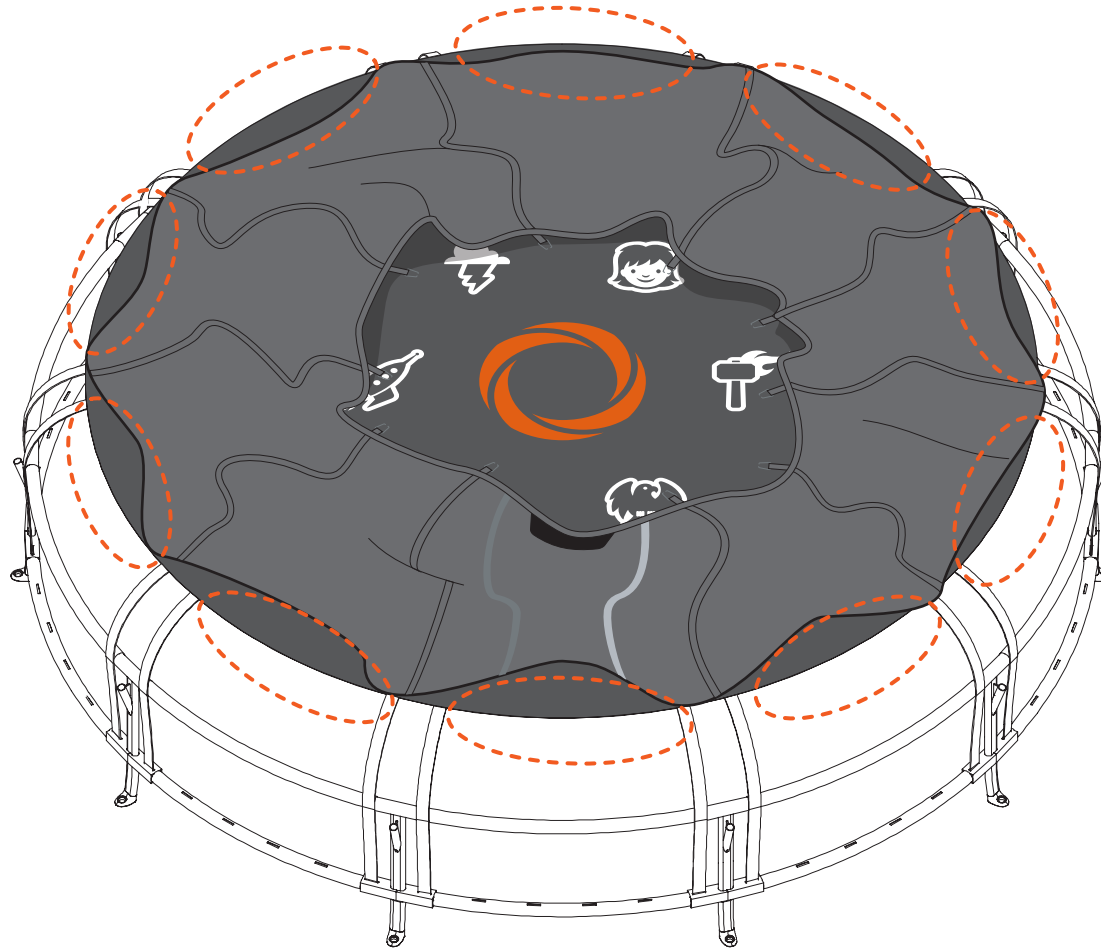
REMARQUE: Assurez-vous que les sangles cousues du **Filet de Sécurité** sont à l'extérieur, et que l'étiquette de lot est alignée avec le **Pied de Jonction** à gauche de l'entrée comme indiqué.

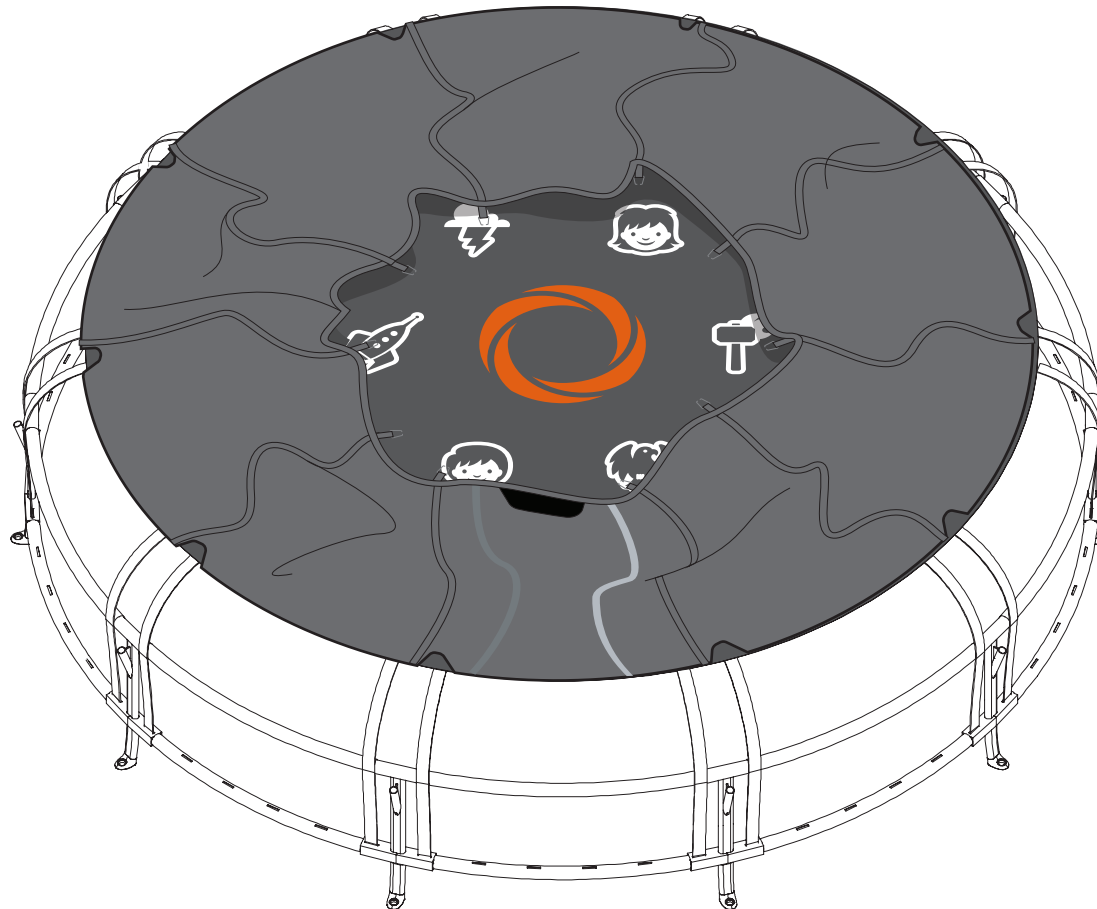
HINWEIS: Achten Sie darauf, dass die genähten Gurte des **Sicherheitsnetzes** außen liegen und das Chargenschild mit dem **Verbindungsbein** links vom Eingang ausgerichtet ist.

OPMERKING: Zorg ervoor dat de genaaide banden van het **veiligheidsnet** aan de buitenzijde zitten en dat het batchlabel is uitgelijnd met de **verbindingspoot** links van de ingang, zoals aangegeven..



9





NOTE: Ensure that **Safety Net** is correctly connected to the available **Jump Mat** attachment points without bunching or twisting.

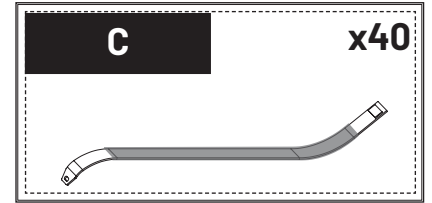
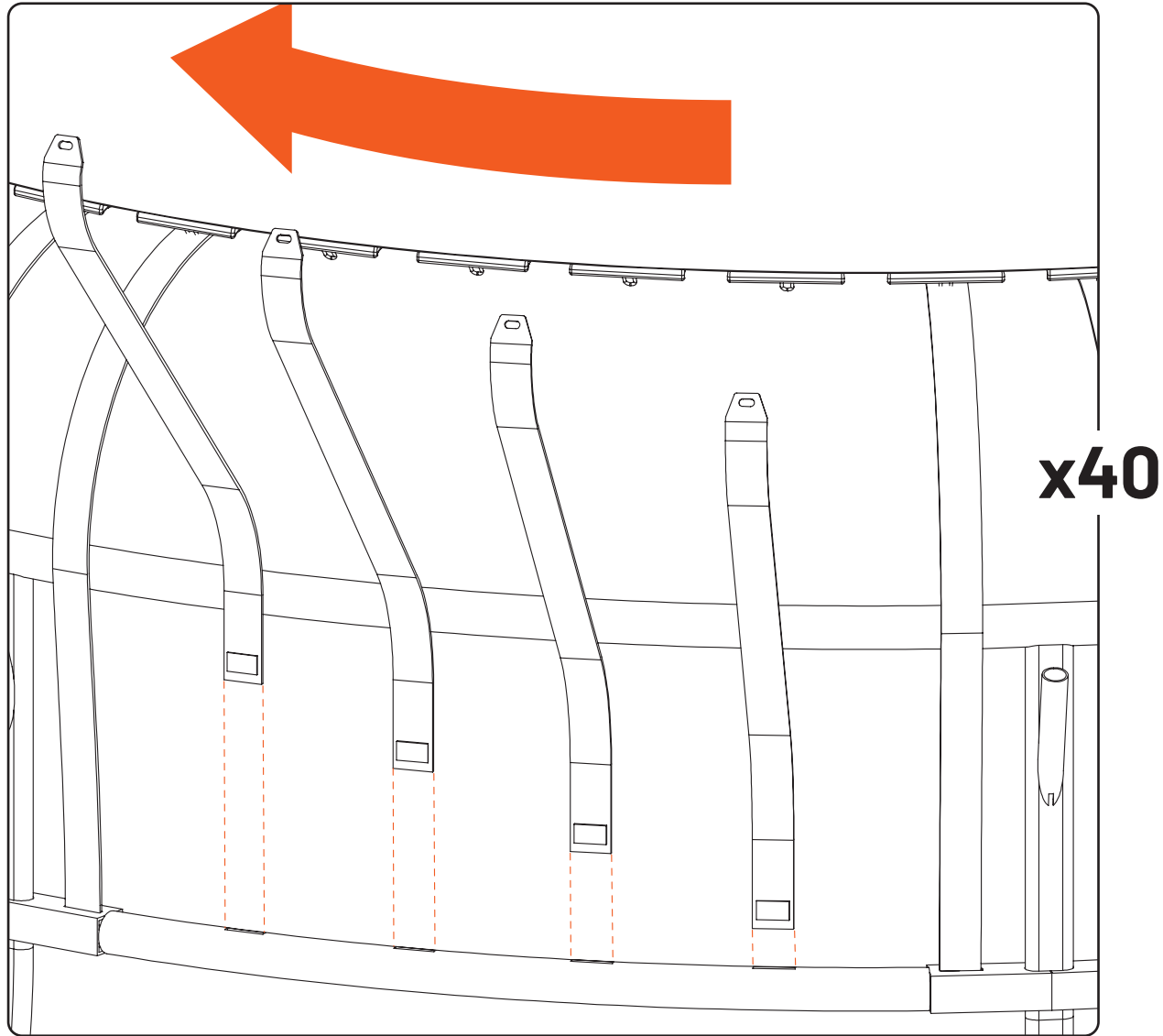
REMARQUE: Assurez-vous à ce que le **Filet de Sécurité** soit correctement connecté aux points d'attache disponibles du **Tapis de Saut**, sans pli ni torsion.

HINWEIS: Achten Sie darauf, dass das **Sicherheitsnetz** ohne Falten oder Verdrehen korrekt an den Befestigungspunkten der **Sprungmatte** angebracht ist.

OPMERKING: Zorg ervoor dat het **veiligheidsnet** correct is verbonden met de beschikbare bevestigingspunten van de **springmat**, zonder opeenhoping of verdraaiing.



10



NOTE: Insert all remaining **Leaf Springs** to **Lower Frame Tubes**.

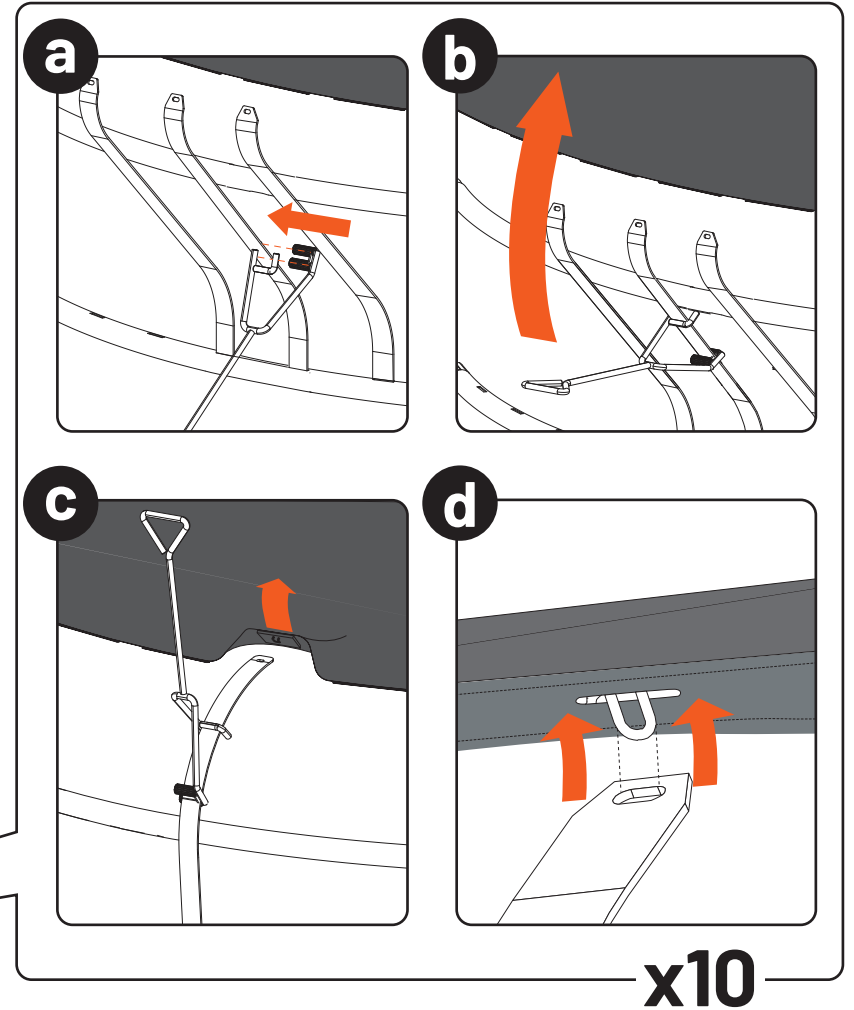
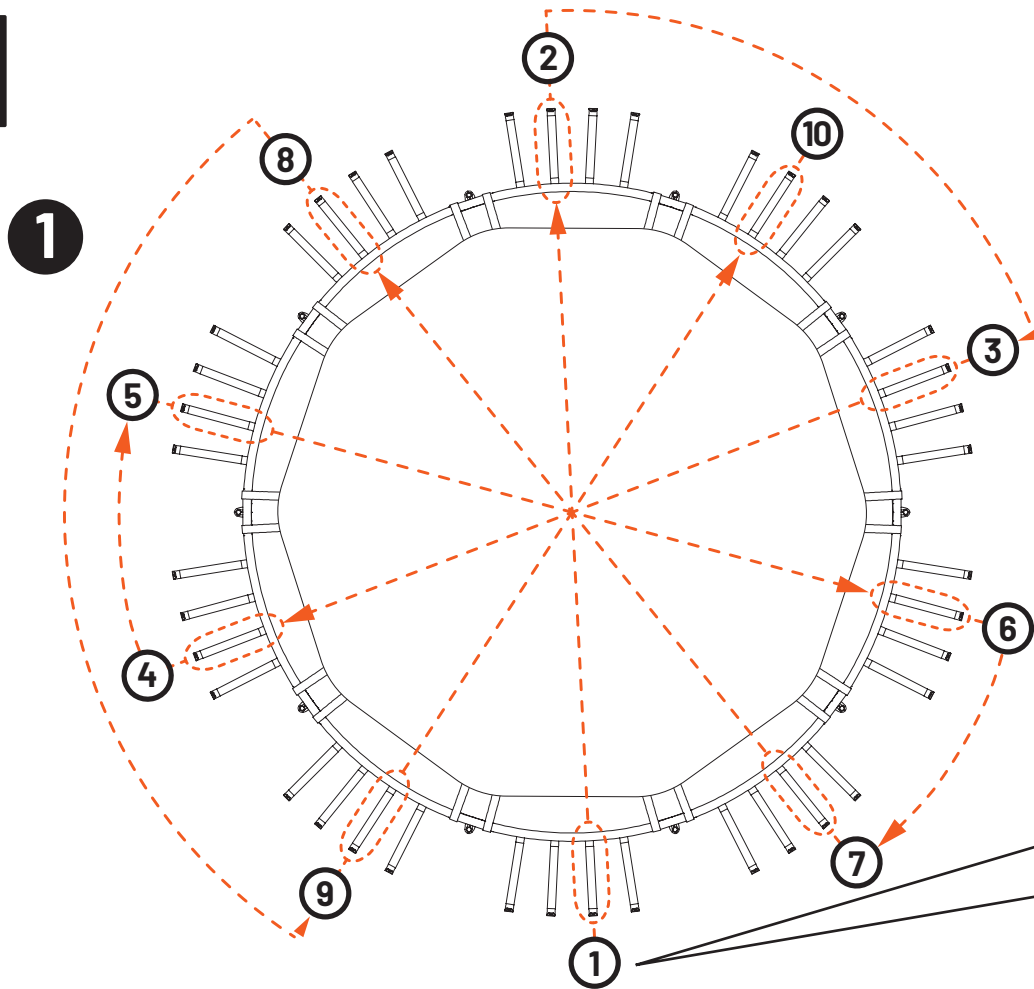
REMARQUE: Insérez tous les **Ressorts à Lame** dans les **Tubes Inférieurs du Cadre**.

HINWEIS: Setzen Sie alle verbleibenden **Blattfedern** in die **Unteren Rahmenteile** ein.

OPMERKING: Plaats alle resterende **bladveren** in de onderste **framebuizen**.



11



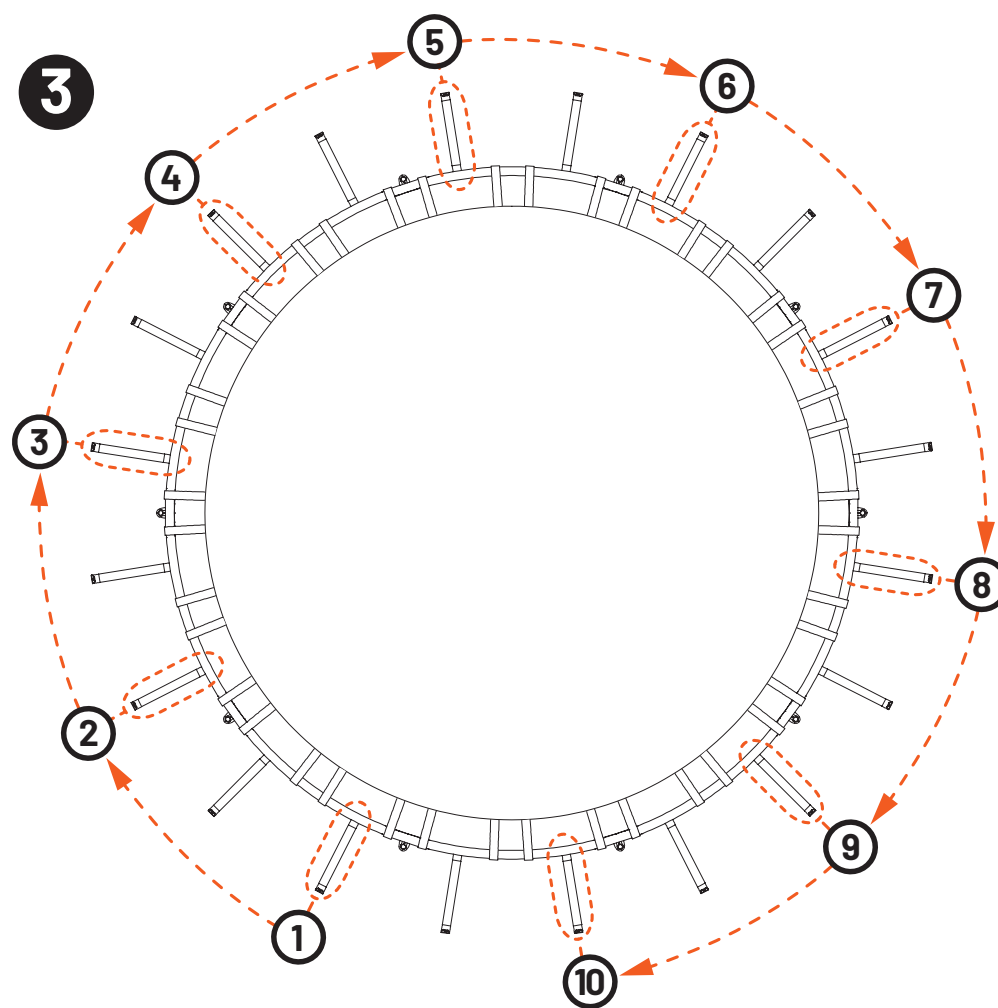
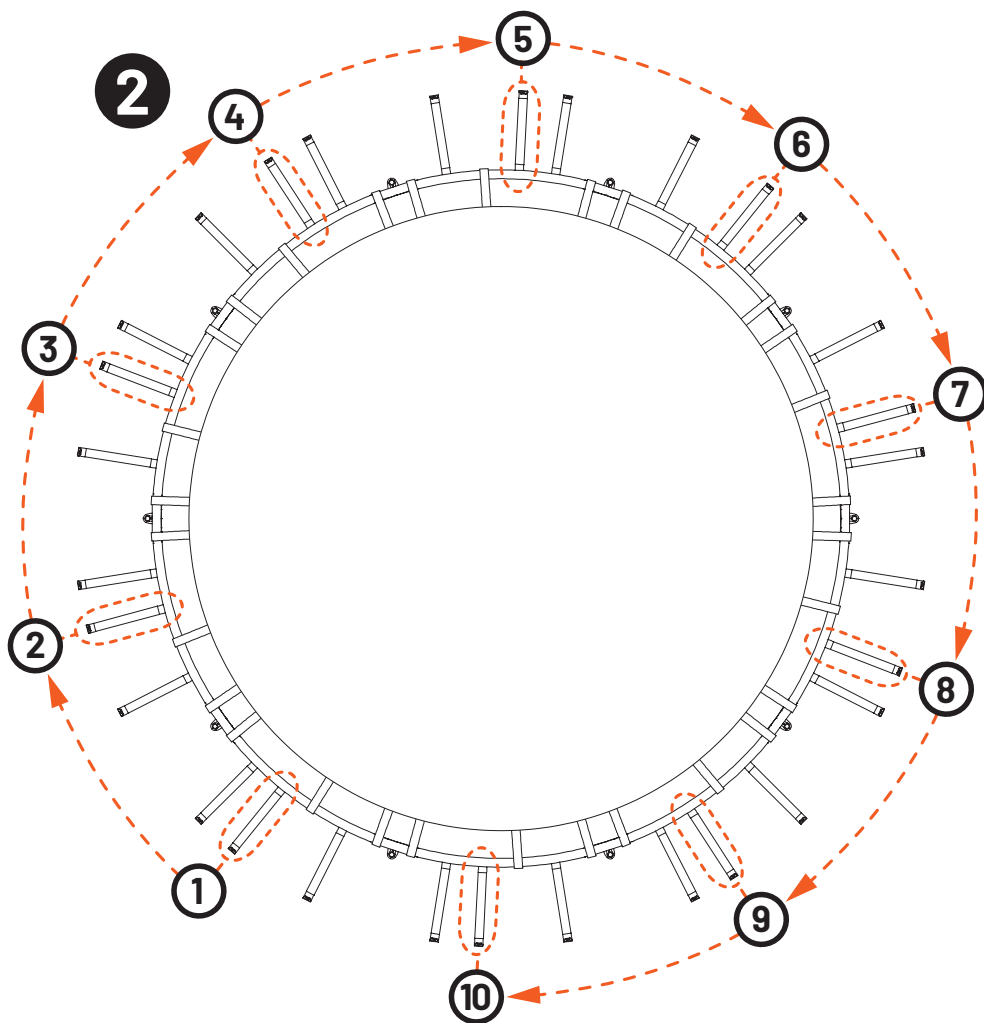
NOTE: Attach **Leaf Springs** in order and positions noted in above diagram to ensure even mat tension.

REMARQUE: Installez les **Ressorts à Lame** dans l'ordre et aux positions indiquées dans le schéma ci-dessus pour assurer une tension uniforme du tapis.

HINWEIS: Befestigen Sie die **Blattfedern** in der im Diagramm angegebenen Reihenfolge und Position, um eine gleichmäßige Spannung der Matte zu gewährleisten.

OPMERKING: Bevestig de **bladveren** in de volgorde en op de posities zoals aangegeven in de bovenstaande afbeelding om een gelijkmatige spanning van de mat te garanderen.



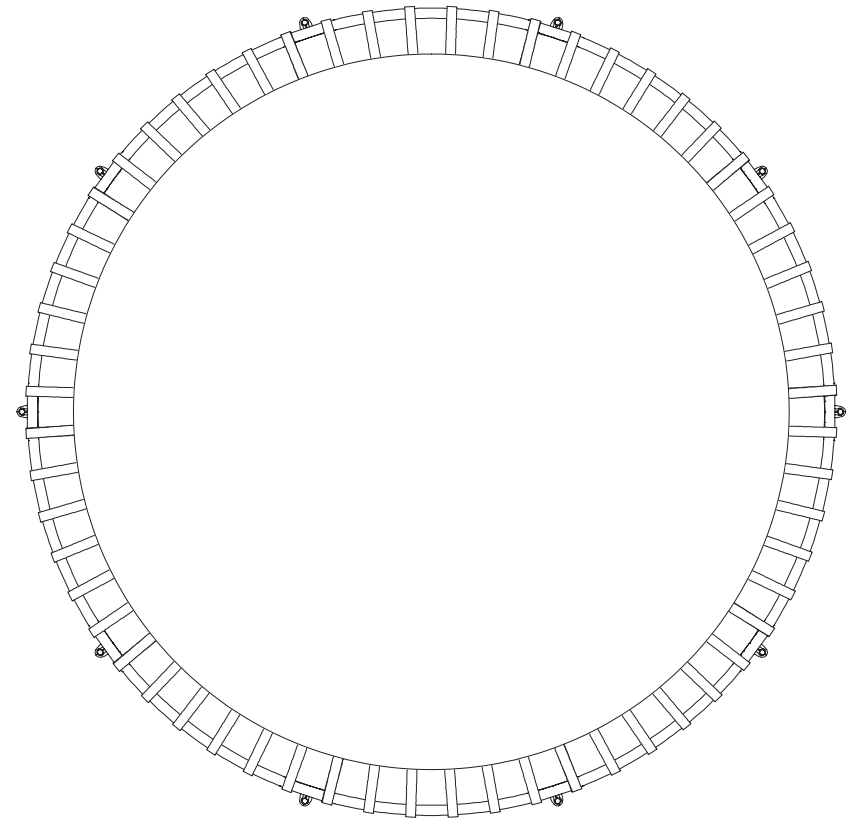
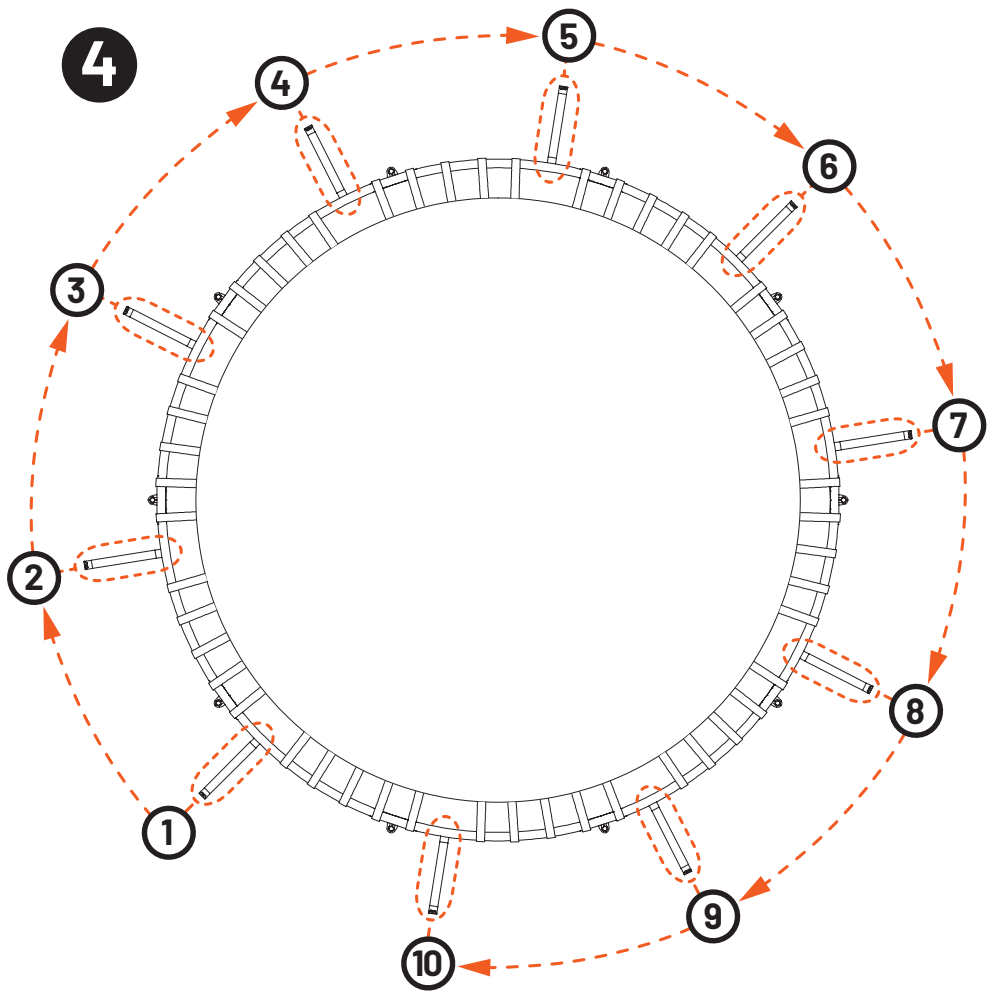


NOTE: Work your way around the trampoline attaching one spring per segment at a time until all **Leaf Springs** are attached to the jump mat.

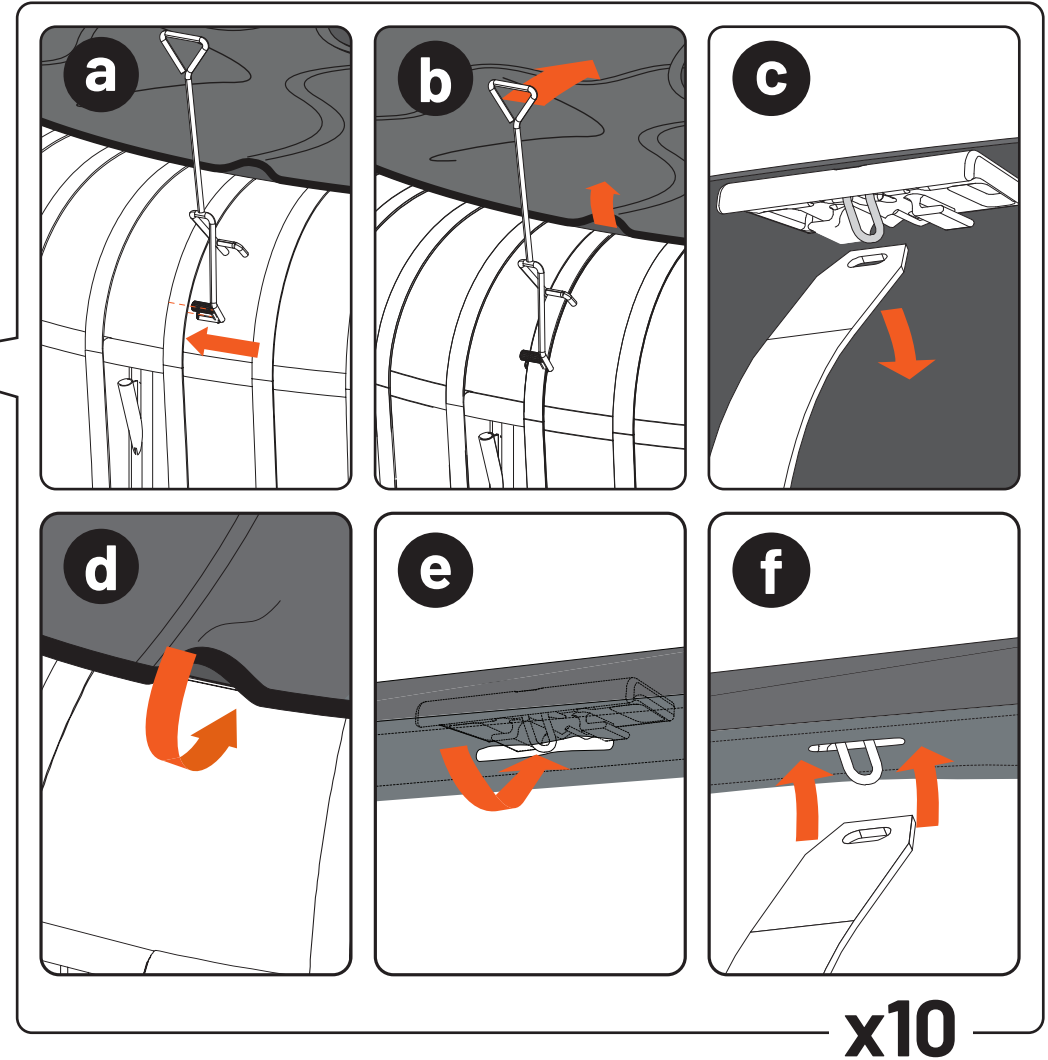
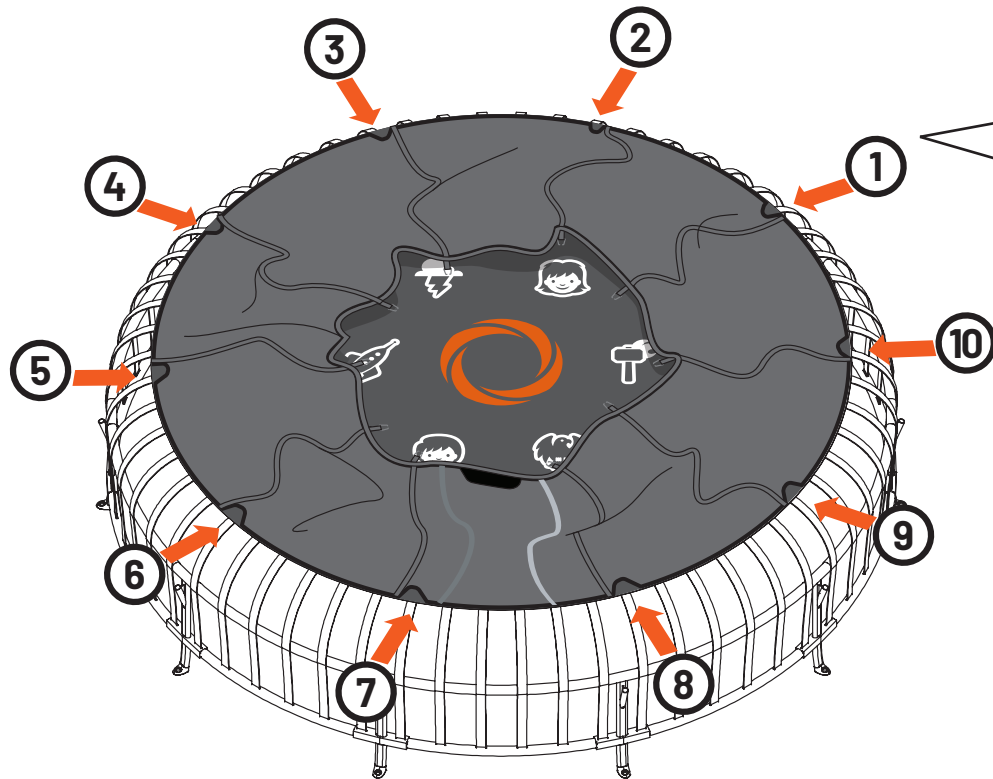
REMARQUE: Faites le tour du trampoline en installant un ressort par segment jusqu'à ce que tous les **Ressort à Lames** soient attachés au tapis de saut.

HINWEIS: Gehen Sie rund um das Trampolin und befestigen Sie eine Feder pro Segment, bis alle **Blattfedern** an der Sprungmatte angebracht sind.

OPMERKING: Werk rondom de trampoline en bevestig telkens één veer per segment totdat alle **bladveren** aan de springmat zijn bevestigd.



12



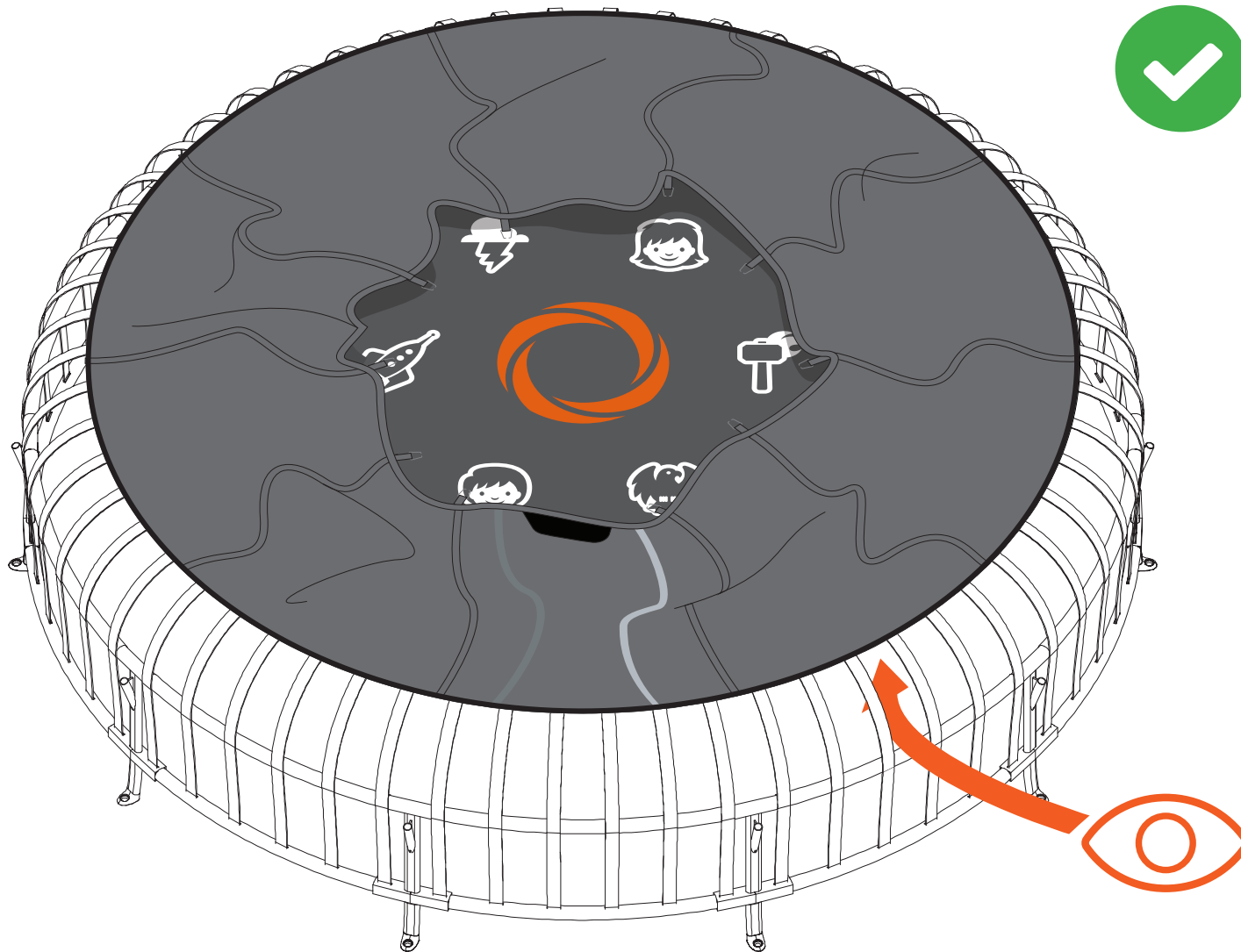
NOTE: Where the **Safety Net** is not yet attached, disconnect the **Leaf Spring**, attach **Safety Net** and reconnect the **Leaf Spring**. Repeat until **Safety Net** is secured.

REMARQUE: Lorsque le **Filet de Sécurité** n'est pas encore attaché, déconnectez le **Ressort à Lames**, attachez le **Filet de Sécurité** puis reconnectez le **Ressort à Lames**. Répétez jusqu'à ce que le **Filet** soit entièrement installé.

HINWEIS: Wo das **Sicherheitsnetz** noch nicht befestigt ist, entfernen Sie die **Blattfeder**, befestigen Sie das **Sicherheitsnetz** und setzen Sie die **Blattfeder** wieder ein. Wiederholen bis das **Netz** gesichert ist.

OPMERKING: Waar het **veiligheidsnet** nog niet is bevestigd, maakt u de **bladveer** los, bevestigt u het **veiligheidsnet** en verbindt u de **bladveer** opnieuw. Herhaal dit totdat het **veiligheidsnet** is vastgezet.





NOTE: Ensure all springs are securely attached to the frame and Hooks on **Jump Mat**. Go around and check for missing springs.

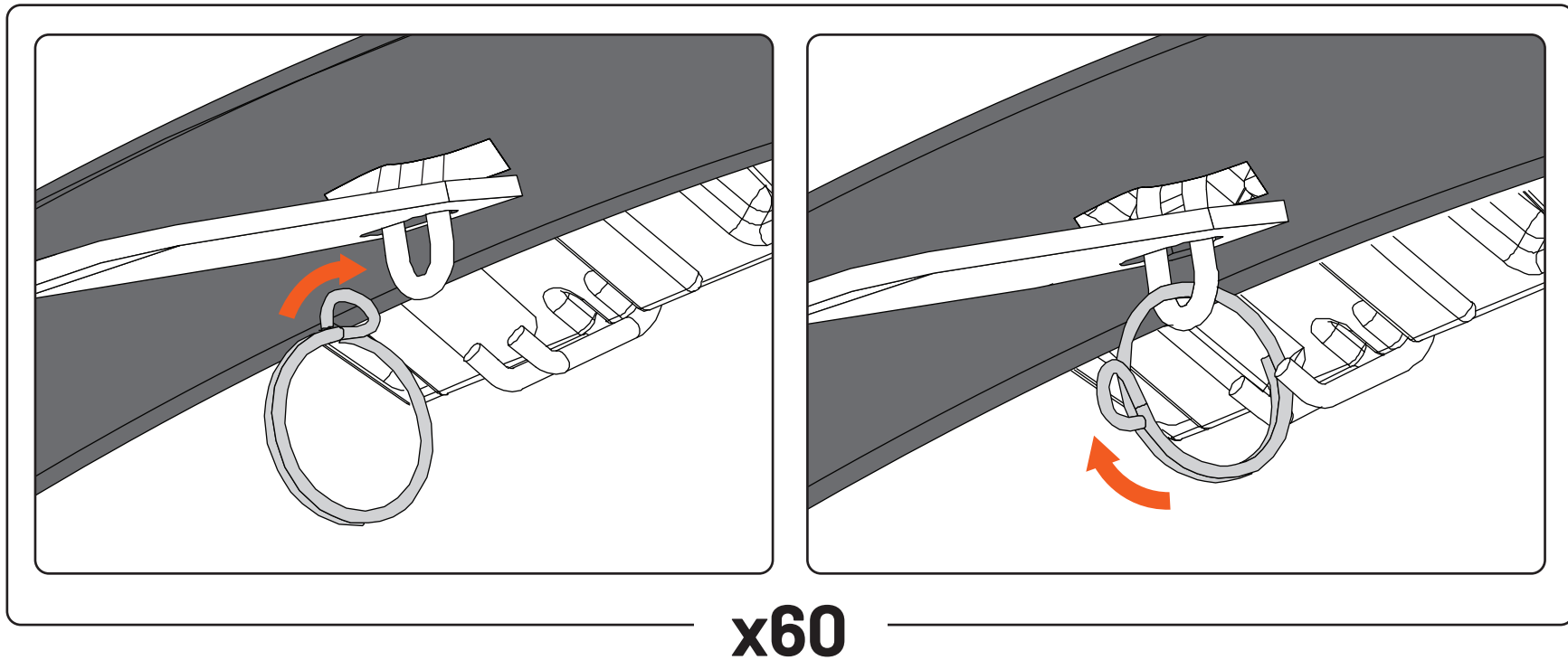
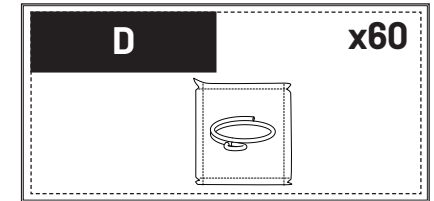
REMARQUE: Assurez-vous que tous les ressorts sont solidement fixés au cadre et aux crochets du **Tapis de Saut**. Faites le tour et assurez-vous qu'il ne manque aucun ressort.

HINWEIS: Stellen Sie sicher, dass alle Federn sicher am Rahmen und an den Haken der **Sprungmatte** befestigt sind. Gehen Sie herum und prüfen Sie, ob Federn fehlen.

OPMERKING: Zorg ervoor dat alle veren stevig aan het frame en aan de haken van de **springmat** zijn bevestigd. Loop rondom en controleer of er geen veren ontbreken.



13



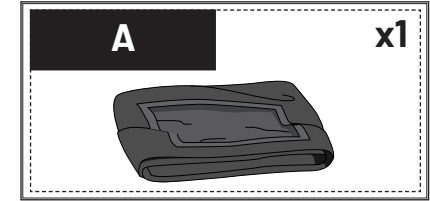
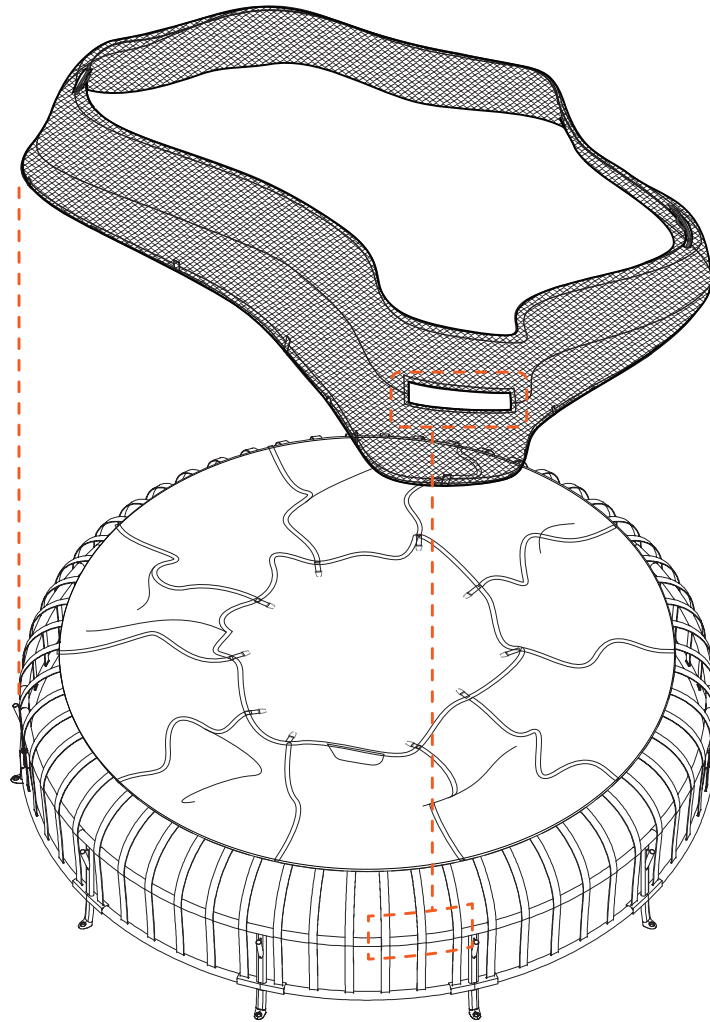
NOTE: Insert a **Ring Clip** through each **Leaf Spring** attachment point to secure.

REMARQUE: Insérez un **Anneau de Retenue** dans chaque point de fixation du **Ressort à Lames** afin de le sécuriser.

HINWEIS: Führen Sie zur Sicherung einen Sicherungsring durch jeden Befestigungspunkt der **Blattfeder**.

OPMERKING: Steek een **ringclip** door elk bevestigingspunt van de **bladveer** om deze vast te zetten.

14



NOTE: Ensure that the **Skirt** cutout is aligned against the right-side joiner leg to allow for easy access to **Safety Net** opening. Ensure that the **Skirt** is not inside out by checking that batch tags are on the outside.

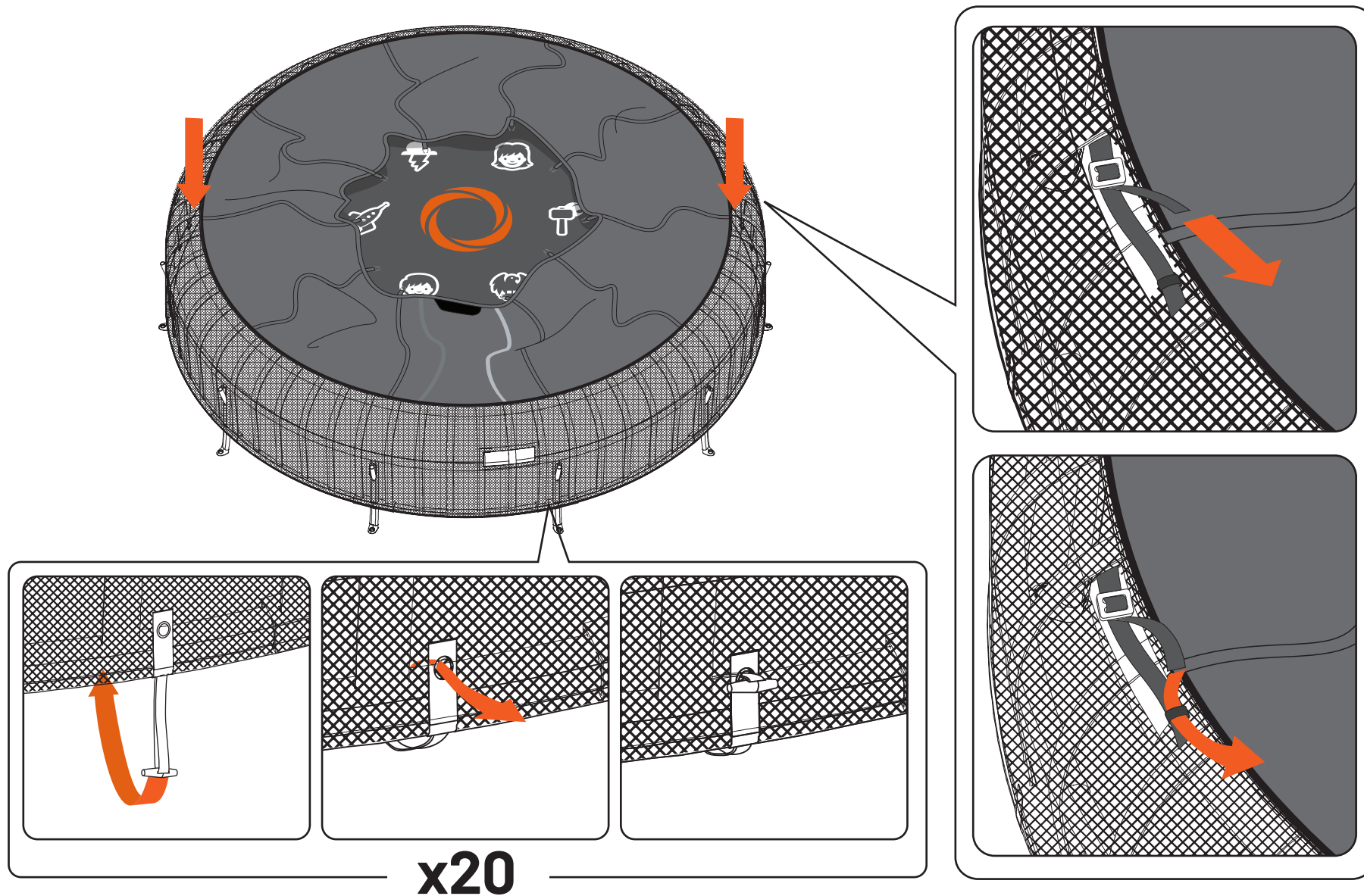
REMARQUE: Assurez-vous que la découpe de la **Jupe** est alignée contre le pied de jonction droit pour permettre un accès facile à l'ouverture du **Filet de Sécurité**. Assurez-vous que la **Jupe** n'est pas à l'envers en vérifiant que les étiquettes de lot sont à l'extérieur.

HINWEIS: Stellen Sie sicher, dass der **Rockausschnitt** am rechten Verbindungsbein ausgerichtet ist, um einen einfachen Zugang zur Öffnung des **Sicherheitsnetzes** zu ermöglichen. Stellen Sie sicher, dass der **Rock** nicht auf links gedreht ist, indem Sie prüfen, ob die Chargenetiketten außen liegen.

OPMERKING: Zorg ervoor dat de uitsparing van de **rok** is uitgelijnd met de rechter verbindingsspoor om gemakkelijke toegang tot de opening van het **veiligheidsnet** mogelijk te maken. Controleer of de **rok** niet binnenstebuiten zit door te controleren of de batchlabels aan de buitenzijde zijn geplaatst.



15



NOTE: Secure **Skirt** by tightening buckles on each side as well as fastening eyelets at the base.

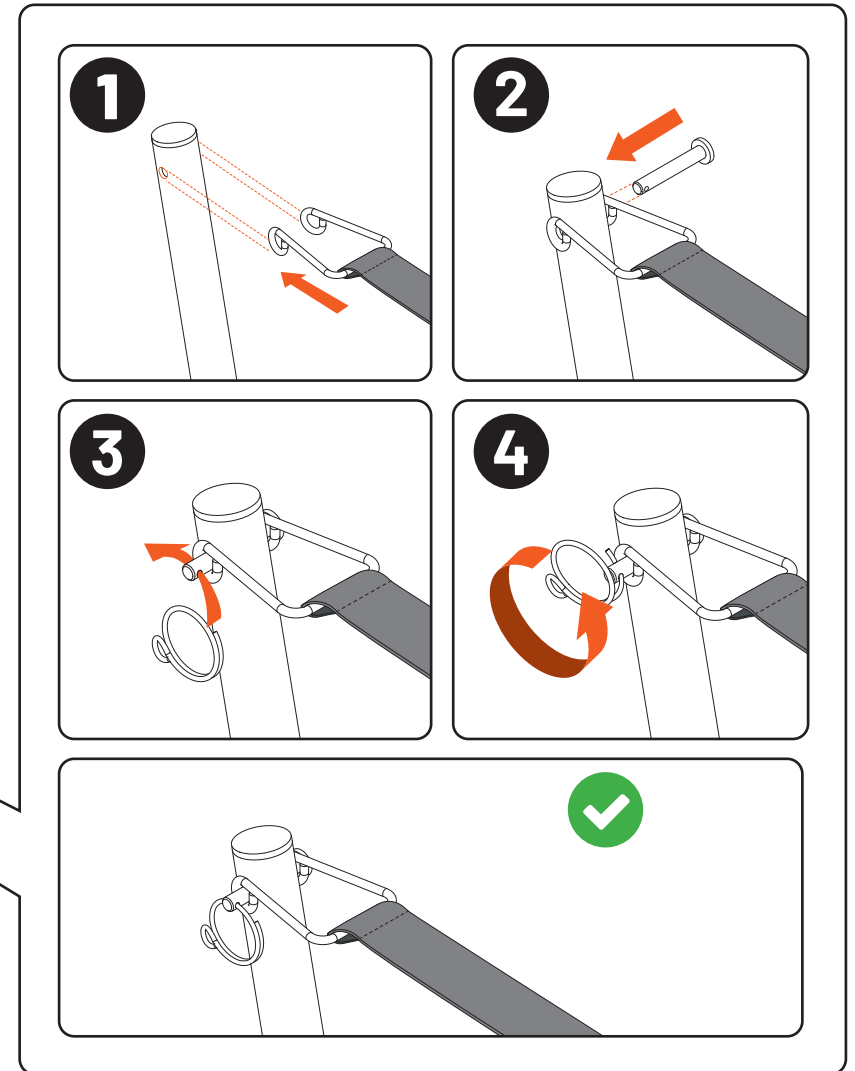
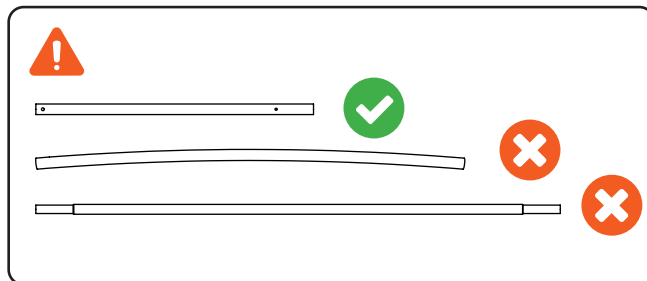
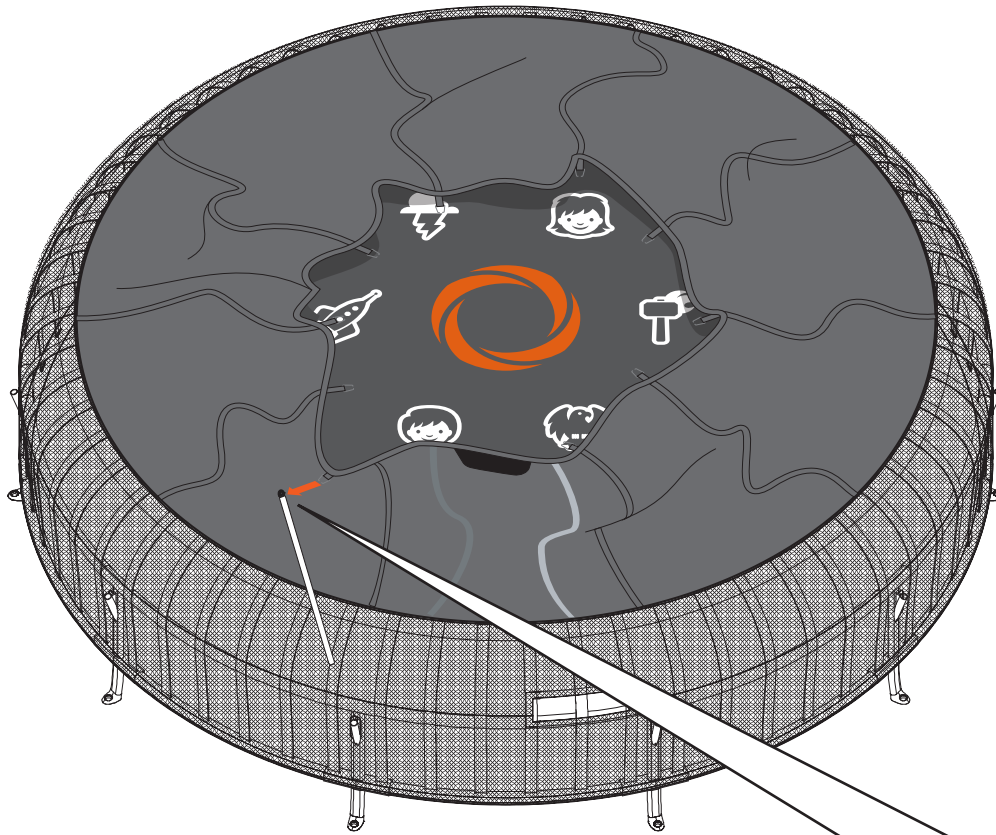
REMARQUE: Fixez la **Jupe** en serrant les boucles de chaque côté et en attachant les œillets à la base.

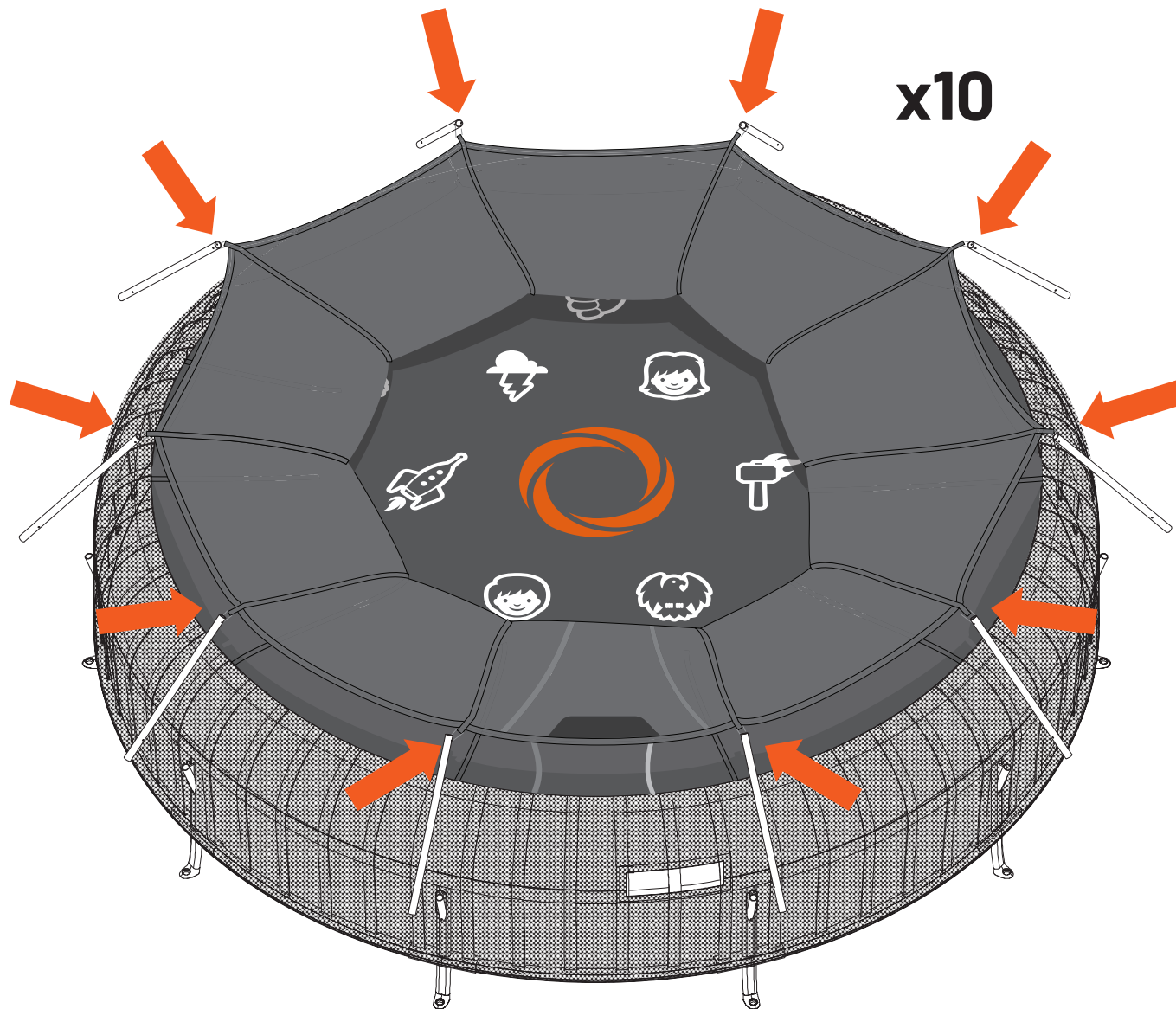
HINWEIS: Sichern Sie den **Rock**, indem Sie die Schnallen auf jeder Seite festziehen und die Ösen an der Basis befestigen.

OPMERKING: Zet de **rok** vast door de gespen aan beide zijden aan te trekken en de oogjes aan de basis vast te maken.



16





NOTE: If you are installing a **Shade Cover**, you may attach it now before raising the Safety Net. Refer to your **Shade Cover manual** for details.

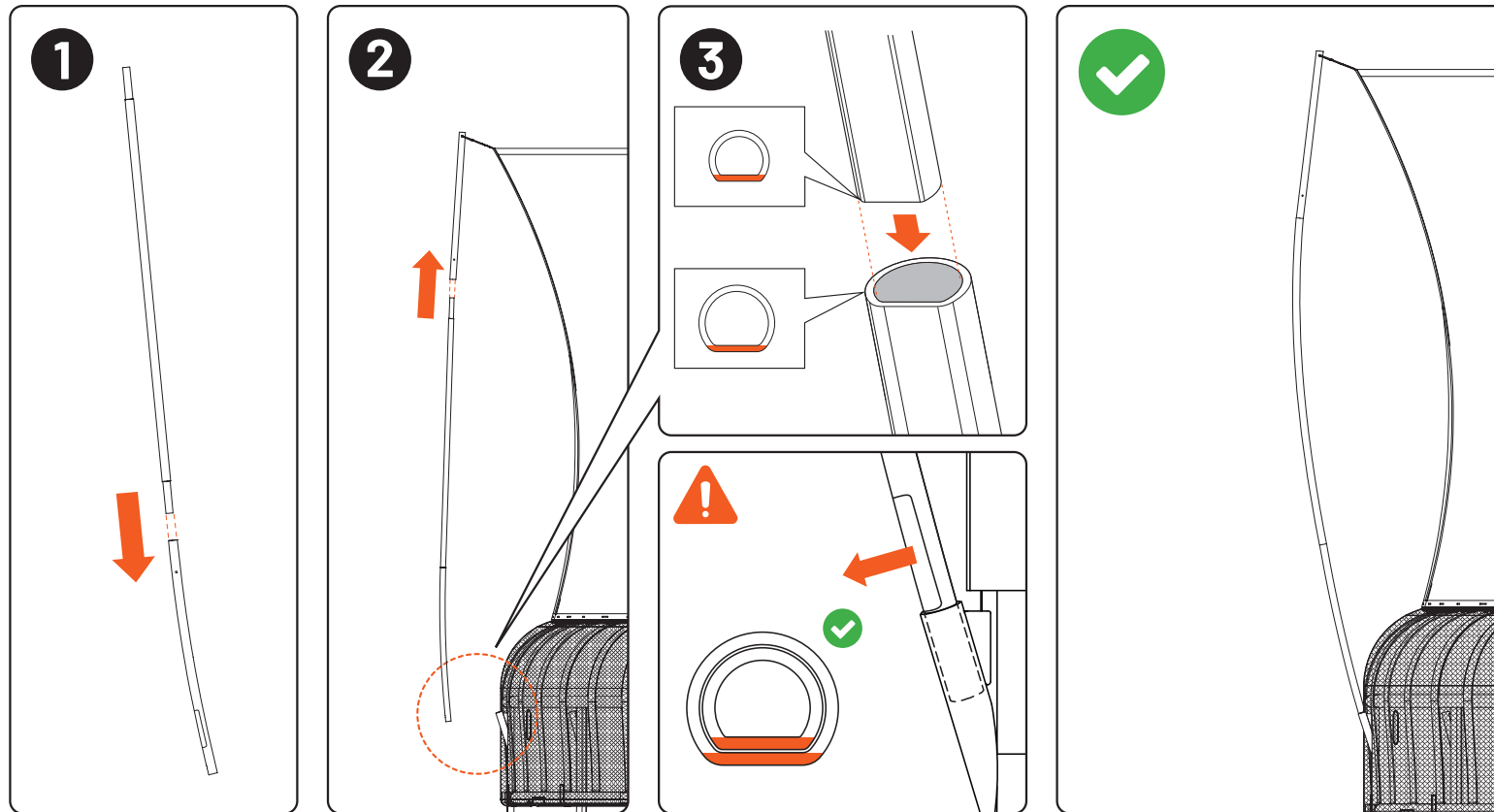
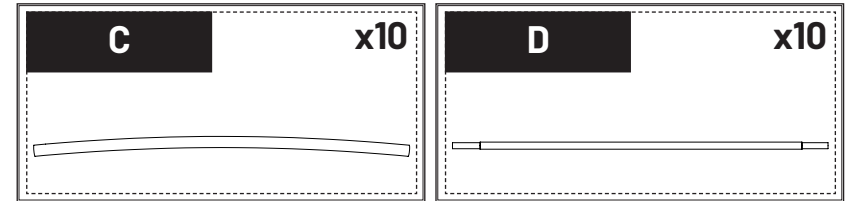
EMARQUE: Si vous installez un **Voile d'Ombrage** vous pouvez le fixer maintenant avant de lever le Filet de Sécurité. Consultez le **manuel de votre Voile d'Ombrage** pour plus de détails.

HINWEIS: Wenn Sie eine **Schattenabdeckung** installieren, können Sie diese jetzt anbringen, bevor Sie das Sicherheitsnetz anheben. Weitere Einzelheiten finden Sie in der **Anleitung Ihrer Schattenabdeckung**.

OPMERKING: Indien u een **schaduwdoek** installeert, kunu u dit nu bevestigen voordat u het veiligheidsnet omhoog brengt. Raadpleeg de **handleiding van het schaduwdoek** voor meer details.



17



REMEMBER: Ensure that **Net Poles** are securely attached at locations shown, **Net Pole** is fully inserted into receiver, and label is facing outwards.

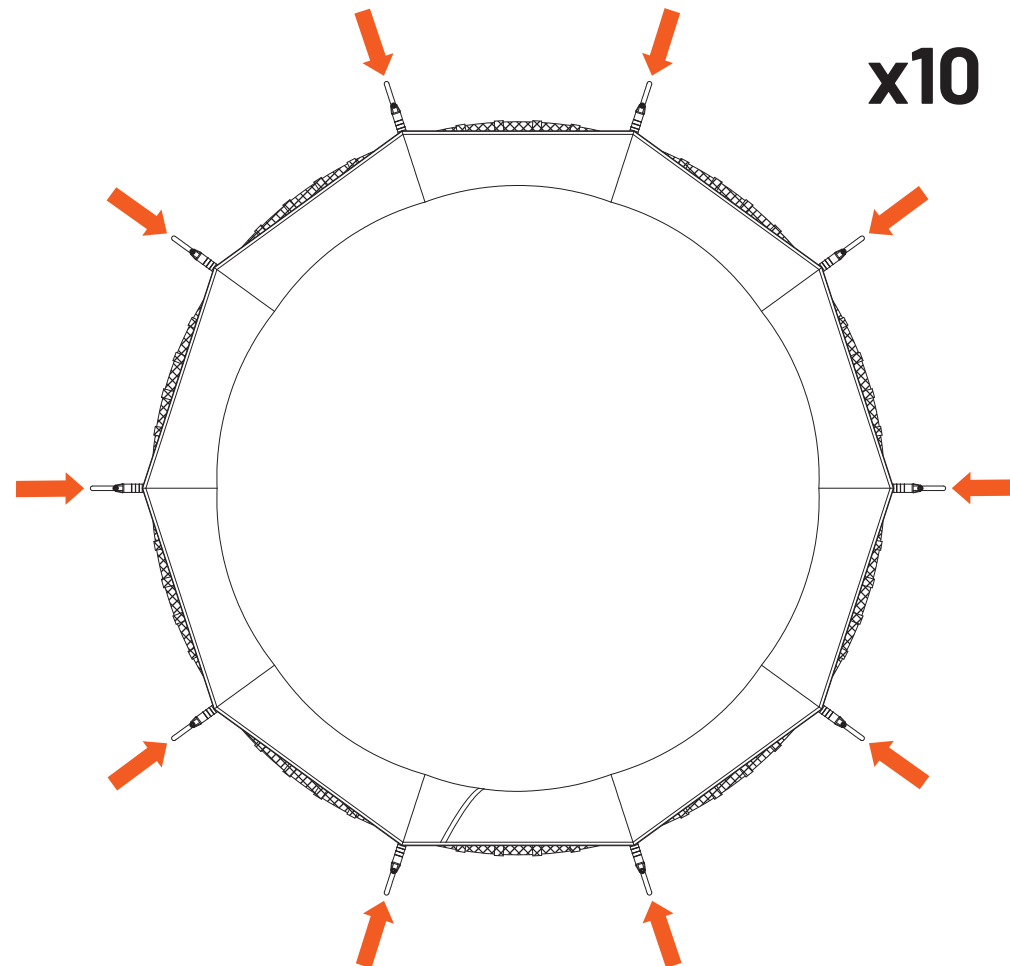
N'OUBLIEZ PAS: Assurez-vous que les **Poteaux de Filet** sont solidement fixés aux endroits indiqués, que le **Poteau de Filet** est complètement inséré dans le récepteur et que l'étiquette est tournée vers l'extérieur.

DENKEN SIE DARAN: Stellen Sie sicher, dass die **Netzstangen** an den gezeigten Stellen sicher befestigt sind, die Netzstange vollständig in die Aufnahme eingesteckt ist und das Etikett nach außen zeigt.

HERINNERING: Zorg ervoor dat de **netpalen** stevig zijn bevestigd op de aangegeven plaatsen, dat elke **netpaal** volledig in de houder is gestoken en dat het label naar buiten is gericht.



18

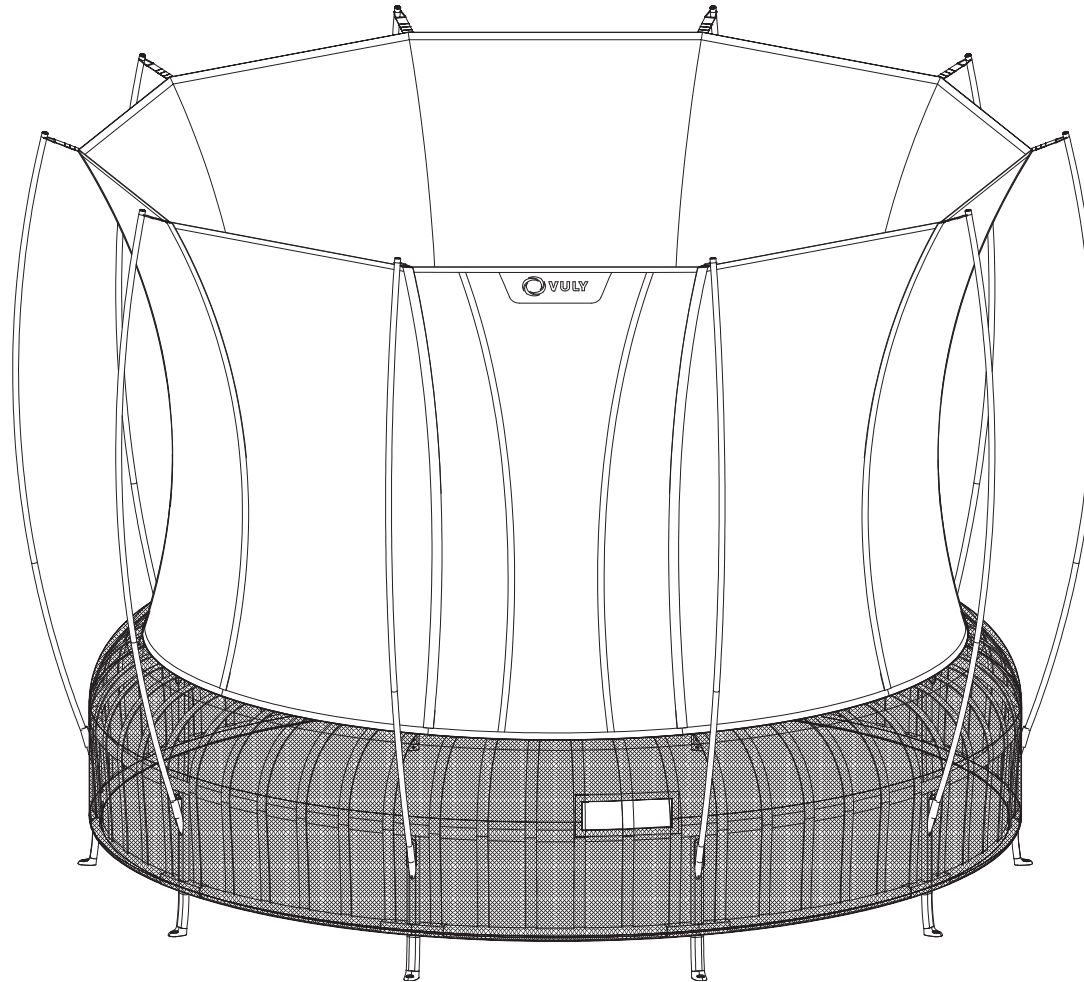


NOTE: Repeat previous step for the remaining **Net Poles**. Ensure all **Net Poles** are securely attached.

REMARQUE: Répétez l'étape précédente pour les **Poteaux de Filet** restants. Assurez-vous que tous les **Poteaux de Filet** sont solidement fixés.

HINWEIS: Wiederholen Sie den vorherigen Schritt für die restlichen **Netzstangen**. Stellen Sie sicher, dass alle **Netzstangen** sicher befestigt sind.

OPMERKING: Herhaal de vorige stap voor de resterende **netpalen** en controleer dat alle **netpalen** stevig zijn bevestigd.

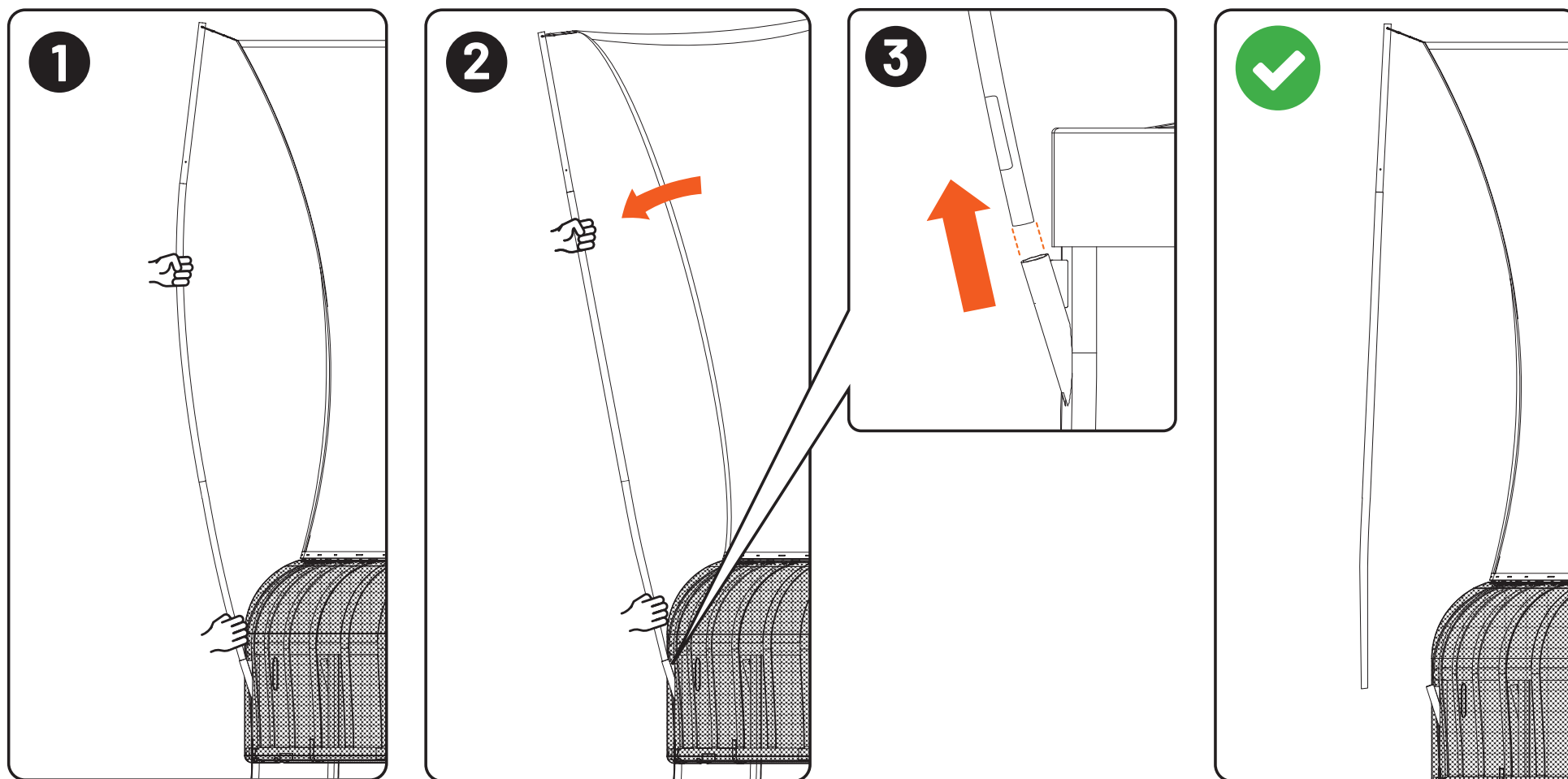


CONGRATULATIONS! / FÉLICITATIONS! / GLÜCKWUNSCH! / GEFELICITEERD!

**You have assembled your Thunder 2 Pro Trampoline!
Vous avez assemblé votre Thunder 2 Pro Trampoline!
Sie haben Ihr Thunder 2 Pro Trampolin zusammengebaut!
U heeft uw Thunder 2 Pro trampoline gemonteerd!**



NOTE: Safe Net Pole disassembly / REMARQUE: Démontage du Poteau de Filet
HINWEIS: Demontage der Netzstangen / OPMERKING: Veilig demonteren van de netpaal



WARNING! To reduce injury risk remove **Net Pole** from **Trampoline Leg** before disassembling **Net Pole**.

ATTENTION! Pour réduire le risque de blessure, retirez le **Poteau de Filet** du **Pied du Trampoline** avant de démonter le **Poteau de Filet**.

ACHTUNG! Um das Verletzungsrisiko zu verringern, entfernen Sie die **Netzstange** vom **Trampolinbein**, bevor Sie die **Netzstange** demontieren.

WAARSCHUWING! Om het risico op letsel te verminderen, verwijder u de **netpaal** van de **trampolinepoot** voordat u de **netpaal** demonteert.



6.0. Product Registration

To access the Half-Price Parts for Life programme or to lodge a Warranty Claim, customers must ensure that their Vuly Play product is registered with Vuly Play.

Customers who purchase directly from Vuly Play (through VulyPlay.com, at the Vuly Play Showroom or over the phone) automatically have their product registered.

Customers who purchase through an Authorised Reseller must register their product by visiting VulyPlay.com/Support and completing the form with a proof of purchase.

7.0. Half-price Replacement Parts (Australia only)



Vuly Play offers half-price replacement parts to all customers for the lifetime of their trampoline purchase through the Half-Price Parts for Life programme.

This programme is subject to change at any time, and it is only available to customers who have purchased either through an Authorised Reseller or directly through Vuly Play. Half-Price Parts for Life is only available to customers who wish to replace parts that are core components of their trampoline. For Ultra, these parts include:

- Springs
- Safety Padding
- Jump Mat
- Joiner Poles
- Safety Net (and components thereof)
- Net Poles
- Frame Tubes
- T-Joiners.

The programme does not extend to accessories or to Shade Cover / Tent components.

8.0. Warranty

All Vuly Play products are sold with a manufacturing warranty, which assures that the item is free of defects in workmanship and materials (“warranty”).

8.1. Warranty periods

Warranty periods do not reset for any reason, unless the customer purchases a new product. In this case, that particular item will be covered by its own warranty period. It does not affect – nor will it increase – warranty periods for other purchased items.

Warranty periods always commence from the date of item delivery, is for use under normal conditions and applies for:

Thunder 2 Pro

- 72 months [6 years] to the frame tubes
- 60 months [5 years] to the Joiner Legs
- 48 months [4 years] to the Jump Mat (excluding the print)
- 36 months [3 years] to the fiberglass net poles
- 12 months [1 years] to the Springs
- 12 months [1 year] to all other parts of a purchased trampoline – e.g. Skirt, Safety Net and steel Net Poles

Accessories

- 24 months [2 years] to the Shade Cover.
- 12 months [1 year] to purchased accessories – e.g. Mister, Deck – not received during a promotional period.

The customer may extend the standard 12-month [1 year] warranty to 36 months [3 years], if they purchase an extended warranty within 7 days of their delivery date.

8.2. Inclusions

This warranty covers manufacturing faults and defects only.

If a product is damaged or rendered unsafe as a result of a departure from its design specifications during production, this constitutes a manufacturing fault or defect.

This may occur if—for example—use of incorrect textiles during manufacturing causes a Safety Net to disintegrate, or if improper welding produces an unstable Frame.

8.3. Exclusions

8.3.1. Damage through wear and tear

This warranty does not extend to normal wear and tear of the product. This may include, but is not limited to:

- Rusting of steel components,
- UV deterioration of textile components,
- Stretching of springs.

As outdoor products that are actively used, trampolines and their accessories will experience wear and tear over time.

8.3.2. Damage through weather conditions

Damage to the product that results from weather events – such as rain or wind – are not covered under the



warranty. Vuly Play suggests that you contact your home and contents insurer if your trampoline is damaged by such events.

8.3.3. Damage through improper installation

This warranty does not extend to any failure of the product caused by installation not in accordance with the Vuly Play Manual. Customers must assemble their Vuly Play product by following carefully the Installation section of their Vuly Play Manual.

Furthermore, the warranty does not cover installation provided by a third-party assembly service. It is the customer's responsibility to check all boxes and confirm that all components are included in the correct condition before installing.

8.3.4. Damage through insufficient care or maintenance

This warranty does not extend to accelerated decay of the product caused by poor care or maintenance. It is essential that customers regularly check, and follow the advice of, the Care and Maintenance section of their Vuly Play Manual to ensure that their product lasts as long as possible.

8.3.5. Damage through inappropriate use

This warranty will be void if the product is used for any other activity besides those for which it was intended. Vuly Play products constitute recreational trampolines and accessories for such trampolines. They are not intended for use as professional, gymnastics trampolines, springboards, etc.

Any evidence that inappropriate actions have led to product failure will not be covered by the warranty. Similarly, replacement parts or repairs needed to mend such damage will not be covered under the warranty.

8.3.6. Damage through salt water proximity

This warranty (on steel components, specifically) will be reduced by 50% where the Vuly Play product is assembled within 1.6 km of a salt water environment or

where it is subject to ocean spray.

8.3.7. Personal Injury

The warranty does not cover personal injury or losses due to any of the above: wear and tear, weather conditions, inappropriate installation, insufficient care or maintenance or inappropriate use, nor does it cover damage due to negligence or accidents.

8.4. Warranty Claims

If a customer believes that a Vuly Play product is faulty or defective, they must discontinue use and submit a Warranty Claim. A customer must not attempt to use a product if any part is faulty or defective, as it may be dangerous. Any damage that the user causes as a result of using faulty or defective products will lead to voiding of the warranty.

8.4.1. Making a Warranty Claim

To fulfil a warranty claim, a customer must submit an online Warranty Claim at VulyPlay.com/Support.

Submitting the online Warranty Claim form requires the customer to provide:

- Details of their purchase – including date,
- Batch number,
- Clear photographic evidence of the manufacturing fault or defect.

If the customer does not provide all details that the form requires, their Warranty Claim will not be assessed.

Vuly Play may take up to 7 days to process Warranty Claims upon a completed submission. It may take a further 7 days for replacement parts to reach the customer.

8.4.2. Successful Warranty Claims

If Vuly Play accepts a customer's Warranty Claim, Vuly Play will replace the faulty or defective parts, not offer refunds.

Successful Warranty Claims lodged within 60 days of the delivery date:

- Vuly Play will replace the damaged parts free of charge.
- Vuly Play will also cover any costs associated with shipping the replacement part.

8.4.3. Walk-in Warranty Claims

If a customer wishes to make a Warranty Claim while on the Vuly Play premises, they must first submit an online Warranty Claim at VulyPlay.com/Support – providing all required details.

8.4.4. Refunds

If Vuly Play accepts a customer's Warranty Claim, Vuly Play will replace the faulty/defective parts or offer refunds depending on the severity of the issue.

Refunds will typically be processed within 7 days after the refund has been improved. Vuly Play provide this timeframe in good faith, we shall not be held accountable should this timeframe not be met.

8.4.5 Claiming on non-Vuly Play products

Products sold alongside Vuly Play that are not Vuly Play branded are subject to the warranties provided by the companies that supply them. The customer must contact these external companies to make a warranty claim; Vuly Play will not assess claims made against non-Vuly Play products.

8.5. Country-Specific Consumer Law Notices

In addition to the standard warranty outlined above, customers in the following countries may have additional rights under their local consumer protection laws. These rights apply only to purchases made in the respective countries.

8.5.1. Australia – Australian Consumer Law

Our goods come with guarantees that cannot be



excluded under the Australian Consumer Law (ACL).

You are entitled to:

- A replacement or refund for a major failure and for compensation for any other reasonably foreseeable loss or damage
- The goods repaired or replaced if they fail to be of acceptable quality and the failure does not amount to a major failure.

These rights apply in addition to any warranty provided by Vuly Play and do not limit your statutory rights under the ACL.

8.5.2. United States – Federal & State Consumer Laws

This warranty gives you specific legal rights, and you may also have other rights which vary from state to state.

Under the Magnuson-Moss Warranty Act, customers may be entitled to certain remedies if a product is found defective.

Vuly Play complies with all applicable U.S. consumer protection laws. Any claims must be made directly to Vuly Play, and liability is limited to the cost of repair, replacement, or refund at Vuly Play's discretion.

8.5.3. Canada – Consumer Protection Legislation

Canadian customers are protected under both federal and provincial consumer laws.

These laws may provide:

- Protection against deceptive practices
- Implied warranties of quality and fitness for purpose and
- Rights to repair, replacement, or refund for defective products.

Rights vary by province. This warranty does not limit your entitlements under the applicable Consumer Protection Acts.

8.5.4. United Kingdom – Consumer Rights Act 2015

Under the UK Consumer Rights Act 2015, you have the legal right to:

- A refund if a product is faulty within 30 days of purchase
- A repair or replacement within the first 6 months if a fault develops
- A right to a price reduction or final rejection if repair or replacement is unsuccessful.

These rights apply alongside any additional warranty provided by Vuly Play. Claims must be made to Vuly Play UK.

8.5.5. European Union – EU Consumer Rights

European Union – EU Consumer Rights

Our goods come with consumer guarantees under European Union law that cannot be excluded.

You are entitled to:

- A repair or replacement free of charge if the goods are not in conformity with the contract, as per Directive (EU) 2019/771
- A refund or price reduction if a repair or replacement is not possible, within a reasonable time, or causes significant inconvenience
- These remedies are available for up to two years from the date of delivery and apply to all consumers residing in EU member states.

If you purchased this product online or from a distance, you may also have the right to withdraw from the contract within 14 days under Directive 2011/83/EU, without giving any reason. These rights apply in addition to any warranty provided by Vuly Play and do not limit your statutory rights under EU law.

9.0. Missing parts

If a customer believes that a Vuly Play product does not include all necessary parts, they must immediately lodge a Missing Parts Claim at **VulyPlay.com/Support**.

A customer must not attempt to use a product if any part is incomplete, as it may be dangerous. Any damage that the user causes as a result of using incomplete products will lead to voiding of the warranty.

Vuly Play trampolines are delivered to Vuly Play warehouses prepackaged; we are unable to check the boxes prior to delivery to ensure that they contain all the required parts. While the missing part rate during packing is very low, some parts may also fall out in transit due to small, unintentional tears in their boxes.





6.0. Enregistrement du Produit

Pour accéder au programme « pièces à moitié prix à vie » ou déposer une réclamation au titre de la garantie, les clients doivent enregistrer leur produit Vuly.

Les clients achetant directement auprès de Vuly Play (sur VulyPlay.com, en showroom ou par téléphone) verront leur produit automatiquement enregistré.

Les clients ayant acheté via un revendeur agréé doivent enregistrer leur produit en se rendant sur VulyPlay.com/Support et en remplissant le formulaire avec une preuve d'achat.

7.0. Pièces de Rechange à Moitié Prix (Australie uniquement)



Vuly Play propose des pièces de rechange à moitié prix à tous les clients pour toute la durée de vie de leur trampoline, dans le cadre du programme « Pièces à moitié prix à vie ».

Ce programme peut être modifié à tout moment et est uniquement accessible aux clients ayant acheté leur produit soit auprès d'un revendeur agréé, soit directement auprès de Vuly Play.

Le programme « Pièces à moitié prix à vie » est réservé aux clients souhaitant remplacer des pièces considérées comme essentielles au bon fonctionnement de leur trampoline.

Pour le modèle Ultra, les pièces couvertes incluent:

- Ressorts
- Tapis de saut
- Pieds de jonction
- Filet de sécurité (et ses composants)
- Poteaux du filet
- Tubes de cadre
- Jupe.

Ce programme ne s'applique pas aux accessoires ni aux composants de la toile d'ombrage ou de la tente.

8.0. Garantie

Tous les produits Vuly Play sont vendus avec une garantie de fabrication, qui certifie que l'article est exempt de défauts de fabrication et de matériaux (« garantie »).

8.1. Durées de garantie

Les périodes de garantie ne sont pas renouvelées, sauf en cas d'achat d'un nouveau produit. Ce nouveau produit sera alors couvert par sa propre garantie.

Cela n'a aucune incidence sur la durée de garantie des autres articles achetés.

Les périodes de garantie commencent toujours à la date de livraison de l'article, s'appliquent dans le cadre d'une utilisation normale, et couvrent:

Thunder 2 Pro

- 72 mois [6 ans] pour les tubes du cadre
- 60 mois [5 ans] pour les pieds de jonction
- 48 mois [4 ans] pour le tapis de saut (hors impression)
- 36 mois [3 ans] pour les poteaux en fibre de verre du filet

- 12 mois [1 an] pour les ressorts
- 12 mois [1 an] pour toutes les autres pièces du
- Trampoline acheté – par exemple la jupe, le filet de sécurité et les poteaux du filet en acier.

Accessoires

- 24 mois [2 ans] pour la couverture d'ombrage
- 12 mois [1 an] pour les accessoires achetés – par exemple le brumisateur ou la plate-forme – hors période promotionnelle.

Le client peut prolonger la garantie standard de 12 mois [1 an] à 36 mois [3 ans] en achetant une garantie prolongée dans les 7 jours suivant la livraison.

8.2. Inclusions

Cette garantie couvre uniquement les défauts de fabrication.

Par exemple, elle s'applique si l'utilisation de textiles inadaptés provoque la désintégration d'un filet de sécurité, ou si une mauvaise soudure rend la structure instable.

8.3. Exclusions

8.3.1. Dommages dus à l'usure normale

La garantie ne couvre pas l'usure liée à un usage régulier, notamment:

- La rouille des composants en acier
- La dégradation des textiles due aux UV
- L'allongement des ressorts.

Les trampolines et leurs accessoires sont des produits d'extérieur soumis à une usure naturelle au fil du temps.

8.3.2. Dommages causés par les conditions météorologiques

Tout dommage lié aux intempéries – comme le vent ou la pluie – n'est pas couvert par la garantie.



Vuly Play recommande de faire appel à votre assurance habitation si votre trampoline est endommagé dans de telles circonstances.

8.3.3. Dommages dus à une mauvaise installation

Tout défaut lié à une installation non conforme au manuel Vuly est exclu de la garantie.

Les clients doivent assembler leur produit en suivant scrupuleusement les instructions de la section « Installation ».

De plus, la garantie ne s'applique pas aux installations effectuées par des prestataires tiers.

Il appartient au client de vérifier que toutes les boîtes contiennent les composants requis, et que ceux-ci sont en bon état avant de commencer l'assemblage.

8.3.4. Dommages dus à un manque d'entretien ou de soin

Une dégradation causée par un entretien insuffisant n'est pas couverte.

Les clients doivent entretenir régulièrement leur produit selon les instructions de la section « Entretien et maintenance » pour garantir sa durabilité.

8.3.5. Dommages dus à une utilisation inappropriée

La garantie sera annulée si le produit est utilisé à des fins autres que celles prévues.

Les produits Vuly Play sont conçus pour un usage récréatif uniquement. Ils ne doivent pas être utilisés à des fins professionnelles, comme trampolines de gymnastique ou comme tremplins.

Toute preuve d'une mauvaise utilisation rendant le produit défectueux entraînera l'exclusion de la garantie, y compris les réparations ou remplacements associés.

8.3.6. Dommages dus à la proximité de l'eau salée

Pour les composants en acier, la garantie sera réduite de 50 % si le produit est installé à moins de 1,6 km de la mer ou exposé aux embruns.

8.3.7. Blessures corporelles

La garantie ne couvre aucune blessure ni aucun dommage corporel résultant des cas exclus ci-dessus : usure, intempéries, mauvaise installation, entretien négligé ou usage inadapté.

Elle ne couvre pas non plus les accidents ni les cas de négligence.

8.4. Réclamations au titre de la garantie

Si un client estime qu'un produit Vuly Play est défectueux, il doit immédiatement cesser de l'utiliser et soumettre une réclamation au titre de la garantie.

Un client ne doit en aucun cas utiliser un produit présentant une pièce défectueuse, car cela pourrait être dangereux. Tout dommage résultant de l'utilisation d'un produit défectueux annulera la garantie.

8.4.1. Déposer une réclamation au titre de la garantie

Pour faire valoir une réclamation, le client doit la soumettre en ligne sur le site [VulyPlay.com/Support](https://www.vulyplay.com/support).

- Le formulaire en ligne exige que le client fournisse
- Les détails de son achat – y compris la date
- Le numéro de lot
- Une preuve photographique claire du défaut ou vice de fabrication.

Si le client ne fournit pas toutes les informations requises, la réclamation ne sera pas examinée.

Vuly Play peut prendre jusqu'à 7 jours pour traiter une demande complète. Il peut ensuite falloir jusqu'à 7 jours supplémentaires pour la livraison des pièces de rechange.

8.4.2. Réclamations acceptées

Si Vuly Play accepte une réclamation, les pièces défectueuses seront remplacées ou un remboursement pourra être proposé selon la gravité du problème.

Réclamations déposées dans les 60 jours suivant la date de livraison:

- Vuly Play remplacera gratuitement les pièces endommagées et prendra en charge les frais d'expédition des pièces de rechange.

8.4.3. Réclamations sur place

Si un client souhaite déposer une réclamation en personne dans les locaux de Vuly, il doit d'abord la soumettre en ligne via [VulyPlay.com/Support](https://www.vulyplay.com/support) en fournissant tous les renseignements requis.

8.4.4. Remboursements

Si Vuly Play accepte une réclamation, les pièces défectueuses seront remplacées ou un remboursement sera proposé selon la gravité du problème.

Les remboursements sont généralement traités dans un délai de 7 jours après approbation. Ce délai est donné à titre indicatif et Vuly Play ne pourra être tenu responsable en cas de dépassement.

8.4.5. Réclamations concernant des produits non-Vuly Play

Les produits vendus avec des articles Vuly Play mais ne portant pas la marque Vuly Play sont soumis aux garanties de leurs fabricants respectifs.

Le client doit contacter directement ces fournisseurs pour toute réclamation. Vuly n'évaluera pas les demandes concernant des produits non-Vuly Play.

8.5. Législation nationale sur la protection des consommateurs

Outre la garantie standard décrite ci-dessus, les clients des pays suivants peuvent bénéficier de droits supplémentaires en vertu des lois locales de protection des consommateurs.

Ces droits s'appliquent uniquement aux achats effectués dans les pays concernés.



8.5.1. Australie – Loi australienne sur la consommation (ACL)

Nos produits bénéficient de garanties légales qui ne peuvent être exclues en vertu de l'ACL. Vous avez droit à :

- un remplacement ou un remboursement en cas de défaillance majeure, ainsi qu'à une indemnisation pour toute autre perte ou tout autre dommage raisonnablement prévisible
- une réparation ou un remplacement si le produit ne répond pas aux critères de qualité attendus et que la défaillance ne constitue pas un défaut majeur.

Ces droits s'ajoutent à toute garantie offerte par Vuly Play et ne limitent en rien vos droits légaux en vertu de l'ACL.

8.5.2. États-Unis – Lois fédérales et étatiques

Cette garantie vous accorde certains droits légaux, qui peuvent varier d'un État à l'autre.

En vertu de la Magnuson-Moss Warranty Act, les clients peuvent bénéficier de recours spécifiques si un produit est jugé défectueux.

Vuly Play respecte toutes les lois fédérales et étatiques en vigueur en matière de protection des consommateurs.

Toute réclamation doit être adressée directement à Vuly Play.

La responsabilité de Vuly est limitée à la réparation, au remplacement ou au remboursement, à sa seule discrétion.

8.5.3. Canada – Législation sur la protection des consommateurs

Les clients canadiens sont protégés par des lois fédérales et provinciales sur la protection des consommateurs.

Ces lois peuvent inclure :

- une protection contre les pratiques

commerciales trompeuses

- des garanties implicites de qualité et de conformité à l'usage prévu
- des droits à la réparation, au remplacement ou au remboursement en cas de défaut.

Les droits peuvent varier selon la province.

Cette garantie ne limite pas les droits dont vous bénéficiez en vertu des lois sur la protection des consommateurs applicables.

8.5.4. Royaume-Uni – Consumer Rights Act 2015

Conformément à la loi britannique Consumer Rights Act 2015, vous disposez des droits légaux suivants :

- obtenir un remboursement si un produit est défectueux dans les 30 jours suivant l'achat
- obtenir une réparation ou un remplacement dans les 6 premiers mois si un défaut survient
- bénéficier d'une réduction de prix ou d'un refus définitif si la réparation ou le remplacement est infructueux.

Ces droits s'ajoutent à toute garantie offerte par Vuly Play. Les réclamations doivent être adressées à Vuly Play UK.

8.5.5. Union européenne – Droits des consommateurs de l'UE

Nos produits sont assortis de garanties légales en vertu du droit de l'Union européenne, qui ne peuvent être exclues.

Vous avez droit à :

- Une réparation ou un remplacement gratuits si les biens ne sont pas conformes au contrat, conformément à la directive (UE) 2019/771.
- Un remboursement ou une réduction de prix si une réparation ou un remplacement n'est pas effectué dans un délai raisonnable ou entraîne un inconvénient important.
- Ces recours sont valables pendant une période allant

jusqu'à deux ans à compter de la date de livraison et s'appliquent à tous les consommateurs résidant dans les États membres de l'UE.

Si vous avez acheté ce produit en ligne ou à distance, vous pouvez également exercer votre droit de rétractation dans un délai de 14 jours, conformément à la directive 2011/83/UE, sans avoir à en justifier la raison. Ces droits s'appliquent en plus de toute garantie fournie par Vuly Play et ne limitent en rien vos droits légaux en vertu du droit de l'Union européenne.

9.0. Pièces Manquantes

Si un client estime qu'un produit Vuly Play est incomplet, il doit immédiatement soumettre une demande de pièces manquantes via vulyplay.com/support.

Un client ne doit pas utiliser un produit si des pièces manquent, car cela pourrait s'avérer dangereux. Tout dommage résultant de l'utilisation d'un produit incomplet entraînera l'annulation de la garantie.

Les produits Vuly Play sont préemballés avant d'être livrés dans les entrepôts Vuly. Il ne nous est pas possible de vérifier le contenu des boîtes avant expédition.

Bien que le taux de pièces manquantes soit extrêmement faible, certaines peuvent se détacher pendant le transport à la suite de déchirures accidentelles dans l'emballage.

Consultez vulyplay.com/terms pour accéder à la version la plus récente des politiques, conditions générales et garanties de Vuly Play.





6.0. Produktregistrierung

Um am Vuly Play-Programm „Ersatzteile zum halben Preis – ein Leben lang“ teilzunehmen oder Garantieansprüche geltend zu machen, müssen Kunden ihr Produkt registrieren.

Käufe direkt über Vuly Play (Website, Showroom, Telefon) werden automatisch registriert.

Kunden, die über autorisierte Händler kaufen, müssen ihr Produkt auf VulyPlay.com/Support registrieren und einen Kaufnachweis einreichen.

7.0. Ersatzteile zum halben Preis (nur Australien)



Vuly bietet allen Kunden für die gesamte Lebensdauer ihres Trampolins Ersatzteile zum halben Preis im Rahmen des Programms „Ersatzteile zum halben Preis – ein Leben lang“ an.

Dieses Programm kann jederzeit geändert werden und steht nur Kunden zur Verfügung, die entweder über einen autorisierten Händler oder direkt bei Vuly Play gekauft haben.

Das Programm „Ersatzteile zum halben Preis – ein Leben lang“ gilt ausschließlich für Kunden, die Teile ersetzen möchten, die als zentrale Komponenten ihres

Trampolins gelten.

Für das Thunder Pro umfasst dies folgende Teile:

- Federn
- Sprungtuch
- Verbindungsfüße
- Sicherheitsnetz (und zugehörige Komponenten)
- Netzstangen
- Rahmenteile
- Schutzrock.

Das Programm gilt nicht für Zubehörteile oder für Bestandteile des Sonnendachs / Zelts.

8.0. Garantie

Alle Vuly Play-Produkte werden mit einer Herstellergarantie verkauft, die bestätigt, dass das Produkt frei von Material- und Verarbeitungsfehlern ist („Garantie“).

Für Garantieansprüche, Produktregistrierung oder Support wenden Sie sich bitte an die Vuly Play-Niederlassung in Ihrem Land.

Siehe: www.vulyplay.com/support

8.1. Garantiefristen

Garantiefristen beginnen immer mit dem Lieferdatum des Produkts und werden unter keinen Umständen zurückgesetzt – es sei denn, der Kunde erwirbt ein neues Produkt. In diesem Fall gilt die neue Garantiefrist ausschließlich für diesen Artikel.

Die Garantie hat keinen Einfluss auf – und verlängert nicht – die Garantiefristen anderer gekaufter Produkte.

Diese Garantie gilt bei sachgemäßer Nutzung unter normalen Bedingungen und umfasst Folgendes:

Thunder 2 Pro

- 72 Monate [6 Jahre] auf die Rahmentuben
- 60 Monate [5 Jahre] auf die Verbindungselemente

- (Joiner Legs)
- 48 Monate [4 Jahre] auf die Sprungmatte (ohne Aufdruck)
- 36 Monate [3 Jahre] auf die Fiberglas-Netzpfosten
- 12 Monate [1 Jahr] auf die Federn
- 12 Monate [1 Jahr] auf alle anderen Teile des gekauften
- Trampolins – z. B. Rocksirt, Sicherheitsnetz und Netzpfosten aus Stahl.

Zubehör

- 24 Monate [2 Jahre] auf die Schattenschutzabdeckung
- 12 Monate [1 Jahr] auf gekauftes Zubehör – z. B. Mister, Plattform – sofern nicht während einer Werbeaktion erhalten.

Der Kunde kann die Standardgarantie von 12 Monaten [1 Jahr] auf 36 Monate [3 Jahre] verlängern, wenn er eine erweiterte Garantie innerhalb von 7 Tagen nach dem Lieferdatum kauft.

8.2. Eingeschlossene Leistungen

Diese Garantie deckt ausschließlich Herstellungsfehler und -mängel ab. Wenn ein Produkt beschädigt wird oder unsicher ist, weil es während der Produktion von den Designspezifikationen abgewichen ist, gilt dies als Herstellungsfehler oder -mangel. Dies kann z. B. der Fall sein, wenn die Verwendung falscher Textilien bei der Herstellung dazu führt, dass ein Sicherheitsnetz zerfällt, oder wenn eine fehlerhafte Schweißnaht den Rahmen instabil macht.

8.3. Ausschlüsse

8.3.1. Schäden durch normale Abnutzung

Diese Garantie gilt nicht für normale Abnutzung des Produkts. Dazu gehören unter anderem:

- Rost an Stahlkomponenten
- UV-bedingte Verschlechterung

von Textilkomponenten

- Ausdehnung bzw. Dehnung der Federn.

Da es sich um Outdoor-Produkte handelt, die aktiv genutzt werden, unterliegen Trampoline und deren Zubehör mit der Zeit einem natürlichen Verschleiß.

8.3.2. Schäden durch Witterungseinflüsse

Schäden am Produkt, die durch Wetterereignisse – wie Regen oder Wind – verursacht werden, sind nicht durch die Garantie abgedeckt. Vuly Play empfiehlt, in solchen Fällen Ihre Hausratversicherung zu kontaktieren.

8.3.3. Schäden durch unsachgemäße Installation

Diese Garantie deckt keine Schäden ab, die durch eine Installation verursacht wurden, die nicht gemäß dem Vuly Play-Handbuch erfolgt ist. Kunden müssen ihr Vuly Play-Produkt unter strikter Beachtung des Installationsabschnitts im Vuly Play-Handbuch aufbauen.

Darüber hinaus gilt die Garantie nicht für Installationen, die von einem externen Montageservice durchgeführt wurden.

Es liegt in der Verantwortung des Kunden, alle Kartons zu überprüfen und sicherzustellen, dass alle Komponenten vollständig und in einwandfreiem Zustand sind, bevor mit der Installation begonnen wird.

8.3.4. Schäden durch unzureichende Pflege oder Wartung

Diese Garantie gilt nicht für Schäden, die durch mangelhafte Pflege oder Wartung verursacht werden. Es ist unerlässlich, dass Kunden ihr Produkt regelmäßig überprüfen und die Empfehlungen im Abschnitt „Pflege und Wartung“ des Vuly Play-Handbuchs befolgen, um die Lebensdauer ihres Trampolins zu maximieren.

8.3.5. Schäden durch unsachgemäße Nutzung

Die Garantie erlischt, wenn das Produkt für eine andere Aktivität als die vorgesehene verwendet wird. Vuly Play-Produkte sind Freizeitsporttrampoline und Zubehör für diese Trampoline. Sie sind nicht für den professionellen

Einsatz, als Gymnastiktrampoline oder als Sprungbretter etc. vorgesehen.

Nachweise, dass unsachgemäßer Gebrauch zu einem Produktausfall geführt hat, werden nicht durch die Garantie abgedeckt. Ebenso werden Ersatzteile oder Reparaturen infolge solcher Schäden nicht übernommen.

8.3.6. Schäden durch Nähe zu Salzwasser

Diese Garantie (insbesondere für Stahlteile) wird um 50 % reduziert, wenn das Vuly Play-Produkt innerhalb von 1,6 km von einer Salzwasserumgebung aufgestellt oder Meeressprühnebel ausgesetzt wird.

8.3.7. Körperverletzung

Die Garantie deckt keine Personenschäden oder Verluste ab, die auf eine der oben genannten Ursachen zurückzuführen sind: Abnutzung, Witterungseinflüsse, unsachgemäße Installation, unzureichende Pflege oder unsachgemäße Nutzung. Sie deckt auch keine Schäden ab, die durch Fahrlässigkeit oder Unfälle entstehen.

8.4. Garantieansprüche

Wenn ein Kunde der Ansicht ist, dass ein Produkt von Vuly Play mangelhaft ist, muss die Nutzung sofort eingestellt und ein Garantieanspruch eingereicht werden.

Ein Produkt mit einem erkennbaren Mangel darf unter keinen Umständen weiterverwendet werden, da dies ein Sicherheitsrisiko darstellen kann.

Jegliche Schäden, die durch die weitere Nutzung eines defekten Produkts entstehen, führen zum Erlöschen der Garantie.

8.4.1. Einreichen eines Garantieanspruchs

Um einen Garantieanspruch geltend zu machen, muss der Kunde das Onlineformular unter [VulyPlay.com/support](https://vulyplay.com/support) ausfüllen.

Das Formular erfordert die folgenden Angaben:

- Kaufdetails – einschließlich des Kaufdatums

- die Chargennummer
- deutliche fotografische Nachweise des Mangels oder Produktionsfehlers.

Fehlen eine oder mehrere dieser Angaben, wird die Reklamation nicht bearbeitet.

Vuly Play kann bis zu 7 Tage benötigen, um eine vollständige Garantieanfrage zu prüfen.

Nach erfolgreicher Bearbeitung kann es bis zu weitere 7 Tage dauern, bis Ersatzteile beim Kunden eintreffen.

8.4.2. Anerkannte Garantieansprüche

Wird ein Garantieanspruch von Vuly Play akzeptiert, ersetzt das Unternehmen die defekten Teile kostenfrei oder bietet – je nach Art und Umfang des Mangels – eine Rückerstattung an.

Erfolgreiche Garantieansprüche nach Ablauf von 60 Tagen nach der Lieferung:

- Die beschädigten Teile werden weiterhin kostenlos ersetzt.
- Der Kunde trägt jedoch die Versandkosten für die Ersatzteile selbst.

8.4.3. Persönliche Garantieansprüche

Möchte ein Kunde seinen Garantieanspruch persönlich vor Ort bei Vuly Play geltend machen, muss zuvor zwingend eine vollständige Online-Garantieanfrage auf vulyplay.com/support eingereicht werden

8.4.4. Rückerstattungen

Wenn Vuly Play einen Garantieanspruch anerkennt, werden die fehlerhaften Teile ersetzt oder eine Rückerstattung angeboten – je nach Schwere des Mangels.

Rückerstattungen werden in der Regel innerhalb von 7 Tagen nach Genehmigung abgewickelt. Vuly Play gibt diesen Zeitraum nach bestem Wissen und Gewissen an, übernimmt jedoch keine Haftung, falls er nicht eingehalten wird.



8.4.5. Garantieansprüche für Nicht-Vuly Play-Produkte

Für Produkte, die gemeinsam mit Vuly Play-Produkten verkauft, aber nicht von Vuly Play hergestellt wurden, gelten die Garantiebestimmungen des jeweiligen Herstellers.

In solchen Fällen muss sich der Kunde direkt an das jeweilige Drittunternehmen wenden.

Vuly Play prüft keine Garantieansprüche für Produkte, die nicht von Vuly Play selbst stammen.

8.5. Länderspezifisches Verbraucherschutzrecht

Zusätzlich zur oben beschriebenen Standardgarantie können Kunden in den folgenden Ländern weitere Rechte gemäß ihren lokalen Verbraucherschutzgesetzen haben.

Diese Rechte gelten ausschließlich für Käufe, die in diesen Ländern getätigt wurden.

8.5.1. Australien – Australisches Verbraucherschutzgesetz (ACL)

Unsere Produkte unterliegen Garantien, die gemäß dem australischen Verbraucherschutzgesetz (Australian Consumer Law – ACL) nicht ausgeschlossen werden können.

Kunden haben Anspruch auf:

- Ersatz oder Rückerstattung bei einem schwerwiegenden Defekt sowie auf Entschädigung für andere vernünftigerweise vorhersehbare Verluste oder Schäden
- Reparatur oder Ersatz, wenn das Produkt nicht von akzeptabler Qualität ist und der Defekt nicht als schwerwiegend gilt.

Diese Rechte bestehen zusätzlich zu jeder von Vuly Play gewährten Garantie und schränken die gesetzlichen Ansprüche gemäß der ACL in keiner Weise ein.

8.5.2. Vereinigte Staaten – Bundes- und einzelstaatliches Verbraucherschutzrecht

Diese Garantie gewährt bestimmte gesetzliche Rechte; je nach Bundesstaat können darüber hinaus weitere Rechte bestehen.

Nach dem Magnuson-Moss Warranty Act können Kunden unter bestimmten Voraussetzungen rechtliche Schritte einleiten, wenn ein Produkt als mangelhaft gilt.

Vuly Play erfüllt sämtliche anwendbaren US-Verbraucherschutzgesetze.

Reklamationen müssen direkt an Vuly Play gerichtet werden. Die Haftung ist auf Reparatur, Ersatz oder Rückerstattung beschränkt – nach Ermessen von Vuly Play.

8.5.3. Kanada – Verbraucherschutzgesetz

Kanadische Kunden sind durch Bundes- und Provinzgesetze zum Verbraucherschutz abgesichert.

Diese Gesetze beinhalten unter anderem:

- Schutz vor irreführenden Geschäftspraktiken,
- Implizite Garantien für Qualität und Eignung,
- Rechte auf Reparatur, Ersatz oder Rückerstattung bei mangelhaften Produkten.

Die genauen Rechte können je nach Provinz unterschiedlich ausfallen. Diese Garantie schränkt keine gesetzlichen Ansprüche gemäß den geltenden Verbraucherschutzgesetzen ein.

8.5.4. Vereinigtes Königreich – Consumer Rights Act 2015

Gemäß dem britischen Consumer Rights Act 2015 haben Kunden folgende gesetzliche Rechte:

- Anspruch auf Rückerstattung, wenn ein Produkt innerhalb von 30 Tagen nach dem Kauf mangelhaft ist
- Anspruch auf Reparatur oder Ersatz innerhalb der ersten 6 Monate, wenn ein Defekt auftritt

- Anspruch auf Preisnachlass oder Rückgabe, falls Reparatur oder Ersatz nicht erfolgreich sind.

Diese Rechte gelten zusätzlich zu den von Vuly Play gewährten Garantien. Reklamationen sind direkt an Vuly Play UK zu richten.

8.5.5. Europäische Union – EU-Verbraucherrechte

Unsere Waren unterliegen den gesetzlichen Verbraucherschutzgarantien nach dem Recht der Europäischen Union, die nicht ausgeschlossen werden können.

Sie haben Anspruch auf:

- Kostenlose Reparatur oder kostenlosen Ersatz, wenn die Ware nicht vertragsgemäß ist, gemäß Richtlinie (EU) 2019/771.
- Rückerstattung oder Preisminderung, wenn eine Reparatur oder ein Ersatz nicht möglich ist, nicht innerhalb der angemessenen Frist erfolgt oder erhebliche Unannehmlichkeiten verursacht.

Diese Rechtsmittel stehen Ihnen bis zu zwei Jahre ab dem Lieferdatum zur Verfügung und gelten für alle Verbraucher mit Wohnsitz in EU-Mitgliedstaaten.

Wenn Sie dieses Produkt online oder im Fernabsatz gekauft haben, haben Sie außerdem das Recht, gemäß Richtlinie 2011/83/EU innerhalb von 14 Tagen ohne Angabe von Gründen vom Vertrag zurückzutreten.

Diese Rechte gelten zusätzlich zu etwaigen von Vuly Play gewährten Garantien und schränken Ihre gesetzlichen Rechte nach EU-Recht nicht ein.

9.0. Fehlende Teile

Wenn ein Kunde der Meinung ist, dass ein Vuly-Play-Produkt nicht alle erforderlichen Teile enthält, muss unverzüglich eine Meldung über fehlende Teile unter [vulyplay.com/support](https://www.vulyplay.com/support) eingereicht werden.

Ein Produkt darf nicht verwendet werden, wenn es unvollständig ist, da dies gefährlich sein kann.



Schäden, die durch die Nutzung unvollständiger Produkte entstehen, führen zum Erlöschen der Garantie.

Vuly-Play-Produkte werden vor der Auslieferung in den Lagern von Vuly Play vorkonfektioniert verpackt; es ist daher nicht möglich, die Kartons vor dem Versand zu überprüfen.

Obwohl die Wahrscheinlichkeit fehlender Teile sehr gering ist, kann es während des Transports vorkommen, dass durch kleine Risse in der Verpackung Teile verloren gehen.



6.0. Productregistratie

Om toegang te krijgen tot het Half-Price Parts for Life-programma of om een garantieclaim in te dienen, moeten klanten ervoor zorgen dat hun Vuly Play-product is geregistreerd bij Vuly Play.

Klanten die rechtstreeks bij Vuly Play kopen (via VulyPlay.com, in de Vuly Play-showroom of telefonisch) hebben hun product automatisch geregistreerd.

Klanten die via een erkende reseller kopen, moeten hun product registreren door VulyPlay.com/Support te bezoeken en het formulier in te vullen met een aankoopbewijs.

7.0. Reserveonderdelen tegen halve prijs (alleen Australië)



Vuly Play biedt alle klanten gedurende de levensduur van hun trampolineaankoop reserveonderdelen tegen halve prijs via het Half-Price Parts for Life-programma.

Dit programma kan op elk moment worden gewijzigd en is alleen beschikbaar voor klanten die hebben gekocht via een erkende reseller of rechtstreeks via Vuly Play. Half-Price Parts for Life is uitsluitend beschikbaar voor klanten die onderdelen willen vervangen die

kerncomponenten van hun trampoline vormen. Voor Ultra omvatten deze onderdelen:

- Veren
- Veiligheidskussens
- Springmat
- Verbindingspalen
- Veiligheidsnet (en bijbehorende onderdelen)
- Netpalen
- Framebuizen
- T-verbindingen.

Het programma geldt niet voor accessoires of voor onderdelen van de schaduwhoes/tent.

8.0. Garantie

Alle Vuly Play-producten worden verkocht met een fabrieksgarantie, die verzekert dat het product vrij is van gebreken in vakmanschap en materiaal ("garantie").

8.1. Garantieperiode

Garantieperiodes worden om geen enkele reden opnieuw ingesteld, tenzij de klant een nieuw product aanschaft. In dat geval wordt dat specifieke artikel gedekt door zijn eigen garantieperiode. Dit heeft geen invloed op – en verlengt ook niet – de garantieperiodes van andere aangeschafte artikelen.

Garantieperiodes gaan altijd in op de leveringsdatum van het artikel, gelden bij gebruik onder normale omstandigheden en zijn als volgt van toepassing:

Thunder 2 Pro

- 72 maanden [6 jaar] op de framebuizen
- 60 maanden [5 jaar] op de verbindingspoten
- 48 maanden [4 jaar] op de springmat (exclusief de opdruk)
- 36 maanden [3 jaar] op de glasvezel netpalen
- 12 maanden [1 jaar] op de veren

- 12 maanden [1 jaar] op alle overige onderdelen van een aangeschafte trampoline – bijv. rok, veiligheidsnet en stalen netpalen

Accessoires

- 24 maanden [2 jaar] op de schaduwhoes
- 12 maanden [1 jaar] op aangeschafte accessoires – bijv. Mister, Deck – niet ontvangen tijdens een promotieperiode.

De klant kan de standaardgarantie van 12 maanden [1 jaar] verlengen tot 36 maanden [3 jaar], mits hij binnen 7 dagen na de leveringsdatum een verlengde garantie aanschaft.

8.2. Inbegrepen

Deze garantie dekt uitsluitend fabricagefouten en-gebreken.

Als een product beschadigd raakt of onveilig wordt als gevolg van een afwijking van de ontwerpspecificaties tijdens de productie, geldt dit als een fabricagefout of gebrek.

Dit kan zich bijvoorbeeld voordoen wanneer het gebruik van onjuist textiel tijdens de productie ertoe leidt dat een veiligheidsnet uit elkaar valt, of wanneer onjuiste lastechnieken een instabiel frame veroorzaken.

8.3. Uitsluitingen

8.3.1. Schade door slijtage

Deze garantie strekt zich niet uit tot normale slijtage van het product. Dit kan omvatten, maar is niet beperkt tot:

- Roest van stalen onderdelen
- UV-verslijting van textielonderdelen
- Uittrekkingen van veren.

Aangezien trampolines en hun accessoires buitenproducten zijn die actief worden gebruikt, zullen zij in de loop van de tijd slijtage vertonen.

8.3.2. Schade door weersomstandigheden

Schade aan het product die het gevolg is van weersomstandigheden – zoals regen of wind – valt niet onder de garantie. Vuly Play raadt aan contact op te nemen met uw inboedelverzekeraar als uw trampoline door dergelijke omstandigheden wordt beschadigd.

8.3.3. Schade door onjuiste installatie

Deze garantie strekt zich niet uit tot enig defect van het product dat is veroorzaakt door installatie die niet in overeenstemming is met de Vuly Play-handleiding. U moet uw Vuly Play-product zorgvuldig monteren volgens de sectie Installatie van de handleiding.

Daarnaast dekt de garantie geen installatie die wordt uitgevoerd door een externe montageservice. Het is de verantwoordelijkheid van de klant om alle dozen te controleren en te bevestigen dat alle onderdelen aanwezig zijn en in de juiste staat verkeren vóór de installatie.

8.3.4. Schade door onvoldoende zorg of onderhoud

Deze garantie strekt zich niet uit tot versnelde slijtage van het product die wordt veroorzaakt door gebrekkige zorg of onderhoud. Het is essentieel dat u regelmatig controleert en het advies opvolgt uit de sectie Onderhoud en Verzorging van hun handleiding om ervoor te zorgen dat het product zo lang mogelijk meegaat.

8.3.5. Schade door onoordeelkundig gebruik

Deze garantie vervalt indien het product wordt gebruikt voor een andere activiteit dan waarvoor het bedoeld is. Vuly Play-producten zijn recreatieve trampolines en accessoires voor dergelijke trampolines. Zij zijn niet bedoeld voor gebruik als professionele gymnastiektrampolines, springplanken, enz. Bewijs dat onoordeelkundig gebruik heeft geleid tot defecten, valt niet onder de garantie. Evenmin vallen vervangende onderdelen of reparaties die nodig zijn om dergelijke schade te herstellen onder de garantie.

8.3.6. Schade door nabijheid van zout water

Deze garantie (op stalen onderdelen, specifiek) wordt met 50% verminderd wanneer het Vuly Play-product wordt gemonteerd binnen 1,6 km van een zoutwateromgeving of wanneer het wordt blootgesteld aan zeewaternevel.

8.3.7. Persoonlijk letsel

De garantie dekt geen persoonlijk letsel of verliezen als gevolg van een van de bovenstaande gevallen: slijtage, weersomstandigheden, onjuiste installatie, onvoldoende zorg of onderhoud of onoordeelkundig gebruik. Ook schade door nalatigheid of ongelukken valt niet onder de garantie.

8.4. Garantieclaims

Als een klant van mening is dat een Vuly Play-product gebrekkig of defect is, moet hij het gebruik stopzetten en een garantieclaim indienen. Een klant mag een product niet gebruiken als een onderdeel gebrekkig of defect is, omdat dit gevaarlijk kan zijn. Schade die de gebruiker veroorzaakt door het gebruik van gebrekkige of defecte producten leidt tot verval van de garantie.

8.4.1. Indienen van een garantieclaim

Om een garantieclaim in te dienen, moet de klant online een garantieclaim indienen via VulyPlay.com/Support.

Het indienen van het online garantieclaimformulier vereist dat de klant de volgende gegevens verstrekt:

- Details van de aankoop – inclusief datum
- Batchnummer
- Duidelijk fotografisch bewijs van de fabricagefout of het gebrek.

Als de klant niet alle gegevens verstrekt die het formulier vereist, wordt de garantieclaim niet in behandeling genomen.

Vuly Play kan tot 7 dagen nodig hebben om garantieclaims te verwerken na een volledige indiening. Het kan nog eens 7 dagen duren voordat vervangende

onderdelen de klant bereiken.

8.4.2. Succesvolle garantieclaims

Als Vuly Play een garantieclaim van een klant accepteert, zal Vuly Play de gebrekkige of defecte onderdelen vervangen, maar geen terugbetalingen aanbieden.

Succesvolle garantieclaims die binnen 60 dagen na de leveringsdatum worden ingediend:

- Vuly Play zal de beschadigde onderdelen kosteloos vervangen
- Vuly Play zal ook alle kosten dekken die verband houden met de verzending van het vervangende onderdeel.

8.4.3. Garantieclaims op locatie

Als een klant een garantieclaim wil indienen terwijl hij zich op het terrein van Vuly Play bevindt, moet hij eerst online een garantieclaim indienen via VulyPlay.com/Support – met alle vereiste gegevens.

8.4.4. Terugbetalingen

Als Vuly Play een garantieclaim van een klant accepteert, zal Vuly Play de gebrekkige/defecte onderdelen vervangen of terugbetalingen aanbieden, afhankelijk van de ernst van het probleem.

Terugbetalingen worden doorgaans binnen 7 dagen verwerkt nadat de terugbetaling is goedgekeurd. Vuly Play verstrekt deze termijn te goeder trouw en kan niet aansprakelijk worden gesteld indien deze termijn niet wordt gehaald.

8.4.5 Garantieclaims voor niet-Vuly Play-producten

Producten die samen met Vuly Play worden verkocht maar geen Vuly Play-merk dragen, vallen onder de garanties die worden verstrekt door de bedrijven die deze leveren. De klant moet contact opnemen met deze externe bedrijven om een garantieclaim in te dienen; Vuly Play zal geen claims beoordelen die betrekking



hebben op niet-Vuly Play-producten.

8.5. Land-specifieke kennisgevingen inzake consumentenrecht

Naast de hierboven uiteengezette standaardgarantie kunnen klanten in de volgende landen aanvullende rechten hebben onder hun lokale consumentenbeschermingswetten. Deze rechten zijn alleen van toepassing op aankopen die in de desbetreffende landen zijn gedaan.

8.5.1. Australië – Australische consumentenwetgeving

Onze producten worden geleverd met garanties die niet kunnen worden uitgesloten onder de Australian Consumer Law (ACL).

U hebt recht op:

- Een vervanging of terugbetaling bij een ernstig gebrek en op compensatie voor enig ander redelijkerwijs voorzienbaar verlies of schade
- Reparatie of vervanging van de producten indien zij niet van aanvaardbare kwaliteit zijn en het gebrek geen ernstig gebrek vormt.

Deze rechten gelden naast elke garantie die door Vuly Play wordt verstrekt en beperken je wettelijke rechten onder de ACL niet.

8.5.2. Verenigde Staten – Federale & Staatsconsumentenwetten

Deze garantie geeft je specifieke wettelijke rechten, en je kan ook andere rechten hebben die per staat verschillen.

Onder de Magnuson-Moss Warranty Act kunnen klanten recht hebben op bepaalde verhaalmogelijkheden indien een product defect blijkt te zijn.

Vuly Play voldoet aan alle toepasselijke Amerikaanse consumentenbeschermingswetten. Eventuele claims moeten rechtstreeks bij Vuly Play worden ingediend, en de aansprakelijkheid is beperkt tot de kosten van reparatie, vervanging of terugbetaling, naar keuze van Vuly Play.

8.5.3. Canada – Consumentenbeschermingswetgeving

Canadese klanten worden beschermd onder zowel federale als provinciale consumentenwetgeving.

Deze wetten kunnen het volgende bieden:

- Bescherming tegen misleidende handelspraktijken
- Impliciete garanties van kwaliteit en geschiktheid voor het doel
- Rechten op reparatie, vervanging of terugbetaling voor defecte producten

De rechten verschillen per provincie. Deze garantie beperkt je aanspraken onder de toepasselijke Consumer Protection Acts niet.

8.5.4. Verenigd Koninkrijk – Consumer Rights Act 2015

Onder de UK Consumer Rights Act 2015 heb je het wettelijke recht op:

- Een terugbetaling indien een product binnen 30 dagen na aankoop defect is
- Een reparatie of vervanging binnen de eerste 6 maanden indien er een defect optreedt
- Recht op een prijsverlaging of definitieve afwijzing indien reparatie of vervanging niet succesvol is.

Deze rechten gelden naast elke aanvullende garantie die door Vuly Play wordt verstrekt. Claims moeten worden ingediend bij Vuly Play UK.

8.5.5. Europese Unie – EU-consumentenrechten

Onze producten worden geleverd met consumentengarantie onder Europees recht die niet kan worden uitgesloten.

Je hebt recht op:

- Een kosteloze reparatie of vervanging indien de producten niet conform het contract zijn, overeenkomstig Richtlijn (EU) 2019/771
- Een terugbetaling of prijsverlaging indien reparatie of vervanging niet mogelijk is, niet binnen een redelijke termijn gebeurt of aanzienlijke

overlast veroorzaakt

- Deze rechtsmiddelen zijn tot twee jaar vanaf de leveringsdatum beschikbaar en gelden voor alle consumenten die in EU-lidstaten wonen

Bij online- of afstandskoop kunt u mogelijk binnen 14 dagen de overeenkomst herroepen volgens Richtlijn 2011/83/EU, zonder opgave van redenen.

Deze rechten gelden naast elke garantie van Vuly Play en beperken uw wettelijke rechten onder EU-recht niet.

9.0. Ontbrekende onderdelen

Als een klant van mening is dat een Vuly Play-product niet alle noodzakelijke onderdelen bevat, moet hij onmiddellijk een claim wegens ontbrekende onderdelen indienen via **VulyPlay.com/Support**.

Een klant mag een product niet gebruiken als een onderdeel ontbreekt, omdat dit gevaarlijk kan zijn. Schade die de gebruiker veroorzaakt door het gebruik van onvolledige producten leidt tot verval van de garantie.

Vuly Play-trampolines worden vooraf verpakt geleverd aan de Vuly Play-magazijnen; wij kunnen de dozen vóór levering niet controleren om te garanderen dat zij alle vereiste onderdelen bevatten. Hoewel het percentage ontbrekende onderdelen tijdens het verpakken zeer laag is, kunnen sommige onderdelen ook tijdens het transport uit de dozen vallen door kleine, onbedoelde scheuren.





BASIC TRAMPOLINING SKILLS

The following is advice on how to perform the fundamental skills of trampolining:

Bouncing

You should always bounce in the centre of the bed, and only perform controlled bounces in line with your coordination and capability. Always begin your basic bounces low. Never jump excessively high or recklessly.

The Stop Bounce

This technique will allow you to regain control by quickly stopping your movement. Keep your feet on the mat, and absorb the rebound of the trampoline through your knees and waist.

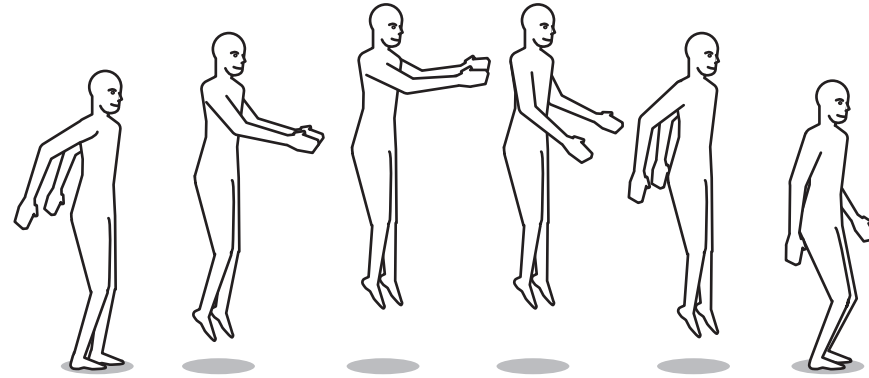
This skill should be the first skill that you learn, and you should use it whenever you feel out of balance, or when you land away from the centre of the mat.

To practice the stop bounce:

1. Stand in centre of the mat, with your feet about hip-width apart.
2. Attempt 3 easy bounces; keep them low and controlled.
3. Focus your eyes towards the perimeter of the trampoline to keep your balance.
4. Stop the bounce by bending your knees and hips when you land on the mat.

Arm Actions

Arms are also important for proper lift and control. Whenever you're in the air, your arms should be too. Raise them as you jump—to about shoulder height and width. Keep this position until you start falling, then lower your arms to slightly behind the hips. Re-lift them as you bounce again.



Leg Actions

There are three basic leg actions: the tuck, pike, and straddle pike. You should assume these positions at the peak of your bounce, and resume the normal landing position as you come back down.

Concentrate on getting perfect form as you practice; ensure that your toes are pointed, and your fingers are straight. These simple variations to the basic bounce are very important for gaining experience in coordinating your movement.



COMPÉTENCES DE BASE EN TRAMPOLINE

Les conseils suivants indiquent comment exécuter les compétences fondamentales du trampoline :

Le saut

Vous devez toujours sauter au centre de la toile de saut et n'effectuer que des sauts contrôlés, en accord avec votre coordination et vos capacités. Commencez toujours vos sauts de base à faible hauteur. Ne sautez jamais excessivement haut ou de manière imprudente.

Le saut d'arrêt

Cette technique vous permettra de reprendre le contrôle en arrêtant rapidement votre mouvement. Gardez vos pieds sur le tapis et amortissez le rebond du trampoline par vos genoux et votre taille.

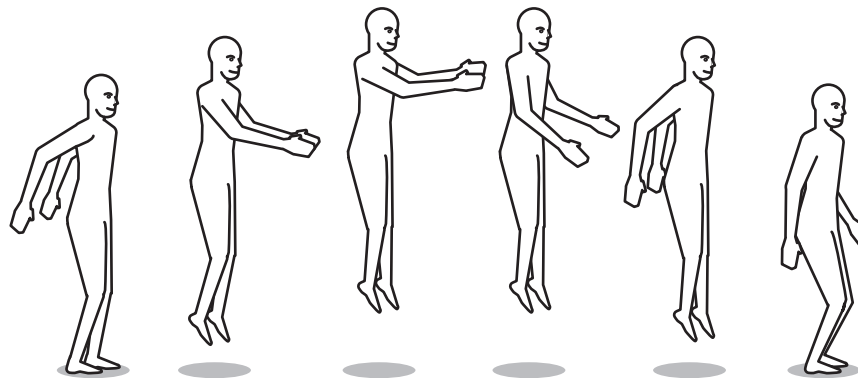
Cette compétence devrait être la première que vous apprenez, et vous devriez l'utiliser chaque fois que vous vous sentez en déséquilibre ou lorsque vous atterrissez loin du centre du tapis.

Pour s'entraîner au saut d'arrêt :

1. Tenez-vous au centre du tapis, les pieds écartés à la largeur des hanches.
2. Tentez 3 sauts faciles ; gardez-les bas et contrôlés.
3. Fixez votre regard vers la périphérie du trampoline pour garder votre équilibre.
4. Arrêtez le rebond en fléchissant les genoux et les hanches lorsque vous atterrissez sur le tapis.

Mouvements des bras

Les bras sont également importants pour une bonne élévation et un bon contrôle. Chaque fois que vous êtes en l'air, vos bras doivent l'être aussi. Levez-les lorsque vous sautez — à environ la hauteur et la largeur des épaules. Maintenez cette position jusqu'à ce que vous commenciez à redescendre, puis abaissez vos bras légèrement derrière les hanches. Relevez-les lorsque vous rebondissez à nouveau.



Mouvements des jambes

Il existe trois mouvements de jambes fondamentaux : le saut groupé, le saut carpé et le saut écart. Vous devez adopter ces positions au sommet de votre saut et reprendre la position d'atterrissage normale en redescendant.

Concentrez-vous pour obtenir une forme parfaite lorsque vous vous entraînez ; assurez-vous que vos pointes de pieds sont tendues et que vos doigts sont droits. Ces variations simples du saut de base sont très importantes pour acquérir de l'expérience dans la coordination de vos mouvements.



GRUNDFERTIGKEITEN DES TRAMPOLINSPRINGENS

Im Folgenden finden Sie Ratschläge zur Ausführung der grundlegenden Fertigkeiten des Trampolinspringens:

Springen

Sie sollten immer in der Mitte des Sprungtuchs springen und nur kontrollierte Sprünge ausführen, die Ihrer Koordination und Ihren Fähigkeiten entsprechen. Beginnen Sie Ihre Grundsprünge immer niedrig. Springen Sie niemals übermäßig hoch oder leichtsinnig.

Der Stoppsprung

Diese Technik ermöglicht es Ihnen, die Kontrolle zurückzugewinnen, indem Sie Ihre Bewegung schnell stoppen. Lassen Sie Ihre Füße auf der Matte und federn Sie den Rückstoß des Trampolins durch Knie und Taille ab.

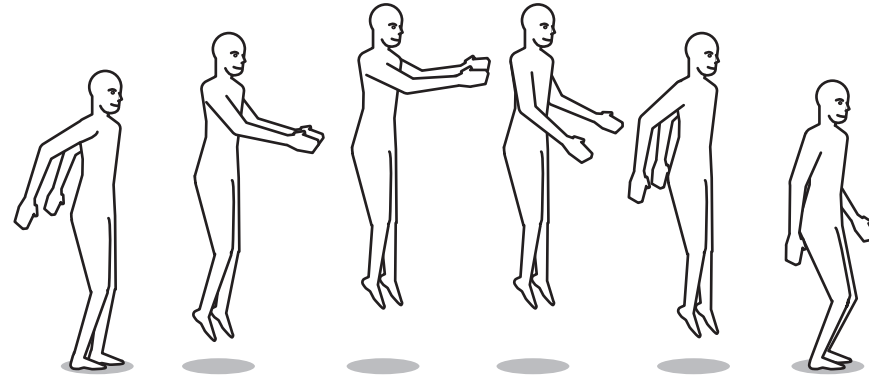
Diese Fertigkeit sollte die erste sein, die Sie erlernen. Sie sollten sie immer dann anwenden, wenn Sie sich aus dem Gleichgewicht fühlen oder wenn Sie nicht in der Mitte der Matte landen.

Üben des Stoppsprungs:

1. Stellen Sie sich in die Mitte der Matte, die Füße etwa hüftbreit auseinander.
2. Versuchen Sie 3 leichte Sprünge; halten Sie diese niedrig und kontrolliert.
3. Richten Sie Ihren Blick auf den Rand des Trampolins, um das Gleichgewicht zu halten.
4. Stoppen Sie den Sprung, indem Sie bei der Landung auf der Matte in die Knie und Hüften gehen.

Armbewegungen

Die Arme sind ebenfalls wichtig für den richtigen Auftrieb und die Kontrolle. Wann immer Sie in der Luft sind, sollten Ihre Arme es auch sein. Heben Sie sie beim Springen an – etwa auf Schulterhöhe und -breite. Halten Sie diese Position, bis Sie anfangen zu fallen, und senken Sie die Arme dann bis leicht hinter die Hüften ab. Heben Sie sie wieder an, wenn Sie erneut abspringen.



Beinbewegungen

Es gibt drei grundlegende Beinbewegungen: die Hocke, die Bücke und die Grätsche. Sie sollten diese Positionen am höchsten Punkt Ihres Sprungs einnehmen und beim Herunterkommen wieder die normale Landeposition einnehmen.

Konzentrieren Sie sich beim Üben auf eine perfekte Haltung; achten Sie darauf, dass Ihre Zehen gestreckt und Ihre Finger gerade sind. Diese einfachen Variationen des Grundsprungs sind sehr wichtig, um Erfahrung in der Koordination Ihrer Bewegungen zu sammeln.



BASISVAARDIGHEDEN TRAMPOLINESPRINGEN

Hieronder volgt advies over het uitvoeren van de fundamentele vaardigheden van het trampolinespringen:

Springen

U moet altijd in het midden van de springmat springen en alleen gecontroleerde sprongen uitvoeren die passen bij uw coördinatie en vermogen. Begin uw basissprongen altijd laag. Spring nooit overmatig hoog of roekeloos.

De Stop-sprong

Met deze techniek kunt u de controle herwinnen door uw beweging snel te stoppen. Houd uw voeten op de mat en vang de terugslag van de trampoline op via uw knieën en taille.

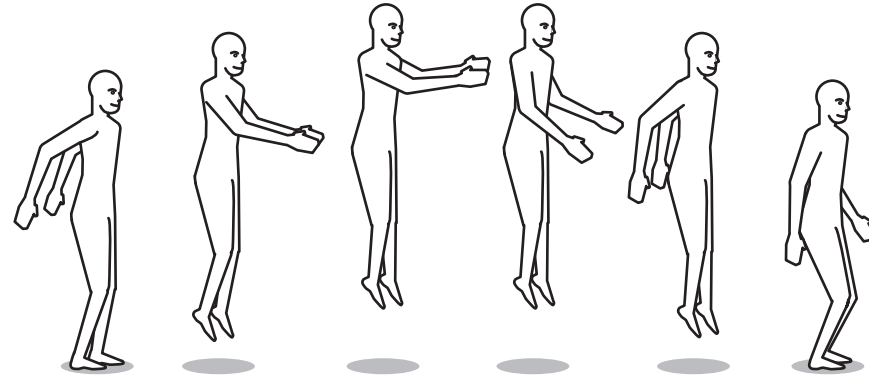
Deze vaardigheid zou de eerste moeten zijn die u leert, en u moet deze gebruiken wanneer u zich uit balans voelt of wanneer u buiten het midden van de mat landt.

Om de stop-sprong te oefenen:

1. Ga in het midden van de mat staan, met uw voeten ongeveer op heupbreedte uit elkaar.
2. Probeer 3 gemakkelijke sprongen; houd ze laag en gecontroleerd.
3. Richt uw ogen op de rand van de trampoline om uw evenwicht te bewaren.
4. Stop de sprong door uw knieën en heupen te buigen wanneer u op de mat landt.

Armbewegingen

Armen zijn ook belangrijk voor een goede lift en controle. Wanneer u in de lucht bent, moeten uw armen dat ook zijn. Hef ze op terwijl u springt – tot ongeveer schouderhoogte en -breedte. Houd deze positie vast totdat u begint te dalen en laat uw armen dan zakken tot iets achter de heupen. Hef ze weer op wanneer u opnieuw springt.



Beenbewegingen

Er zijn drie basis beenbewegingen: de hurksprong, de hoeksprong en de spreidsprong. U moet deze posities aannemen op het hoogste punt van uw sprong en de normale landingspositie hervatten terwijl u weer naar beneden komt.

Concentreer u op het krijgen van een perfecte vorm terwijl u oefent; zorg ervoor dat uw tenen gestrekt zijn en uw vingers recht. Deze eenvoudige variaties op de basissprong zijn erg belangrijk voor het opdoen van ervaring in het coördineren van uw beweging.









vulyplay.com

See **vulyplay.com/terms** for the most recent Vuly Play warranty policies, terms and conditions.

Consultez **vulyplay.com/terms** pour connaître les dernières politiques, conditions générales et garanties de Vuly Play.

Besuchen Sie **vulyplay.com/terms**, um die jeweils aktuellsten Garantiebedingungen und Allgemeinen Geschäftsbedingungen von Vuly Play einzusehen.

Zie **vulyplay.com/terms** voor de meest recente garantievoorwaarden en bepalingen van Vuly Play.