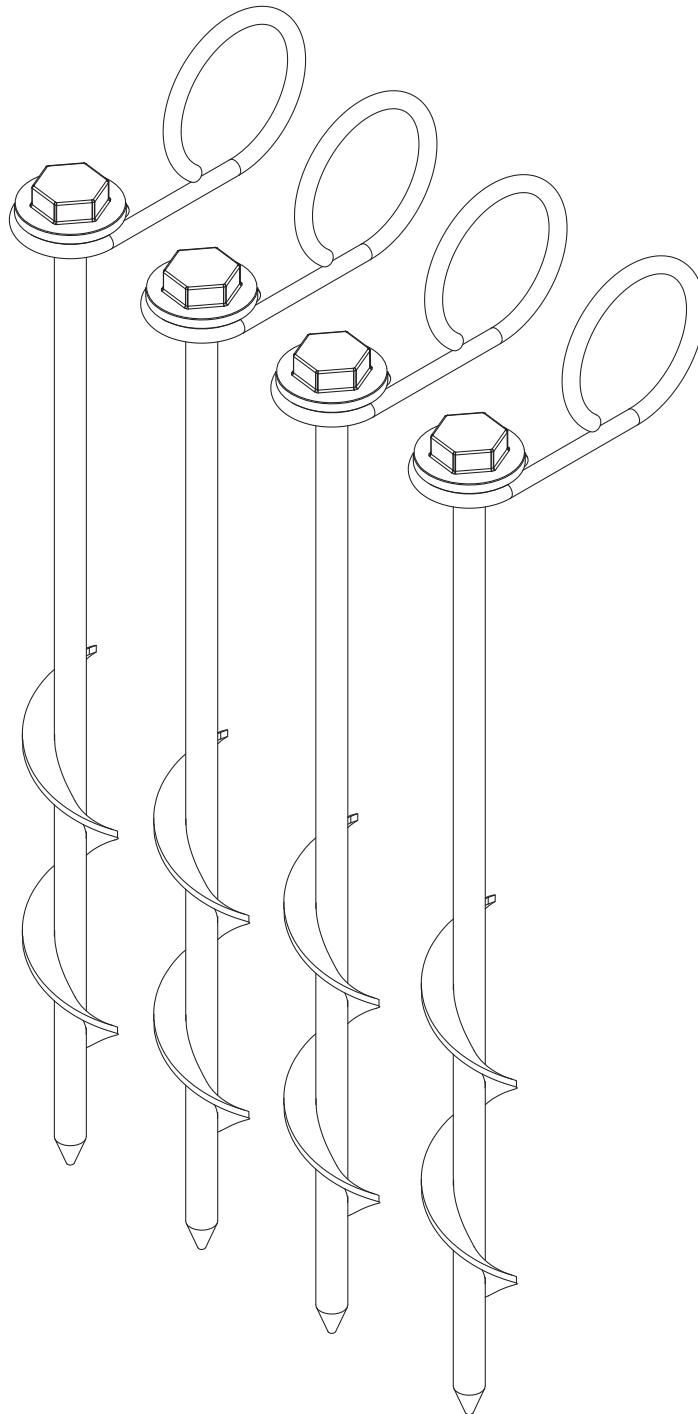


# ANCHOR KIT

## Assembly Manual



## ATTENTION!

**SAFETY INFORMATION, INSTALLATION, CARE AND MAINTENANCE INSTRUCTIONS. READ PRIOR TO ASSEMBLING AND USING THE PRODUCT.**

Vuly Play cares about safety.  
Adult supervision is required at all times whilst equipment is in use.

If you have any feedback regarding our instructions, feel free to email [instructions@vulyplay.com](mailto:instructions@vulyplay.com) so that we can continue to improve.



Scan this QR code  
or visit [vulyplay.com/install](http://vulyplay.com/install) for  
digital manual copy

# LEGAL DISCLAIMER & CONDITIONS OF SALE

The following Conditions of Sale apply to and bind the purchasers of any Vuly Play product.

This product is manufactured and distributed exclusively by the following legal entities in their respective regions:

- Australia: Vuly Play Group ABN 48 655 129 623  
Address: 95 Ingleston Road, Wakerley, QLD 4154
- United States: Vuly USA Operations Corp. EIN 99-2968094  
Address: 1087 W. River St., Ste 310, Boise, ID 83702
- Canada: Vuly Canada Operations Corp. BC1025301  
Address: 1055 W. Georgia St Unit 1500 Vancouver, BC V6E 4N7
- United Kingdom: United Kingdom Play Ltd 16492883  
Address: Windsor House Station Court, Station Road, Great Shelford, Cambridge, UK, CB22 5NE

Each entity is solely responsible for sales, support, product safety, warranty, and compliance in its country. Any legal claims, disputes, or liability matters must be addressed exclusively in the country where the product was purchased and under the laws of that jurisdiction.

## NOTICE TO USER:

Please read this agreement carefully before purchasing or assembling this product. By opening this package or commencing assembly, you acknowledge that you have read, understood, and agreed to these Conditions of Sale. If purchasing on behalf of another person, you agree you are acting as their agent.

## IMPORTANT NOTICE – LEGAL RIGHTS:

Exclusion of liability – waiver of right to sue – assumption of risk – these conditions affect your legal rights. Use of this product involves inherent risks. Users assume full responsibility for safe operation, correct assembly, and maintenance.

All Vuly Play Products are subject to following conditions -

1. To the maximum extent permitted by the law, Vuly Play, its employees, directors and agents will not be liable to the customer, their dependents or legal representatives for damage to property, personal injury or death suffered by the customer because the Product was not manufactured or supplied with due care and skill, the Product is not reasonably fit for its purpose or because of negligence, breach of contract, breach of statute or breach of statutory duty by Vuly Play.
2. Vuly Play, its employees, directors and agents are not liable to the customer, their dependents or legal representatives for personal injury or death suffered by the customer because the Product was not:
  - a. Installed in accordance with the Vuly Play instruction manual. It is the customer's responsibility to check all boxes to confirm that all components are included and in

the correct condition before assembly.

- b. Installed with due care and skill, by the customer or a third party assembly service;
  - c. and in the same condition as when the Product was supplied, due to wear and tear –including, but not limited to, weather damage, deterioration of the fabric, UV deterioration or rust.
3. The customer acknowledges that using the Product can be dangerous, with inherent risks and hazards. As a consequence, personal injury or death may occur. The customer assumes and accepts all such risks, and hereby – to the full extent permitted by law – waives the right of action against, and fully releases Vuly Play for, loss, damages, personal injury or death in any way caused by, or relating to, the customer's participation in such activities.

This includes – without limitation – liability for any negligent or tortuous acts or omission, breach of duty, breach of contract or breach of statutory duty on the part of Vuly Play, its office bearers, directors, employees or agents.

## WARNING!

To reduce the risk of injury while using the system, enforce the following:

- The use of the Product involves a significant risk of participants suffering personal injury including the possibility of serious injuries, permanent disability or death. All participants who engage in activities with the Product do so at their own risk.

To reduce the risk of injury while using the system, enforce the following:

- One user at a time – collision hazard.
- Only outdoor and domestic use
- Adult supervision required at all times.
- Users 6 years of age & over.
- Maximum user weight: 80kg.
- Risk of strangulation or death due to items restricting airways, becoming entangled or entrapped by the equipment.

## Vuly Play Group

AU: 1300 667 514

US: 1-833-333-8888

CAD:(866) 866-8858

UK: 03333 660062

[www.vulyplay.com](http://www.vulyplay.com)



# Contents

Read and follow all instructions in this manual before using your Anchor Kit, and do not use it in any way that is not described in this manual.

Responsibility rests with the owner and supervisors of the product to make sure that all users are aware of the practices specified in this manual.

1.0. Care and Maintenance.....	2
1.1. General Care .....	2
1.2. Rust and Corrosion.....	2
1.3. Textile Deterioration .....	2
1.4. Weather Care .....	2
2.0. Usage and Behaviour .....	3
2.1. Safe Use Information.....	3
2.2. Safe Use Instructions .....	3
2.3. Parts and Components.....	4
3.0. Assembly Instructions.....	5
3.1. Ultra 2 / Flare .....	5
3.2. Ultra 2 Pro / Thunder 2 / Thunder 2 Pro .....	9
3.3. Quest 2.....	11
3.4. Max 2 .....	11



# 1.0. Care and Maintenance

Improper maintenance or lack of care can lead to your system deteriorating earlier than expected and causing injury. Please follow these instructions to ensure that your product lasts for as long as possible.

## 1.1. General Care

- Retain this manual.
- Inspect before and after each use.
- Replace any worn, deteriorated, defective or missing parts immediately and only through Vuly Play.
- Tighten all hardware, including elements that secure the system to the ground.
- Keep away objects that could damage textile components.
- Ensure that moving steel components remain well lubricated.
- Use only parts and accessories recommended by Vuly Play.

## 1.2. Rust and Corrosion

- Be aware of, and check, areas that are particularly prone to rusting:
  - Places where water is easily trapped.
  - Hollow sections of steel (which can appear in good condition on the outside, while hiding rust on the inside).
  - Sections where steel components join together.
- Inspect the inside of all tubes every 6 months – as well as after rain – and remove any water from the inside surfaces.
- Use general-purpose grease on steel connection areas.
- Avoid cleaning steel components excessively; it may reduce the effectiveness of their protective coatings.

## 1.3. Textile Deterioration

- Remove textile parts, and store them – in their original packaging – in a cool, dry and dark place when the system will be unused for over 1 month. Prolonged exposure to UV sunlight can shorten the lifespan of textile materials.

## 1.4. Weather Care

Components are susceptible to deterioration from use and environmental conditions – such as sunlight, rain, salt and heat – to varying degrees.


If your system will be unused for any extended period, disassemble it, return it to its original packaging and store it in a dry place.



COMPONENTS WILL DETERIORATE OVER TIME.

Record your date of purchase:

	/	/
---	---	---



**WARNING:** Strong winds and wild weather can cause products to lift up and move, to avoid danger please secure your product.

## 2.0. Usage and Behaviour

Improper maintenance or lack of care can lead to your Accessory deteriorating earlier than expected and causing injury. Please follow these instructions to ensure that your product lasts for as long as possible.

### 2.1. Safe Use Information

- Maximum user weight: 80kg. / 176lbs.
- Domestic and outdoor use only.
- Suitable for ages 6 and over.
- Maximum users at one time: 4.

### 2.2. Safe Use Instructions



Adult supervision is required at all times whilst equipment is in use. Vuly Play cares about safety.



**WARNING:** To reduce the risk of injury while using the system, enforce the following.

- Ensure that the Anchor Kit has been assembled by an adult, in accordance with the assembly instructions.
- Ensure that the system has been checked over before use, and that all attachments are secure.
- Do not use in strong wind conditions or wet weather, and keep the Anchor Kit secure.
- Ensure active and competent adult supervision at all times while children are using the system.
- Wear comfortable clothing, which allows full and free movement, and closed-in footwear.
  - Do not wear jewellery, drawstrings, cords, loops,

buckles or anything that could entangle in components and become a strangulation hazard, a contact hazard or damage the system.

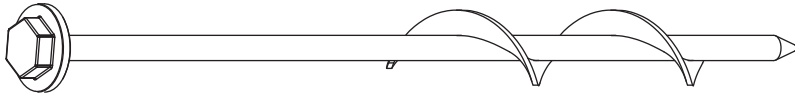
- Empty pockets and hands before use.
- Exercise caution at heights.
- Make sure that the areas around, underneath and above the system are clear.
- Demonstrate safe use for children before allowing them onto the system.
- Do not walk close to, in front of, behind, or between moving items.
- Do not to attach items that are not specifically designed for use with the system, such as – but not limited to – jump ropes, clothesline, pet leashes, cables and chains.
- Preference installing the system on a surface with impact-attenuating properties – such as grass. A fall onto a hard surface can result in serious injury or death to the equipment user.
- Check that you have all parts required for assembly.
- Lock nuts and bolts securely.
- Children must not use the equipment until properly installed.

### You will need these for assembly:

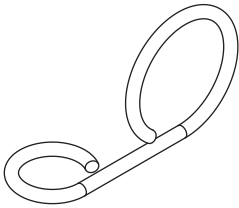
- 13mm Socket Driver
- Drill
- Rubber Ended Mallet



### 2.3. Parts and Components



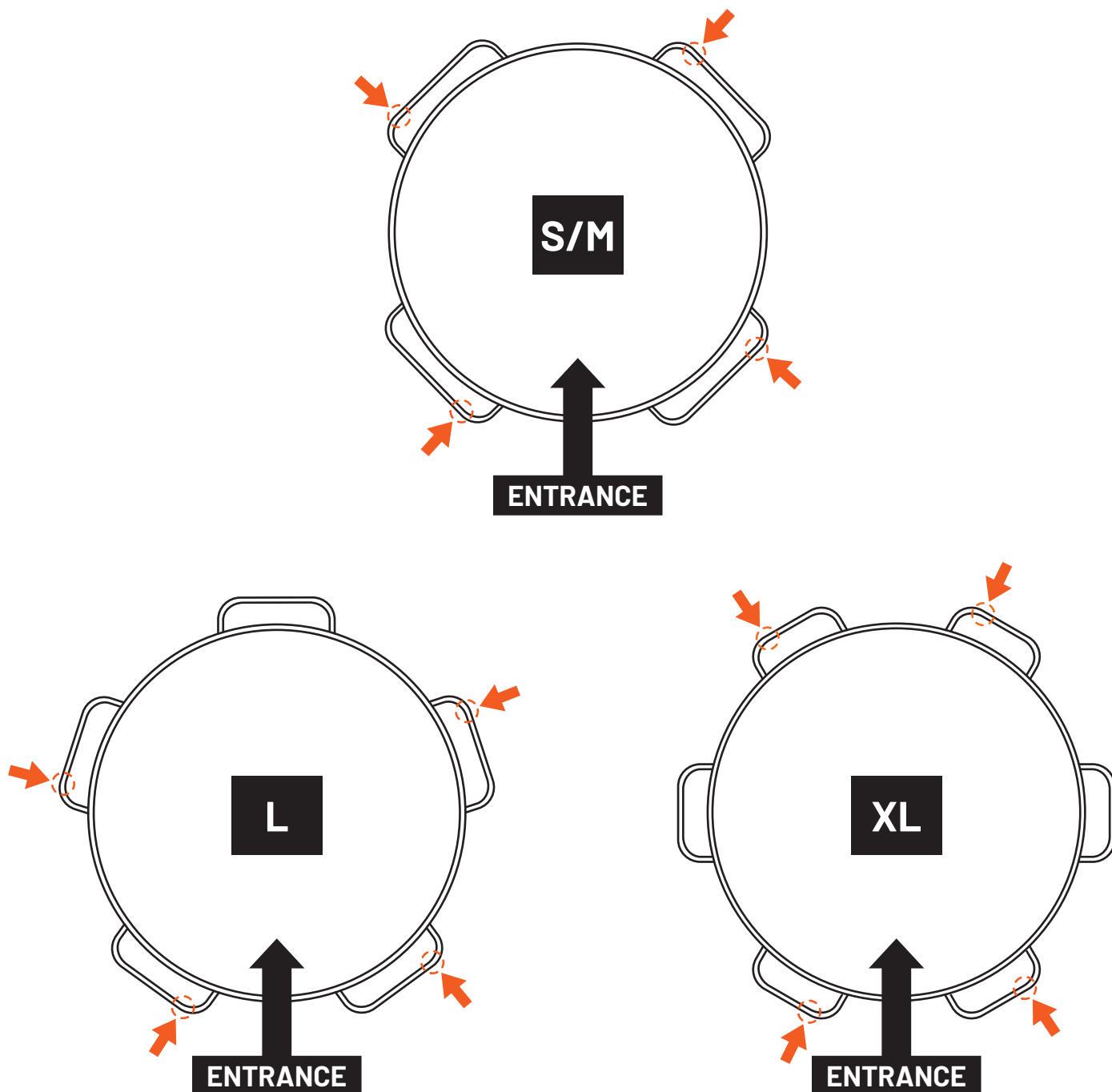
**x4  
ANCHOR**



**x4  
W POLE  
ADAPTOR**

## 3.0. Assembly Instructions

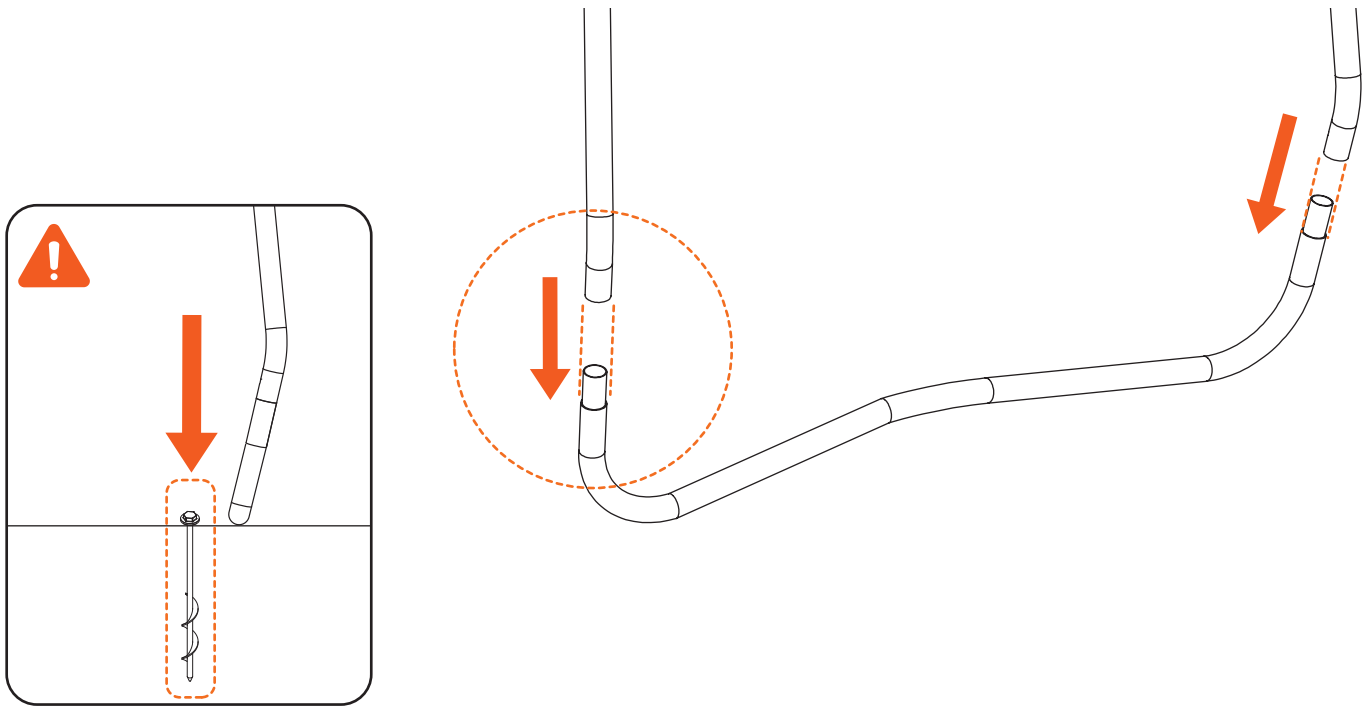
### 3.1. ULTRA 2 / FLARE



**NOTE:** Please refer to the relevant trampoline size above for correct anchoring positions. Anchoring every W-Pole is highly recommended.

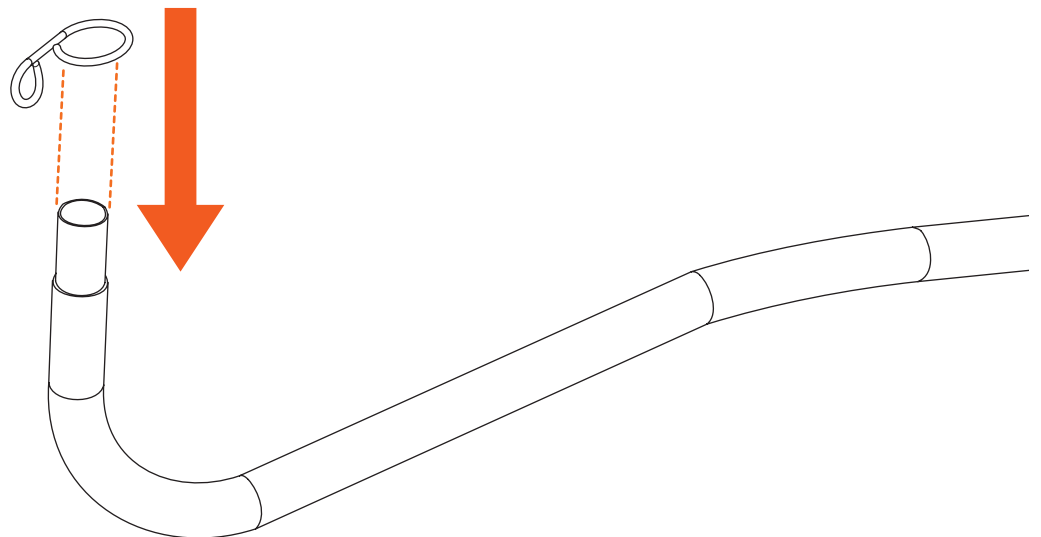


# 1

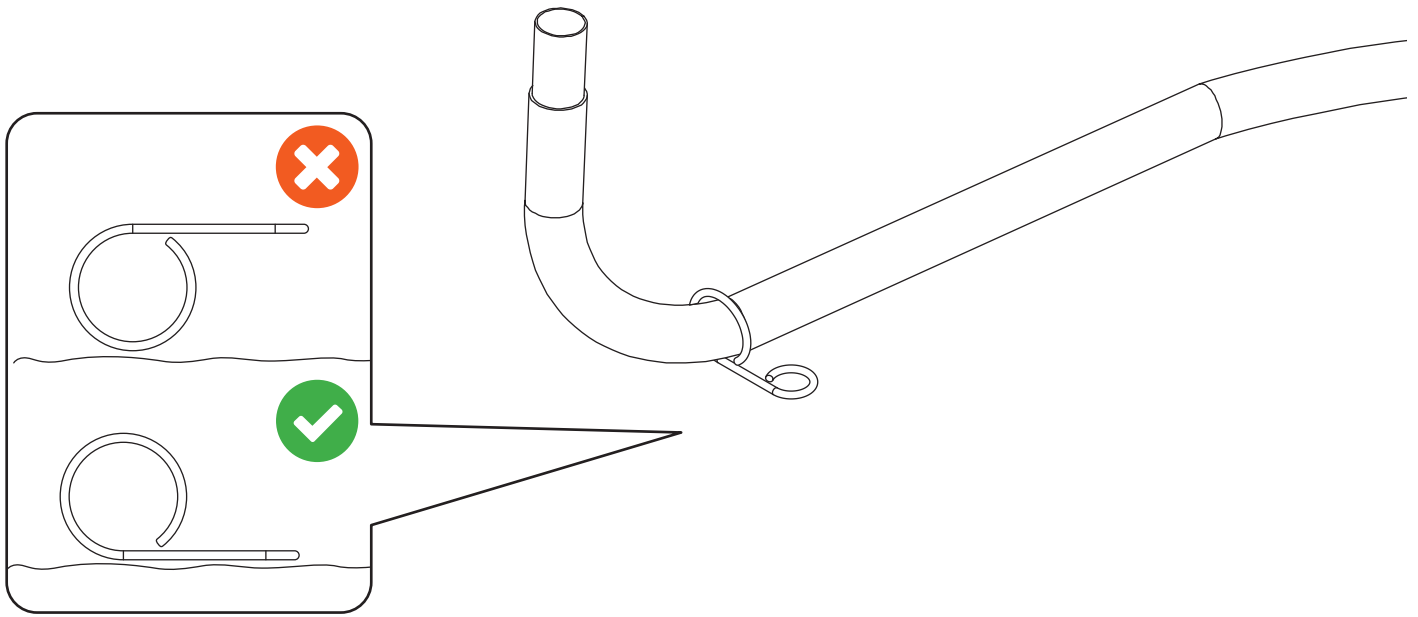


**NOTE:** Installing Anchors facing inside of the Trampoline Frame is highly recommended.

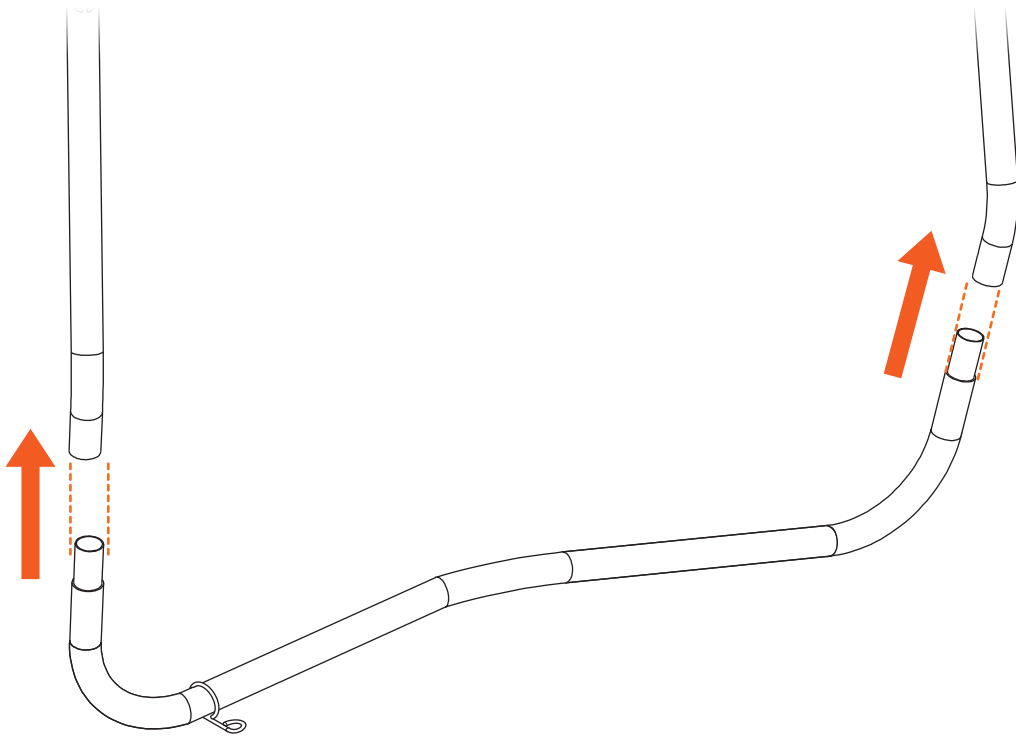
# 2



# 3



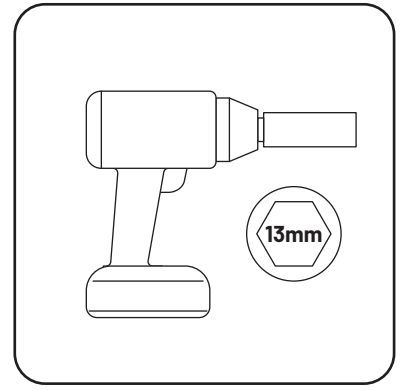
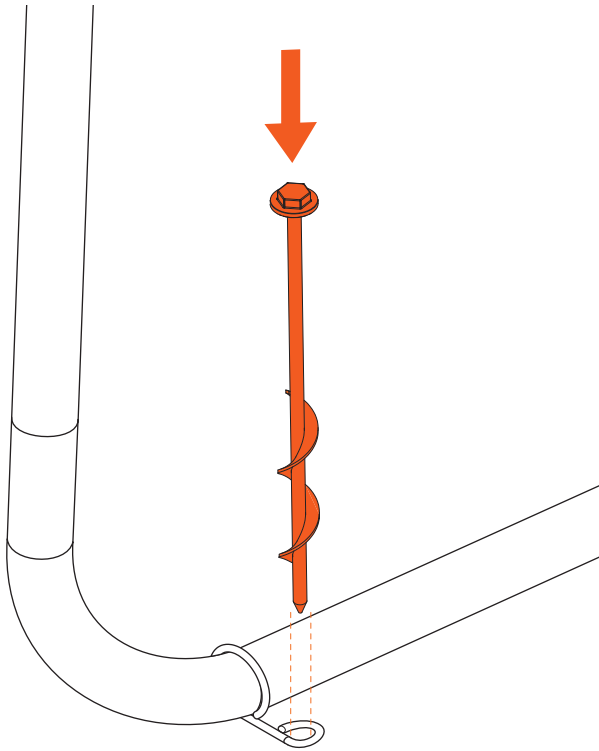
# 4



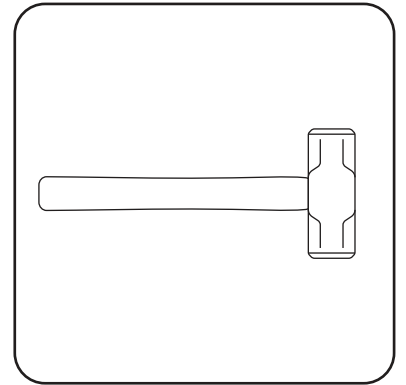
**NOTE:** Repeat this step for the remaining sections.



# 5

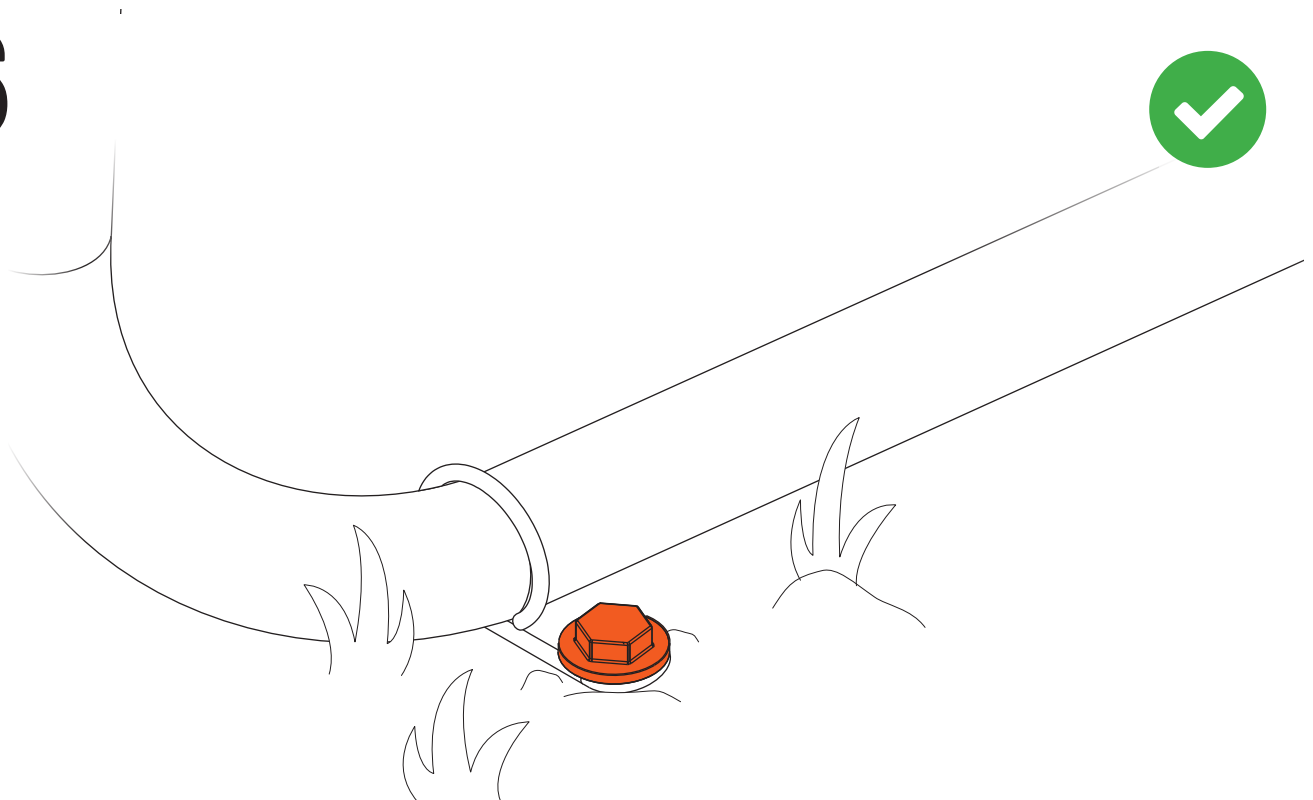


OR

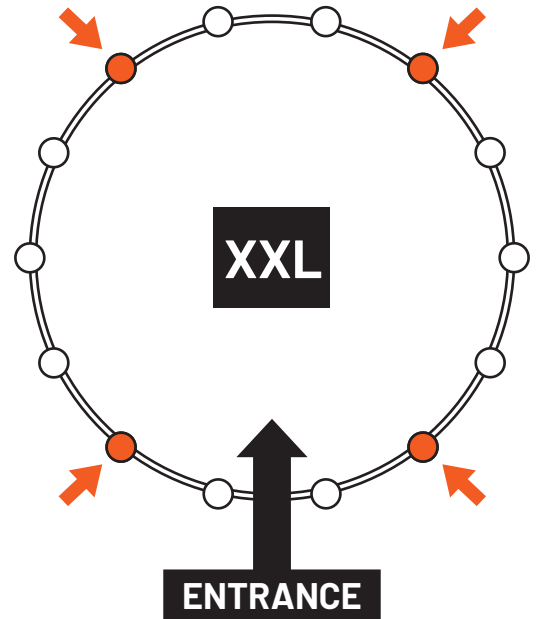
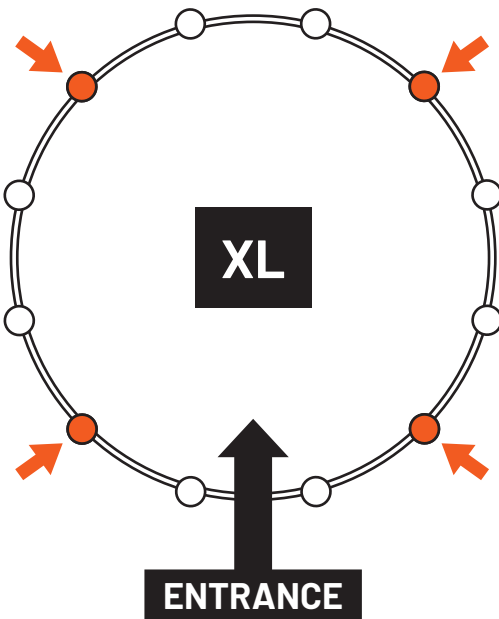
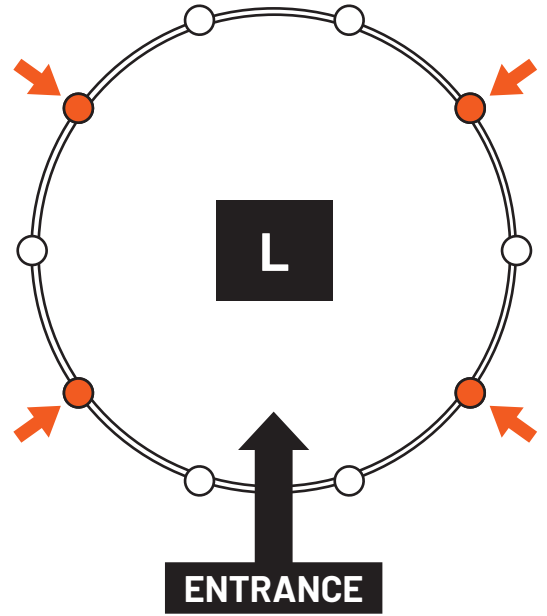
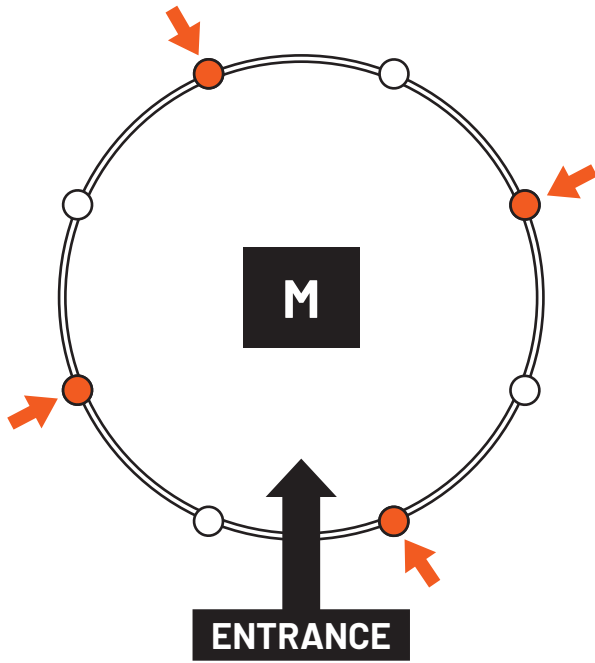


 **NOTE:** Repeat this step for the remaining sections. 

# 6



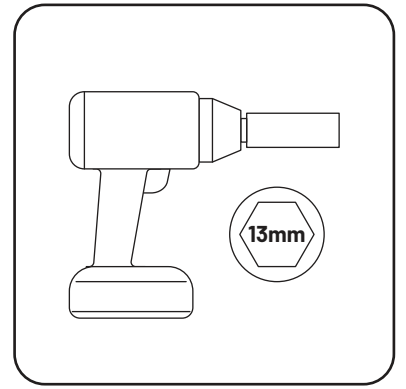
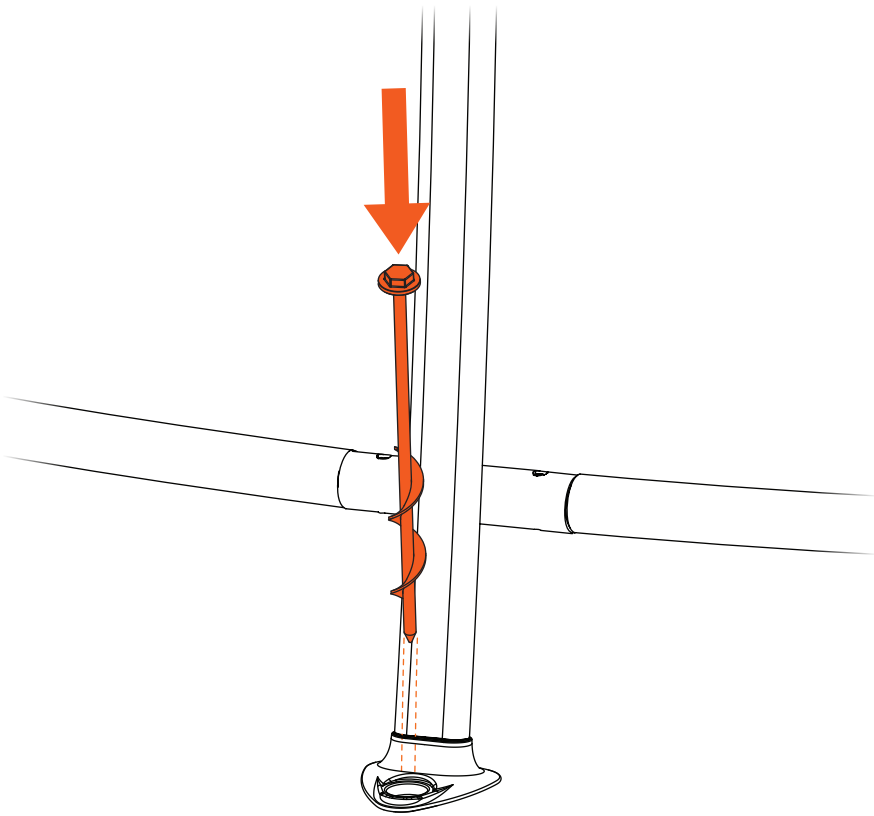
## 3.2. ULTRA 2 PRO / THUNDER 2 / THUNDER 2 PRO



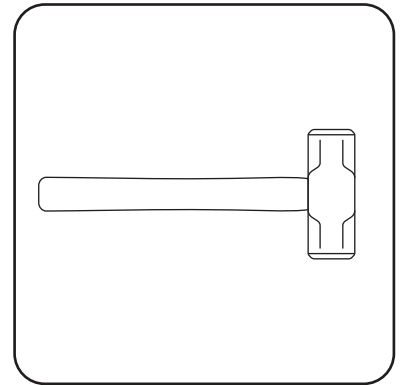
**NOTE:** Please refer to the relevant trampoline size above for correct anchoring positions. Anchoring every leg is highly recommended.



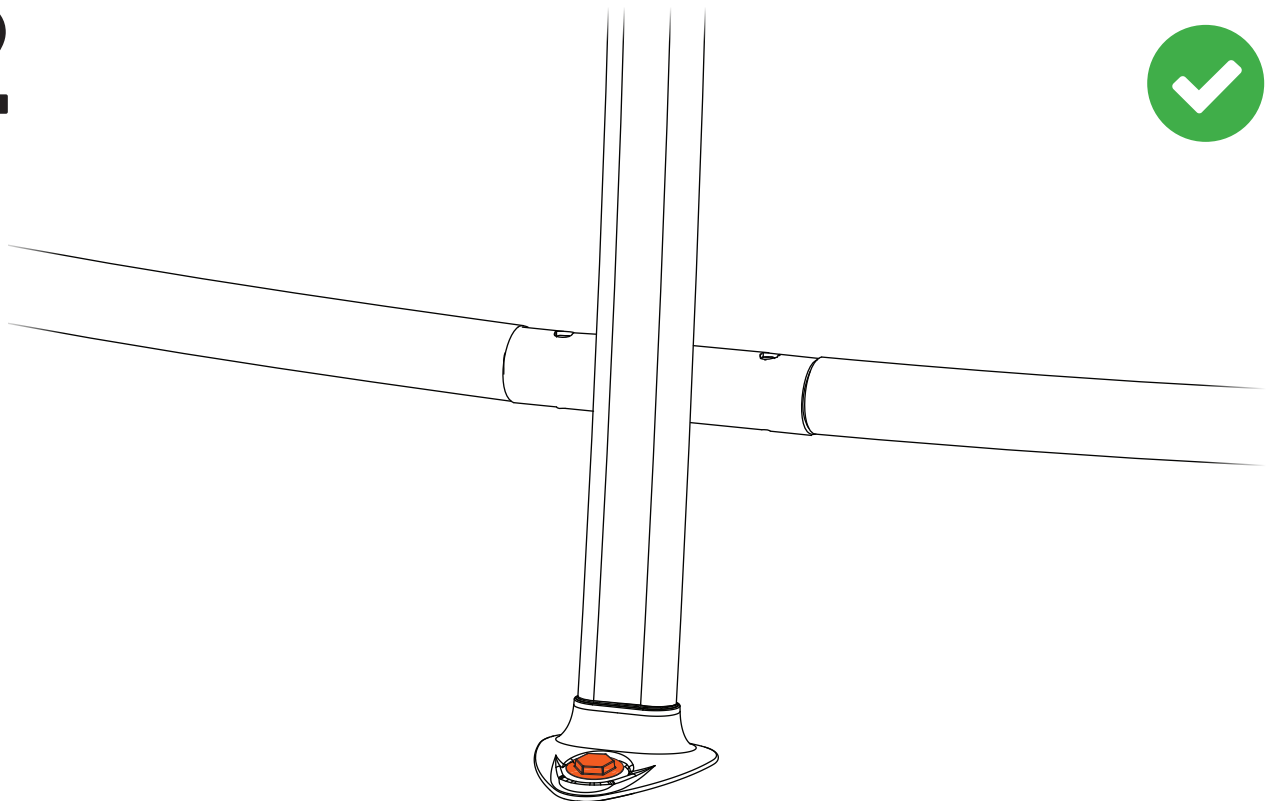
1



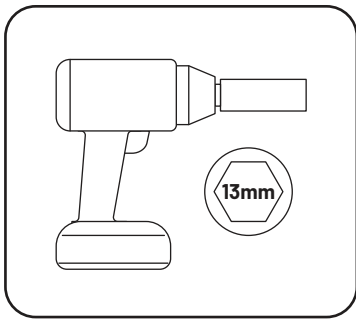
OR



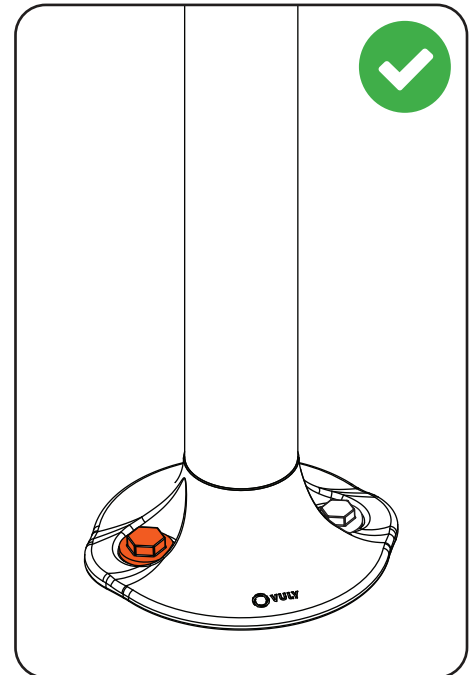
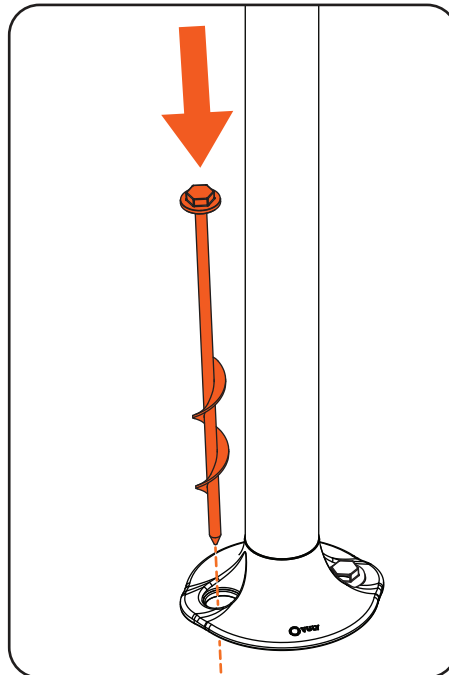
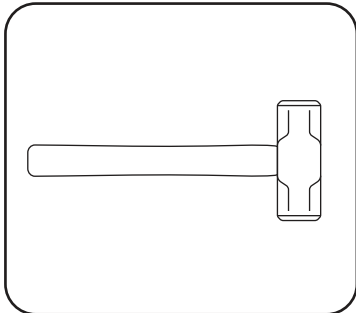
2



## 3.3. QUEST 2



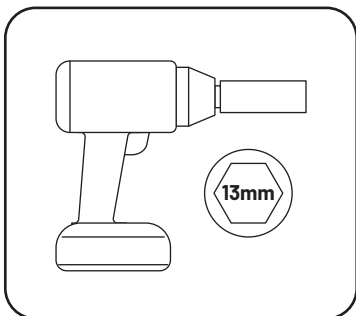
OR



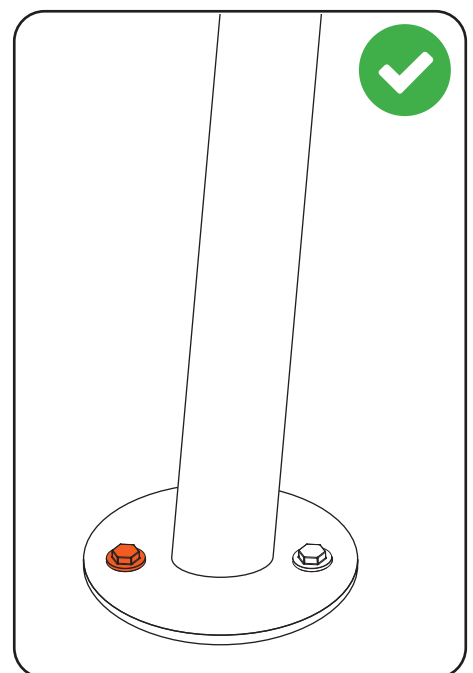
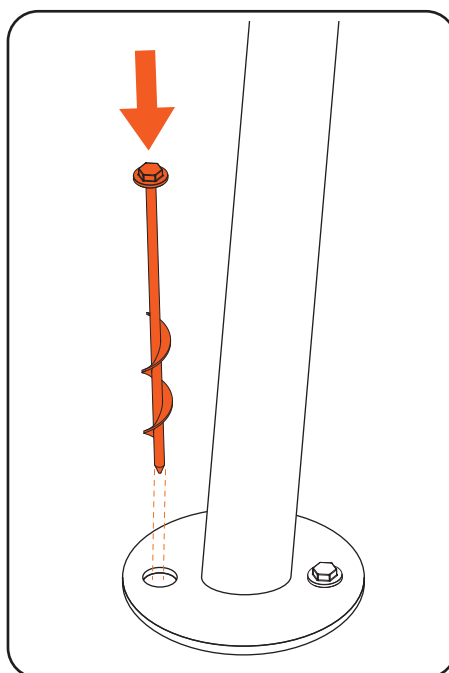
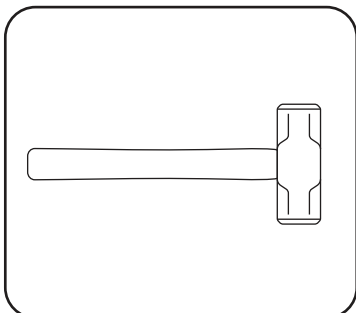
**NOTE:** One anchor is supplied for each foot with Quest 2 frame. Prioritise additional anchors on legs at the corners of the play set.



## 3.4. MAX 2



OR

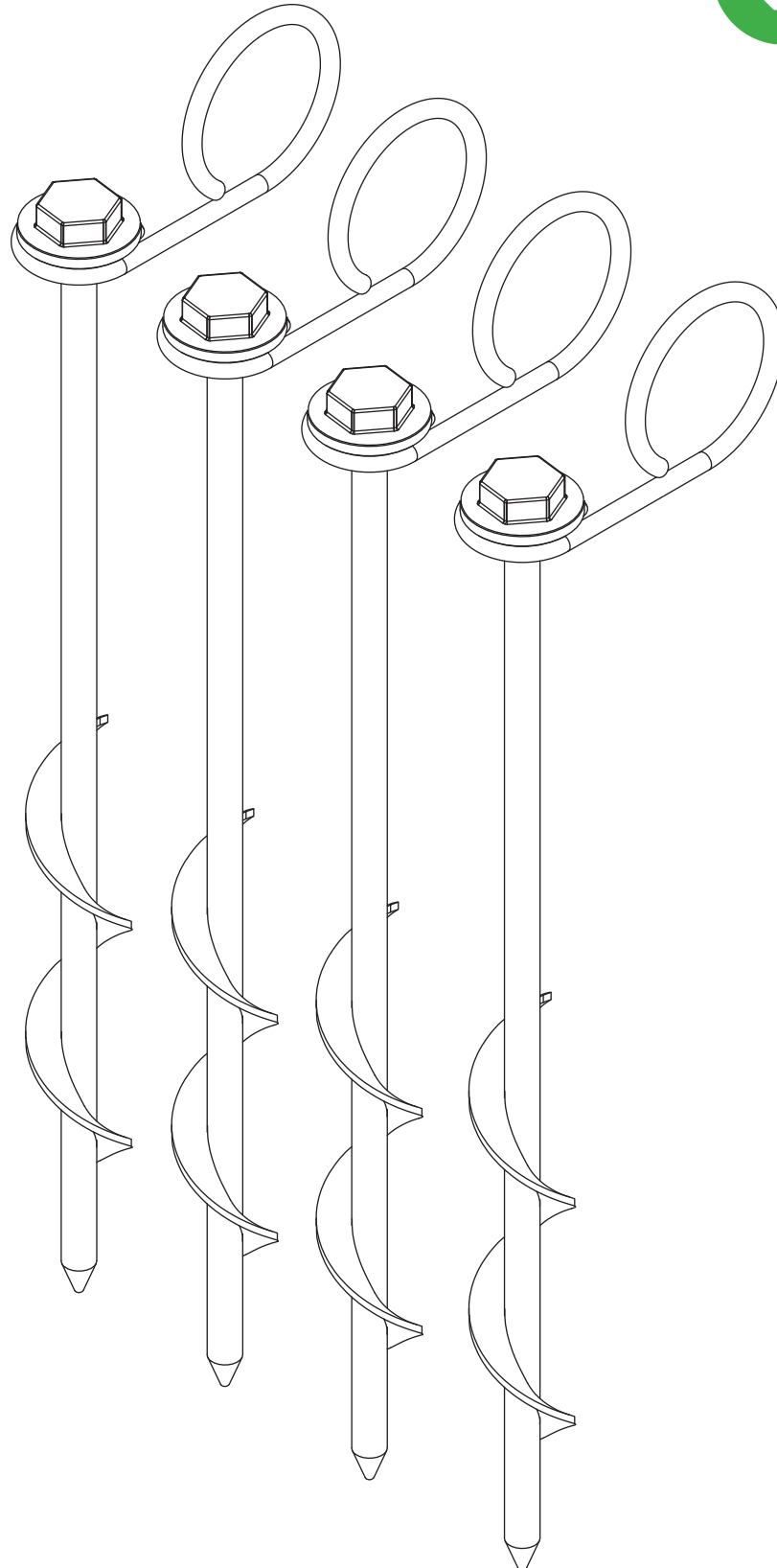


**NOTE:** One anchor is supplied for each foot with Max 2 frame. Prioritise additional anchors on legs at the corners of the play set.



# CONGRATULATIONS!

You have assembled your Anchor Kit!







**[vulyplay.com](https://vulyplay.com)**

See [vulyplay.com/terms](https://vulyplay.com/terms) for the most recent Vuly Play warranty policies, terms and conditions.

