



# Spin Swing

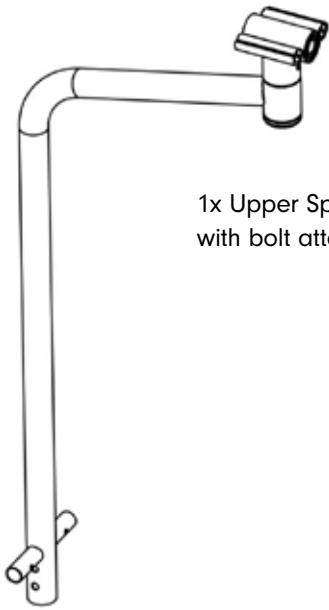


## MANUAL

Visit [VulyPlay.com/Installation](https://www.vulyplay.com/installation)  
for video instructions

# Parts checklist

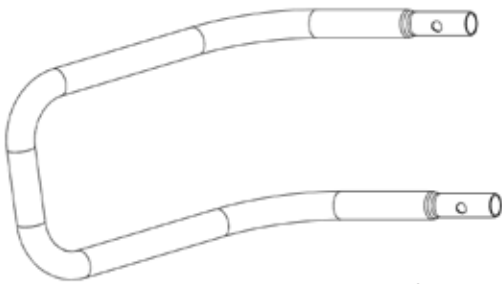
## Spin Swing



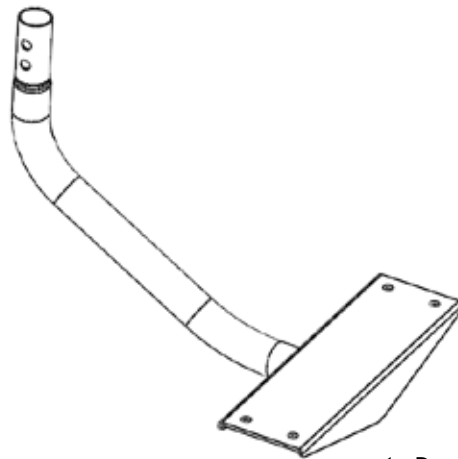
1x Upper Spin Pole,  
with bolt attached



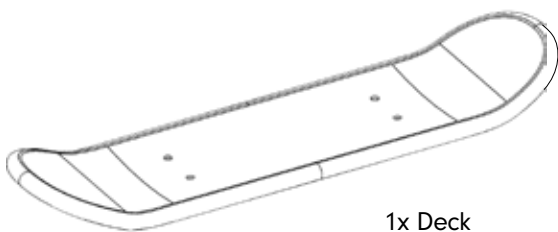
1x Lower Spin Pole



2x Spin Handles



1x Deck Plate



1x Deck



4x Deck nut and  
bolts pairs



4x Spin Pole nut  
and bolt pairs

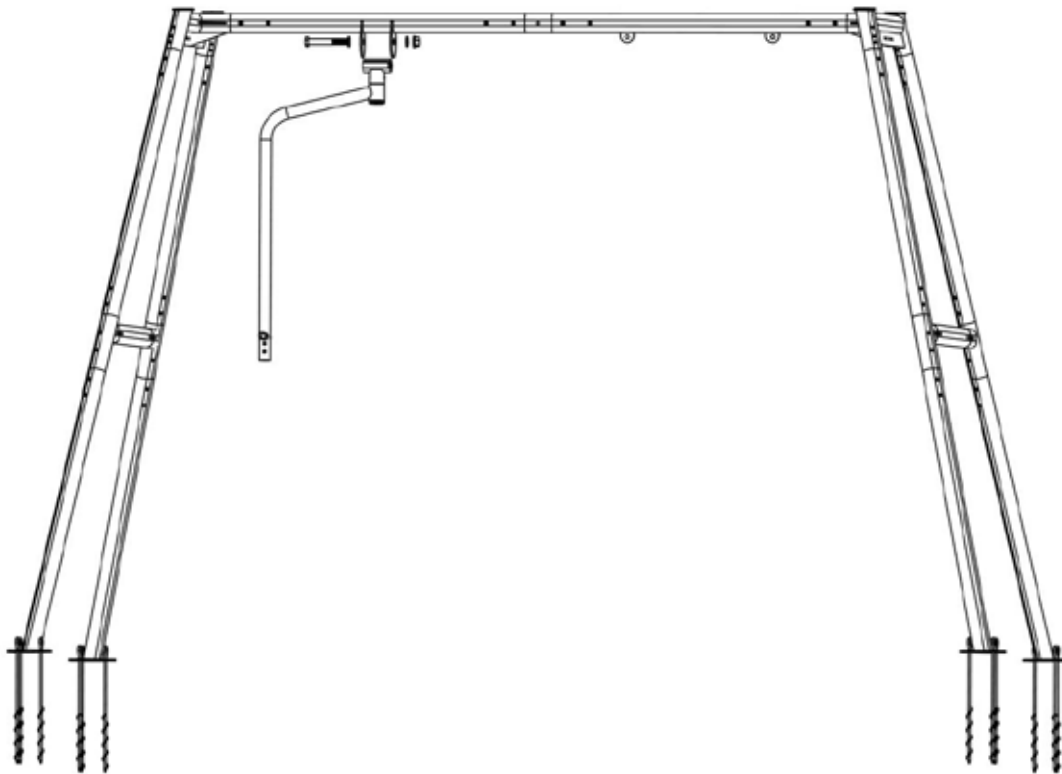
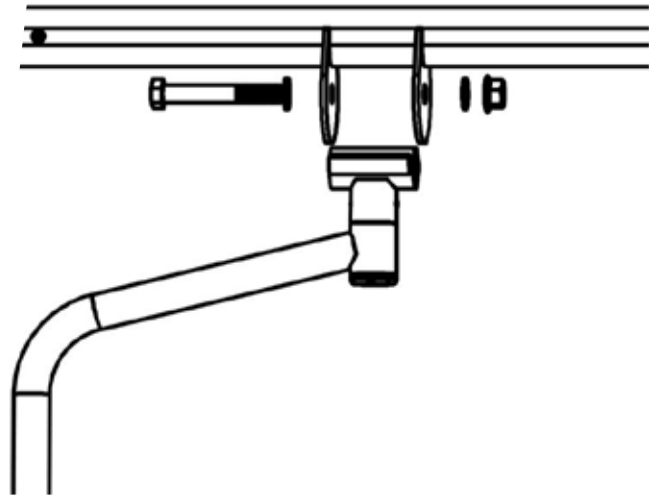
## STEP | 1

Replace a Swing Rail on your assembled 360 Pro with the included Spin Rail, if you did not do so during assembly.

## STEP | 2

Remove the nut, bolt and washers included with the Upper Spin Pole, and position the barrel-end of the Upper Spin Pole in the slot on the Spin Rail.

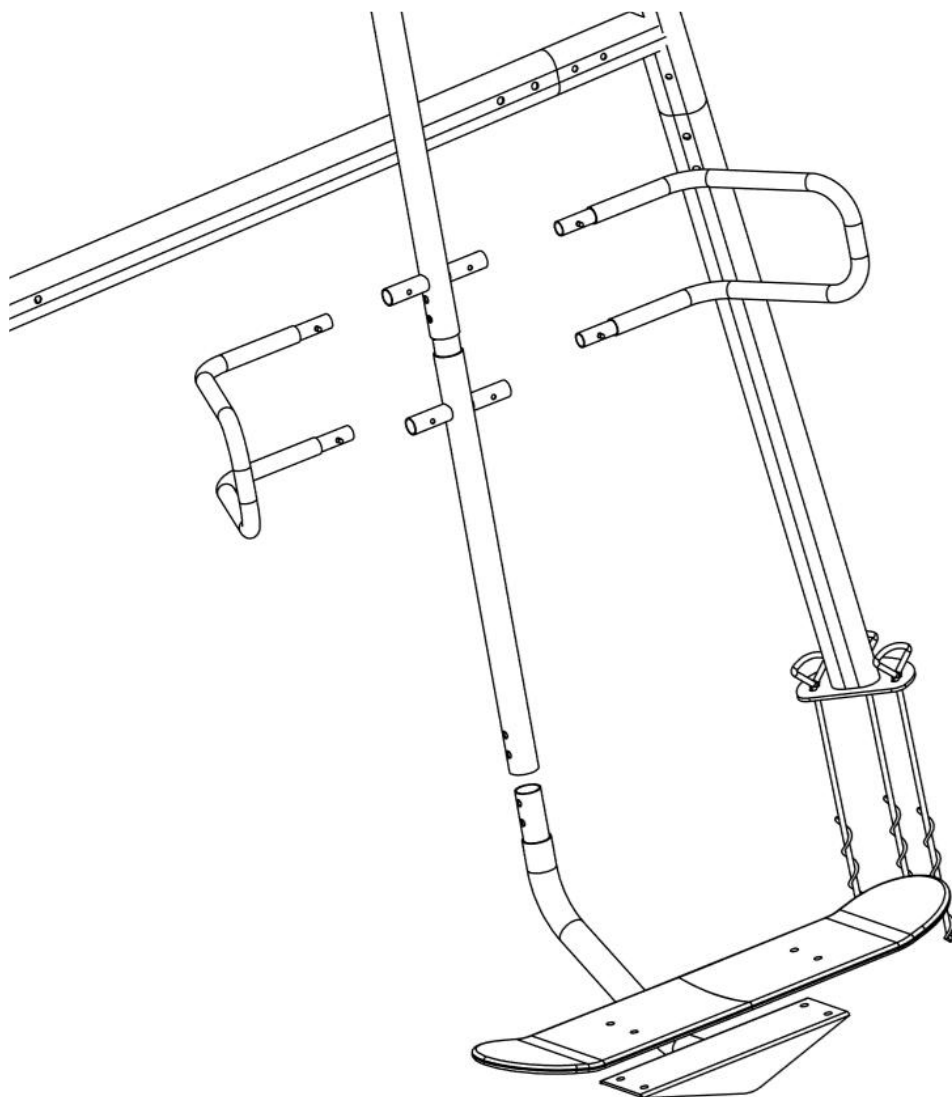
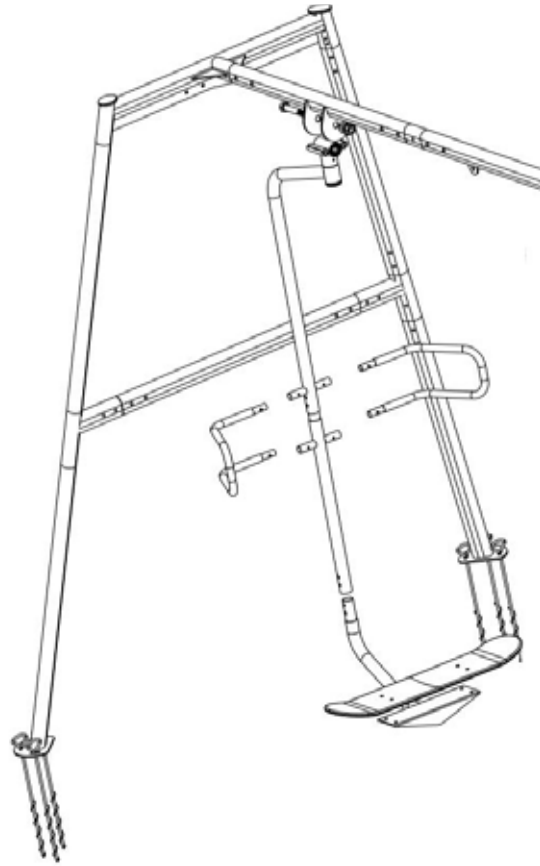
Insert the bolt and firmly secure with the nyloc nut.



### STEP | 3

Insert the Lower Spin Pole into the bottom of the Upper Spin Pole, and insert the Deck Plate into the Lower Spin Pole. Lock them into place with nuts and bolts.

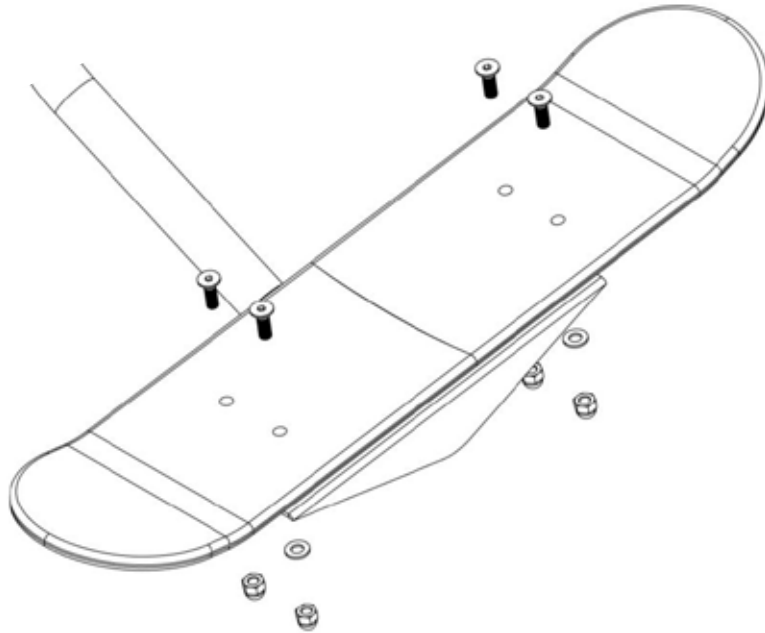
Insert the Spin Handles at the connection between the Upper and Lower Spin Bars. Ensure that the push-buttons securely lock.



## STEP | 4

Position the Deck onto the Deck Plate, ensuring that the holes on both line up.

Insert the four Deck Bolts through the top holes of the Deck, and secure them by tightening the nuts underneath.



---

# CONGRATULATIONS!

You have attached the Spin Swing to your Vuly Max!

---







[vulyplay.com](http://vulyplay.com)