

Attention!

SAFETY INFORMATION, INSTALLATION, CARE AND MAINTENANCE INSTRUCTIONS. READ PRIOR TO ASSEMBLING AND USING THE PRODUCT.

Vuly cares about safety. Adult supervision is required at all times whilst equipment is in use.

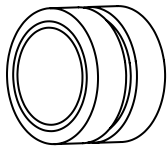
Visit www.vulyplay.com/install for step by step video instructions, or scan this QR code:



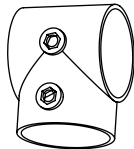
IMPORTANT:

- Ensure that as you follow these instructions, you firmly secure all parts with nuts and bolts.
- Adult supervision is required at all times whilst equipment is in use. Vuly cares about safety.

Parts List



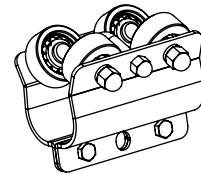
2x Rubber Stopper



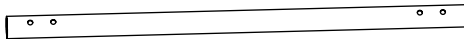
2x T-joiner



2x Carabiner



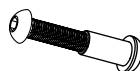
1x Flying Fox Roller



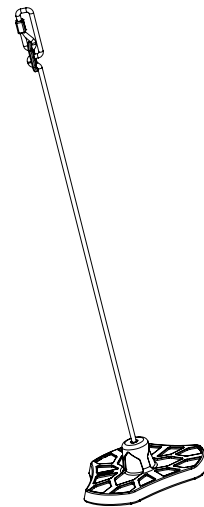
2x Swing Rail



1x Foam Rope



1x Locking Bolt Set



1x Bounce Deck

Instructions

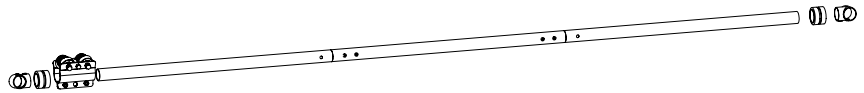
STEP | 1

Connect 1x Swing Rail 1 to either end of Swing Rail 2 to form the Flying Fox Rail. Ensure they are firmly secured with the locking bolt set.



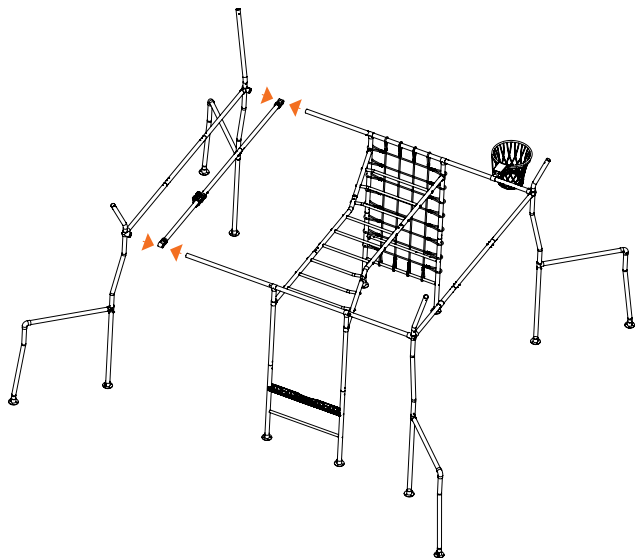
STEP | 2

Slide the Flying Fox Roller over the completed Flying Fox Rail.



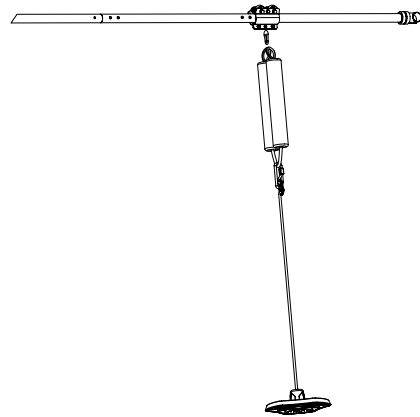
STEP | 3

Slide 2x Rubber Stoppers at the end of the Flying Fox Rail.



STEP | 4

Attach a T-joiner to each end of the Flying Fox Rail.



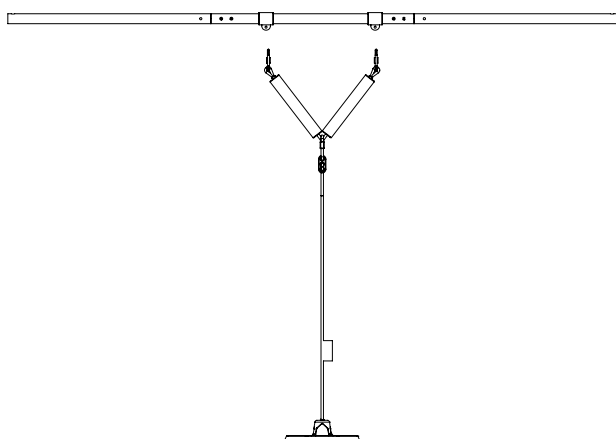
STEP | 5

Slide the open end of the T-Joiner over the Quest Rail.

STEP | 7

Connect the attached Bounce deck onto the Flying Fox Roller, by using one carabiner.

Note: the Bounce deck can be used as Bounce Swing by attaching two carabiners onto Accessory Joiners (sold separately).



STEP | 6

Thread the foam through the top loop of the Bounce deck.

CONGRATULATIONS!

You have attached the Flying Fox to your monkey bar.
