

# Soccer Goal

# MANUAL

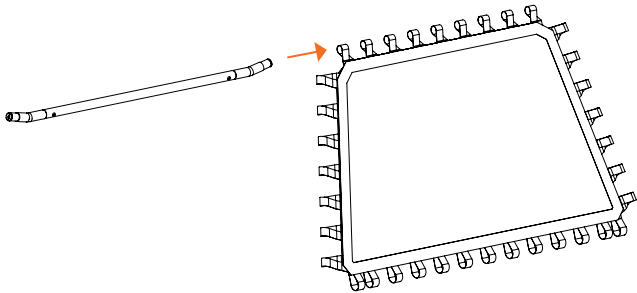
## PARTS LIST

- 1x Goal Mat
- 2x L-Tube
- 2x Side Tube
- 1x Bottom Tube

## INSTALLATION

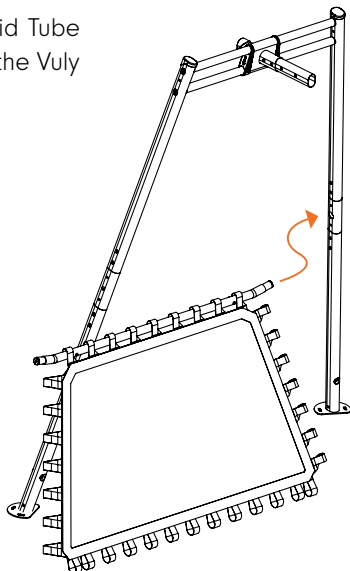
### STEP | 1

Slide the Mid Tube of your swing set through the loops at the top of your Goal Mat.



### STEP | 2

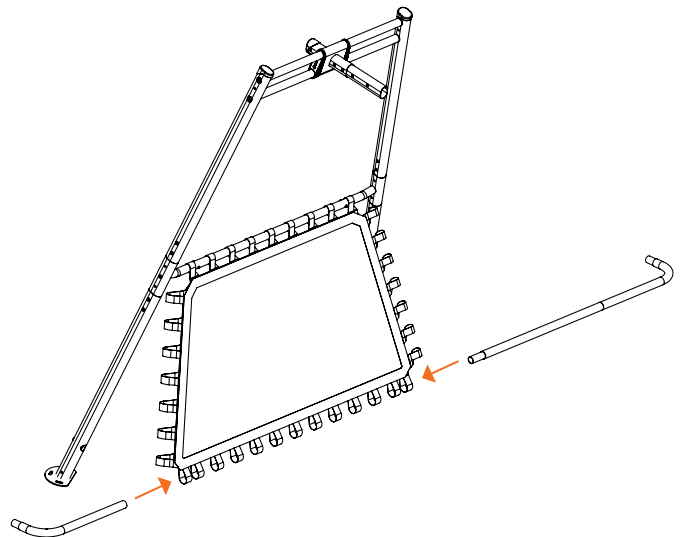
Attach and secure the Mid Tube to your swing set, as per the Vuly Max Manual.



### STEP | 3

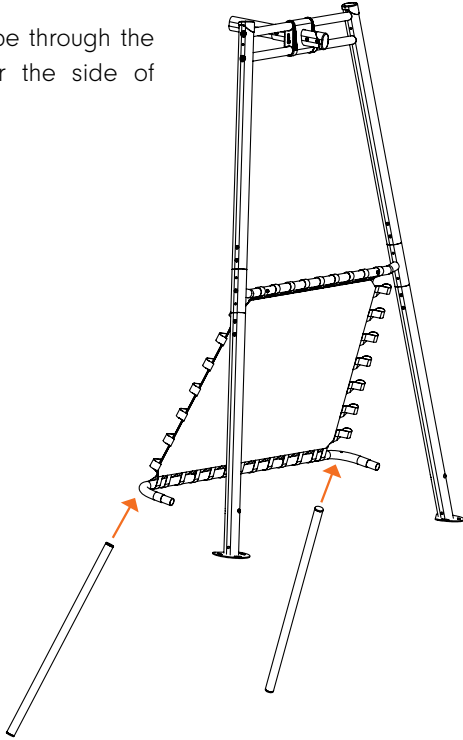
Insert the Bottom Tube into the end of one L-Tube. Slide an L-Tube through either side of the loops at the bottom of your Goal Mat.

**Note:** Ensure that the small holes at the bend of the L-Tubes are facing upwards.



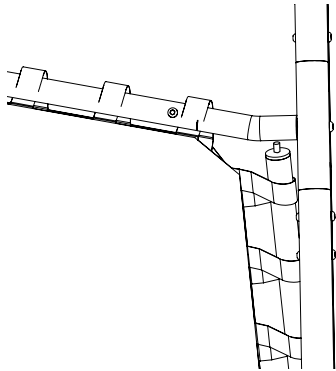
## STEP | 4

Slide a Side Tube through the loops on either the side of your Goal Mat.

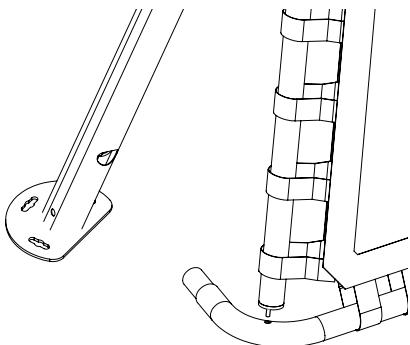


## STEP | 5

A. Push the pins at the tops of the Side Tubes through the holes in the Mid Joiners on your Vuly Max.

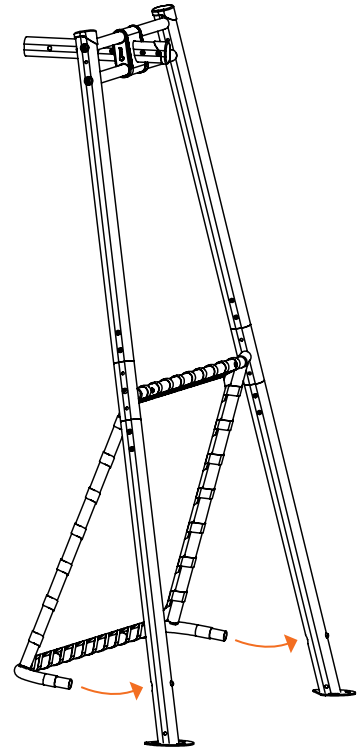


B. Push the pins on the bottoms of the Side Tubes through the holes in the corner of the L-Tubes.



## STEP | 6

Insert the ends of the L-Tubes into the holes in the Leg Tubes on your Vuly Max. Secure with bolts.



---

# CONGRATULATIONS!

You have attached the Soccer Goal  
to your Vuly Max.

---