

 **VULY** | Slam Pro
(In-ground Kit)



ASSEMBLY MANUAL

START HERE

FOR IN-GROUND INSTALLATION

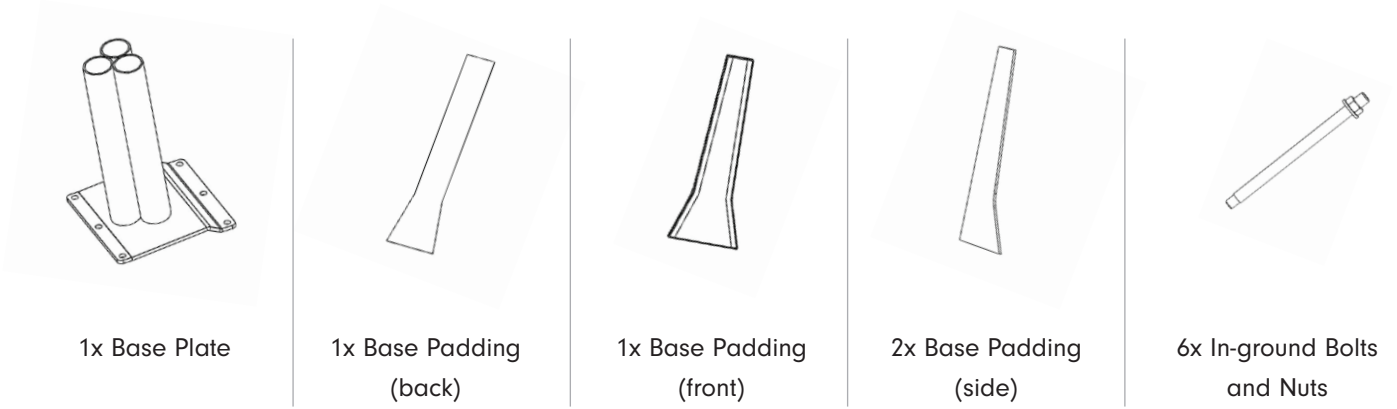
You do not need Slam Pro Box A for in-ground installations.

ATTENTION!

Safety information, installation and use instructions.
Read prior to assembling and using the basketball hoop.

2-PERSON ASSEMBLY

Parts checklist



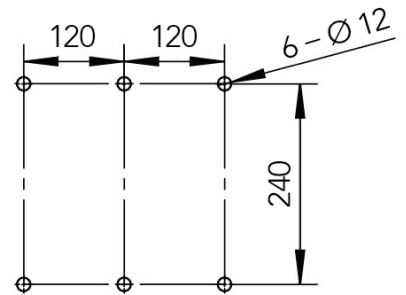
Assembly instructions - In-ground

STEP | 1

Drill holes into the concrete - using a percussion drill - where you want to assemble your Slam Pro.

Follow the measurements shown here, and create the each hole with a 12 mm diameter.

WARNING: Ensure that the concrete is at least 130 mm thick.

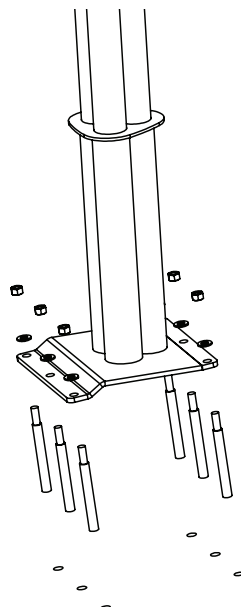


STEP | 2

A. Position the Base Plate over the holes in the concrete, and secure it to the ground tightly using the In-ground Bolts.

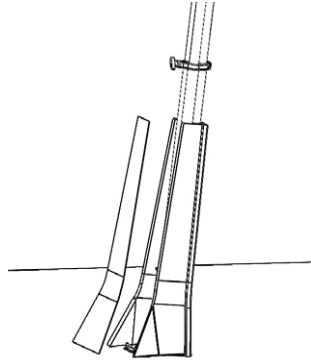
NOTE: Ensure that the Base Plate tilts forwards in the direction that you want the Slam Pro to face.

B. Insert the Telescoping Tube into the Base Plate.



STEP | 3

- A. Attach the Base Padding around the front and sides of the Telescoping Tube and Base Plate, and secure them together with Velcro



- B. Cover the back of the remaining open section with the last piece of Base Padding, and secure it with Velcro

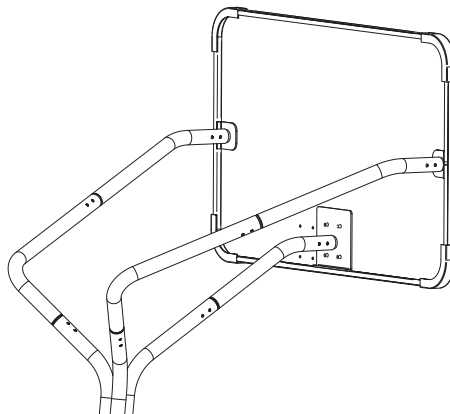
STEP | 4

Assemble the top section of your Slam Pro by following the instructions from **Steps 5 to 7 in your Slam Pro Assembly Manual.**

STEP | 5

- A. Lift your assembled top section onto the top of your Telescoping Tube.

WARNING: Heavy!
Requires 2 adults on 2 separate ladders.



- B. Secure all parts of your Slam Pro by following the instructions from **Steps 12 to 14 in your Slam Pro Assembly Manual.**

CONGRATULATIONS!

You have assembled your In-ground Vuly Slam Pro.





See vulyplay.com/terms for the most recent Vuly warranty policies, terms and conditions.