

ASSEMBLY MANUAL

Attention!

SAFETY INFORMATION, INSTALLATION, CARE AND MAINTENANCE INSTRUCTIONS. READ PRIOR TO ASSEMBLING AND USING THE PRODUCT.

Vuly cares about safety. Adult supervision is required at all times whilst equipment is in use.

Visit www.vulyplay.com/install for step by step video instructions, or scan this QR code:



STEP | 1

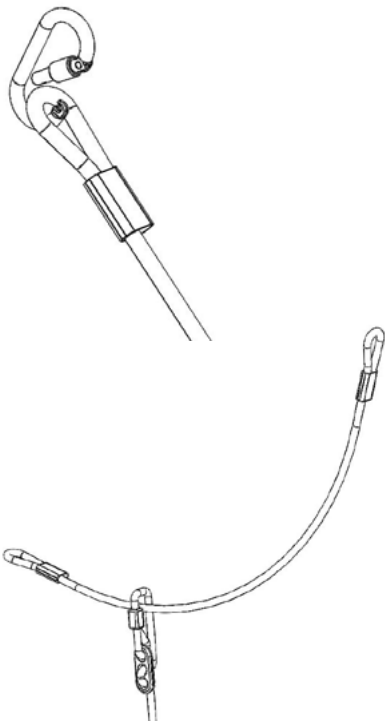
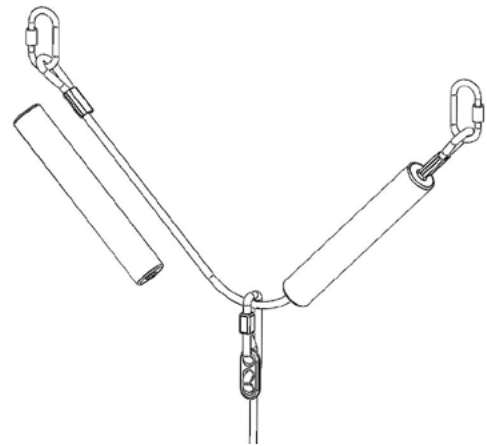
Unpack the components from your bungee box. Your box should contain:

A - 1x Bungee



STEP | 2

If your swing accessory has foam pads on the upper rope remove them.

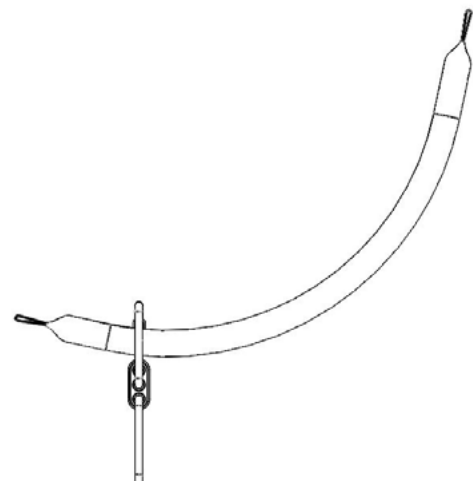


STEP | 3

Remove the carabiners from the upper rope and slide the rope free from the swing base.

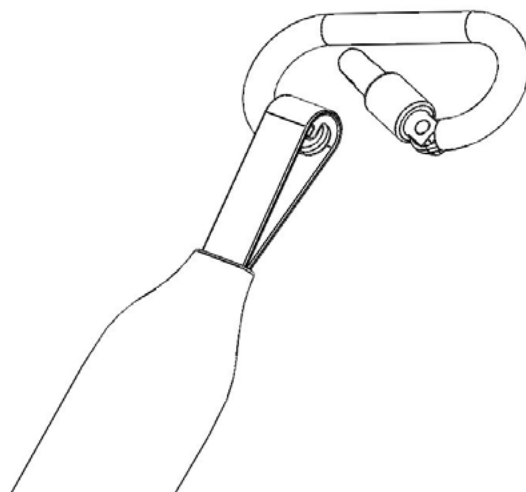
STEP | 4

Insert the bungee into the loop at the top of the swing base rope.



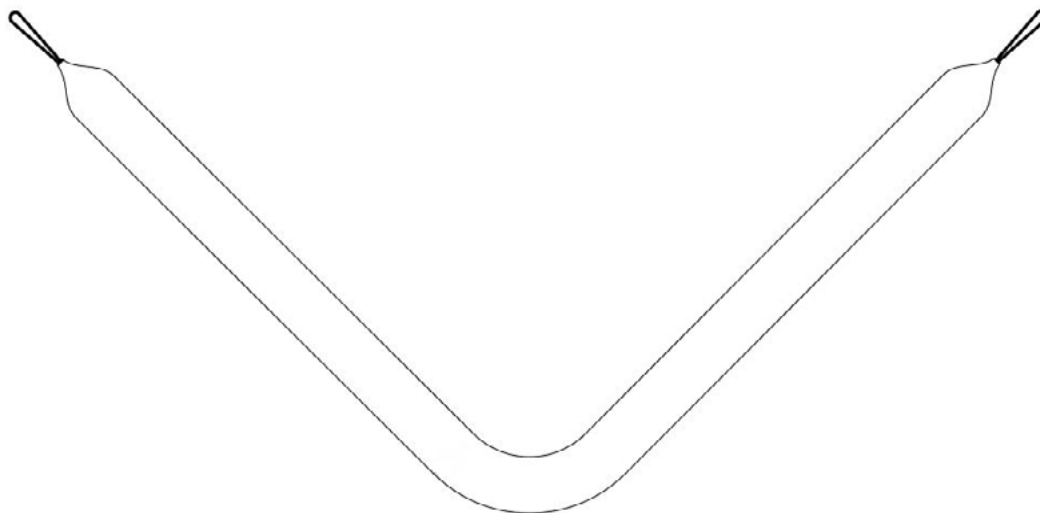
STEP | 5

Attach the carabiners and attach your swing to the 360 swing set.



CONGRATULATIONS!

You have finished assembling your Vuly Bungee.





vulyplay.com