

## Disclaimer

### ATTENTION!

Safety information, installation and use instructions.  
Read prior to installing and using the swings.

See [VulyPlay.com/support](http://VulyPlay.com/support) for any updates to these instructions.

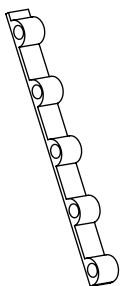


**ADULT SUPERVISION IS REQUIRED AT ALL TIMES** WHILST EQUIPMENT IS IN USE.  
**VULY CARES ABOUT SAFETY.**

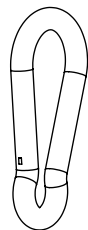
### WARNING!

- Minimum user age – 6 years. Only for domestic and outdoor use.
- Maximum user weight per swing station – 80 kg (175 lb) [65 kg (132 lb) on Spin Swing].
- Maximum combined user weight per swing set section – 150 kg (330 lb).
- Adult assembly required. Adult supervision required at all times.
- Ensure that the Swing Set is secured with anchors or bolts before use.

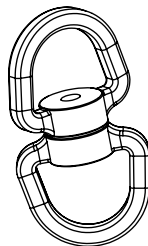
## Parts List



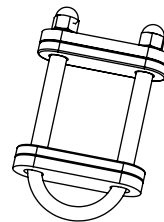
2x Adjust rope



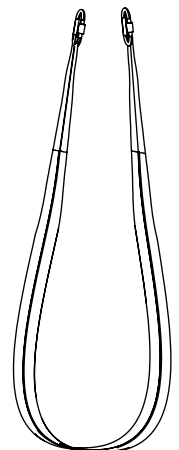
2x Carabiner



1x Vuly swivel



1x Single hanger



1x Yoga with  
big carabiner

## ATTENTION!

If you have a Vuly **Quest Monkey Bar**, please go to **step 5**

**Important:** Please remove Single Hanger from the frame when using different swing attachments, as this may cause a potential head collision.

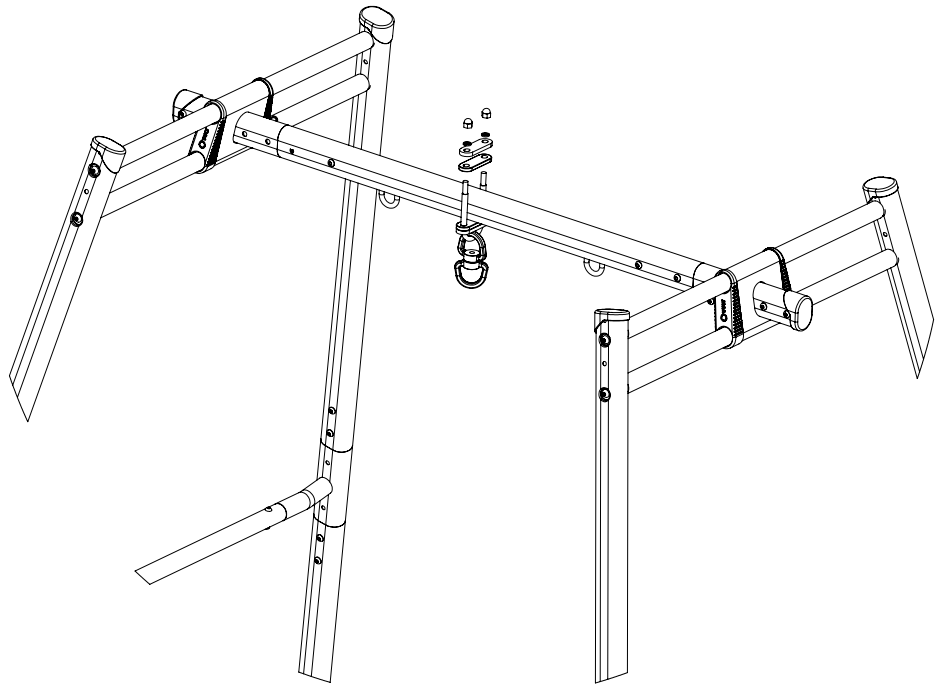
### STEP | 1

Install the Single Hanger onto the Swing Rail.

Secure the U-Bolt onto the Swing Rail by pushing the Single Hanger part up so that the Rubber Tubes grip the Swing Rail.

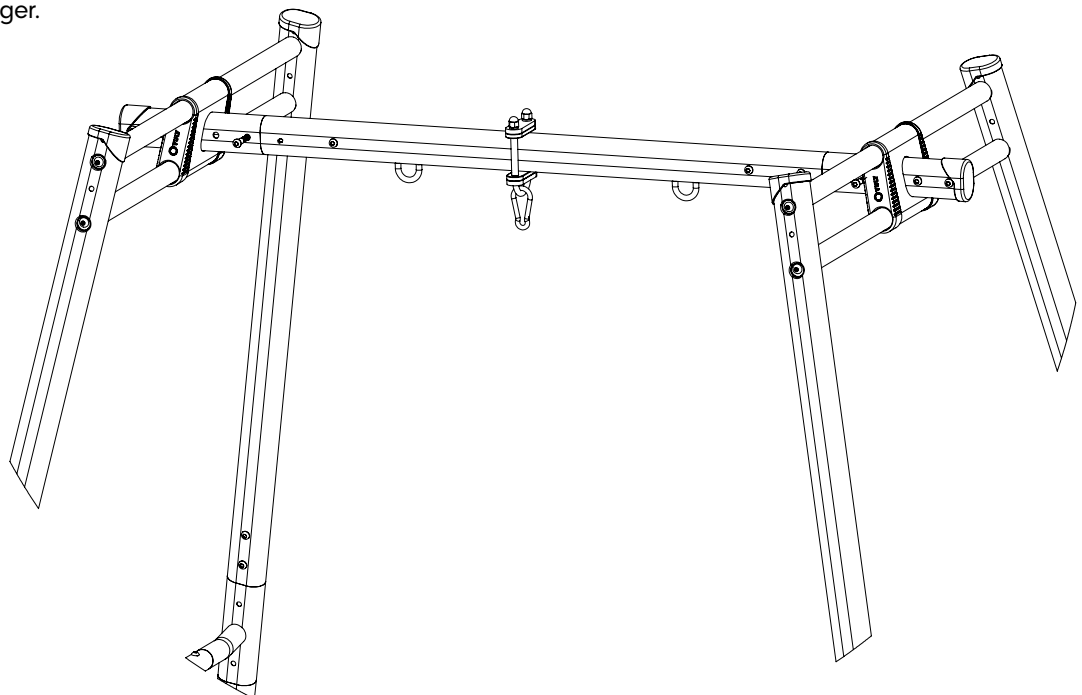
Slide the Rubber Stopper over the top of the U-bolt. Slide the Metal Plate over the top of the Rubber Stopper.

Place a washer on both prongs of the U-bolt and secure the bolts to the top of the U-bolt.



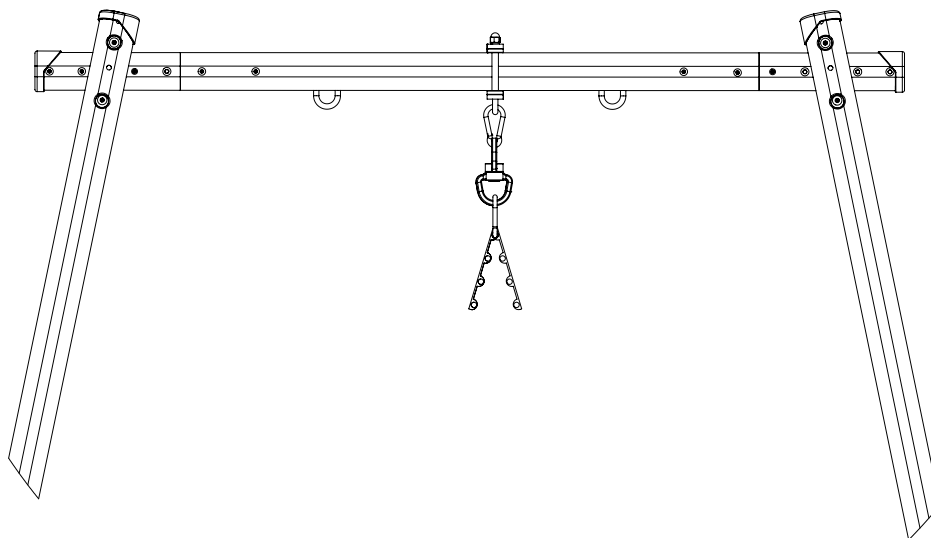
### STEP | 2

Hook 1 carabiner onto the bottom of the Single Hanger.



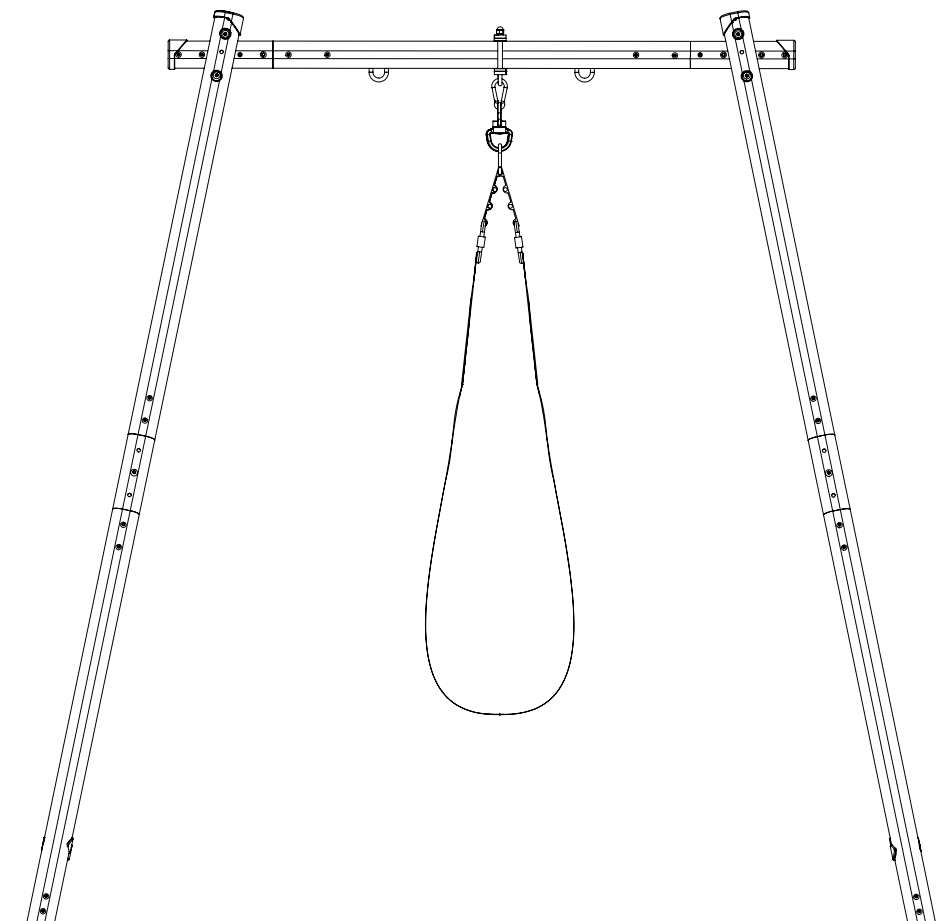
### STEP | 3

Attach the Swivel under the carabiner. Use the additional carabiner to hang the two Yoga Swing adjuster straps, as pictured in the diagram.



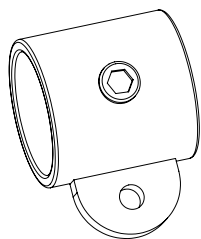
### STEP | 4

Attach the Yoga Swing to the two Yoga Swing adjuster straps with the big carabiners provided. Once completed, your Yoga Swing is now installed!

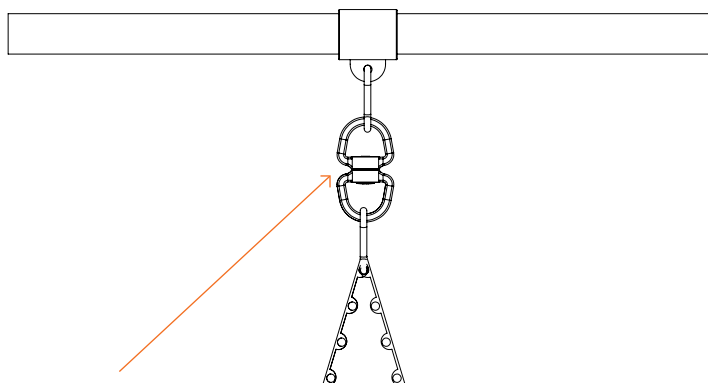


## STEP | 5

To assemble on the Quest, please attach a carabiner to the Accessory Joiners that are installed prior.



Use accessory joiner  
included in Box F.  
Discard SINGLE HANGER.



Attach the carabiner between the Swivel mechanism and Accessory Joiner.

Continue to install the Yoga Swing adjuster straps and Yoga Swing as described in Step 4.

---

# CONGRATULATIONS!

You have attached the 360 Yoga onto your Vuly

---