



Deluxe Sandpit

SMALL

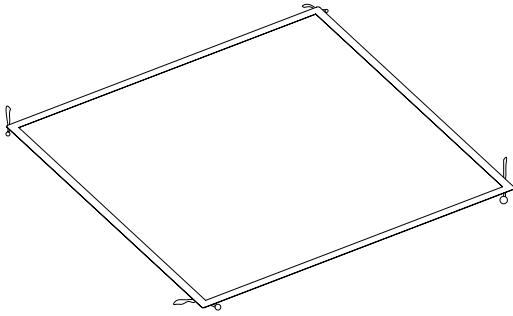


MANUAL

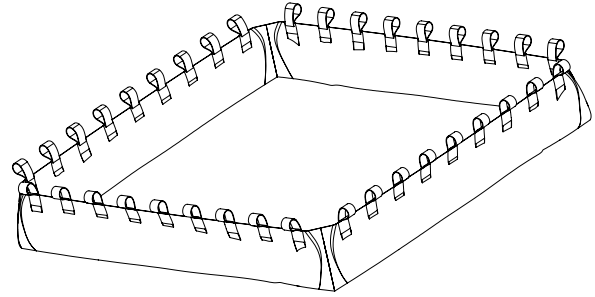
Deluxe Sandpit SMALL

MANUAL

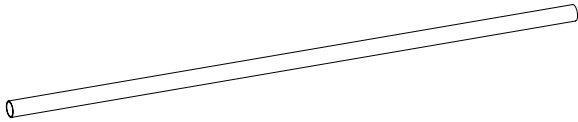
Parts List



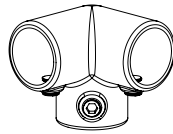
1x Cover



1x Fabric



4x Frame Tube



4x Joiner



4x Leg Tube

Deluxe Sandpit

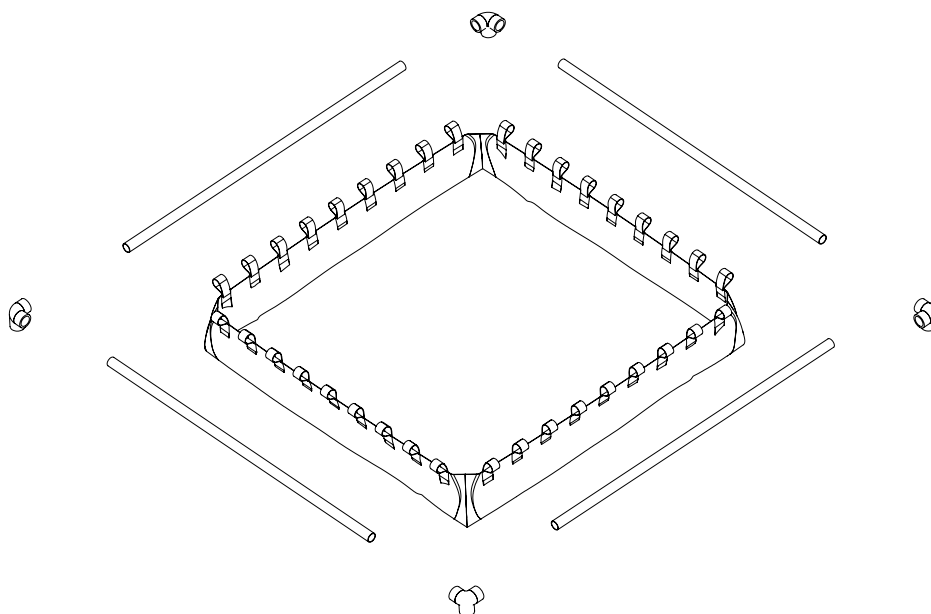
SMALL

MANUAL

STEP | 1

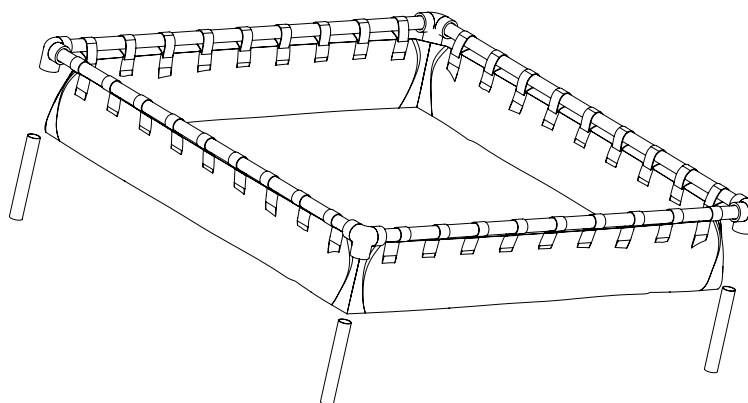
A. Insert a Frame Tube through the loops on each side the Fabric.

Secure each Frame Tube with a Joiner at the end.



STEP | 2

Insert a Leg Tube into the bottom of each Joiner.



STEP | 3

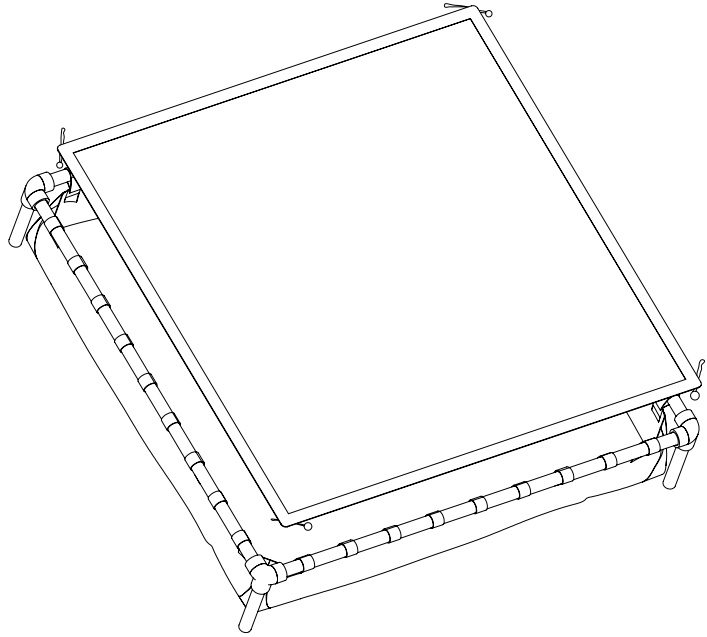
Fill with sand.

Deluxe Sandpit SMALL

MANUAL

STEP | 4

Secure the Cover by looping the toggles at the corners around the Joiners.



CONGRATULATIONS!

You have assembled your Deluxe Sandpit (Small).



ADULT SUPERVISION IS REQUIRED AT ALL TIMES WHILST EQUIPMENT IS IN USE.
VULY CARES ABOUT SAFETY.