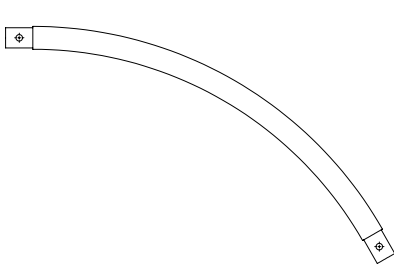
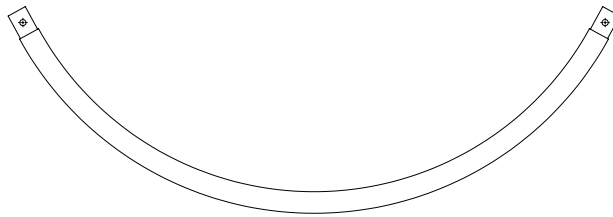


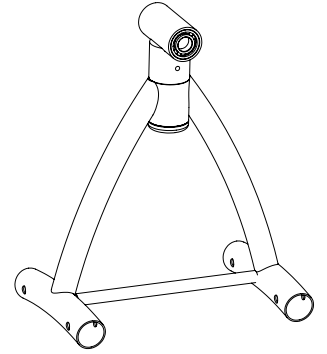
Parts List



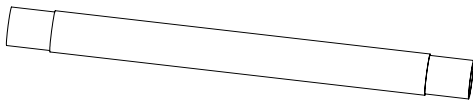
4x Upper Tube



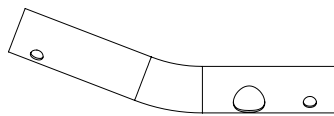
2x Lower Tube



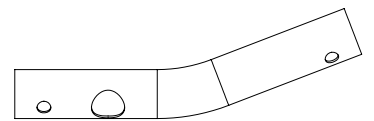
1x Hanging Joiner



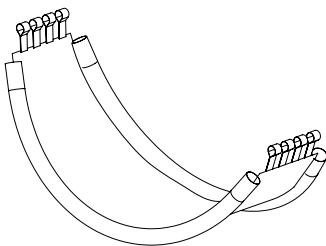
2x Side Tube



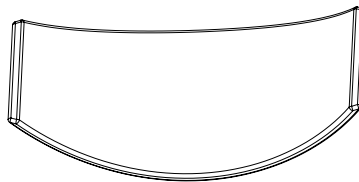
2x Side Joiner (left)



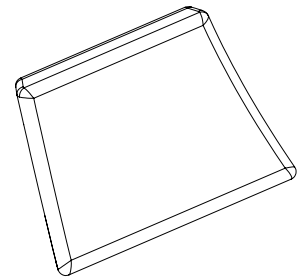
2x Side Joiner (right)



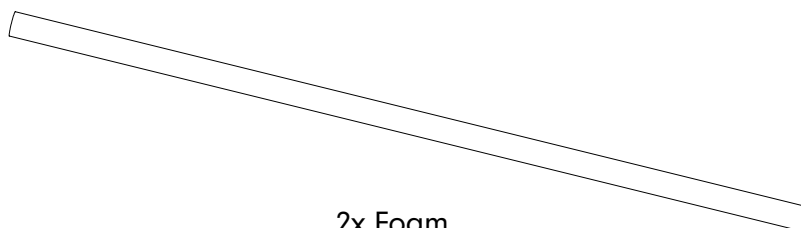
1x Base Mat



1x Padding



2x Pillow



2x Foam

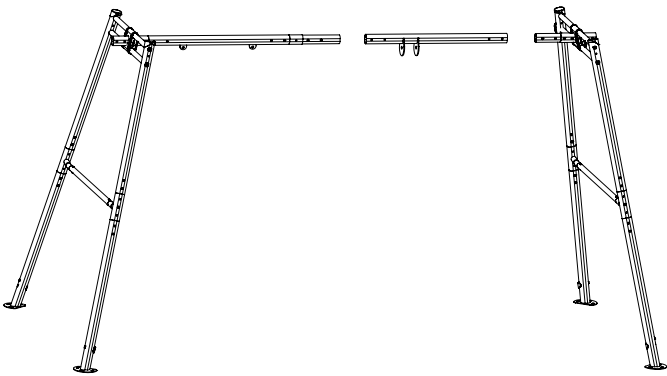
Ring Swing

MANUAL

STEP | 1

Replace a Swing Rail on your swing set with the included Ring Rail.

Ensure that the prongs are closer to the centre than the end of the swing set.

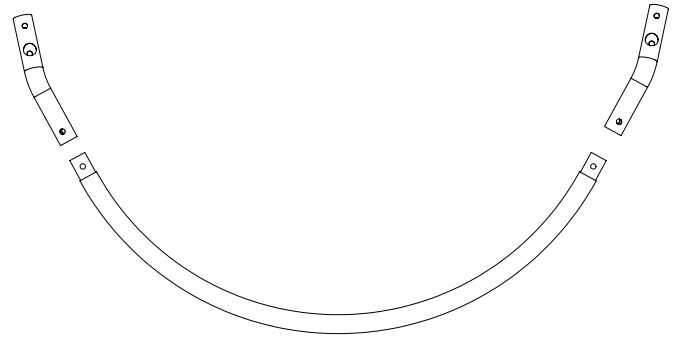


STEP | 2

A. Insert Side Joiners (both left and right) into the corresponding ends of a Lower Tube.

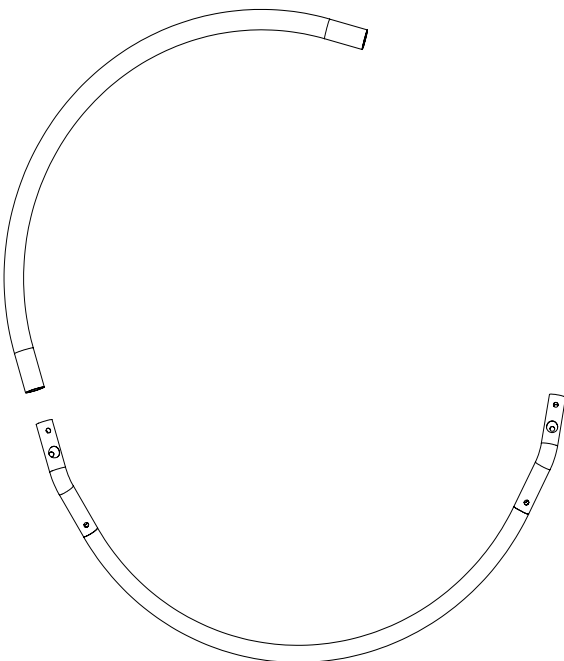
Ensure that the large hole on the Side Joiners is at the top.

B. Repeat for the other Lower Tube.



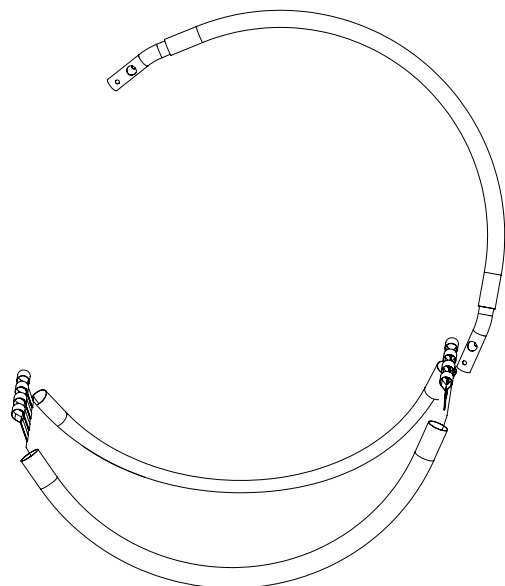
STEP | 3

Slide Foams over both Lower Tubes.



STEP | 4

Insert a completed Lower Tube into the sleeves on both sides of the Base Mat.

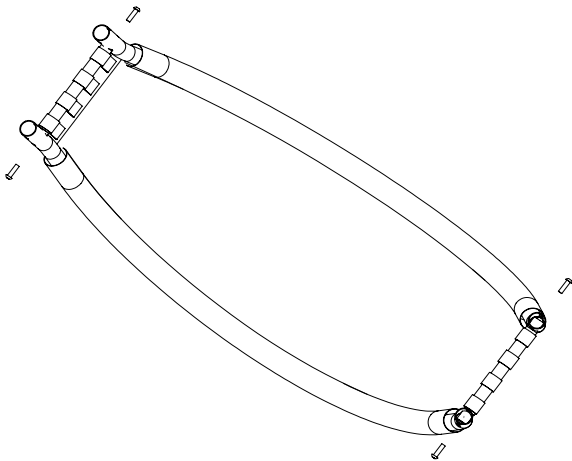


Ring Swing

MANUAL

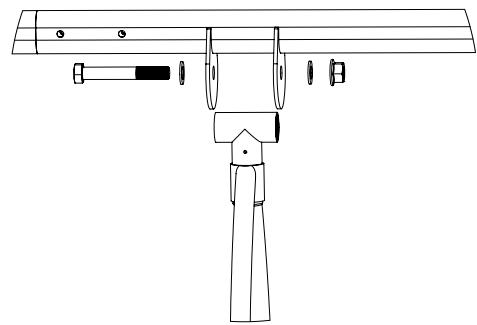
STEP | 5

Insert Side Tubes through the loops between the Left and Right Side Joiners on both sides.



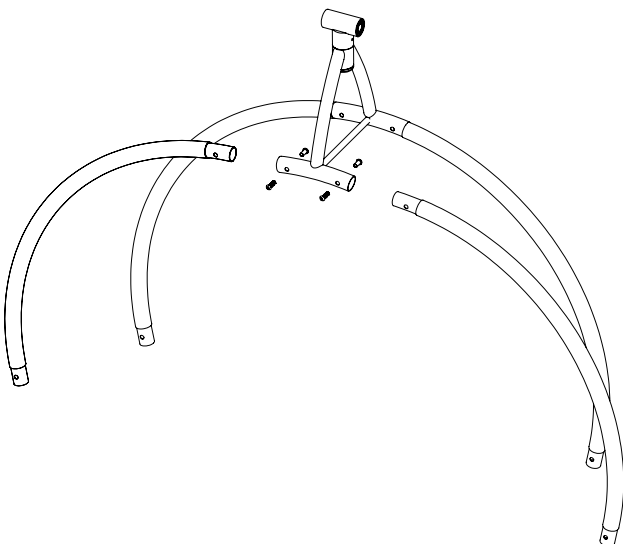
STEP | 6

Attach the Hanging Joiner to the Ring Rail on your swing set, and secure with the large nut and bolt.



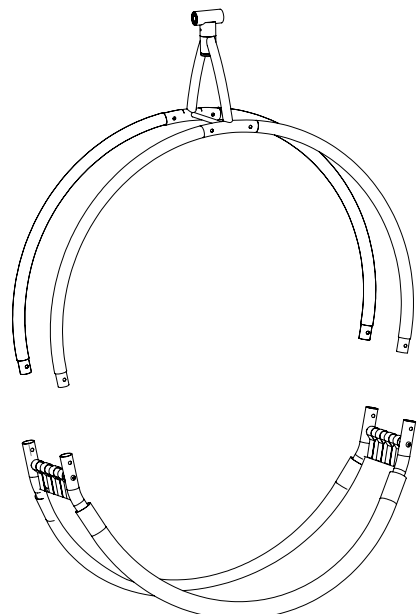
STEP | 7

Insert the Upper Tubes into all four ends of the Hanging Joiner.



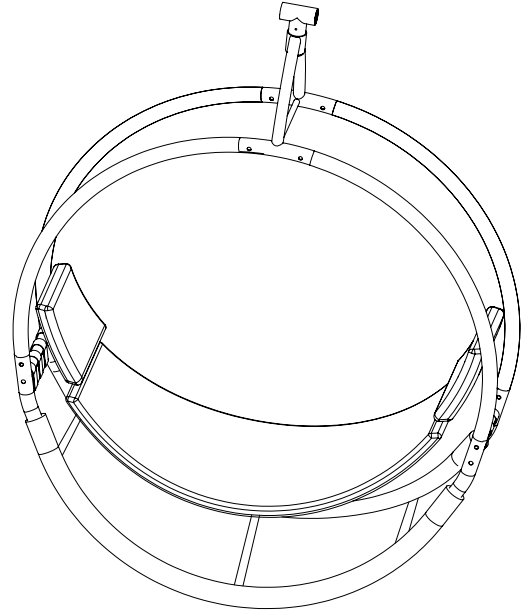
STEP | 8

Insert the Side Joiners on the completed lower half of the Ring Swing into the Upper Tubes.



STEP | 9

Place the Padding in the centre of the Base Mat and the Pillows at the ends. Secure with Velcro.



CONGRATULATIONS!

You have attached the Ring Swing to your Vuly swing set.

DISCLAIMER

ATTENTION!

Safety information, installation and use instructions. Read prior to installing and using the swings.

See [VulyPlay.com/support](https://www.vulyplay.com/support) for any updates to these instructions.

WARNING!

- Minimum user age - 6 years. Only for domestic and outdoor use.
- Maximum user weight per swing station - 80 kg (175 lb) [65 kg (132 lb) on Spin Swing].
- Maximum combined user weight per swing set section - 150 kg (330 lb).
- Adult assembly required. Adult supervision required at all times.
- Ensure that the Swing Set is secured with anchors or bolts before use.



ADULT SUPERVISION IS REQUIRED AT ALL TIMES WHILST EQUIPMENT IS IN USE.
VULY CARES ABOUT SAFETY.